



US00D808635S

(12) **United States Design Patent** (10) **Patent No.:** **US D808,635 S**
Ma (45) **Date of Patent:** **** Jan. 30, 2018**

(54) **UMBRELLA RUNNER**

FOREIGN PATENT DOCUMENTS

(71) Applicant: **Zhun-An Ma**, Arcadia, CA (US)

CN 202190859 4/2012
DE 3820573 8/1989

(72) Inventor: **Zhun-An Ma**, Arcadia, CA (US)

(Continued)

(**) Term: **15 Years**

OTHER PUBLICATIONS

(21) Appl. No.: **29/581,444**

Operation Manual Easy Sun Parasol Sunshade (Issue: Jul. 2004) pp. 1-17.

(22) Filed: **Oct. 19, 2016**

(Continued)

(51) **LOC (11) Cl.** **03-30**

Primary Examiner — John Windmuller

(52) **U.S. Cl.**

Assistant Examiner — Benjamin Weeks

USPC **D3/10**

(58) **Field of Classification Search**

(74) *Attorney, Agent, or Firm* — Knobbe, Martens, Olson & Bear, LLP

USPC D3/10, 5, 6; D8/356, 396, 72, 395, 10,
D8/103, 105, 106, 119, 308, 309, 310;
D9/424, 453; D13/149, 154; D24/143,
D24/128

(57) **CLAIM**

CPC B65H 35/0026; F16L 23/06; F16L 23/04;
F16L 3/23; F16L 23/10

The ornamental designs for an umbrella runner, as shown and described.

See application file for complete search history.

DESCRIPTION

(56) **References Cited**

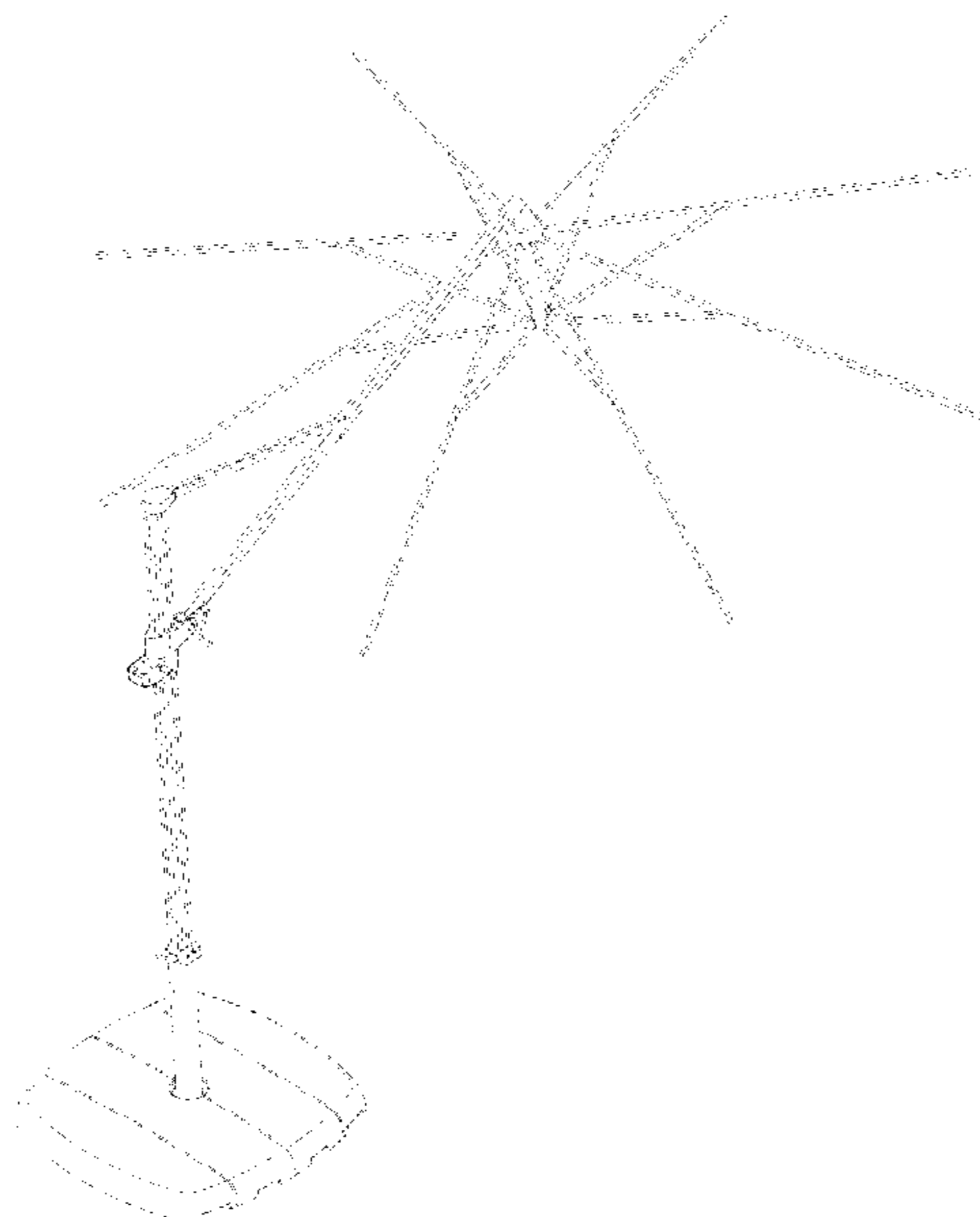
FIG. 1 is a perspective view of a portion of one embodiment of my designs as illustrated in FIG. 2 showing an umbrella in phantom lining, an umbrella being one non-limiting environment in which the new designs can be used;
FIG. 2 is a top perspective view of one embodiment of an umbrella runner;
FIG. 3 is a bottom perspective view of the embodiment of FIG. 2;
FIG. 4 is a front view of the embodiment of FIG. 2;
FIG. 5 is a rear view of the embodiment of FIG. 2;
FIG. 6 is a right side view of the embodiment of FIG. 2;
FIG. 7 is a left side view of the embodiment of FIG. 2;
FIG. 8 is a top view of the embodiment of FIG. 2; and,
FIG. 9 is a bottom view of the embodiment of FIG. 2.
The broken lines in the figures represent environment and portions of the umbrella runner that form no part of the claimed design.

U.S. PATENT DOCUMENTS

90,883 A 6/1869 Smith
D33,847 S 1/1901 Gaskill
878,270 A 2/1908 Blake et al.
911,169 A 2/1909 Smith
919,954 A 4/1909 Riehl
941,952 A 11/1909 Riehl
950,913 A 3/1910 Hartzell
956,396 A 4/1910 Mills et al.
956,657 A 5/1910 Wetteroth
957,528 A 5/1910 Wetteroth
D45,227 S 2/1914 Glauber
1,136,887 A 4/1915 Penn
1,264,799 A 8/1916 Howard
1,235,296 A 7/1917 Dillingham
1,243,594 A 10/1917 Dillingham

(Continued)

1 Claim, 8 Drawing Sheets



(56)

References Cited

U.S. PATENT DOCUMENTS

1,255,627 A	2/1918	Morrow et al.	6,311,707 B1	11/2001	Wu et al.
1,268,354 A	6/1918	Howard	6,314,976 B1	11/2001	Clarke
D90,772 S	9/1933	Kasch	6,354,042 B1	3/2002	Kuo
D127,735 S	6/1941	Dreyfuss	6,371,141 B1	4/2002	Lin et al.
2,447,972 A	8/1948	Weinert	6,371,686 B1	4/2002	Wu
2,469,637 A	5/1949	Evans et al.	6,386,214 B1	5/2002	Clarke
2,475,406 A	7/1949	Russell	6,386,215 B1	5/2002	Chang
D162,678 S	3/1951	Muller-Munk	6,412,506 B1	7/2002	Reese
D167,619 S	9/1952	Coran	6,422,251 B1	7/2002	Tseng
2,762,383 A	9/1956	Wittman	6,435,444 B1	8/2002	Lin
2,937,653 A	5/1960	Danciart et al.	6,478,037 B2	11/2002	Tung
D190,597 S	6/1961	Nelson	6,571,813 B2	6/2003	Lin et al.
3,120,238 A	2/1964	Glatz	6,575,182 B2	6/2003	Tung
3,145,720 A	8/1964	Torii	6,575,183 B2	6/2003	Tung
3,424,180 A	1/1969	Giancarlo	D477,458 S	7/2003	Goldwitz
3,856,032 A	12/1974	Schafer	6,588,438 B1	7/2003	Steiner
D265,498 S	7/1982	Paul	D478,416 S	8/2003	Clarke
4,368,749 A	1/1983	Lindler et al.	6,619,306 B2	9/2003	Ma
D276,838 S	12/1984	Hill et al.	6,662,815 B2	12/2003	Tung
D278,029 S	3/1985	Suponitsky	6,732,753 B2	5/2004	Chang
4,576,191 A	3/1986	Schultes et al.	6,758,229 B2	7/2004	Wang
4,586,525 A	5/1986	Glatz et al.	D497,478 S	10/2004	Clarke
4,622,987 A	11/1986	Redl et al.	D497,479 S	10/2004	Yu
4,674,523 A	6/1987	Glatz	6,837,255 B2	1/2005	Bunch et al.
4,697,606 A	10/1987	Ma	6,851,823 B2	2/2005	Bilotti
4,811,670 A	3/1989	Kolvites et al.	D503,035 S	3/2005	Ko
4,878,509 A	11/1989	Tung	D503,272 S	3/2005	MacHin et al.
5,002,081 A	3/1991	Stromeyer	6,889,699 B2	5/2005	Clarke
5,029,596 A	7/1991	Tung	6,923,193 B2	8/2005	Chen
D320,111 S	9/1991	Ma	6,941,960 B2	9/2005	Huang
5,050,627 A	9/1991	Hengtzu	D513,471 S	1/2006	Sato et al.
D321,779 S	11/1991	Ma	D515,222 S	2/2006	Kieffer
5,144,780 A	9/1992	Gieling et al.	7,000,624 B2	2/2006	Chang
D344,786 S	3/1994	Short et al.	D518,629 S	4/2006	Ma
5,349,975 A	9/1994	Valdner	D525,721 S	7/2006	Landes
5,357,994 A	10/1994	Chung	7,082,953 B2	8/2006	Liu
D360,522 S	7/1995	Ko	7,089,950 B2	8/2006	Lin
5,499,644 A	3/1996	Geniele	7,134,442 B2	11/2006	Ma
D372,854 S	8/1996	Jimenez	D539,632 S	4/2007	Ma
D376,974 S *	12/1996	Chen 24/274 WB	D545,184 S	6/2007	Hanamura
5,584,564 A	12/1996	Phyle	D549,285 S	8/2007	Chen
5,588,455 A	12/1996	Kuo	7,293,573 B2	11/2007	Clarke
5,611,364 A	3/1997	Woods et al.	D558,444 S	1/2008	Ma
5,655,557 A	8/1997	Martin	7,318,444 B2	1/2008	Clakre
5,740,823 A	4/1998	Lin et al.	7,328,715 B2	2/2008	Neubardt
5,746,235 A	5/1998	Lin	7,341,068 B2	3/2008	Liu
5,785,069 A	7/1998	Glatz	D577,423 S *	9/2008	Dole D23/265
D397,054 S	8/1998	Brantley et al.	7,546,845 B2	6/2009	Prusmack
5,794,637 A	8/1998	Figueroa	7,556,051 B2	7/2009	Lai
D398,443 S	9/1998	Bolle	D597,822 S *	8/2009	Olsen D8/356
5,809,734 A	9/1998	Turner	D600,326 S *	9/2009	Gibb D23/265
D400,777 S	11/1998	Carsello	D602,686 S	10/2009	Patzak
5,884,645 A	3/1999	Chen et al.	7,647,936 B1	1/2010	Chen
D408,621 S	4/1999	Kuo	7,665,477 B1	2/2010	Hathaway
5,899,210 A	5/1999	Letherby et al.	7,686,024 B1	3/2010	Lai
D410,862 S	6/1999	Milhov	7,703,464 B2	4/2010	Ma
5,937,882 A	8/1999	Harbaugh	7,708,022 B2	5/2010	Ma
5,960,806 A	10/1999	Steiner	D623,396 S	9/2010	He
6,014,980 A	1/2000	Glatz	D626,324 S	11/2010	Ma
6,076,540 A	6/2000	You	D631,243 S	1/2011	Forthuber et al.
D434,215 S	11/2000	Lin	7,861,734 B2	1/2011	Ma
D434,476 S	11/2000	Meda	7,891,367 B2	2/2011	Ma
6,145,523 A	11/2000	Lo	7,900,643 B2	3/2011	Ma
6,152,156 A	11/2000	Tung	7,913,708 B2	3/2011	Yung
D434,556 S	12/2000	Lin	D644,832 S	9/2011	Patzak
6,192,907 B1	2/2001	Wu	D649,641 S *	11/2011	Guttulrsrud D24/143
D438,783 S *	3/2001	Elliott F16L 23/10 D8/396	8,061,375 B2	11/2011	Ma
6,220,261 B1	4/2001	Glatz	8,082,935 B2	12/2011	Ma
6,230,728 B1	5/2001	Reese	8,096,310 B2	1/2012	Clarke
6,247,483 B1	6/2001	Rung	D662,064 S *	6/2012	Natoli D13/151
6,298,867 B1	10/2001	Chang	D668,446 S *	10/2012	Patzak D3/10
6,305,394 B1	10/2001	Reese	D669,555 S	10/2012	Jaworski et al.
6,311,705 B1	11/2001	Ma	8,443,819 B2	5/2013	Beaulieu
6,311,706 B1	11/2001	Sato	D687,102 S *	7/2013	Chandaria D19/69
			D698,320 S *	1/2014	Condo D13/154
			D700,835 S *	3/2014	Langlois D8/396
			D711,730 S *	8/2014	McKiernan D8/396
			D719,343 S	12/2014	Ma

(56)

References Cited

U.S. PATENT DOCUMENTS

8,961,340 B2 * 2/2015 Boatwright A63B 59/0044
248/316.5
D738,609 S 9/2015 Ma
D738,610 S 9/2015 Ma
D741,701 S * 10/2015 McNeil D8/356
D748,464 S 2/2016 Kury
D749,835 S * 2/2016 Whitaker D3/10
D758,177 S * 6/2016 Riccione D8/396
D760,486 S 7/2016 Patzak
D766,711 S * 9/2016 Babbage D8/394
D770,886 S * 11/2016 Whitaker D8/394
D781,787 S * 3/2017 Spiel D13/149
D782,179 S 3/2017 Ma
2002/0083969 A1 7/2002 Tung
2002/0129843 A1 9/2002 Wang
2002/0139405 A1 10/2002 Lee
2003/0015230 A1 1/2003 Glatz
2004/0031513 A1 2/2004 Bunch et al.
2004/0055627 A1 3/2004 Moga
2004/0055628 A1 3/2004 Yu
2004/0069333 A1 4/2004 Ma
2004/0154525 A1 8/2004 Wirth et al.
2004/0182429 A1 9/2004 Chen
2004/0206382 A1 10/2004 Clarke
2004/0206383 A1 10/2004 Clarke
2005/0098200 A1 5/2005 Su
2005/0115599 A1 6/2005 You
2005/0194027 A1 9/2005 Ko
2005/0241687 A1 11/2005 Ko
2006/0005867 A1 1/2006 Chang
2006/0151019 A1 7/2006 Lo
2007/0113878 A1 5/2007 Ko
2008/0066793 A1 3/2008 Ma
2008/0202570 A1 8/2008 Clarke

2009/0007945 A1 1/2009 Ma
2009/0014041 A1 1/2009 Li
2009/0260664 A1 10/2009 Ma
2010/0132165 A1* 6/2010 Shor F16L 23/04
24/19
2010/0139724 A1 6/2010 Lai
2010/0139725 A1 6/2010 Lai
2011/0017249 A1 1/2011 Ma
2011/0061694 A1 3/2011 Vanderminden, Sr.
2011/0132418 A1 6/2011 Ma
2011/0209732 A1 9/2011 Ma
2011/0214705 A1 9/2011 Ma
2011/0277800 A1 11/2011 Tung
2012/0227221 A1* 9/2012 Whitaker A61M 39/1011
24/459
2013/0152984 A1 6/2013 Chou
2013/0276843 A1 10/2013 Ma
2014/0020725 A1 1/2014 Ma
2014/0096803 A1 4/2014 Siegenthaler
2014/0251394 A1 9/2014 Ma

FOREIGN PATENT DOCUMENTS

FR 2672781 A3 8/1992
JP 2006-110317 A 4/2006
JP 2007-222591 9/2007
JP 2008-142310 6/2008
WO WO 2005/058089 6/2005

OTHER PUBLICATIONS

Activa Leisure, 2010 Product Catalog.
Treasure Garden, Inc., Collections 2015, Product Catalog, including front and rear covers.

* cited by examiner

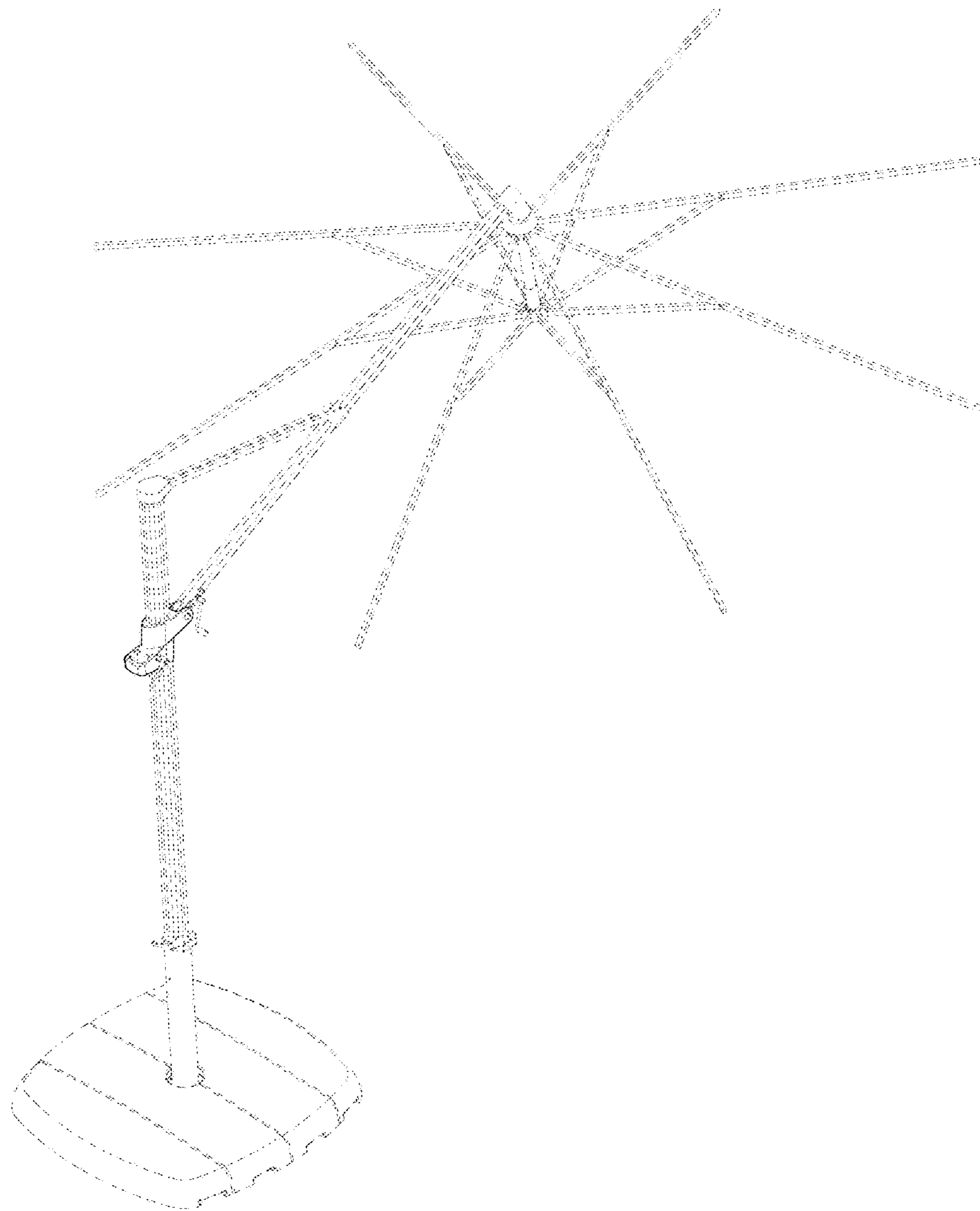


FIG. 1

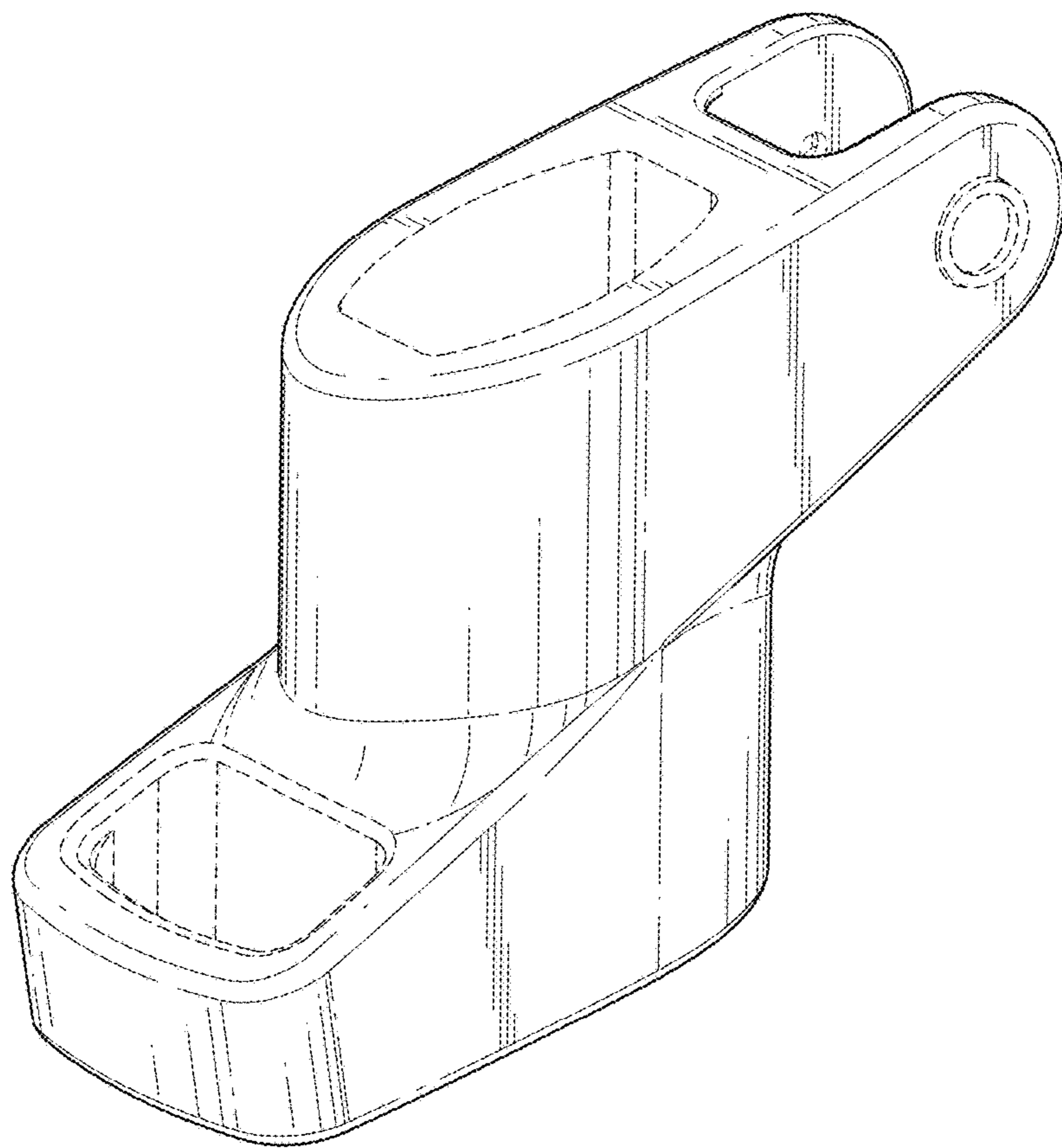


FIG. 2

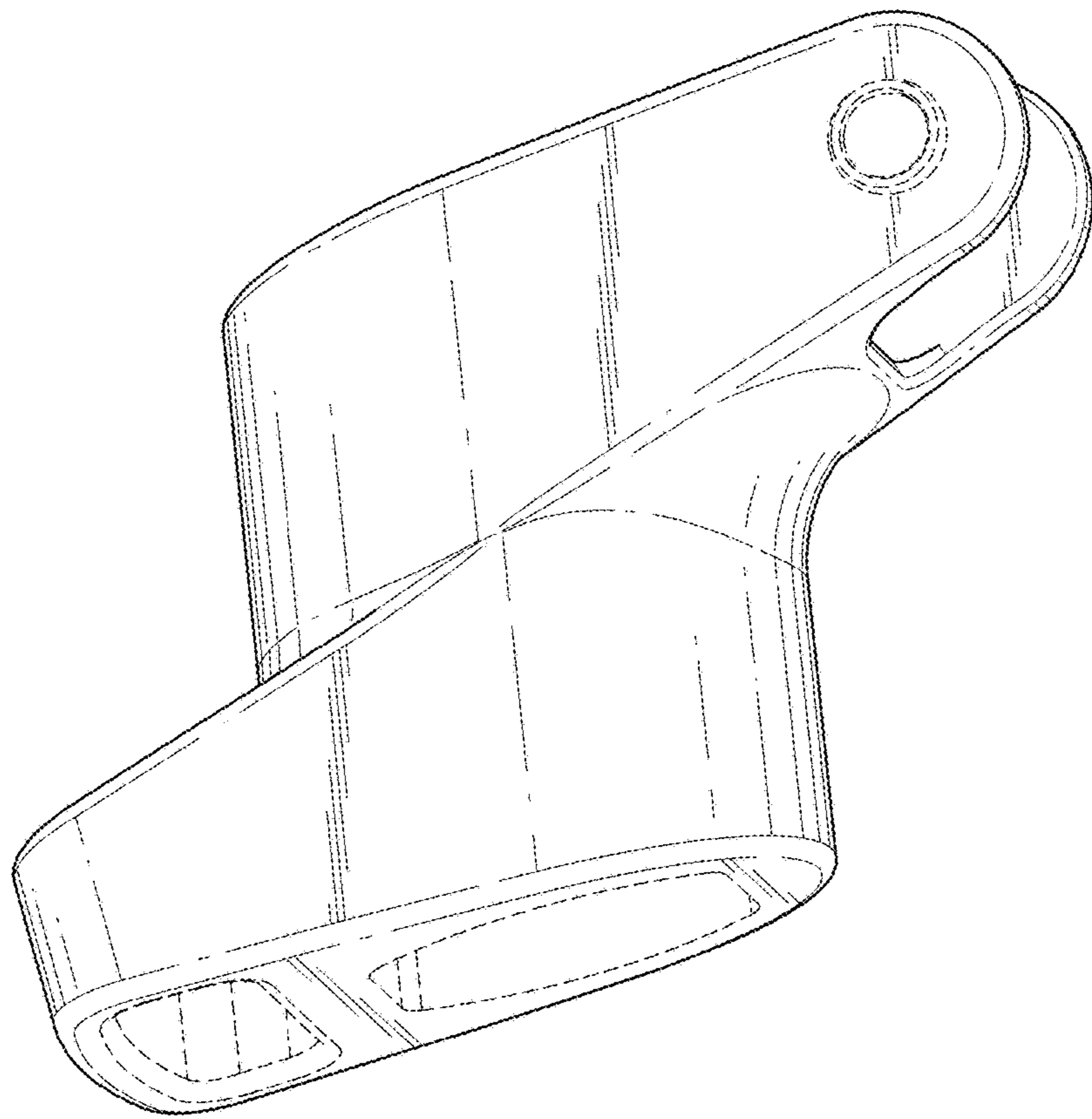


FIG. 3

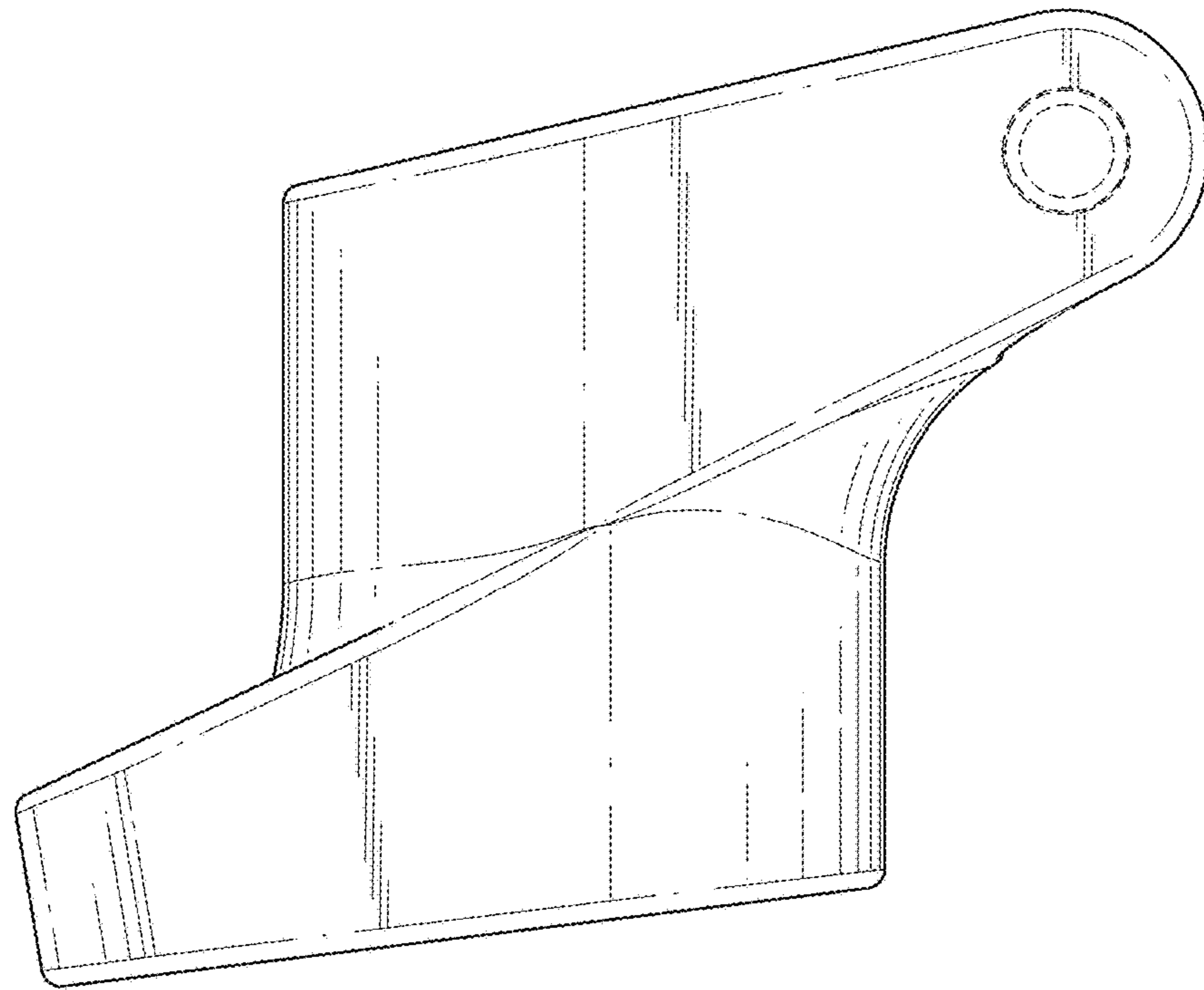


FIG. 4

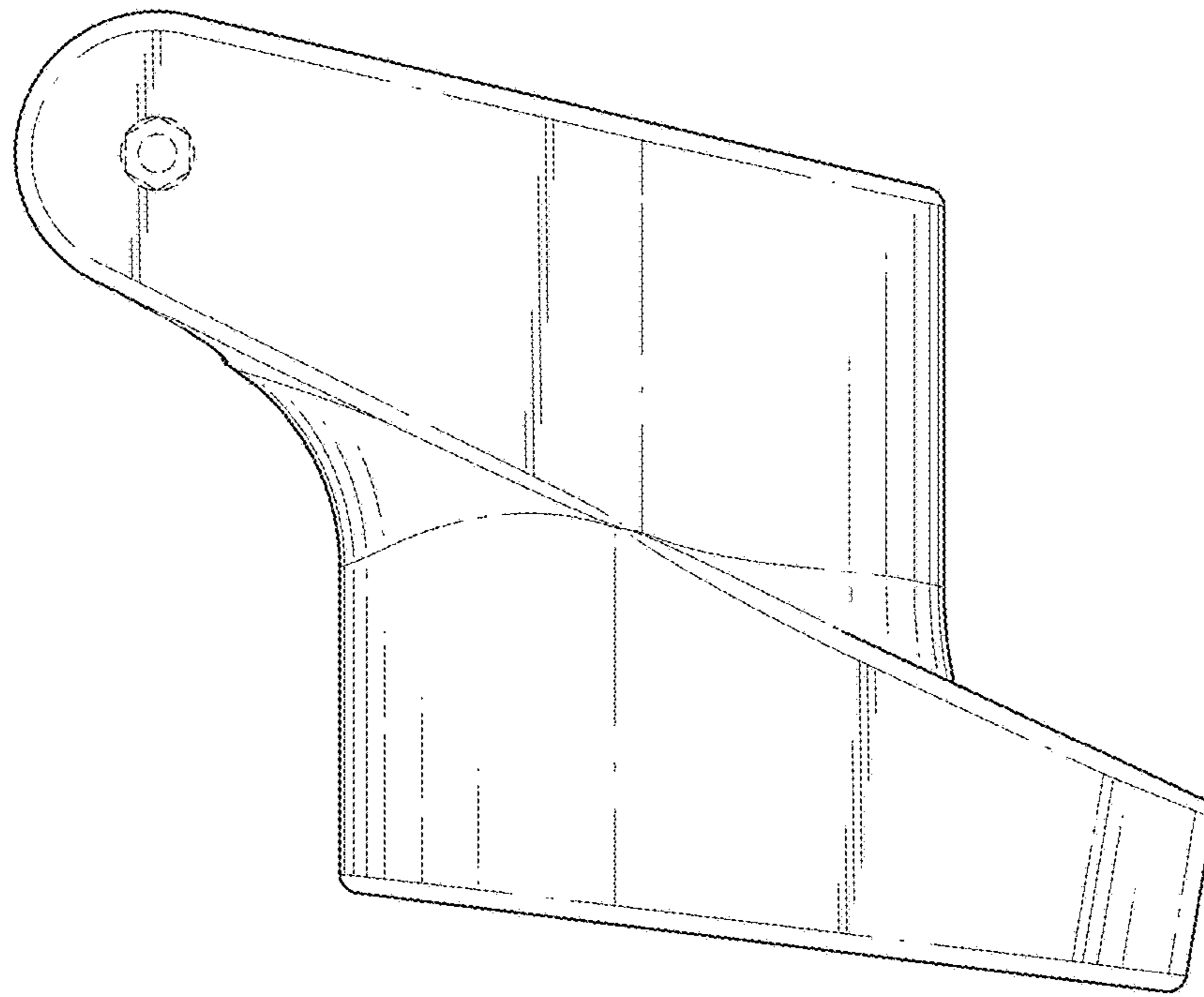


FIG. 5

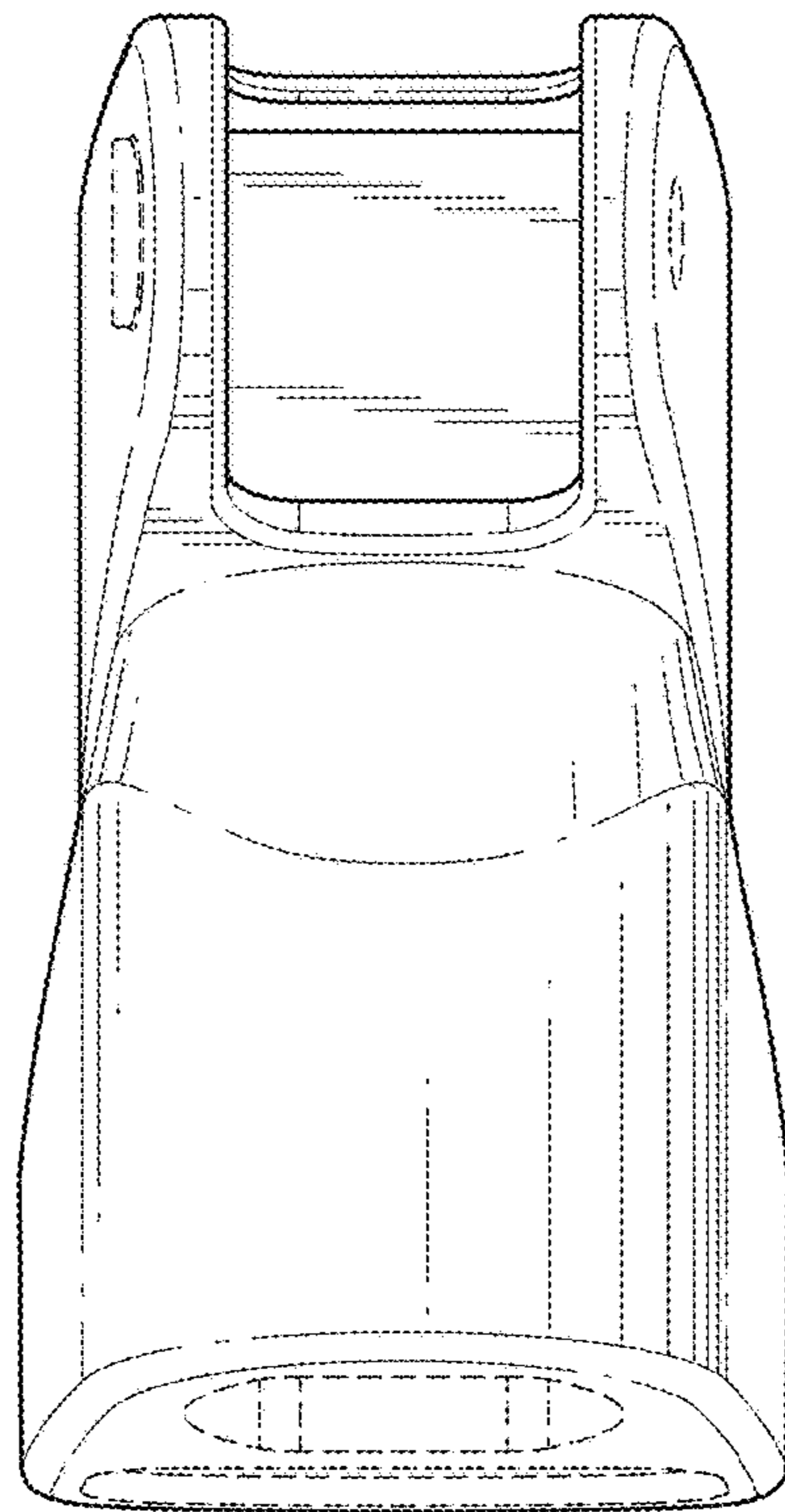


FIG. 6

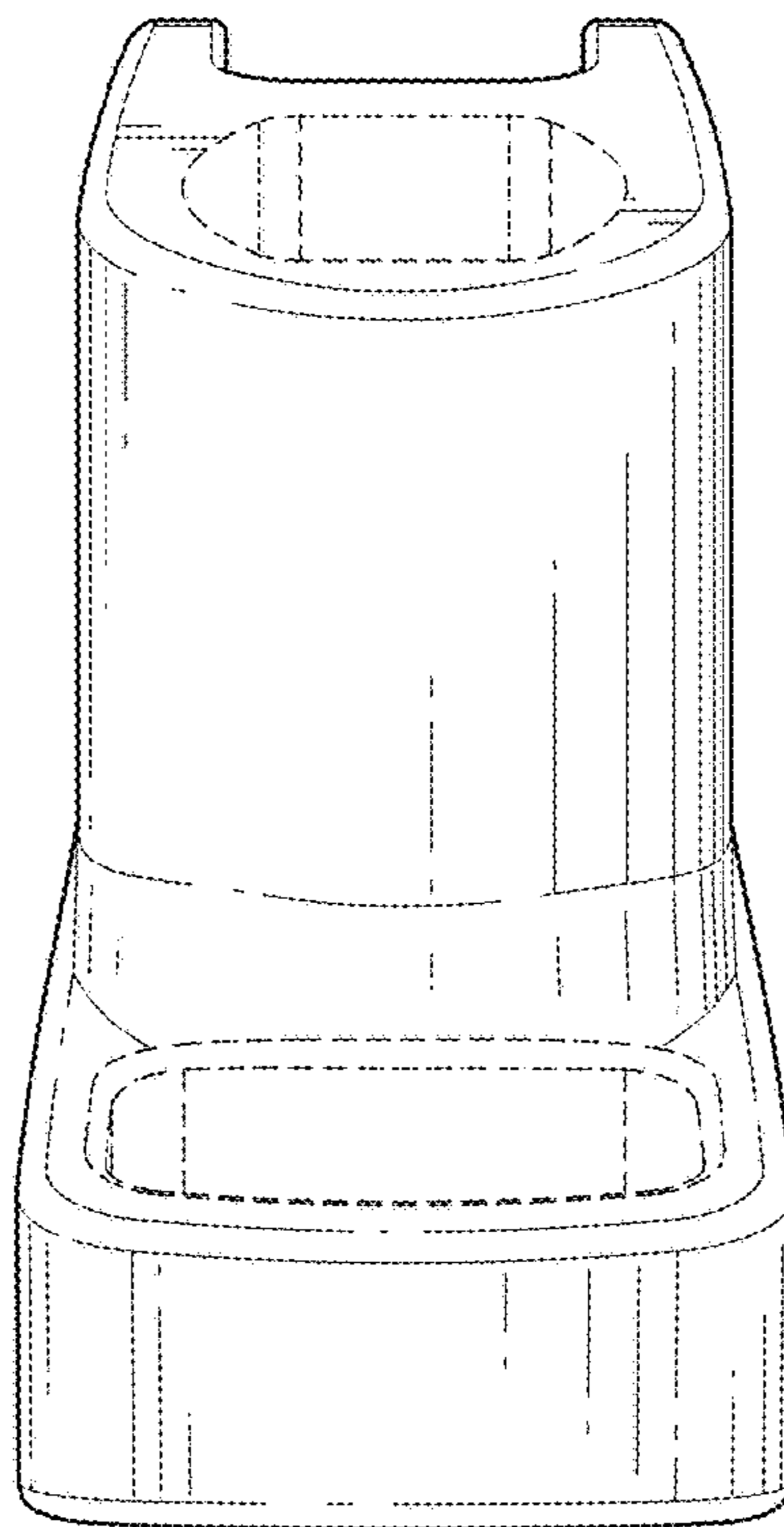


FIG. 7

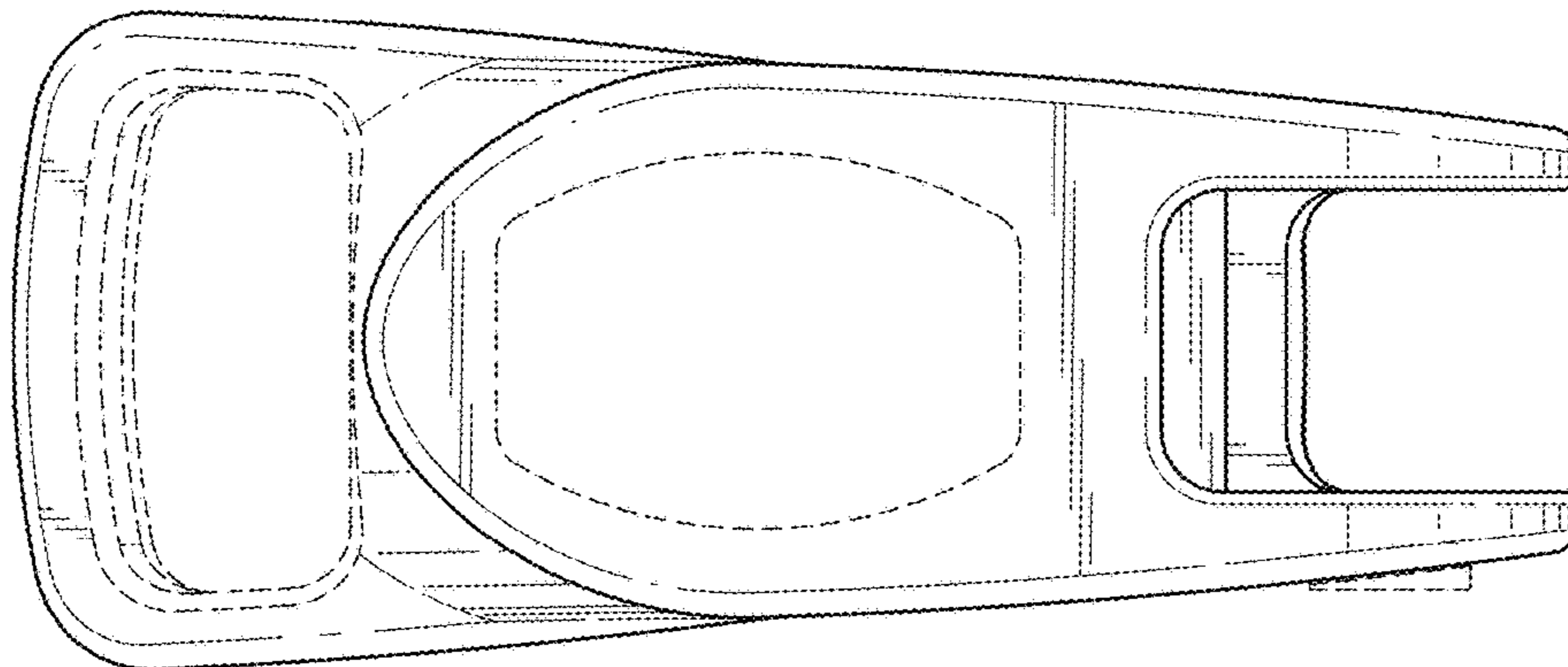


FIG. 8

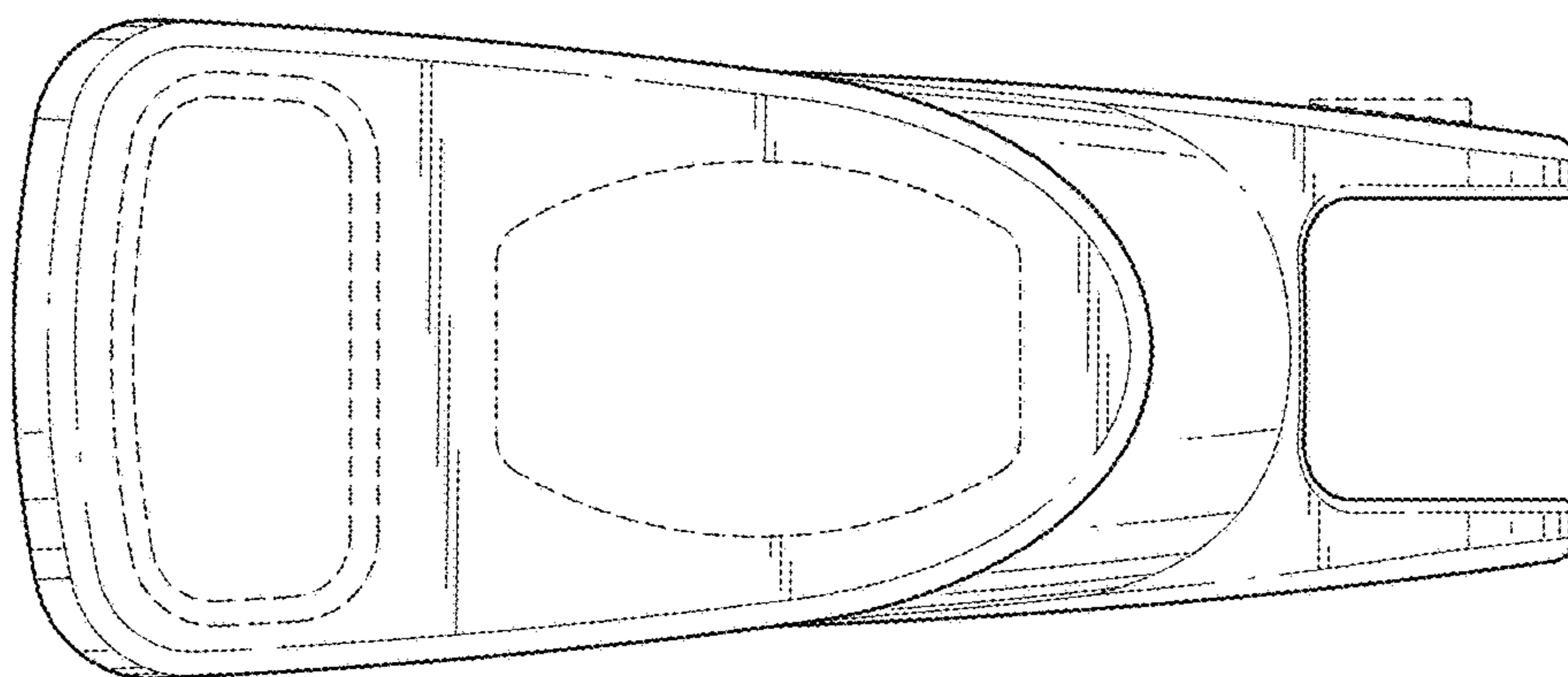


FIG. 9