



US00D808631S

(12) **United States Design Patent**  
**Enayah**

(10) **Patent No.:** **US D808,631 S**  
(45) **Date of Patent:** **\*\* Jan. 30, 2018**

(54) **SHOE UPPER**

- (71) Applicant: **NIKE, Inc.**, Beaverton, OR (US)
- (72) Inventor: **Jalal Enayah**, Portland, OR (US)
- (73) Assignee: **NIKE, Inc.**, Beaverton, OR (US)
- (\*\*) Term: **15 Years**

(21) Appl. No.: **29/593,842**

(22) Filed: **Feb. 13, 2017**

(51) **LOC (11) Cl.** ..... **02-99**

(52) **U.S. Cl.**  
USPC ..... **D2/972**

(58) **Field of Classification Search**  
USPC ..... D2/902, 906–908, 923, 944, 969,  
D2/971–974; D5/47, 49, 54  
CPC ... A43B 13/181; A43B 13/141; A43B 13/186;  
A43B 13/188; A43B 23/00; A43B 23/02;  
A43B 5/00; A43B 23/26; A43B 1/04;  
A43B 11/14; A43B 7/00; A43B 3/12  
See application file for complete search history.

(56) **References Cited**

**U.S. PATENT DOCUMENTS**

D397,860 S	*	9/1998	Avar	.....	D2/972
D398,763 S	*	9/1998	Selbiger	.....	D2/972
D399,340 S	*	10/1998	James	.....	D2/902
D428,693 S	*	8/2000	Hlavacs	.....	D2/972
D511,884 S	*	11/2005	Hatfield	.....	D2/972
D524,023 S		7/2006	Avar		
D544,689 S		6/2007	Link		
D598,188 S	*	8/2009	Walton	.....	D2/969
D649,757 S	*	12/2011	Walton	.....	D2/929
D682,526 S		5/2013	Link		
D715,039 S	*	10/2014	James	.....	D2/972
D750,881 S	*	3/2016	Hardman	.....	D2/972
D771,932 S	*	11/2016	Little	.....	D2/973
D788,444 S	*	6/2017	Seamarks	.....	D2/973
D792,078 S	*	7/2017	Greenspan	.....	D2/969
D793,704 S	*	8/2017	Durand	.....	D2/972
D793,709 S	*	8/2017	Remy	.....	D2/972

**OTHER PUBLICATIONS**

Nike Zoom Lebron Soldier III—Playoff Pack (POP) [online], [retrieved Feb. 1, 2017] retrieved from internet <URL: <http://sneakernews.com/2009/03/27/nike-zoom-lebron-soldier-iii-play-off-pack/>; 5 color sheets, Dated Mar. 27, 2009.

Jordan Brand Introduces Its Own Trainer 1 Shoe [online], [retrieved Feb. 1, 2017] retrieved from internet <URL: <http://sneakernews.com/2016/06/28/jordan-brand-introduces-trainer-1-shoe/>; 3 color sheets, Dated Jun. 28, 2016.

Air Jordan 11 Low “UNC” Releasing in Summer 2017 [online], [retrieved Feb. 1, 2017] retrieved from internet <URL: <http://sneakernews.com/2016/12/30/air-jordan-11-low-unc-summer-2017-release-info/>; 6 color sheets, Dated Dec. 30, 2016.

\* cited by examiner

*Primary Examiner* — Dominic V Simone  
(74) *Attorney, Agent, or Firm* — Banner & Witcoff, Ltd.

(57) **CLAIM**

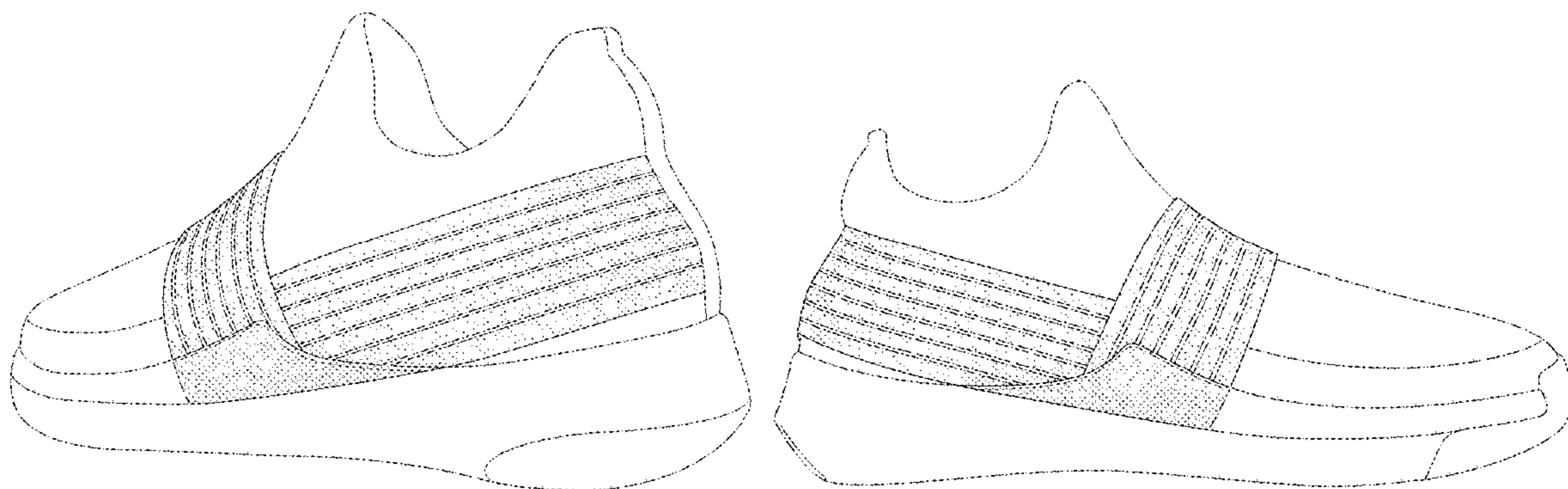
The ornamental design for a shoe upper, as shown and described.

**DESCRIPTION**

FIG. 1 is a front perspective view of a shoe upper showing my new design;  
 FIG. 2 is a side view thereof;  
 FIG. 3 is a rear perspective view thereof;  
 FIG. 4 is a second side view thereof;  
 FIG. 5 is a front view thereof;  
 FIG. 6 is a rear view thereof; and,  
 FIG. 7 is a top view thereof.

The broken lines immediately adjacent to the shaded area define the bounds of the claimed design and form no part thereof. The broken lines showing the remainder of the shoe represent unclaimed subject matter and form no part of the claimed design.

**1 Claim, 7 Drawing Sheets**



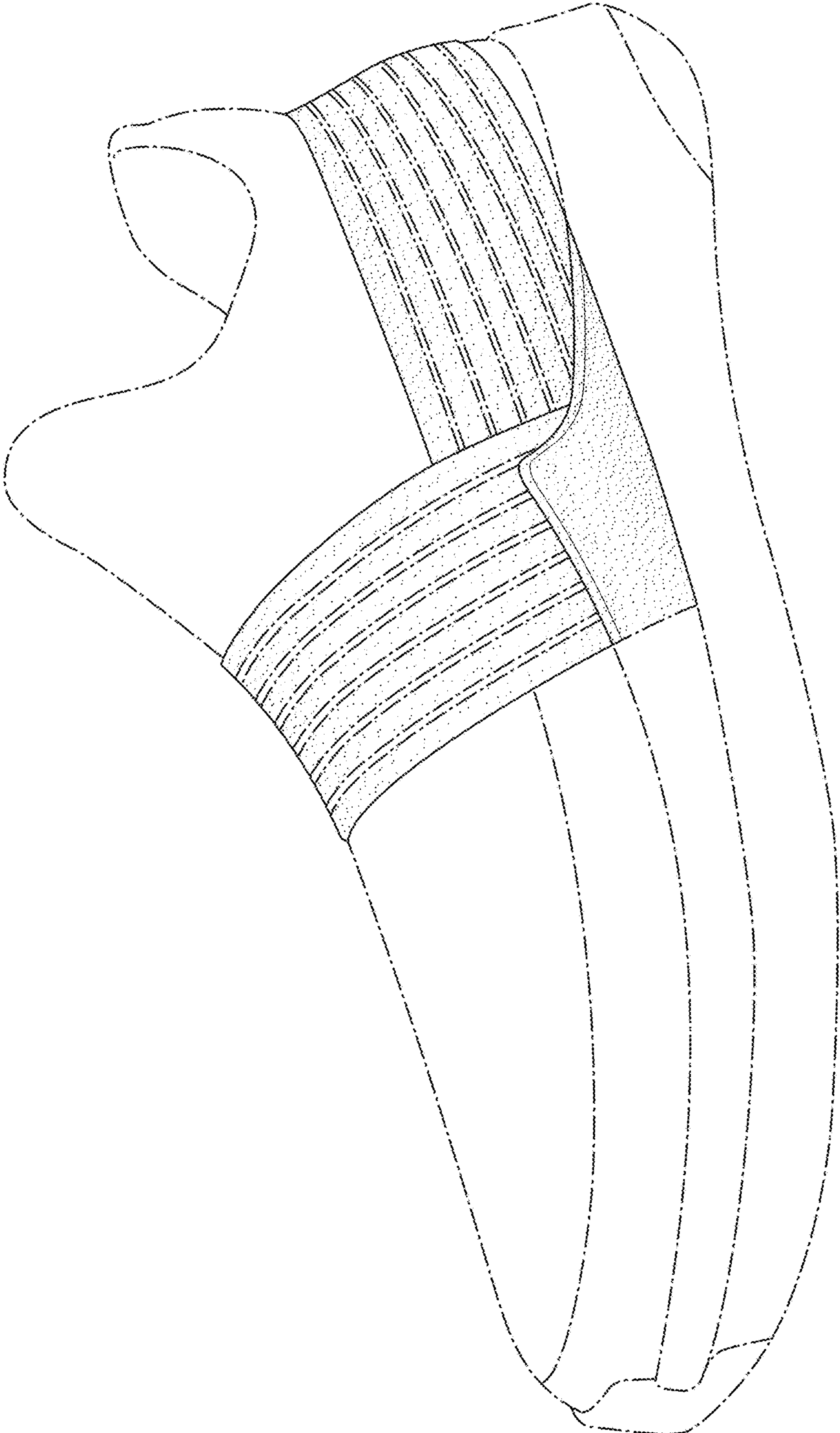


FIG. 1

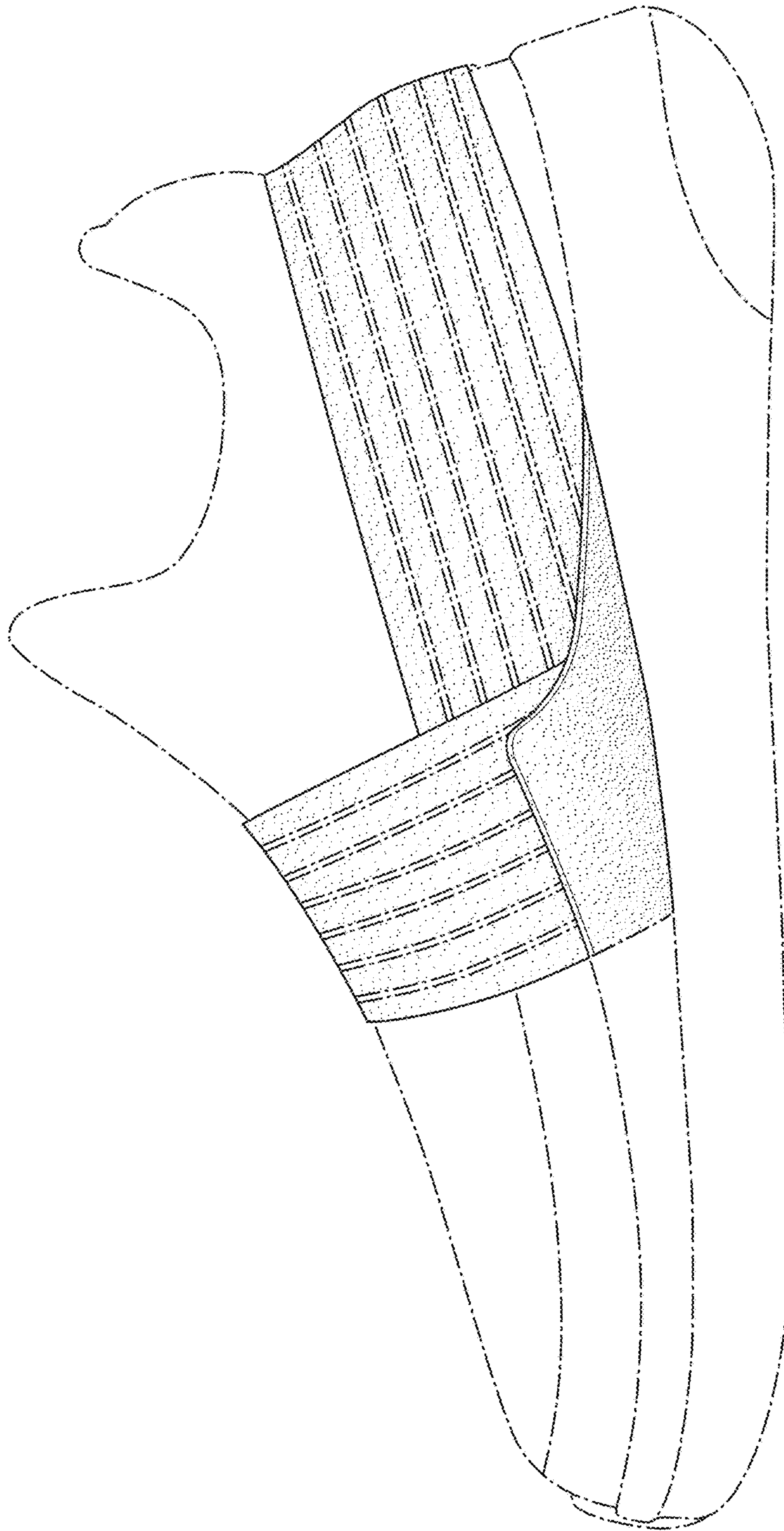


FIG. 2



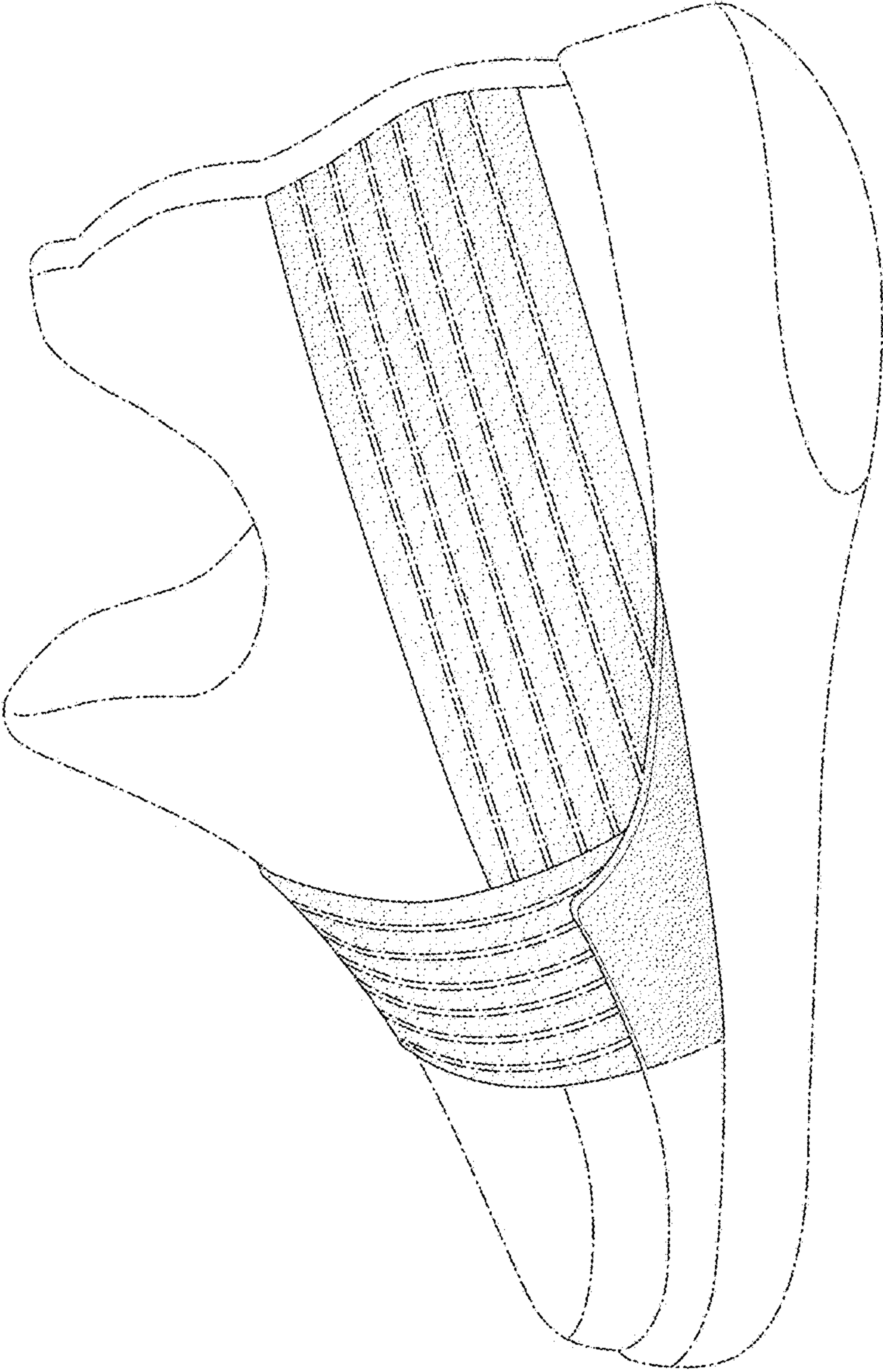


FIG. 3

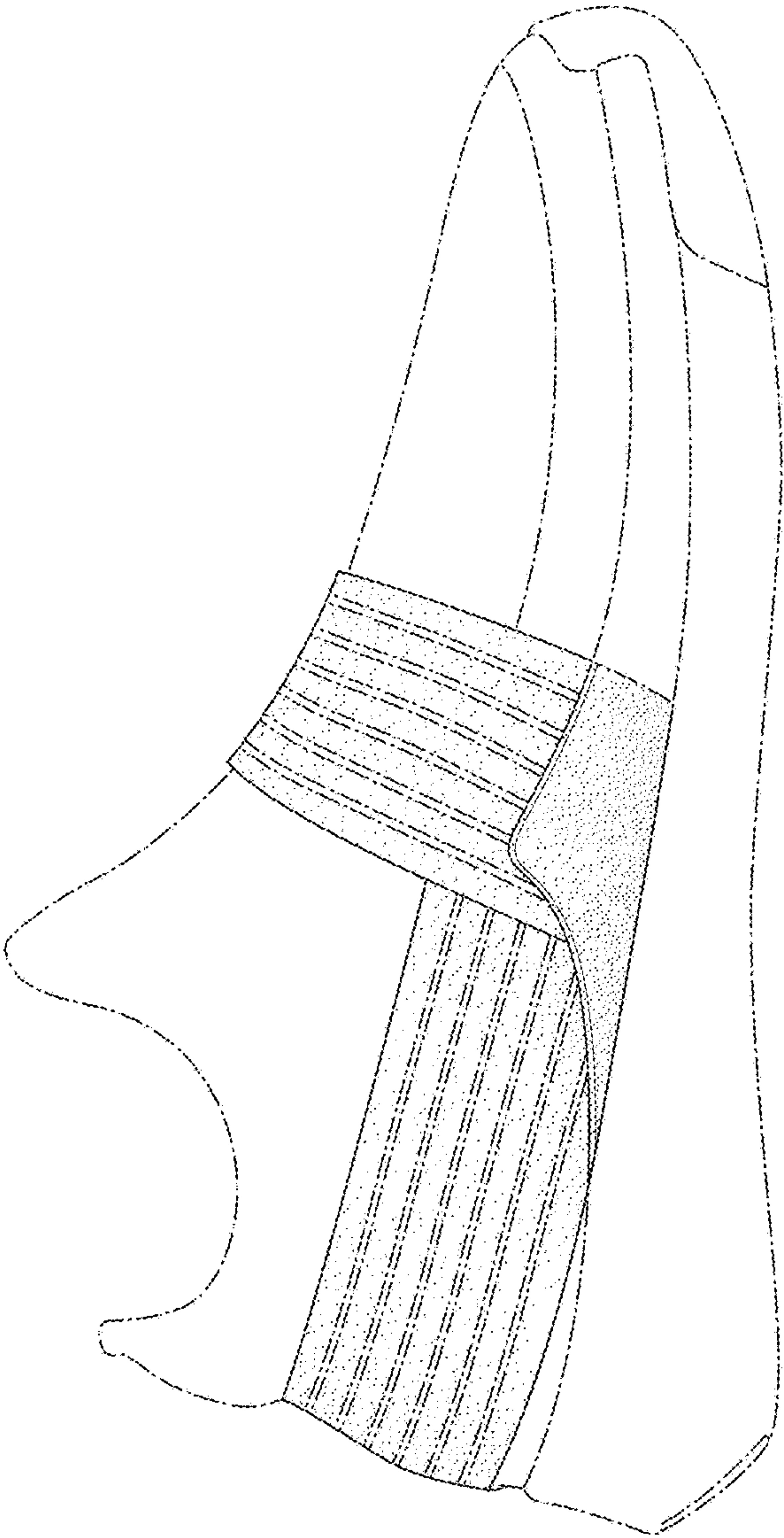


FIG. 4

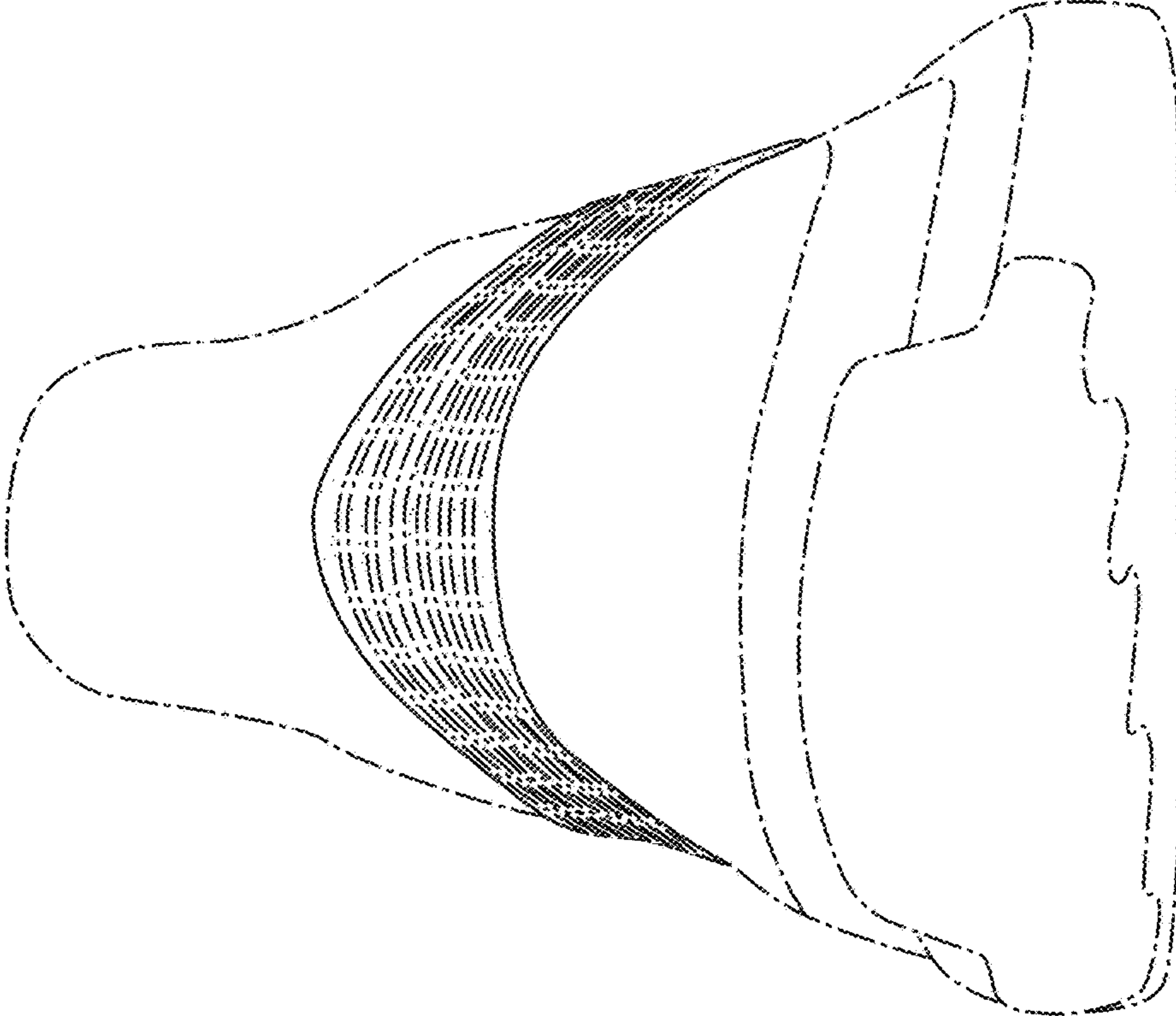


FIG. 5

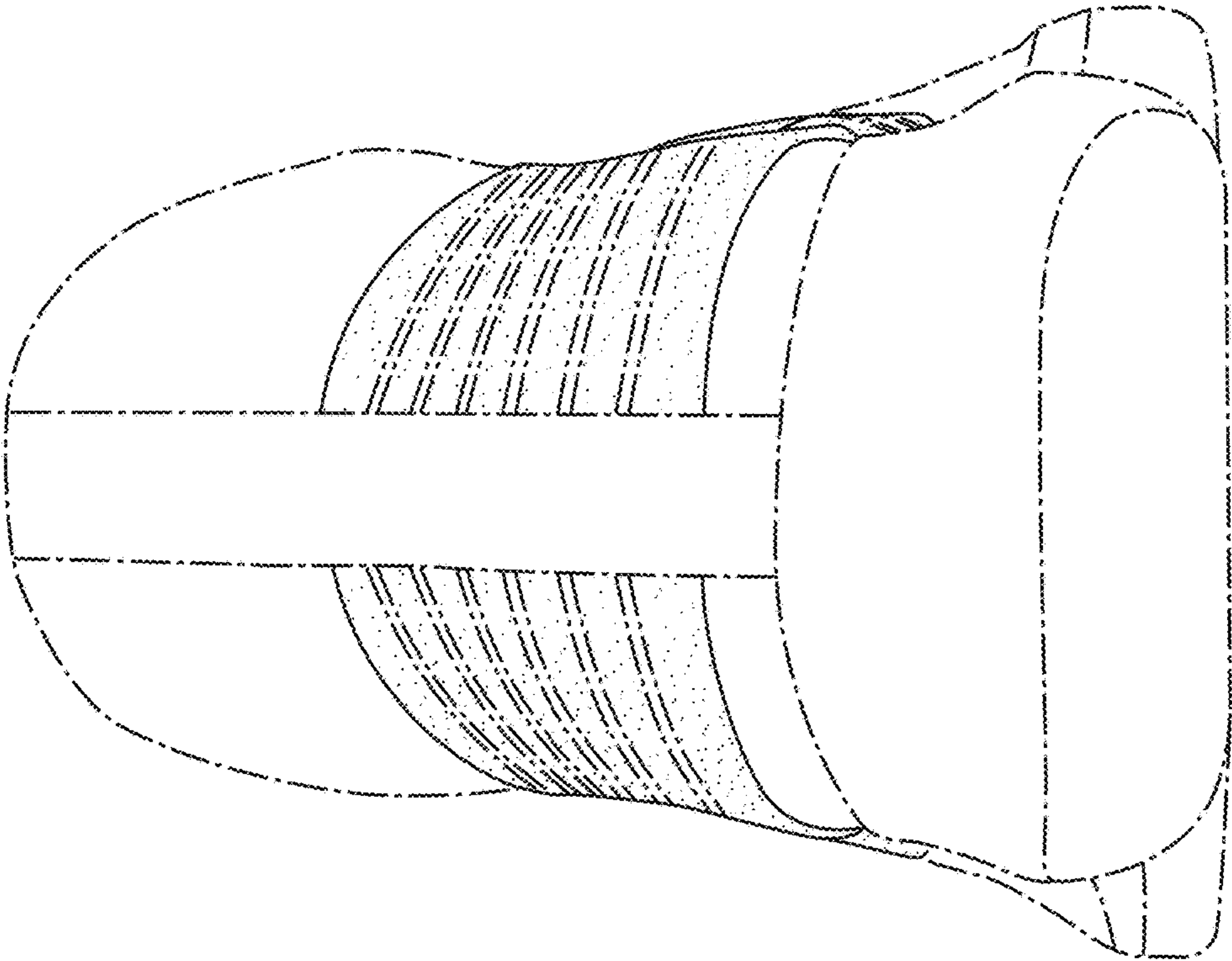


FIG. 6

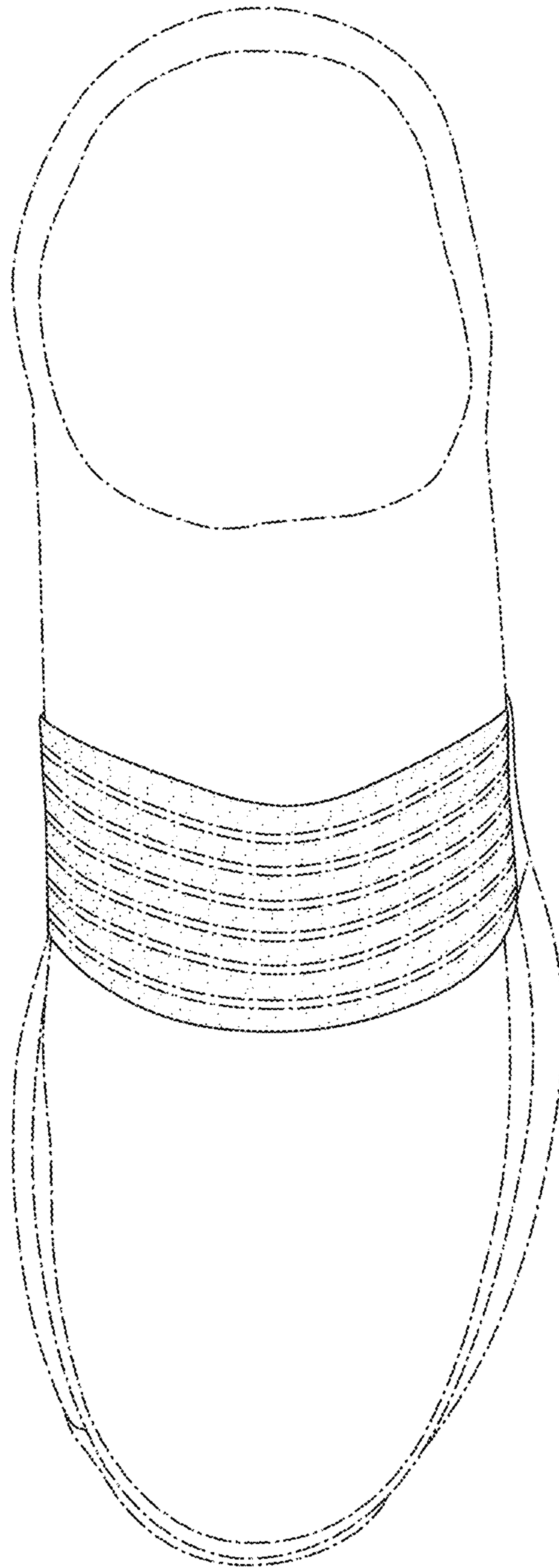


FIG. 7