



US00D808627S

(12) **United States Design Patent**
Kohatsu et al.

(10) **Patent No.:** **US D808,627 S**
(45) **Date of Patent:** **** Jan. 30, 2018**

- (54) **TRACK SPIKE**
- (71) Applicant: **NIKE, Inc.**, Beaverton, OR (US)
- (72) Inventors: **Shane S. Kohatsu**, Portland, OR (US);
Daniel Taylor Rowe, Beaverton, OR (US)
- (73) Assignee: **NIKE, Inc.**, Beaverton, OR (US)
- (**) Term: **15 Years**
- (21) Appl. No.: **29/582,535**
- (22) Filed: **Oct. 28, 2016**
- (51) **LOC (11) Cl.** **02-04**
- (52) **U.S. Cl.**
USPC **D2/962**
- (58) **Field of Classification Search**
USPC D2/896, 906, 946, 962, 963, 976
CPC A43B 1/00; A43B 1/08; A43B 1/10; A43B 1/14; A43B 3/00; A43B 5/00; A43B 5/18; A43B 5/185; A43C 15/00; A43C 15/005; A43C 15/02; A43C 15/04; A43C 15/06; A43C 15/061; A43C 15/08; A43C 15/09; A43C 15/14; A43C 15/16; A43C 15/161; A43C 15/162; A43C 15/164; A43C 15/165; A43C 15/167; A43C 15/168; A43C 19/00
See application file for complete search history.

D27,542 S *	8/1897	Whitaker	168/42
D35,330 S *	11/1901	Whitaker	168/42
3,082,549 A *	3/1963	Dolceamore	A43C 15/167 36/128
D198,123 S *	5/1964	Grant	D2/962
3,133,364 A *	5/1964	Wormelle, Jr.	A43C 15/161 36/59 R
3,156,987 A *	11/1964	Dassler	A43C 15/165 36/114
3,195,246 A *	7/1965	Ueda	A43C 15/161 36/67 D
D451,265 S *	12/2001	Savoie	D2/962
D469,245 S *	1/2003	Savoie	D2/962
D781,544 S *	3/2017	Livingston	D2/962
D792,074 S *	7/2017	Livingston	D2/962

* cited by examiner

Primary Examiner — Elizabeth J Oswecki
(74) *Attorney, Agent, or Firm* — Banner & Witcoff, Ltd.

(57) **CLAIM**

The ornamental design for a track spike, as shown and described.

DESCRIPTION

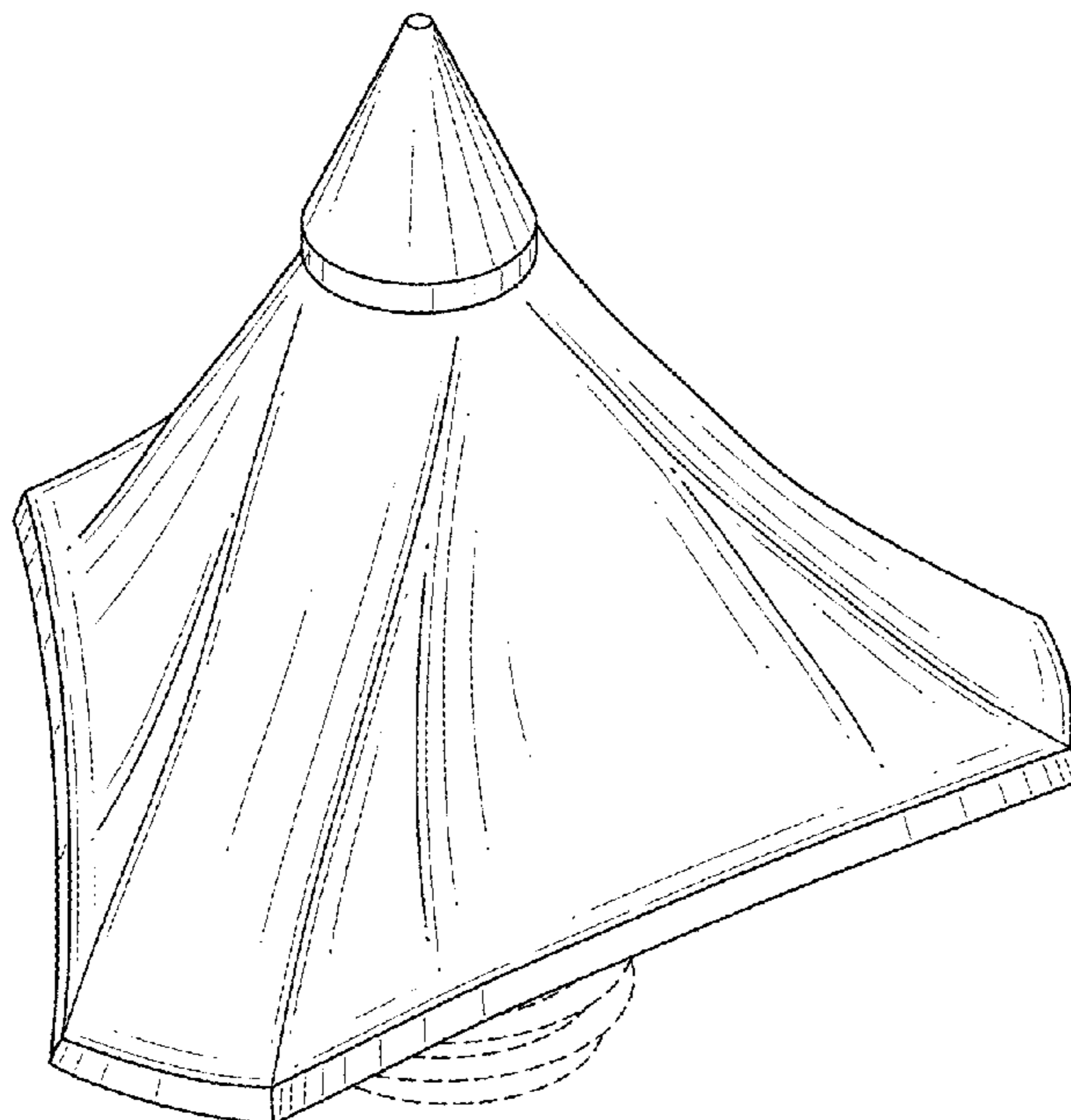
FIG. 1 is a top front perspective of a track spike showing our new design;
 FIG. 2 is a front view thereof;
 FIG. 3 is a rear view thereof;
 FIG. 4 is a side view thereof;
 FIG. 5 is a second side view thereof;
 FIG. 6 is a top view thereof; and,
 FIG. 7 is a bottom view thereof.
 The unshaded regions, demarcated by broken lines, represent unclaimed subject matter and form no part of the claimed design.

1 Claim, 7 Drawing Sheets

(56) **References Cited**

U.S. PATENT DOCUMENTS

D15,490 S *	10/1884	Mundy	D2/962
D15,491 S *	10/1884	Mundy	D2/962
D26,587 S *	2/1897	Rowe	168/42



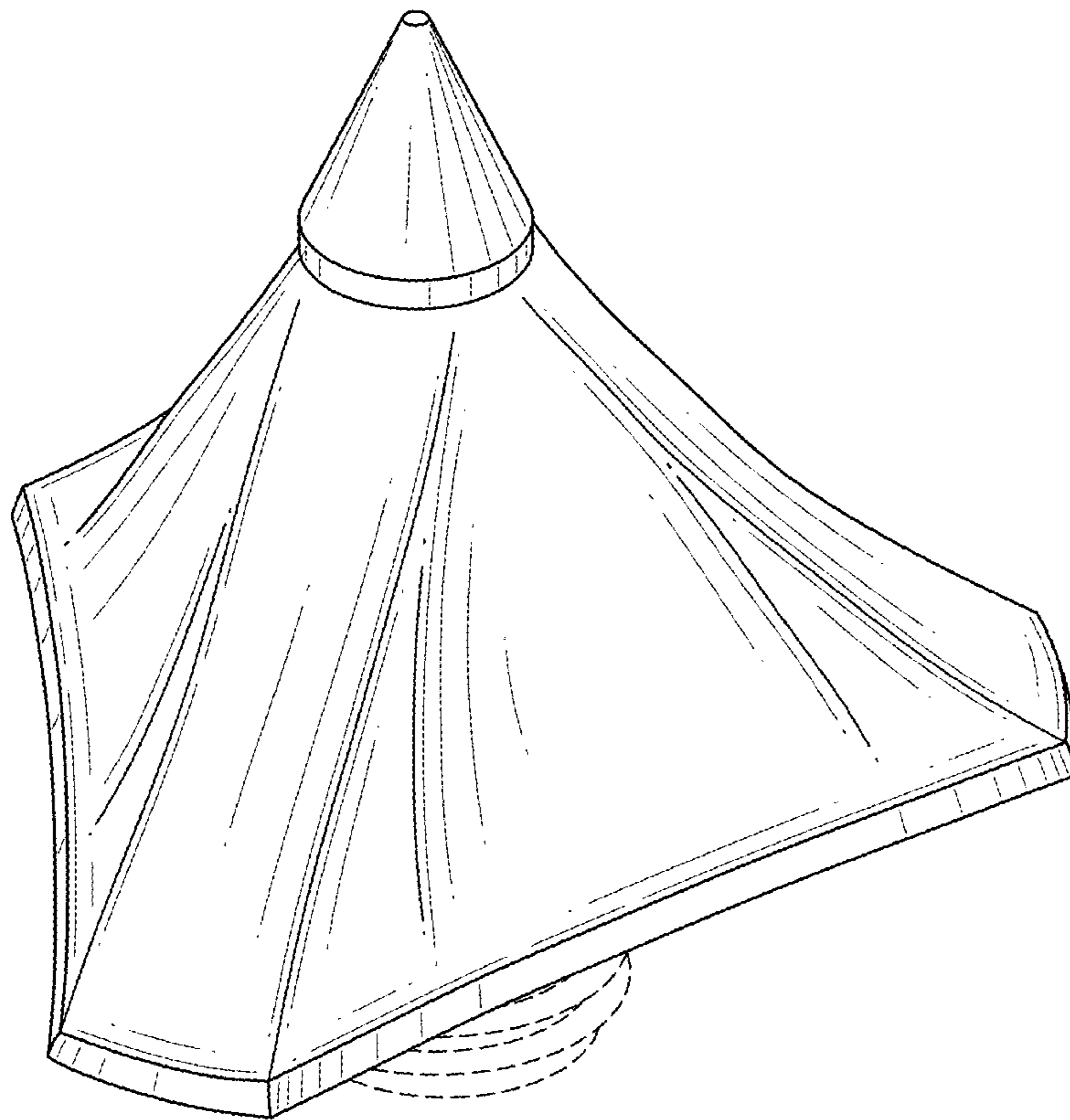


FIG. 1

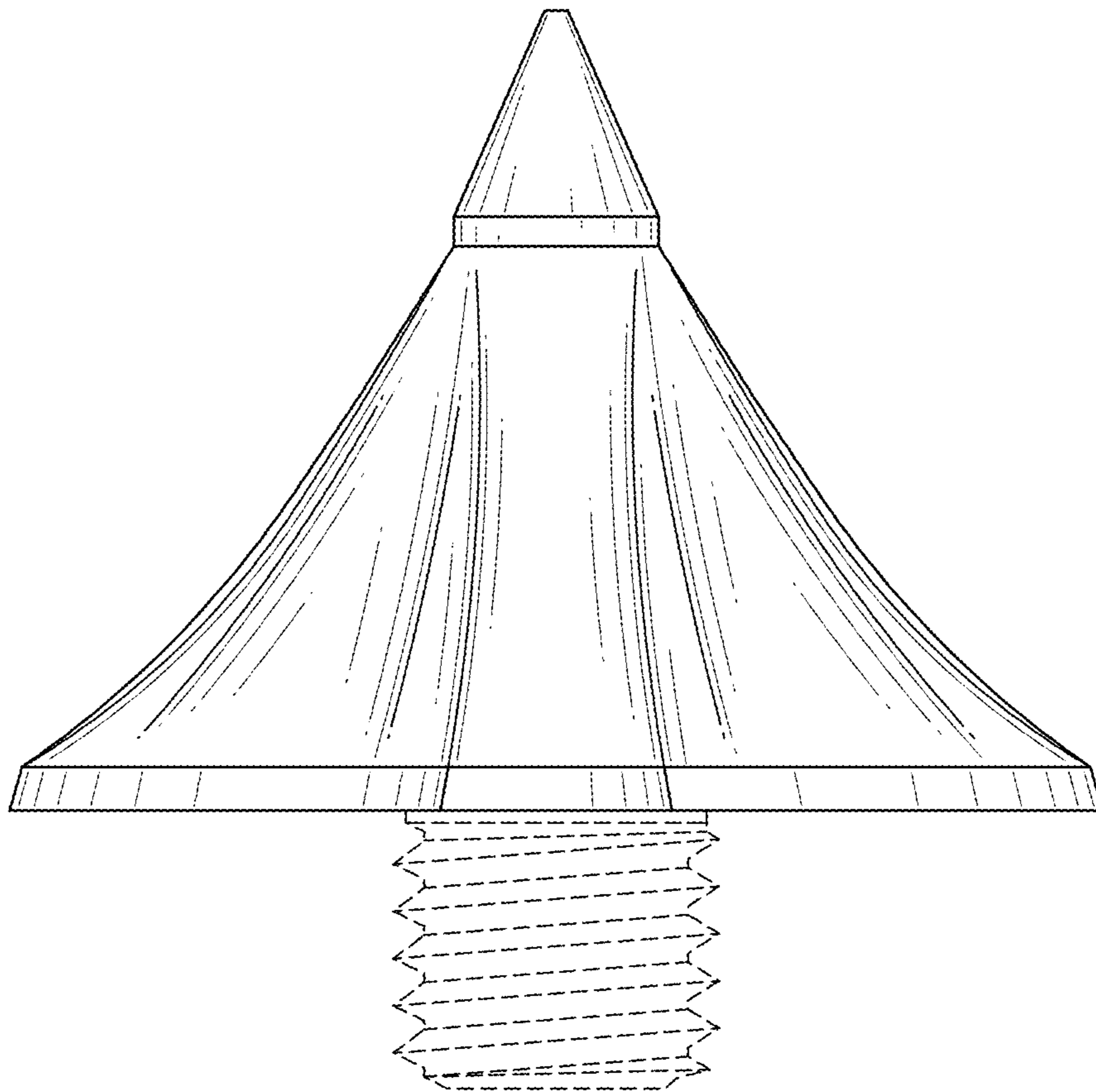


FIG. 2

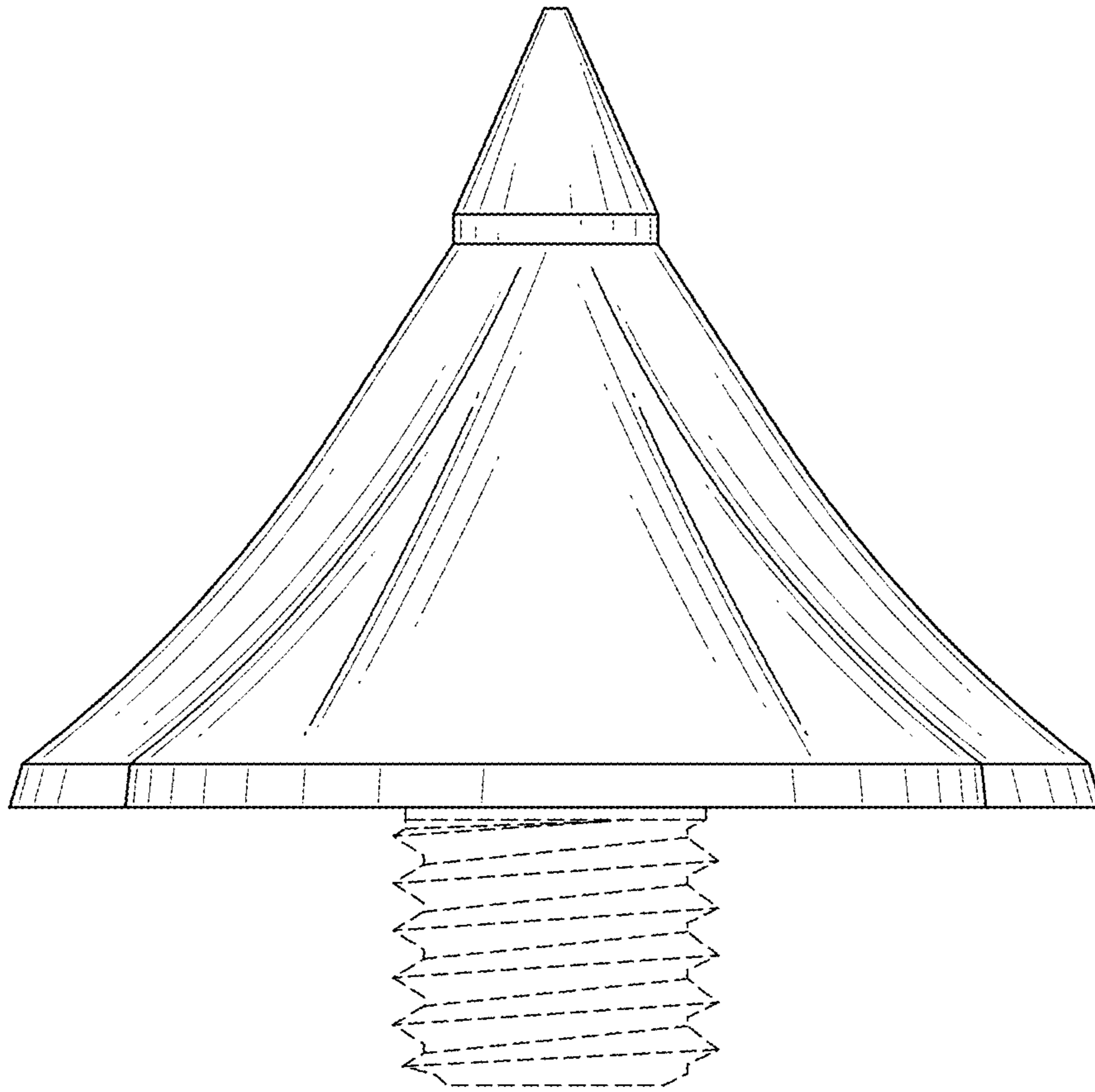


FIG. 3

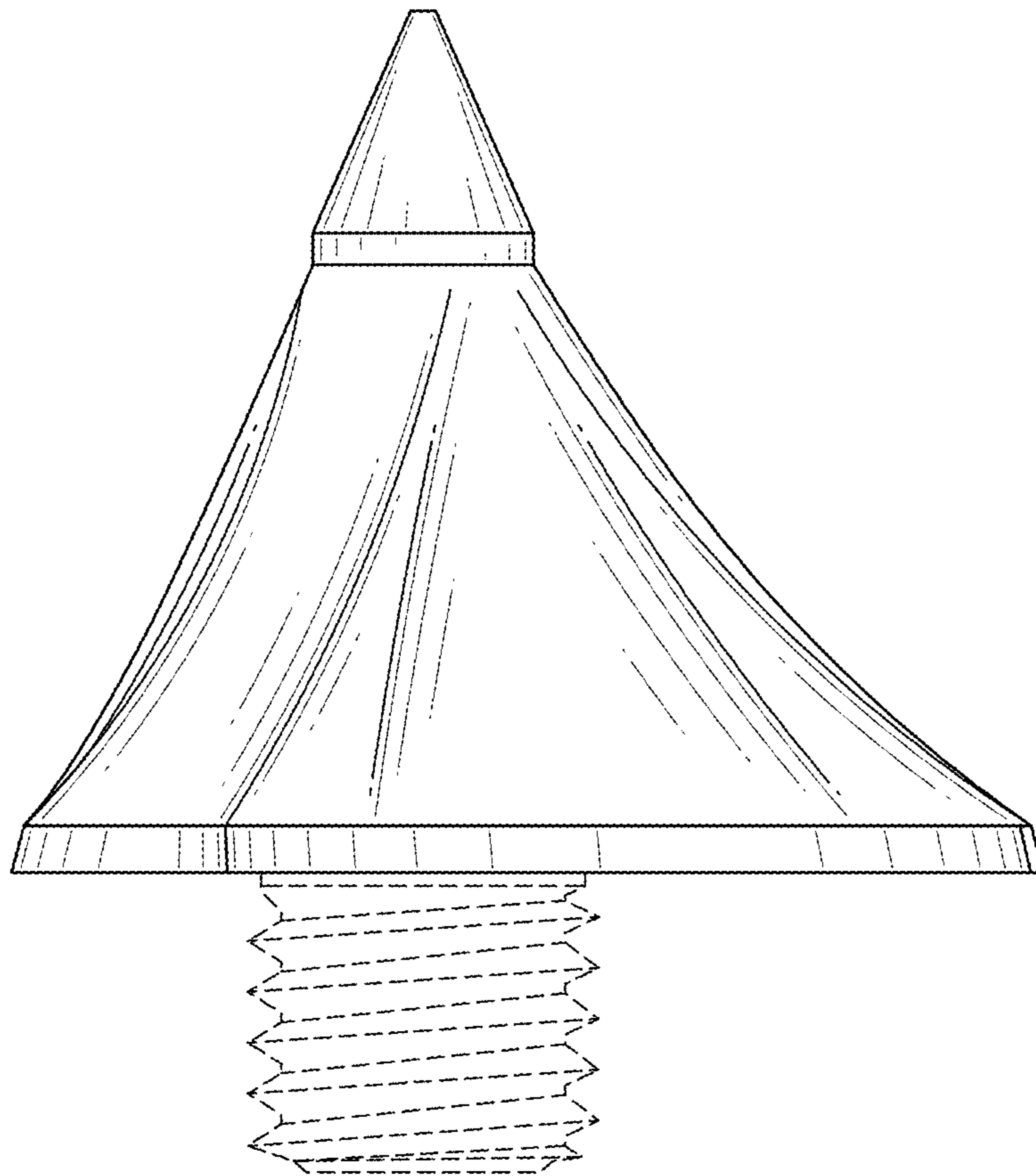


FIG.4

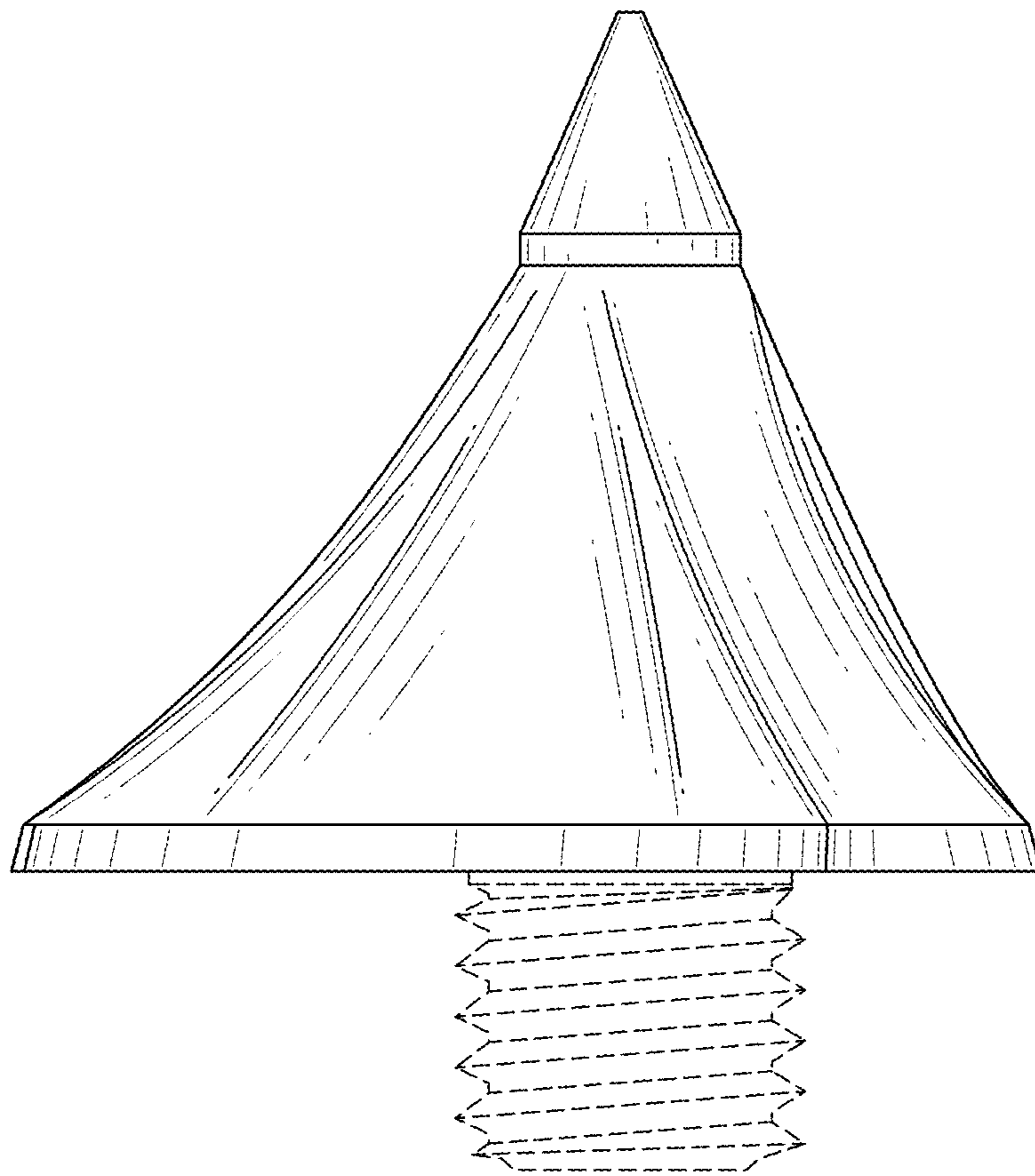


FIG.5

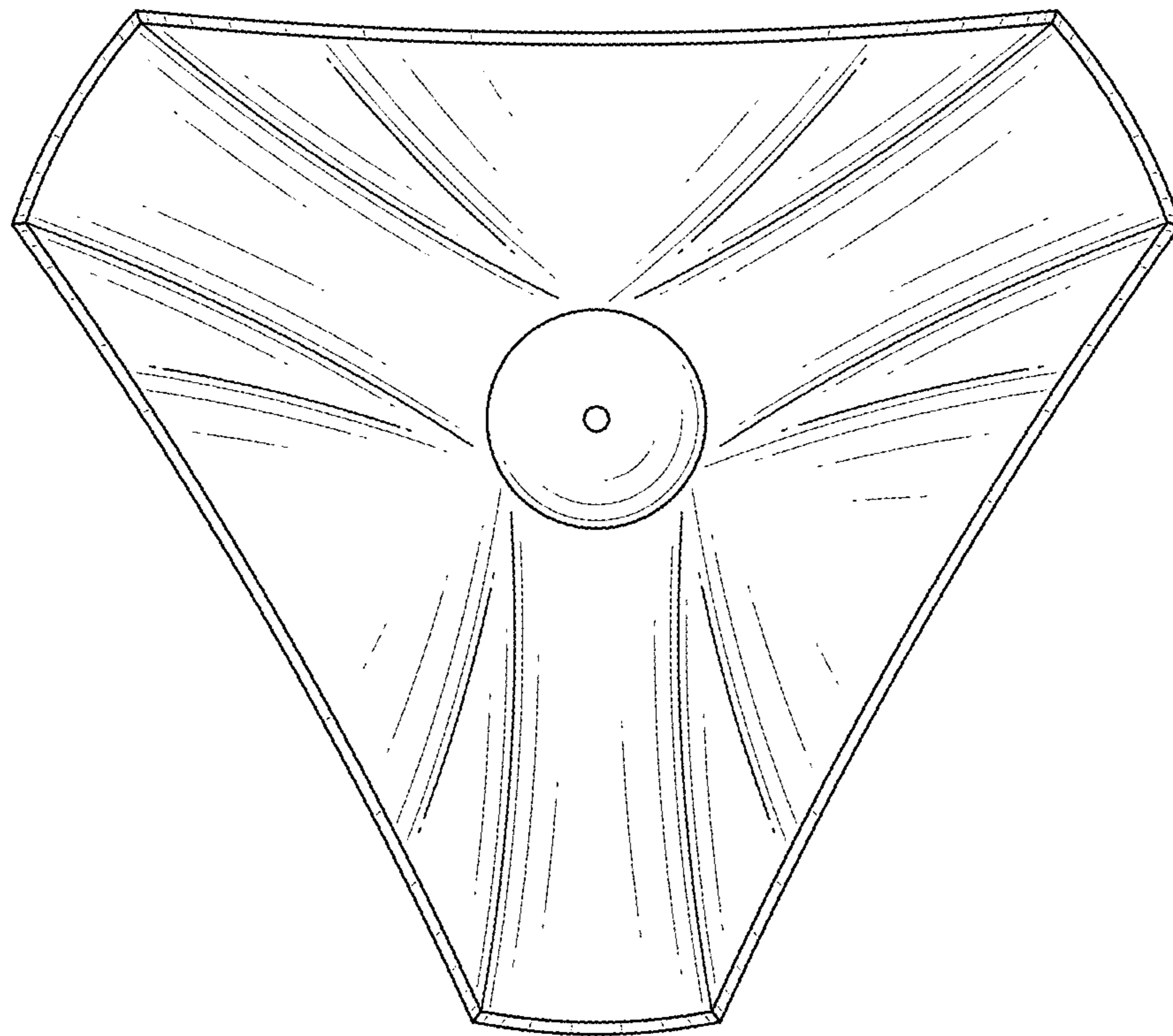


FIG.6

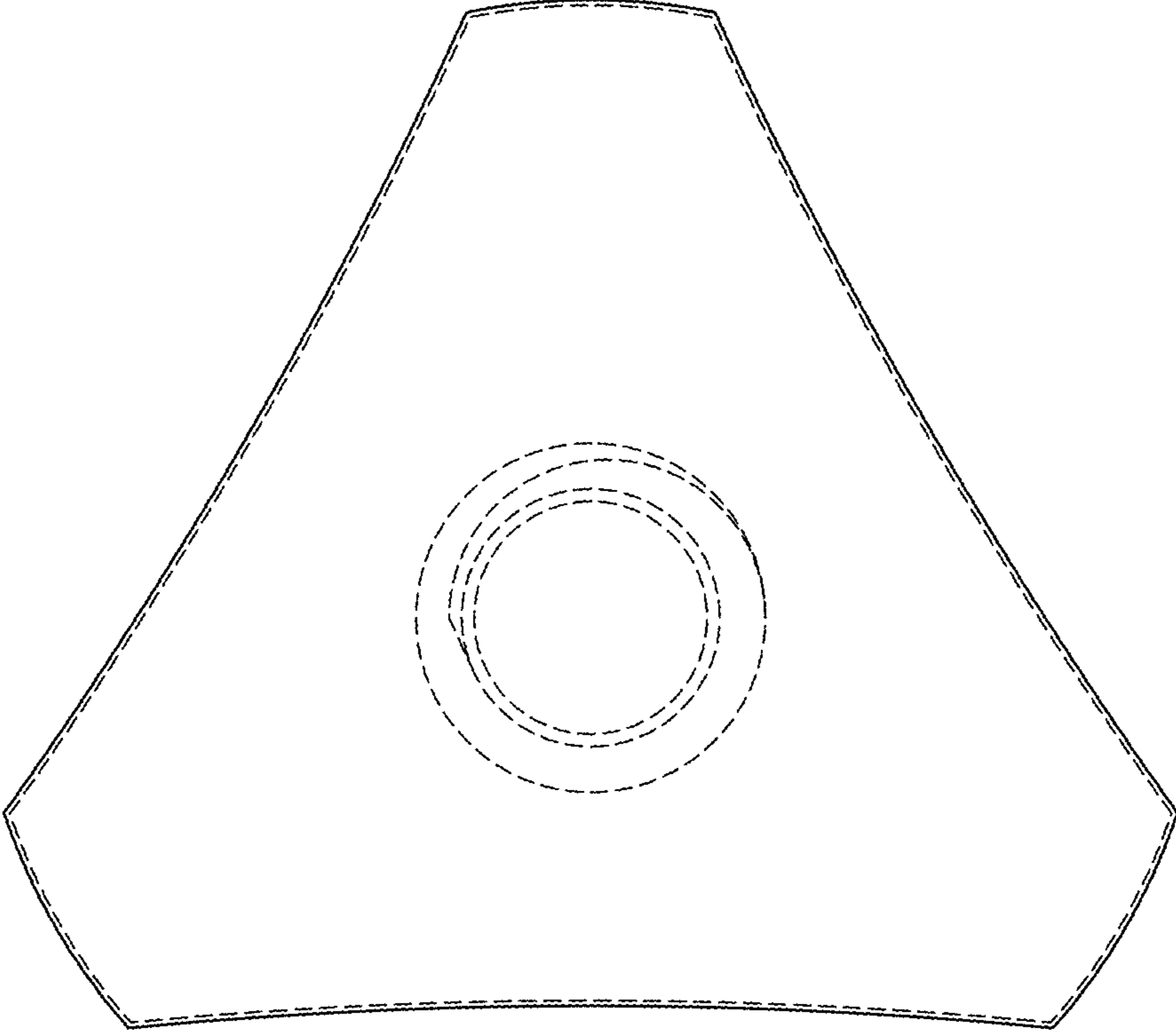


FIG. 7