



US00D808626S

(12) **United States Design Patent**
Matsui

(10) **Patent No.:** **US D808,626 S**

(45) **Date of Patent:** **** Jan. 30, 2018**

(54) **SOLE FOR FOOTWEAR**

(71) Applicant: **Praia, Inc.**, Meguro-ku, Tokyo (JP)

(72) Inventor: **Shigehiro Matsui**, Tokyo (JP)

(73) Assignee: **Praia, Inc.**, Tokyo (JP)

(**) Term: **15 Years**

(21) Appl. No.: **29/555,073**

(22) Filed: **Feb. 18, 2016**

(30) **Foreign Application Priority Data**

Aug. 21, 2015 (JP) 2015-018375
Aug. 21, 2015 (JP) 2015-018376

(51) **LOC (11) Cl.** **02-04**

(52) **U.S. Cl.**
USPC **D2/960**

(58) **Field of Classification Search**
USPC D2/902, 906, 908, 916, 918, 925,
D2/946-962, 977
CPC A43B 13/00; A43B 13/02; A43B 13/023;
A43B 13/026; A43B 13/04; A43B 13/08;
A43B 13/10; A43B 13/12; A43B 13/14;
A43B 13/141; A43B 13/143; A43B
13/16; A43B 13/18; A43B 13/181; A43B
13/187; A43B 13/189; A43B 13/20; A43B
13/22; A43B 13/223; A43B 13/24; A43B
13/28; A43B 13/30; A43B 13/32; A43B
13/34; A43B 13/36

See application file for complete search history.

(56) **References Cited**

U.S. PATENT DOCUMENTS

D235,701 S * 7/1975 Famolare, Jr. D2/947
D253,500 S * 11/1979 Famolare, Jr. D2/947
D478,412 S * 8/2003 Adams D2/956
D649,754 S * 12/2011 Callahan D2/951

D680,714 S * 4/2013 Della Valle D2/908
D681,315 S * 5/2013 Della Valle D2/908
D681,316 S * 5/2013 Della Valle D2/908
D681,317 S * 5/2013 Della Valle D2/908
D690,917 S * 10/2013 Spring D2/951
D691,359 S * 10/2013 Della Valle D2/950
D703,927 S * 5/2014 Taestensen D2/951

(Continued)

OTHER PUBLICATIONS

Official Communication issued on Apr. 5, 2016 in corresponding Japanese Design Application No. JP 2015-018376 and English translation.

(Continued)

Primary Examiner — Marianne Pandozzi

Assistant Examiner — Aula Soroush

(74) *Attorney, Agent, or Firm* — Renner, Otto, Boisselle and Sklar, LLP

(57) **CLAIM**

The ornamental design for a sole for footwear, as shown and described.

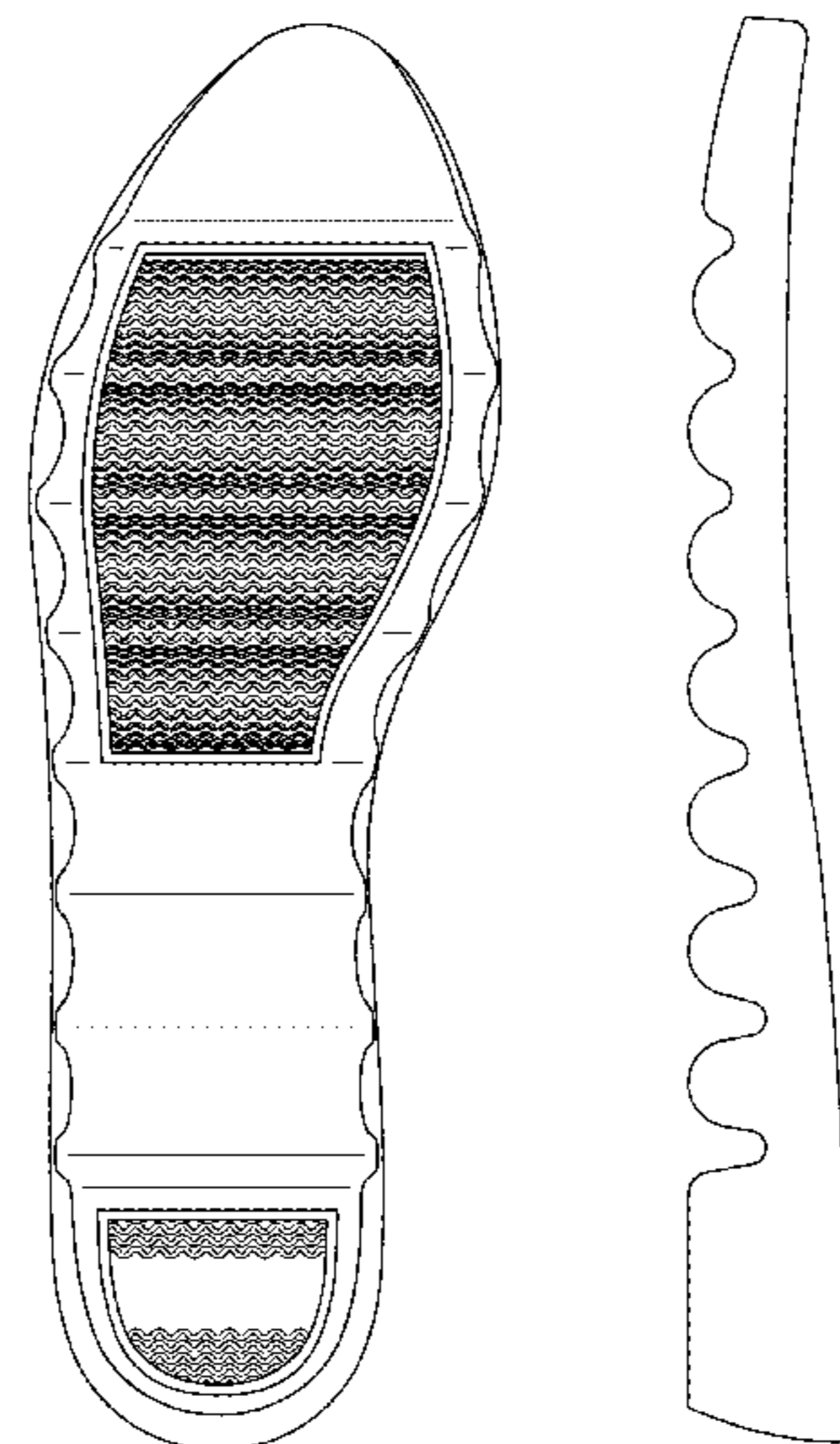
DESCRIPTION

FIG. 1 is a top, front, right perspective view of a sole for footwear showing my new design;
FIG. 2 is a front elevation view thereof;
FIG. 3 is a rear elevation view thereof;
FIG. 4 is a top plan view thereof;
FIG. 5 is a bottom plan view thereof;
FIG. 6 is a right side elevation view thereof; and,
FIG. 7 is a left side elevation view thereof.

A sole for footwear for a right footwear is shown in FIGS. 1-7. Figures showing a sole for footwear for a left footwear are omitted because they would be a mirror image of the sole for footwear for a right footwear.

The portion of the sole for footwear within the broken line boundary in FIGS. 3-5 forms no part of the claimed design.

1 Claim, 7 Drawing Sheets



(56)

References Cited

U.S. PATENT DOCUMENTS

| | | | | |
|------------|---|---------|-----------------------------------|--------|
| D716,024 S | * | 10/2014 | Bramani | D2/951 |
| D734,929 S | * | 7/2015 | Taestensen | D2/950 |
| D747,860 S | * | 1/2016 | de Costa Pereira Machado | D2/951 |
| D751,799 S | * | 3/2016 | Nogueira | D2/951 |
| D764,155 S | * | 8/2016 | Taestensen | D2/951 |
| D765,371 S | * | 9/2016 | Taestensen | D2/950 |
| D765,958 S | * | 9/2016 | Silverman | D2/950 |
| D769,591 S | * | 10/2016 | Taestensen | D2/950 |
| D769,593 S | * | 10/2016 | Chang | D2/951 |
| D776,412 S | * | 1/2017 | Carboy | D2/951 |
| D776,904 S | * | 1/2017 | Miller | D2/951 |
| D785,303 S | * | 5/2017 | Carboy | D2/951 |
| D785,306 S | * | 5/2017 | Georgoulakis | D2/947 |

OTHER PUBLICATIONS

Design of "Footware Sole" published on Oct. 15, 2013 and posted at http://www.dinos.co.jp/defaultMall/sitemap/CSfDetailGdsImage_001.jsp?GOODS_NO=1022548&count=0&sort_img=1 (Publicly Known Material No. HJ25043181 at the Design Section of the JPO).

* cited by examiner

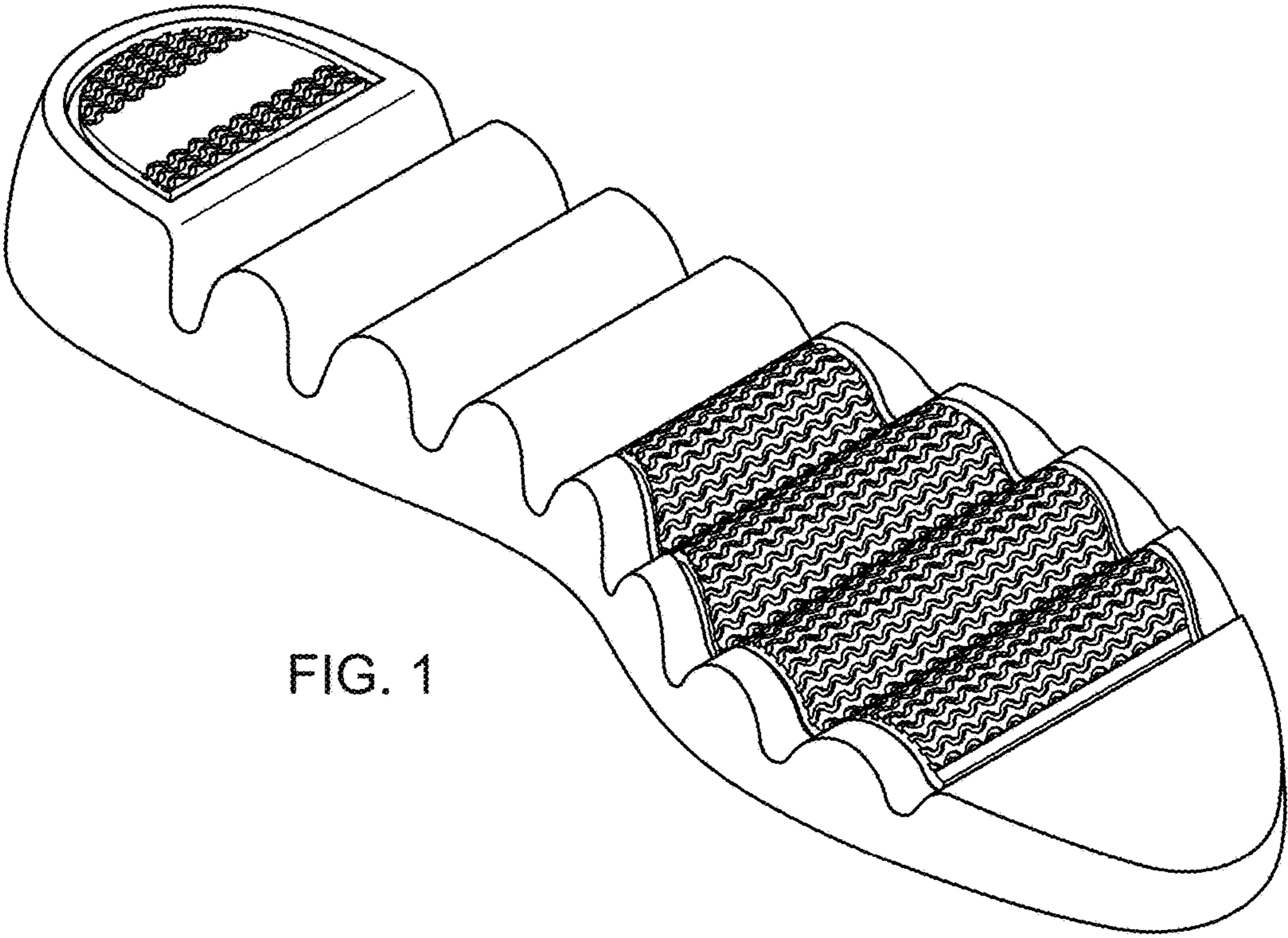


FIG. 1

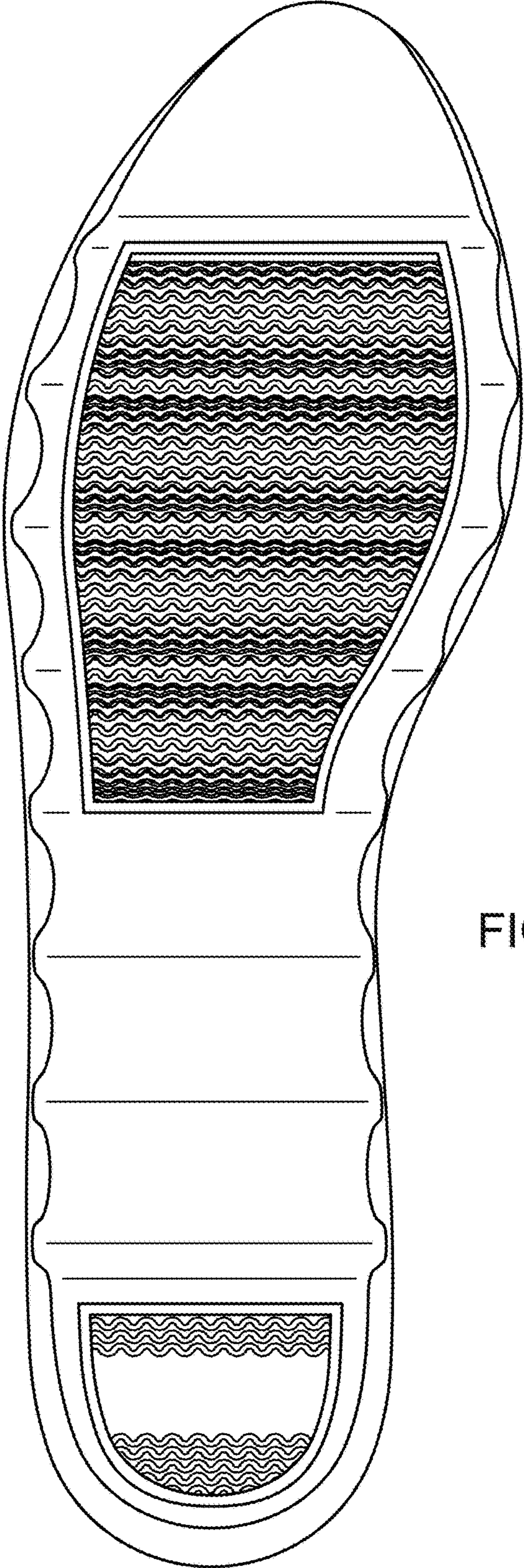


FIG. 2

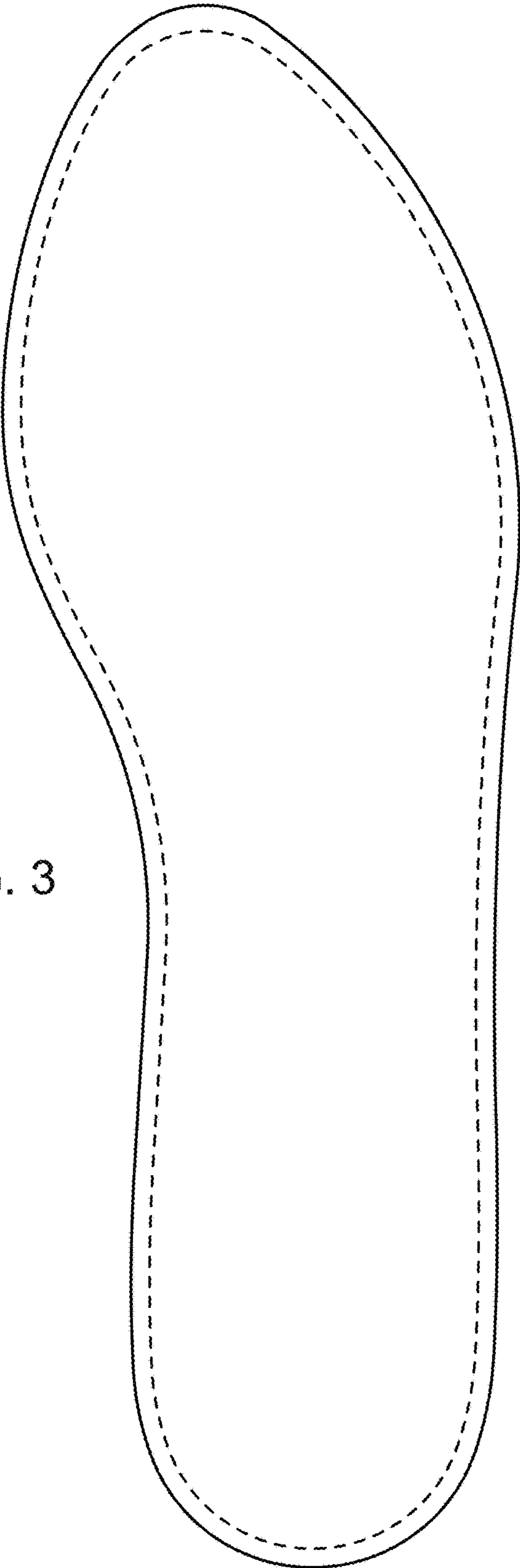


FIG. 3

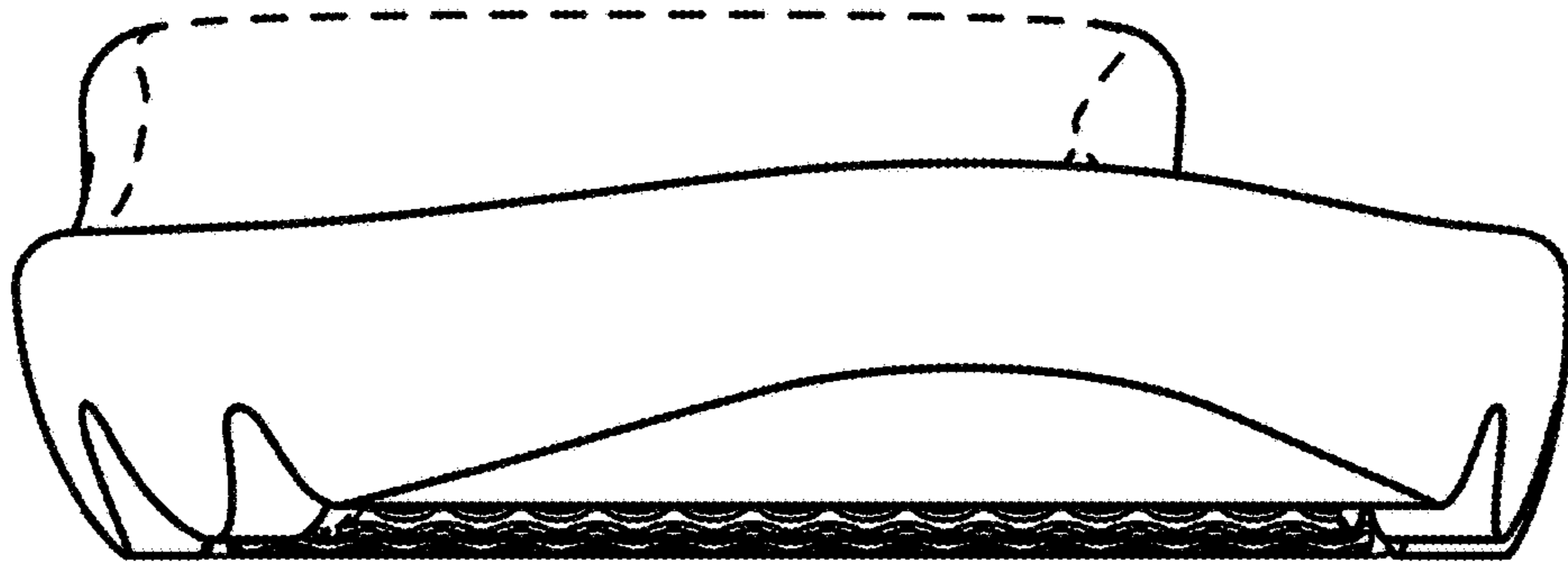


FIG. 4

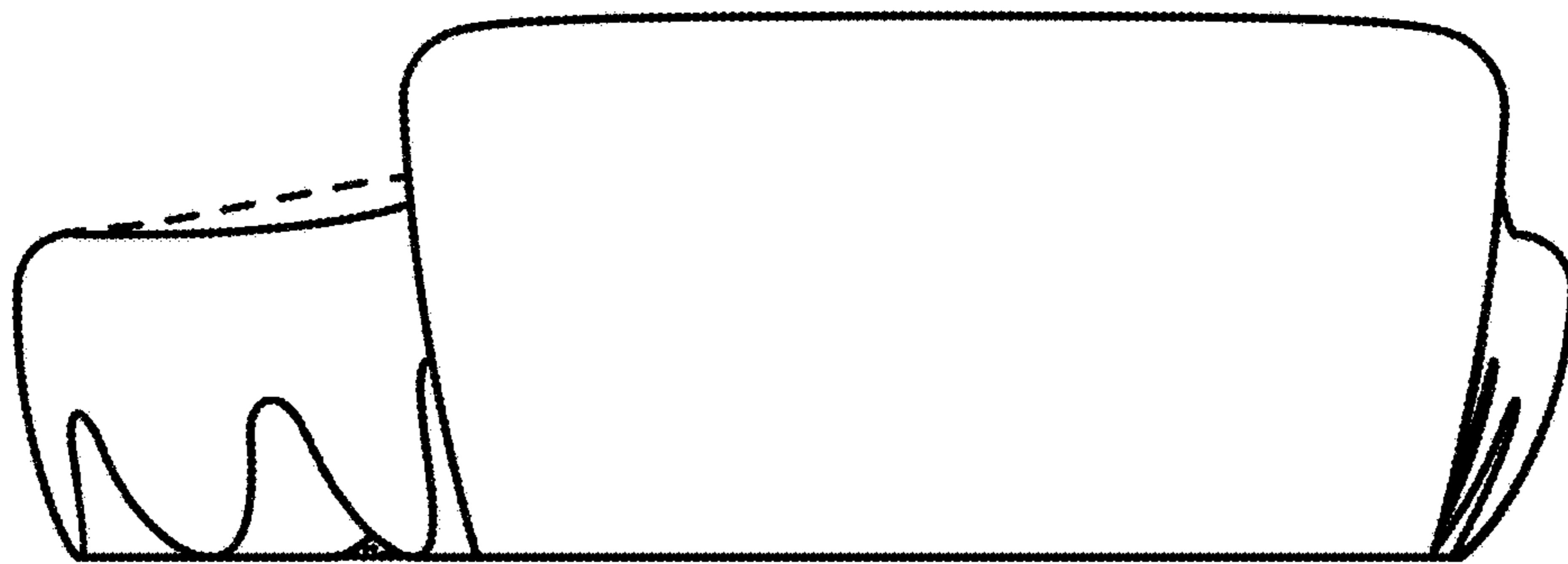


FIG. 5

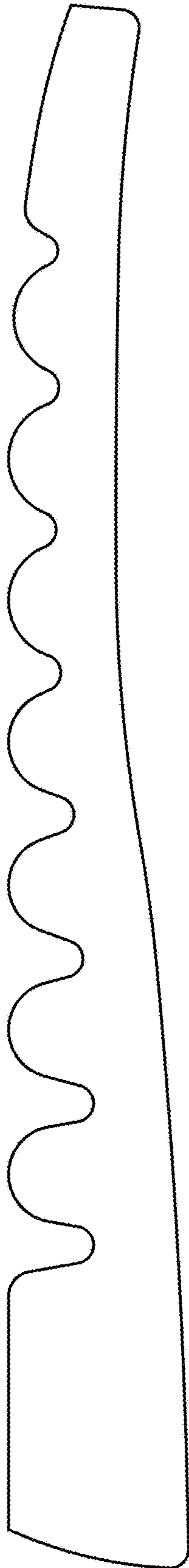


FIG. 6



FIG. 7