



(12) **United States Design Patent** (10) **Patent No.:** **US D808,608 S**
Van de Mark et al. (45) **Date of Patent:** **** Jan. 23, 2018**

(54) **FOLDABLY CONSTRUCTED PALLET**

(71) Applicant: **Green Ox Pallet Technology, LLC**,
Centennial, CO (US)

(72) Inventors: **Gregory D. Van de Mark**, Centennial,
CO (US); **Joshua Daniel Herbeck**,
Centennial, CO (US)

(73) Assignee: **Green Ox Pallet Technology, LLC**,
Centennial, CO (US)

(**) Term: **15 Years**

(21) Appl. No.: **29/560,874**

(22) Filed: **Apr. 11, 2016**

(51) **LOC (11) Cl.** **09-08**

(52) **U.S. Cl.**
USPC **D34/38**

(58) **Field of Classification Search**
USPC D34/38; 248/346.02; 229/125.26,
229/122.28, 122.21, 120.11, 117, 117.05,
(Continued)

(56) **References Cited**

U.S. PATENT DOCUMENTS

2,503,240 A 4/1950 Cahners
2,576,715 A 11/1951 Farrel
(Continued)

FOREIGN PATENT DOCUMENTS

DE 7227035 U 10/1972
DE 2137703 A1 2/1973
(Continued)

Primary Examiner — Cynthia Ramirez
Assistant Examiner — Michael Maharajh

(74) *Attorney, Agent, or Firm* — Dorsey & Whitney LLP

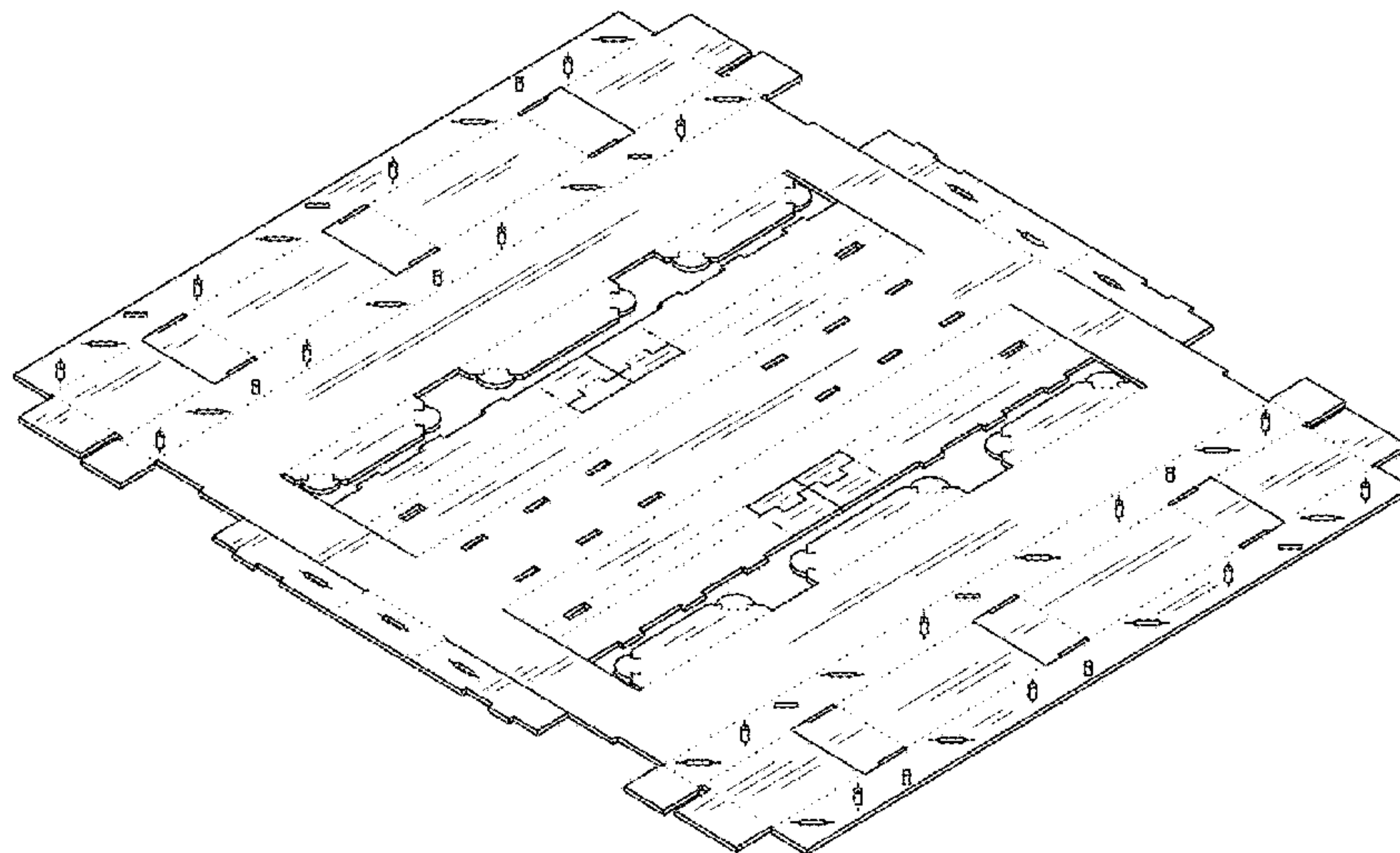
(57) **CLAIM**

We claim the ornamental design for a foldably constructed pallet, as shown and described.

DESCRIPTION

FIG. 1 is a top front isometric view of a bottom blank of a foldably constructed pallet in an unfolded configuration. FIG. 2 is a top plan view of FIG. 1. FIG. 3 is a bottom plan view of FIG. 1. FIG. 4 is a front elevation view of FIG. 1. FIG. 5 is a rear elevation view of FIG. 1. FIG. 6 is a right side elevation view of FIG. 1. FIG. 7 is a left side elevation view of FIG. 1. FIG. 8 is a top front isometric view of a top blank of a foldably constructed pallet in an unfolded configuration. FIG. 9 is a top plan view of FIG. 8. FIG. 10 is a bottom plan view of FIG. 8. FIG. 11 is a front elevation view of FIG. 8. FIG. 12 is a rear elevation view of FIG. 8. FIG. 13 is a left side elevation of FIG. 8. FIG. 14 is a right side elevation of FIG. 8. FIG. 15 is an exploded view of the foldably constructed pallet constructed by folding the bottom blank of FIG. 1 and the top blank of FIG. 8 along the fold lines shown by the dotted lines and connecting the folded top blank and the folded bottom blank together. FIG. 16 is a top front isometric view of a foldably constructed pallet by connecting the folded bottom blank and the folded top blank of FIG. 15 together. FIG. 17 is a top plan view of FIG. 16. FIG. 18 is a bottom plan view of FIG. 16. FIG. 19 is a front elevation view of FIG. 16, with the rear elevation view being a mirror image thereof; and, FIG. 20 is a right side elevation view of FIG. 16, with the left side elevation view being a mirror image thereof. The dotted lines represent fold lines. The solid lines adjacent the dotted lines form part of the claimed design.

1 Claim, 15 Drawing Sheets



(58) **Field of Classification Search**
 USPC 229/113, 110; 108/57.28, 57.25, 57.1,
 108/56.1, 55.3, 53.1, 53.3, 52.1, 51.3,
 108/51.11
 CPC B65D 19/004; B65D 19/38; B65D
 2519/00273; B65D 2519/00815
 See application file for complete search history.

7,303,519	B2	12/2007	Jenkins et al.
7,328,833	B1	2/2008	Wiley
7,426,890	B2	9/2008	Olvey
7,472,474	B2	1/2009	Jaen
7,484,343	B2	2/2009	Dickner
D623,821	S	9/2010	Grainger
D640,922	S	7/2011	Daley et al.
7,980,184	B2	7/2011	Olvey
8,033,481	B2	10/2011	Choi et al.
D663,616	S	7/2012	Martini
8,261,675	B2	9/2012	Morris
D668,539	S	10/2012	Barbieri et al.
8,365,677	B2	2/2013	Olvey
D679,588	S	4/2013	Martini
D681,452	S	5/2013	Dennen et al.
8,479,666	B2	7/2013	Olvey
D687,706	S	8/2013	Akana et al.
D717,167	S	11/2014	Stone
D717,647	S	11/2014	De Pietri Tonelli et al.
D720,214	S	12/2014	De Pietri Tonelli et al.
D746,535	S	12/2015	Herbeck
D746,536	S	12/2015	Herbeck
D747,193	S	1/2016	Melistas
D767,849	S *	9/2016	Van de Mark D34/38
D767,850	S *	9/2016	Van de Mark D34/38
D775,524	S	1/2017	Herbeck et al.
D776,397	S *	1/2017	Herbeck D34/38
D776,398	S *	1/2017	Herbeck D34/38
9,630,742	B2	4/2017	Olvey et al.
2001/0025589	A1	10/2001	Moberg
2002/0069796	A1	6/2002	Olvey et al.
2002/0112653	A1	8/2002	Moor, Jr. et al.
2004/0108434	A1	6/2004	Olvey
2005/0061210	A1	3/2005	Wullenweber
2005/0098067	A1	5/2005	Sketo
2005/0247240	A1	11/2005	Nelson
2006/0065170	A1	3/2006	Chen
2006/0225626	A1	10/2006	Olvey et al.
2007/0068426	A1	3/2007	Teags et al.
2008/0223262	A1	9/2008	Chew et al.
2011/0245059	A1	10/2011	Olvey et al.
2011/0308993	A1	12/2011	Hill et al.
2012/0312200	A1	12/2012	Monteith
2013/0180437	A1	7/2013	Wilcox et al.
2015/0239609	A1	8/2015	Olvey et al.
2015/0284137	A1	10/2015	Olvey et al.
2016/0304240	A1	10/2016	Olvey et al.
2017/0137170	A1	5/2017	Olvey et al.

(56) **References Cited**
 U.S. PATENT DOCUMENTS

2,709,559	A	5/1955	Geisler
2,908,464	A	10/1959	Traudt et al.
3,026,078	A	3/1962	Simkins
3,216,376	A	11/1965	Anderson et al.
3,302,593	A	2/1967	Roberts
3,308,772	A	3/1967	Thomas, Jr.
3,464,370	A	9/1969	Martin
3,952,672	A	4/1976	Gordon et al.
4,085,847	A	4/1978	Jacalone
4,100,859	A	7/1978	Clark, Jr.
D249,872	S	10/1978	Booth et al.
4,226,192	A	10/1980	Myers
4,378,743	A	4/1983	McFarland
4,433,807	A	2/1984	Ganz
D283,456	S	4/1986	Kero et al.
D288,977	S	3/1987	Wind
4,717,025	A	1/1988	Maurer
4,875,419	A	10/1989	Helton et al.
4,936,229	A	6/1990	Parnell
5,176,090	A	1/1993	Roberts et al.
5,285,732	A	2/1994	Gottlieb
5,337,679	A	8/1994	Moorman
5,350,066	A	9/1994	Mendoza et al.
5,355,812	A	10/1994	Kilpatrick et al.
5,377,600	A	1/1995	Speese et al.
5,383,409	A	1/1995	Hayakawa
5,448,956	A	9/1995	Ong et al.
5,452,667	A	9/1995	Lim
5,562,048	A	10/1996	Gottlieb
5,701,827	A	12/1997	Urabe
5,784,971	A	7/1998	Chang
5,809,906	A	9/1998	Janek
D400,681	S	11/1998	Sadr
5,881,652	A	3/1999	Besaw
5,950,546	A	9/1999	Brown et al.
D421,218	S	2/2000	Roemer et al.
6,029,582	A	2/2000	Ogilvie, Jr. et al.
6,070,726	A	6/2000	Graham
6,116,568	A	9/2000	Rosenblat et al.
6,173,658	B1	1/2001	Moberg
D445,554	S *	7/2001	Blason D34/38
6,253,994	B1	7/2001	Mogard
D453,057	S	1/2002	Sewell
6,499,206	B1	12/2002	Eure et al.
6,739,270	B1	5/2004	Sewell
7,007,613	B2	3/2006	Sketo
7,234,402	B2	6/2007	Olvey et al.
7,275,489	B1	10/2007	Shuert

FOREIGN PATENT DOCUMENTS

FR	2867161	A1	9/2005
WO	0055057	A1	9/2000
WO	2006094268	A2	9/2006
WO	2006094311	A2	9/2006
WO	2011003126	A1	1/2011
WO	2013136272	A1	9/2013
WO	2014003823	A1	1/2014
WO	2014004742	A1	1/2014

* cited by examiner

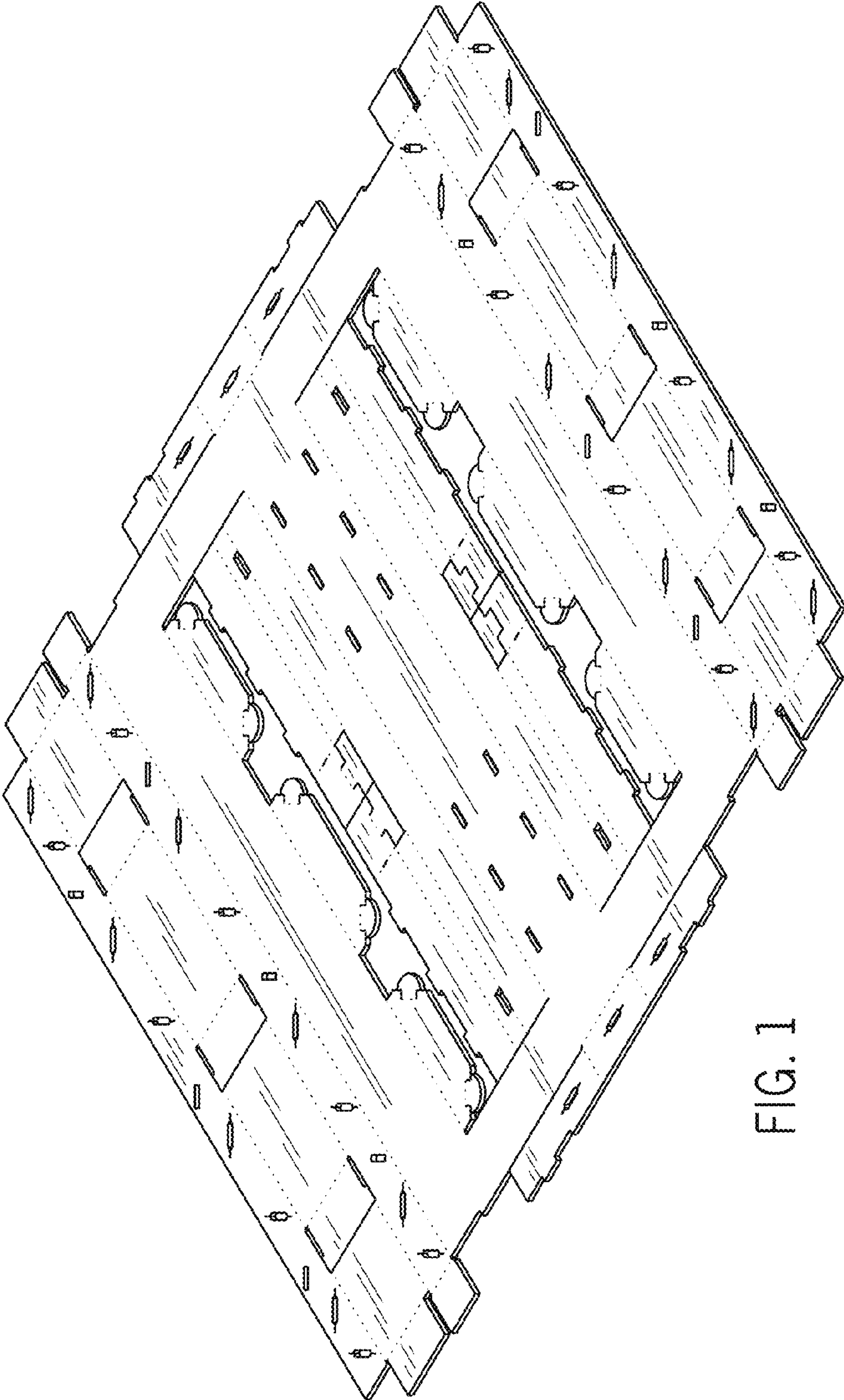


FIG. 1

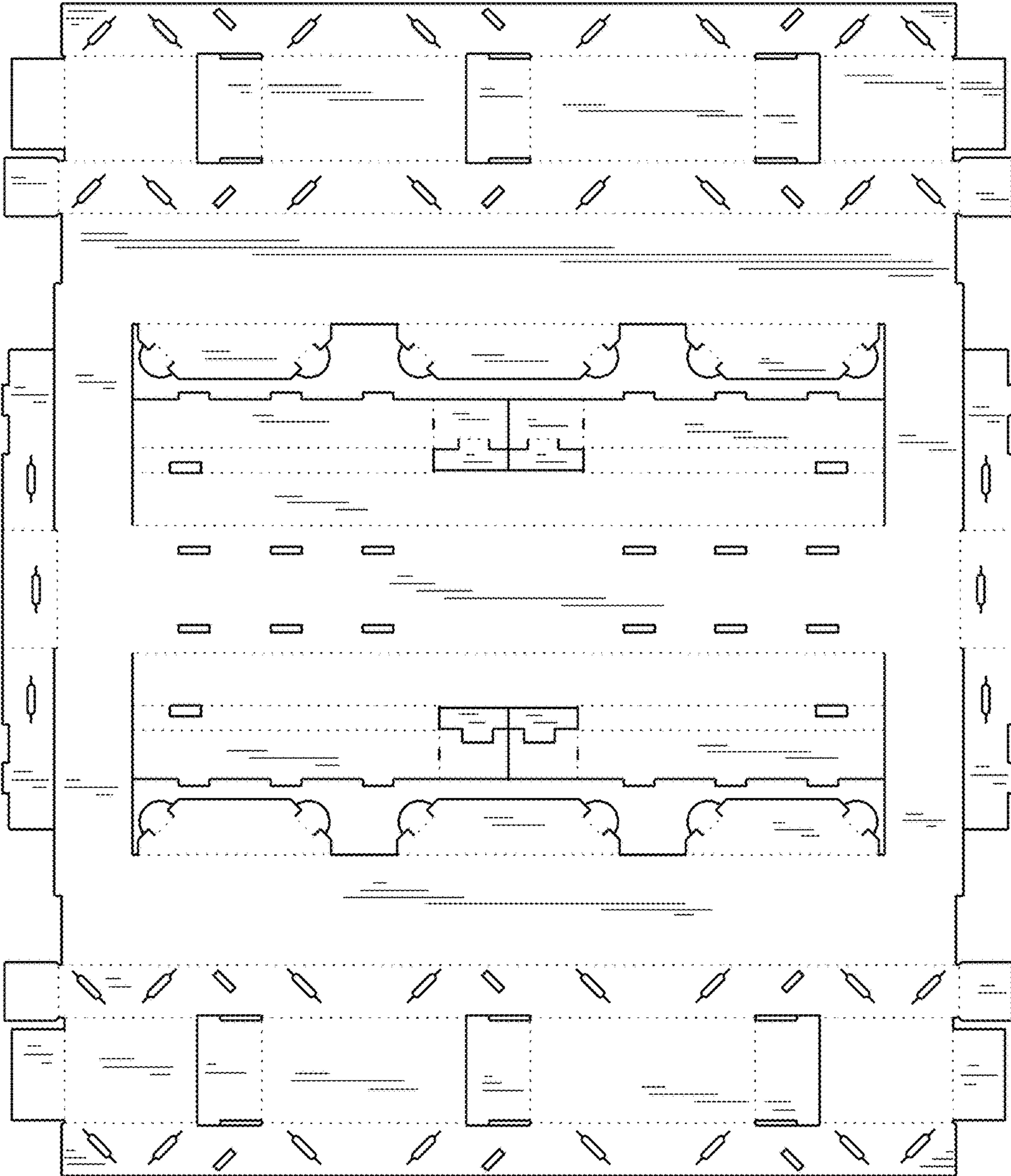


FIG. 2

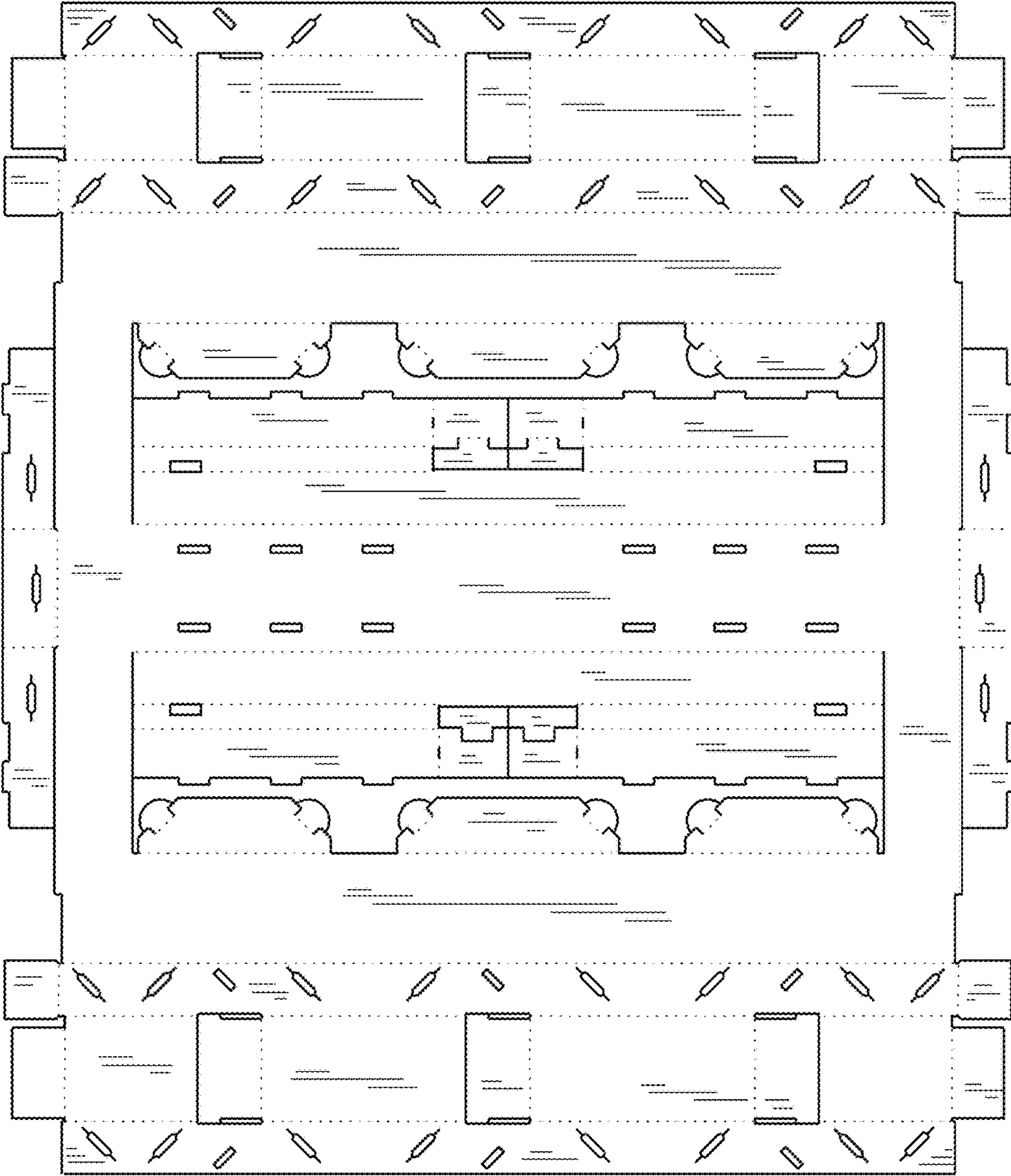


FIG. 3



FIG. 4



FIG. 5



FIG. 6

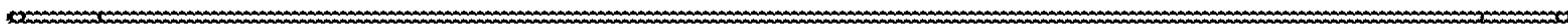


FIG. 7

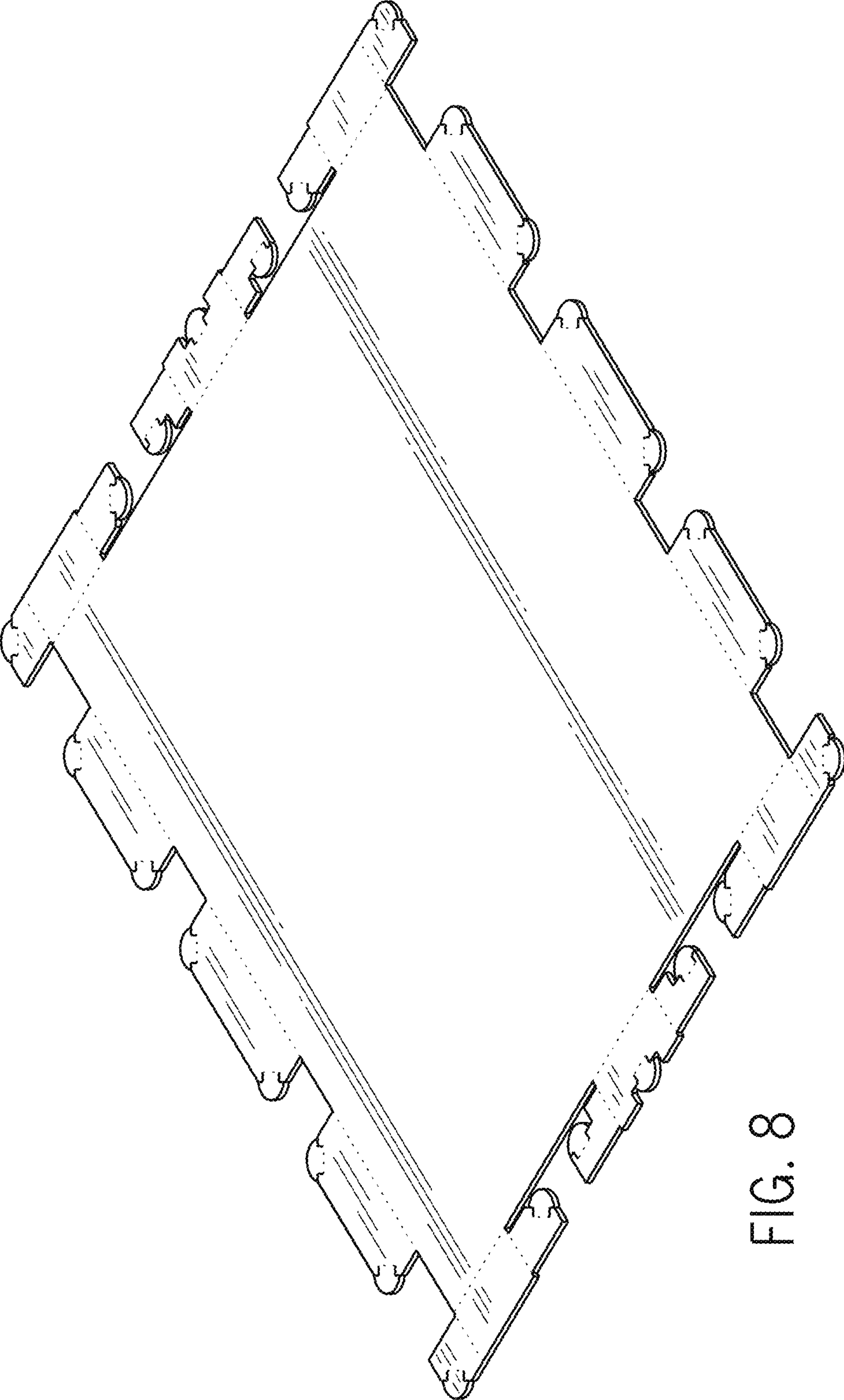


FIG. 8

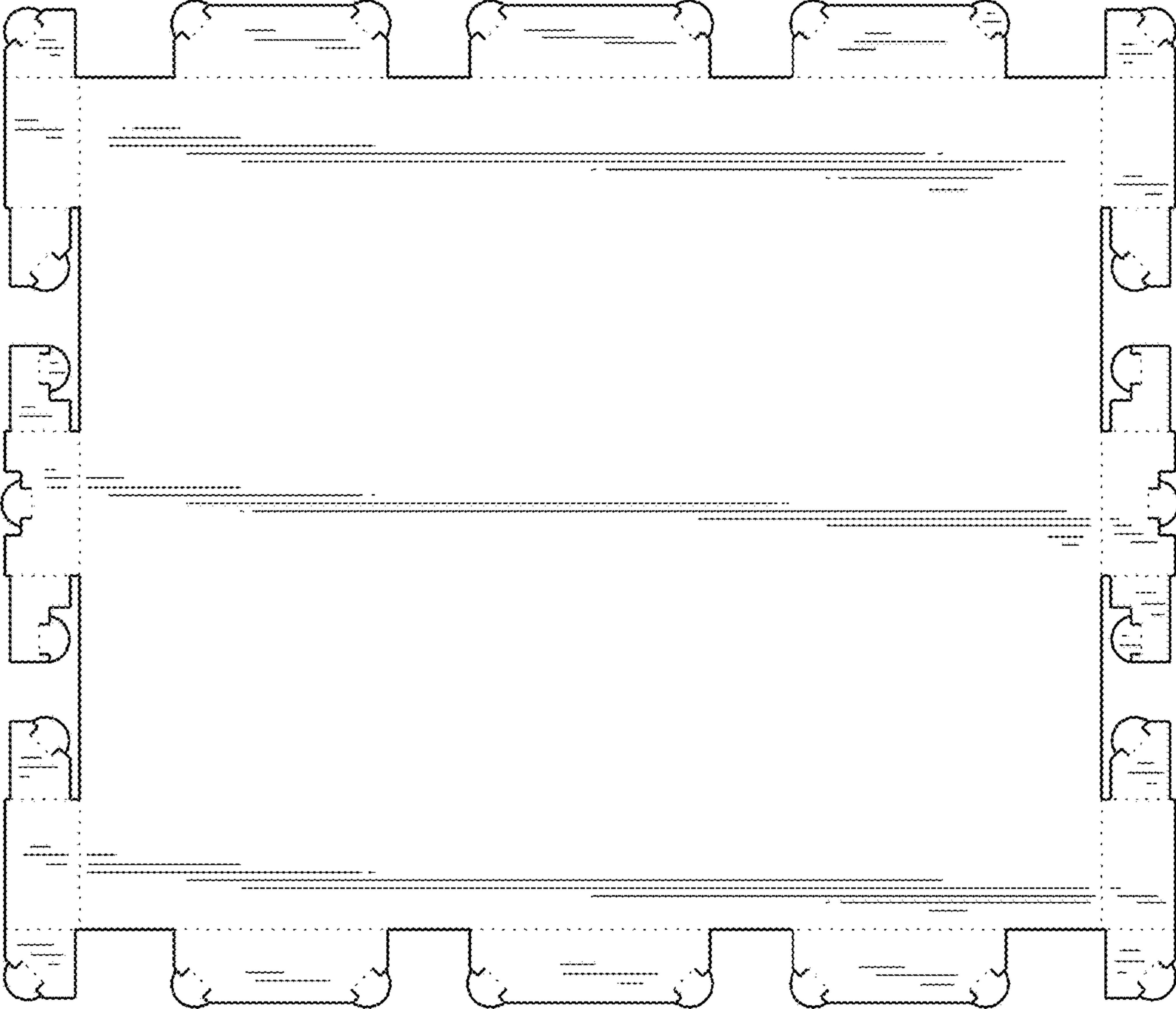


FIG. 9

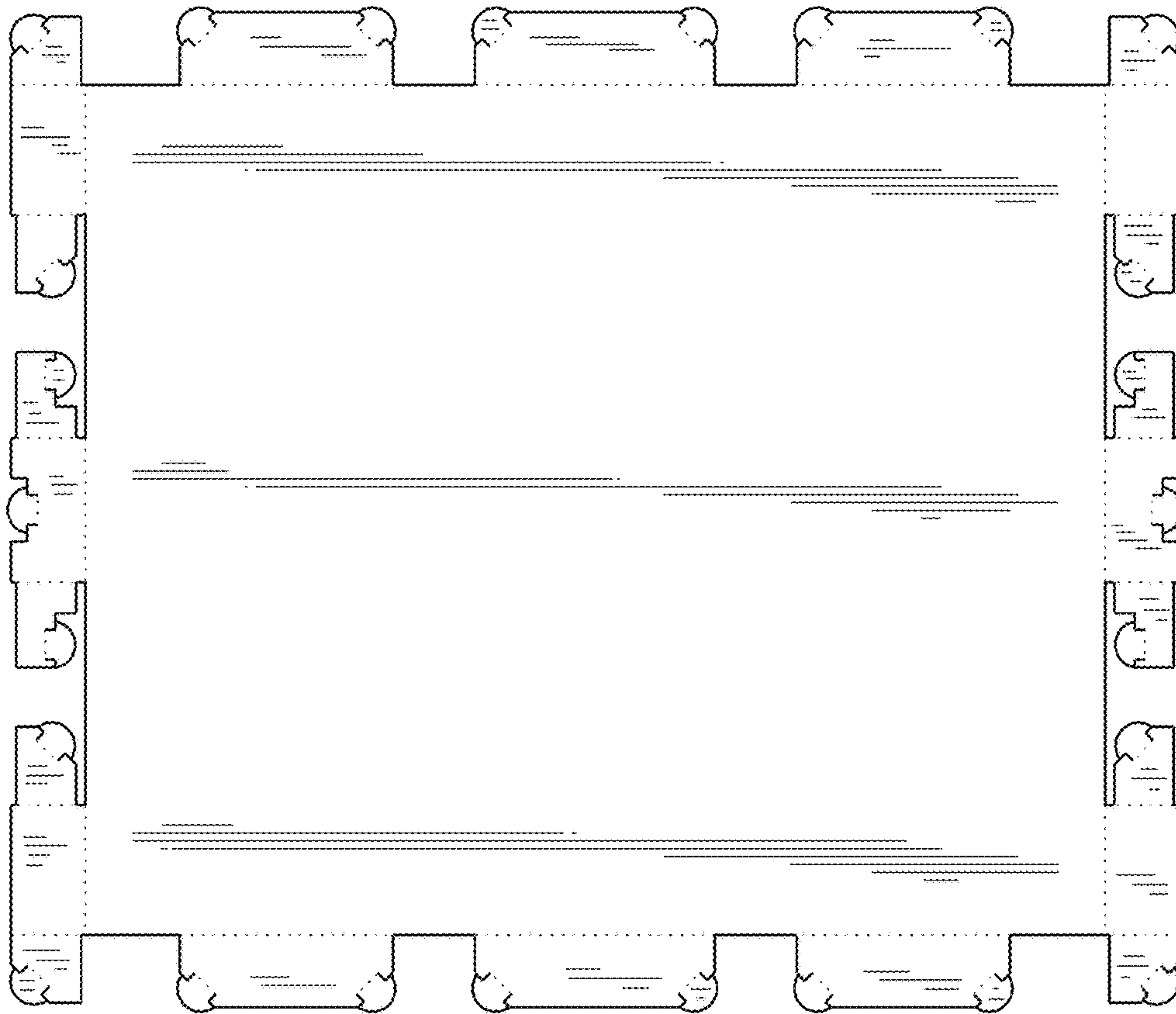


FIG. 10



FIG. 11



FIG. 12

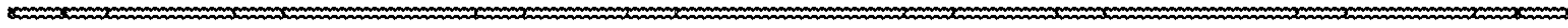


FIG. 13



FIG. 14

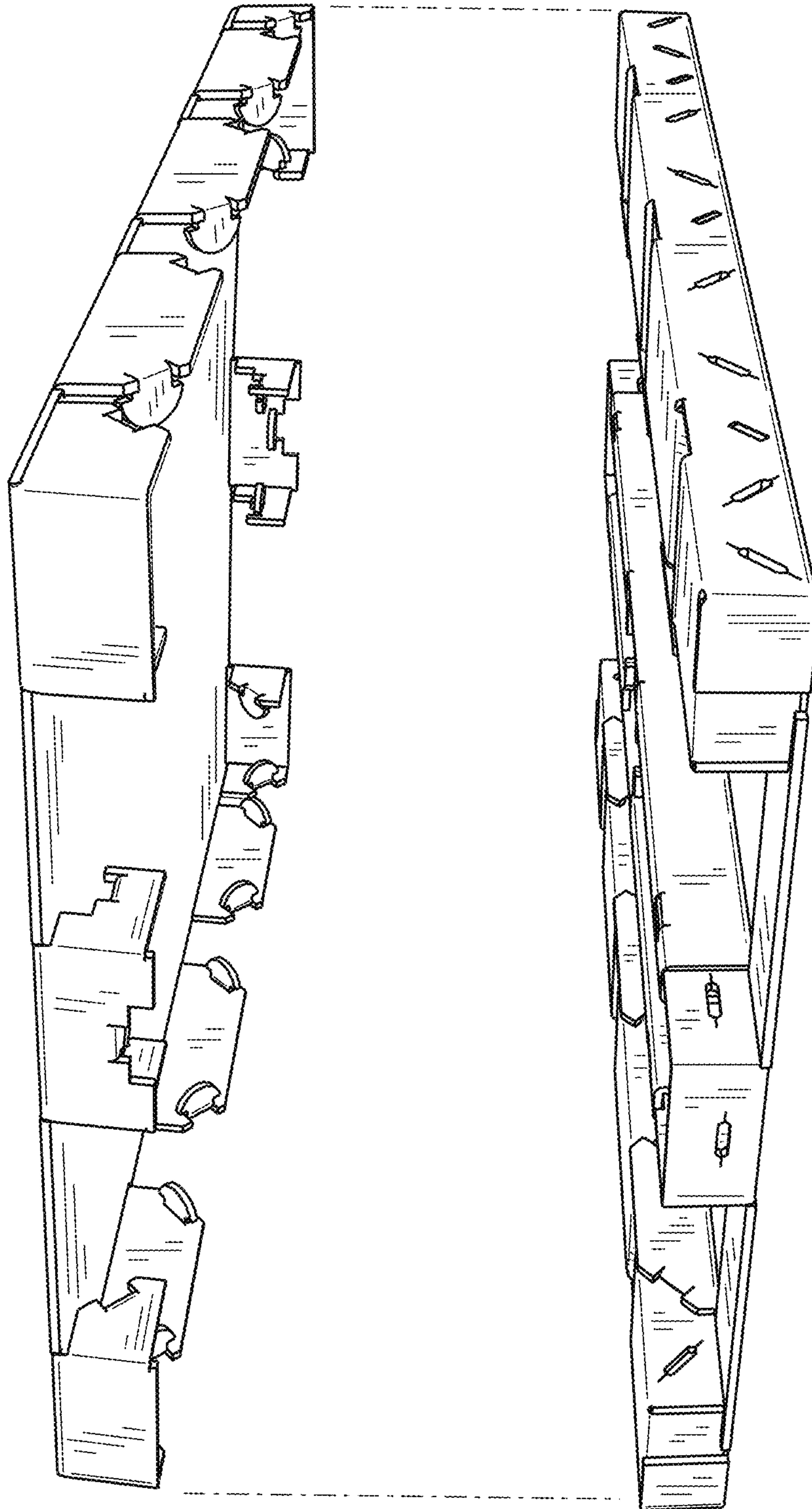


FIG. 15

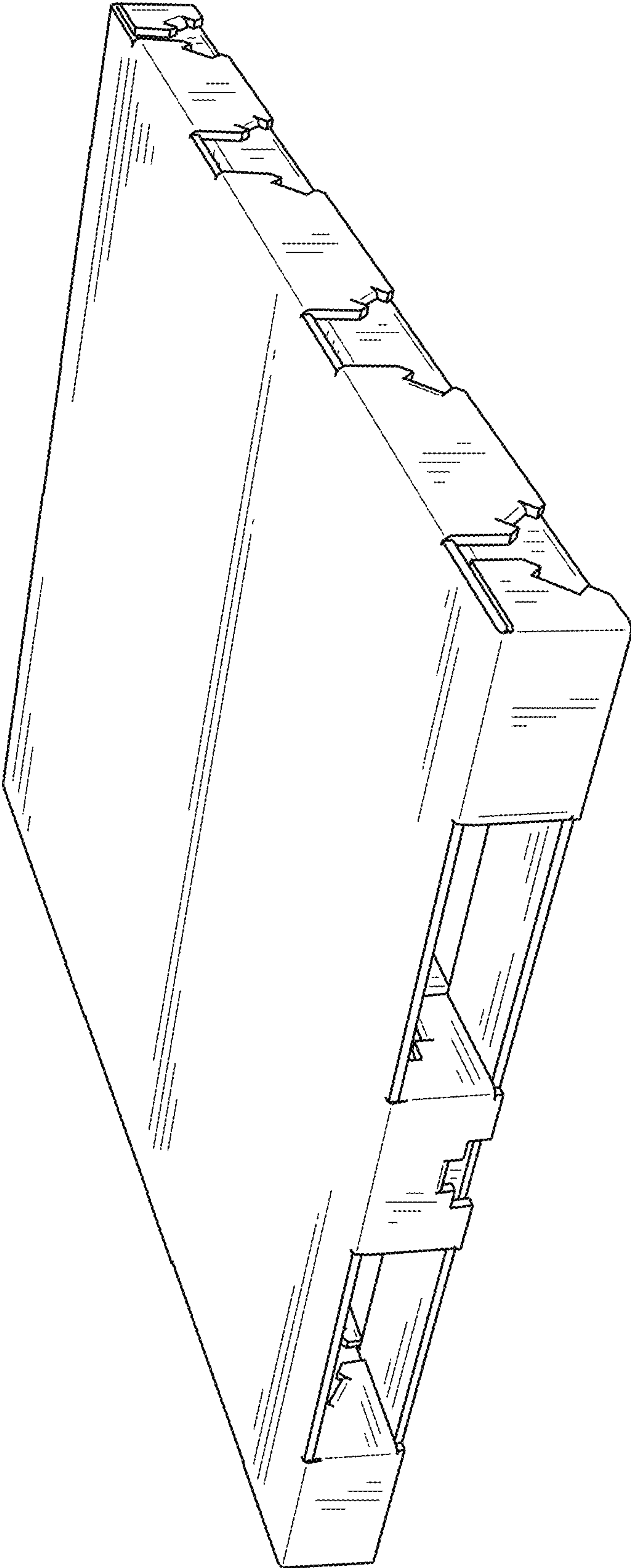


FIG. 16

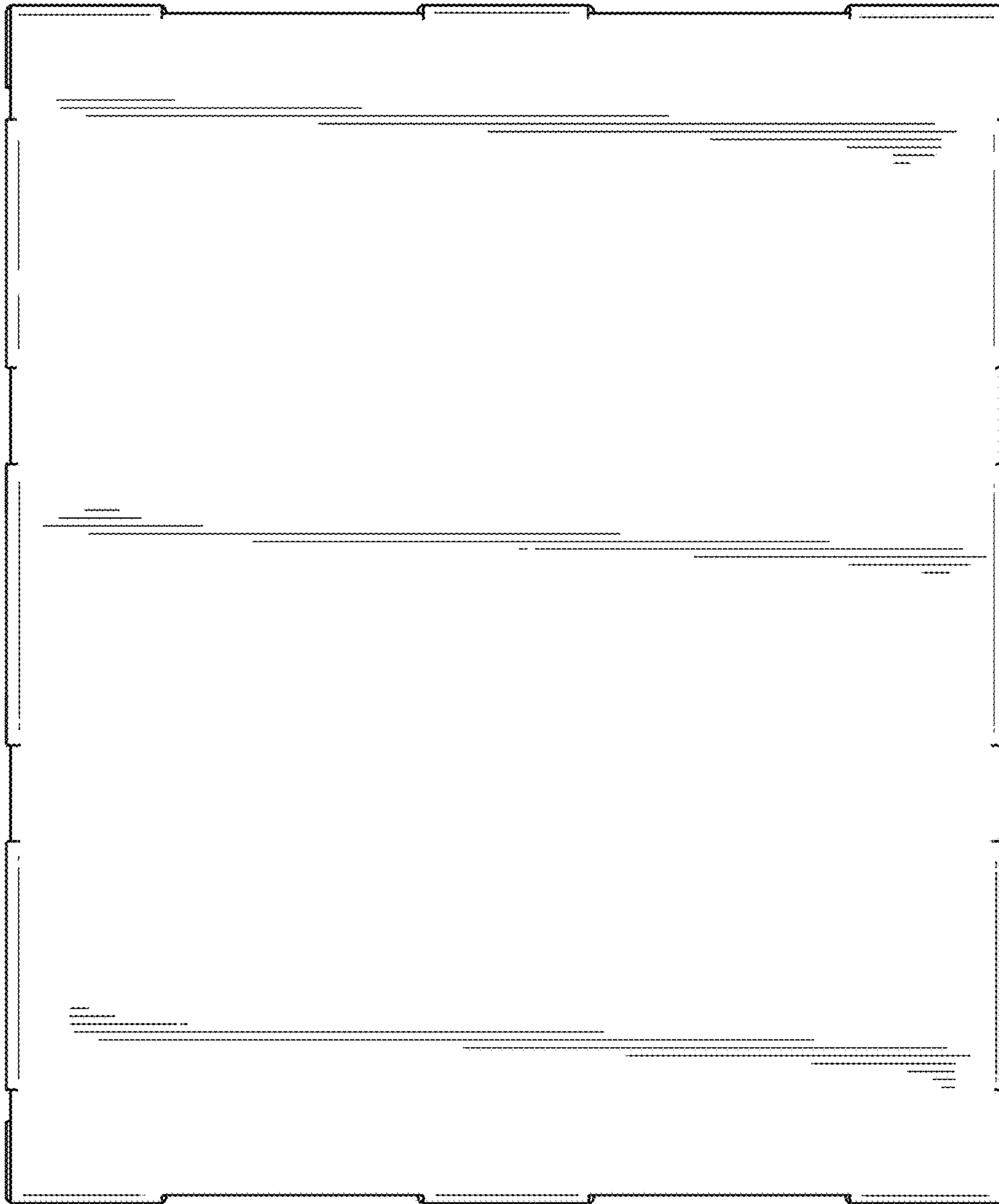


FIG. 17



FIG. 18

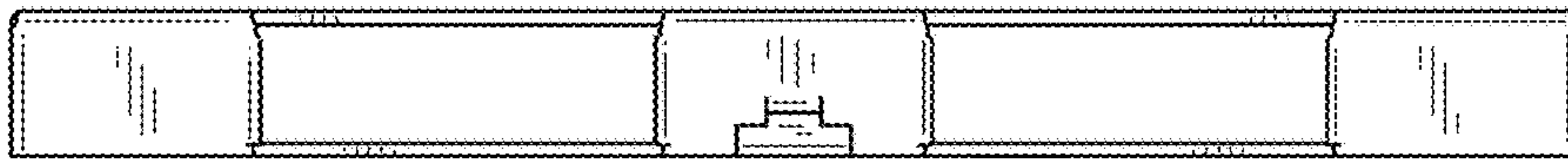


FIG. 19



FIG. 20