



US00D808607S

(12) **United States Design Patent**
Maria Arntz et al.

(10) **Patent No.:** **US D808,607 S**
(45) **Date of Patent:** **** Jan. 23, 2018**

(54) **PART OF SNOW SWEEPER**
(71) Applicant: **Hendrikus Petrus Maria Arntz,**
Eindhoven (NL)
(72) Inventors: **Hendrikus Petrus Maria Arntz,**
Eindhoven (NL); **Theodorus Petrus**
Maria Arntz, Nijmegen (NL)
(**) Term: **15 Years**
(21) Appl. No.: **35/501,090**
(22) Filed: **Dec. 17, 2015**
(80) **Hague Agreement Data**
Int. Filing Date: **Dec. 17, 2015**
Int. Reg. No.: **DM/090208**
Int. Reg. Date: **Dec. 17, 2015**
Int. Reg. Pub. Date: **Jun. 17, 2016**

(51) **LOC (11) Cl.** **12-05**
(52) **U.S. Cl.**
USPC **D34/28**
CPC **B65G 11/023** (2013.01)
(58) **Field of Classification Search**
USPC 37/223-260; D34/28-35; 193/4-6,
193/22-32
CPC ... B65G 11/166; B65G 11/083; B65G 11/026;
B65G 11/146; B65G 2812/085; B65G
2812/082; B28C 5/4248; B28C 5/4251;
B30B 11/24; E01C 19/4893; E01F 7/02;
E01H 5/00; E01H 5/096; E01H 5/09;
E01H 5/097; E01H 5/045; E01H 5/076;
E01H 5/073; E01H 5/092; E01H 5/098
See application file for complete search history.

(56) **References Cited**
U.S. PATENT DOCUMENTS
1,503,669 A * 8/1924 Simon B65G 11/143
193/30

1,561,448 A * 11/1925 Simon B65G 11/063
138/120
2,439,961 A * 4/1948 Bauders B65G 11/146
193/5
3,159,258 A * 12/1964 Magyar B65G 69/00
193/2 R
3,774,741 A * 11/1973 Johnson B65G 11/126
193/10
4,634,285 A * 1/1987 Newberry B28C 5/4251
193/10
4,640,403 A * 2/1987 McDermott B65G 11/083
193/34
D296,834 S * 7/1988 McDermott D34/28
5,184,706 A * 2/1993 Christenson B28C 5/4251
193/10
D345,039 S * 3/1994 Doyle D34/28
5,386,900 A * 2/1995 Horth B65G 11/023
193/2 R
D730,611 S * 5/2015 Arntz D34/28

* cited by examiner

Primary Examiner — Richard E Chilcot

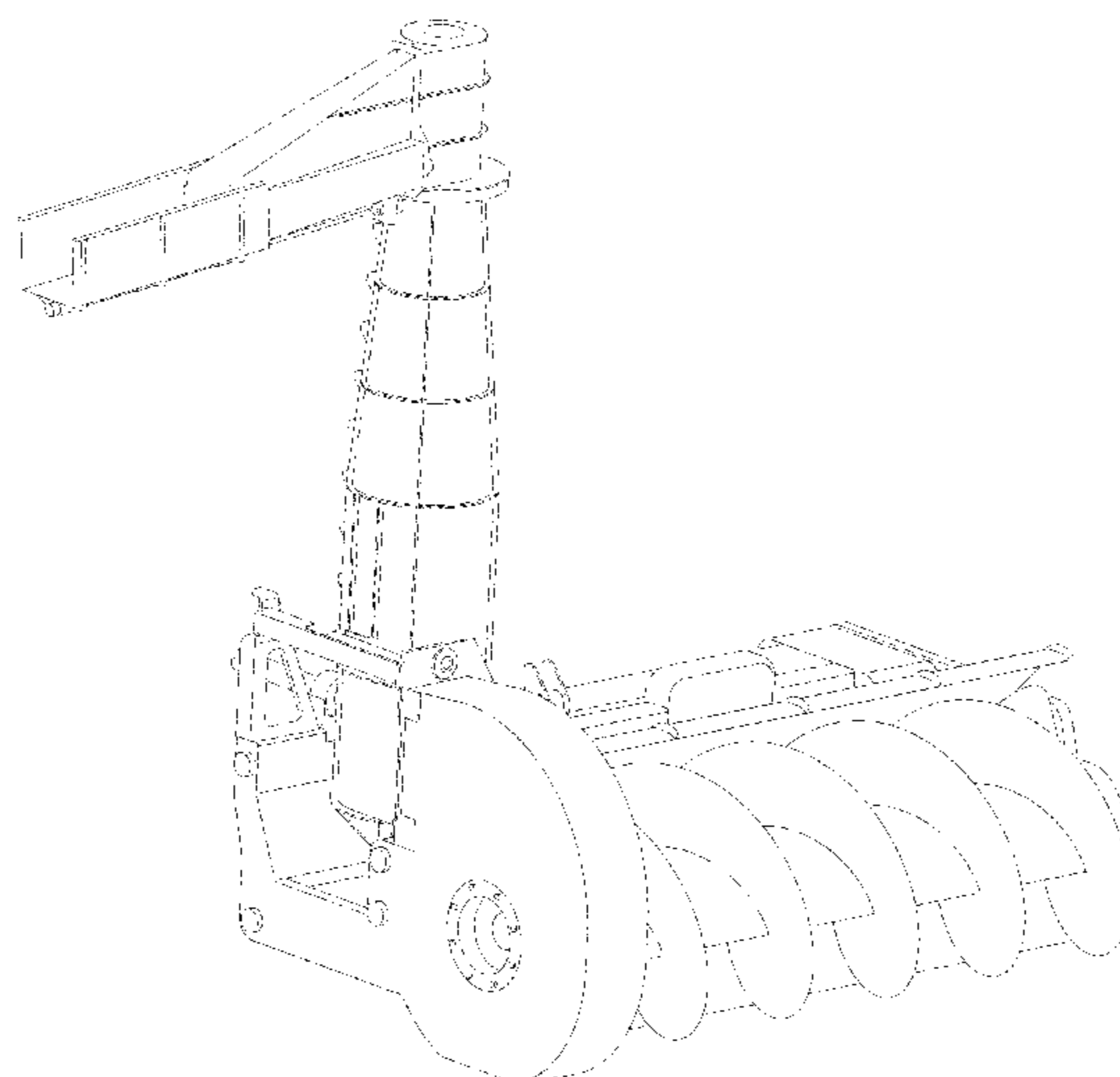
(57) **CLAIM**

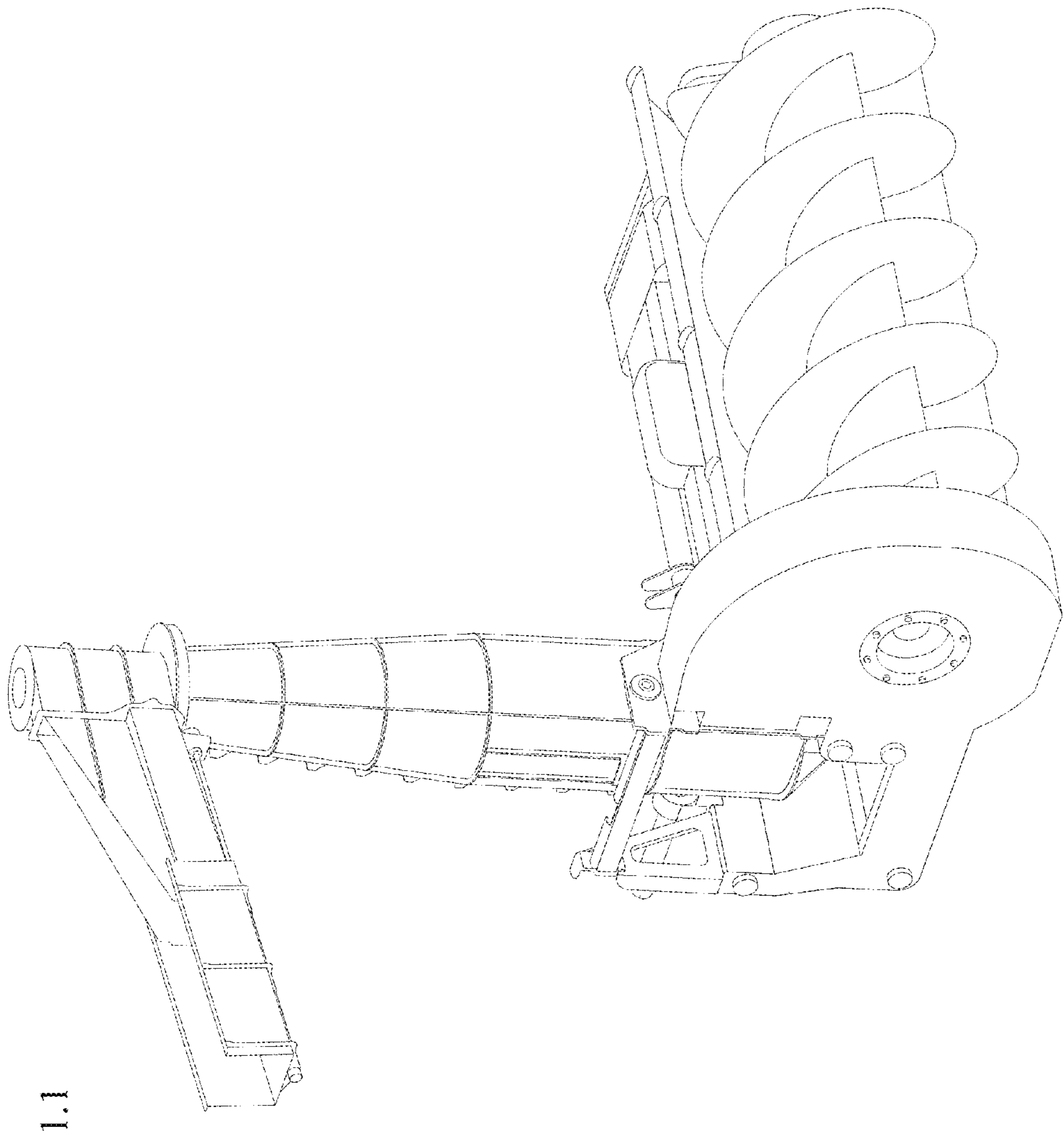
The ornamental design for a part of snow sweeper, as shown and described.

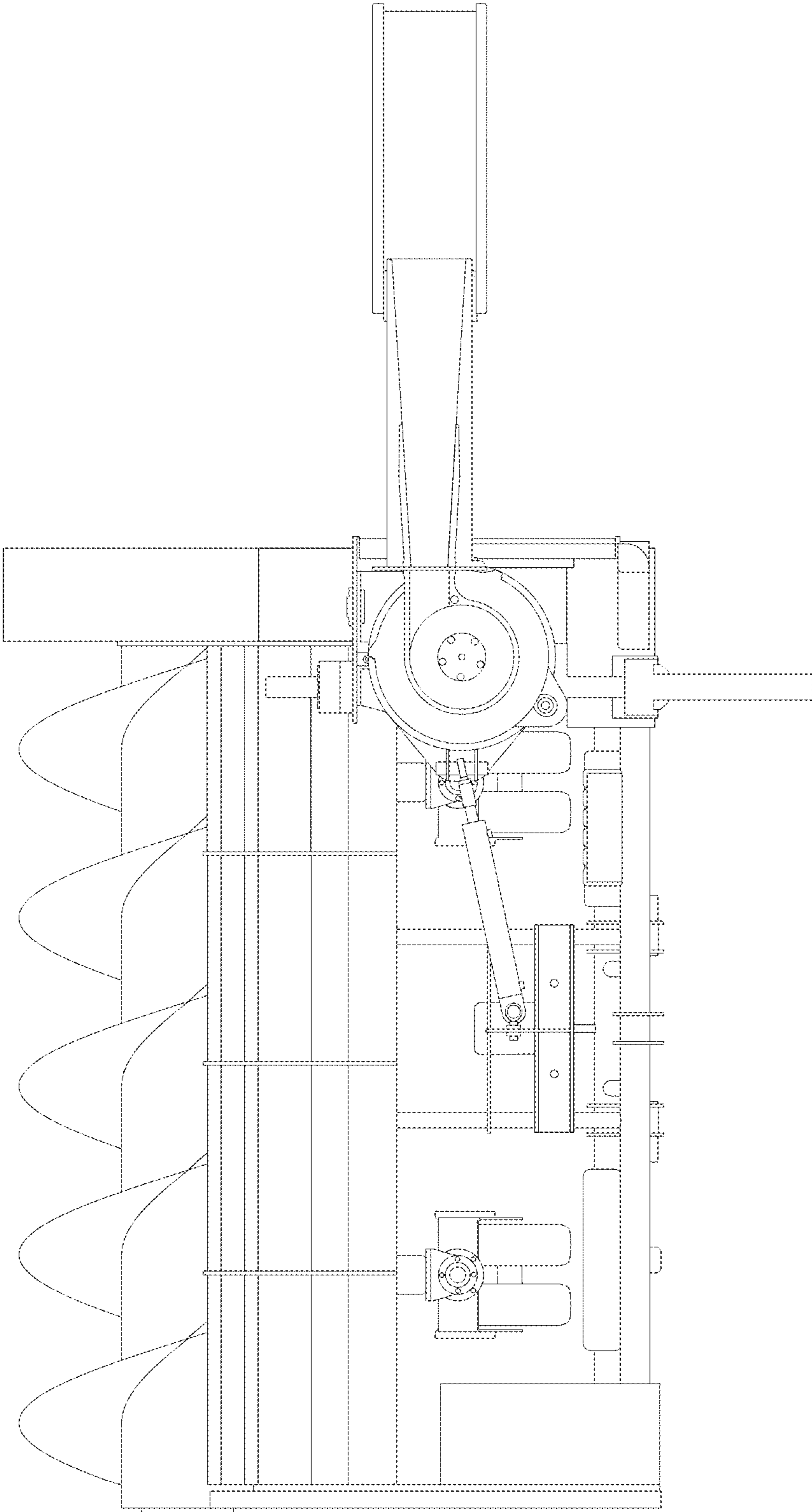
DESCRIPTION

- 1. Part of snow sweeper
- 1.1 : Perspective
- 1.2 : Top
- 1.3 : Right
- 1.4 : Front
- 1.5 : Back
- 1.6 : Left
- 1.7 : Collapsed perspective

1 Claim, 7 Drawing Sheets

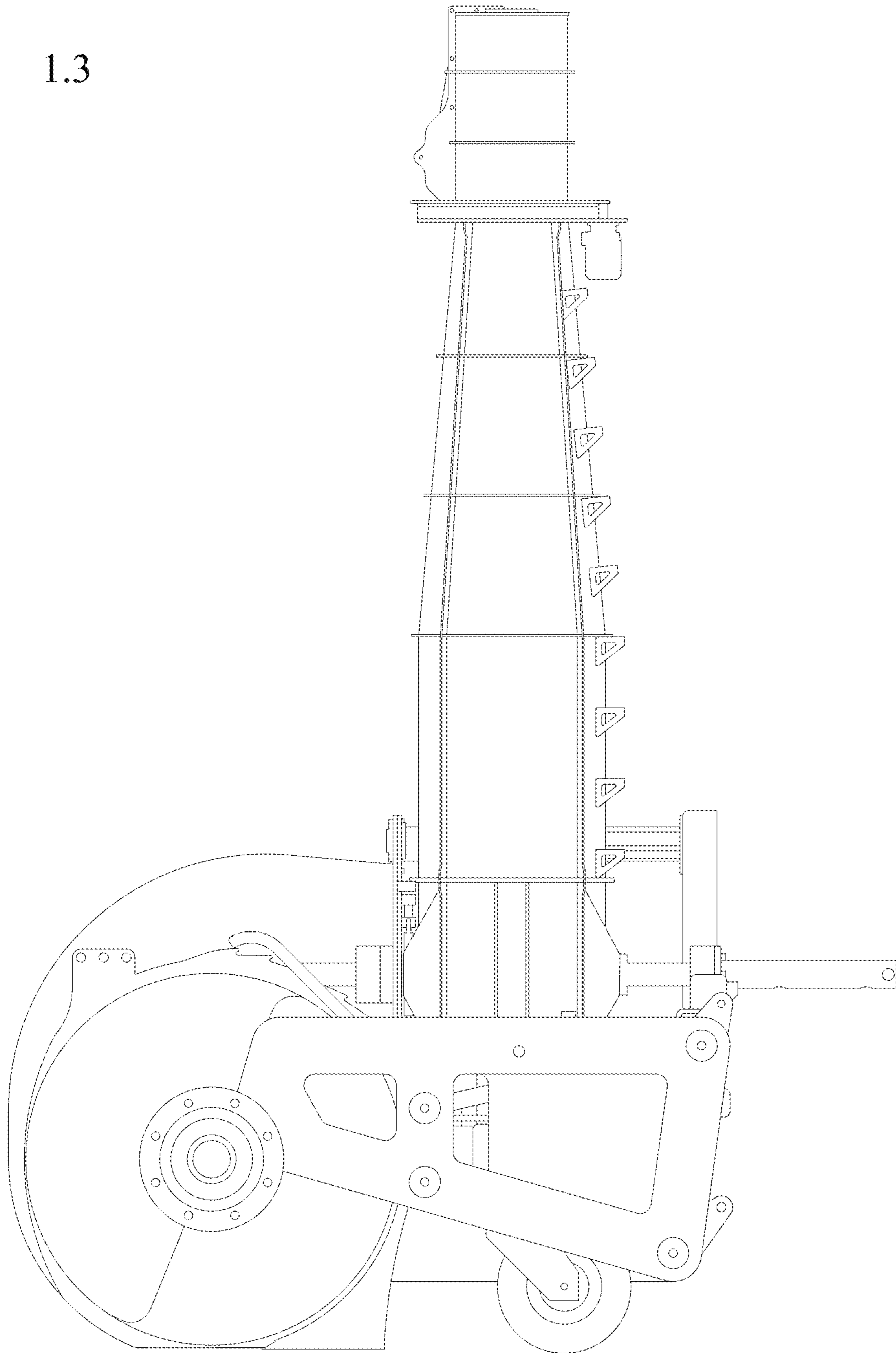


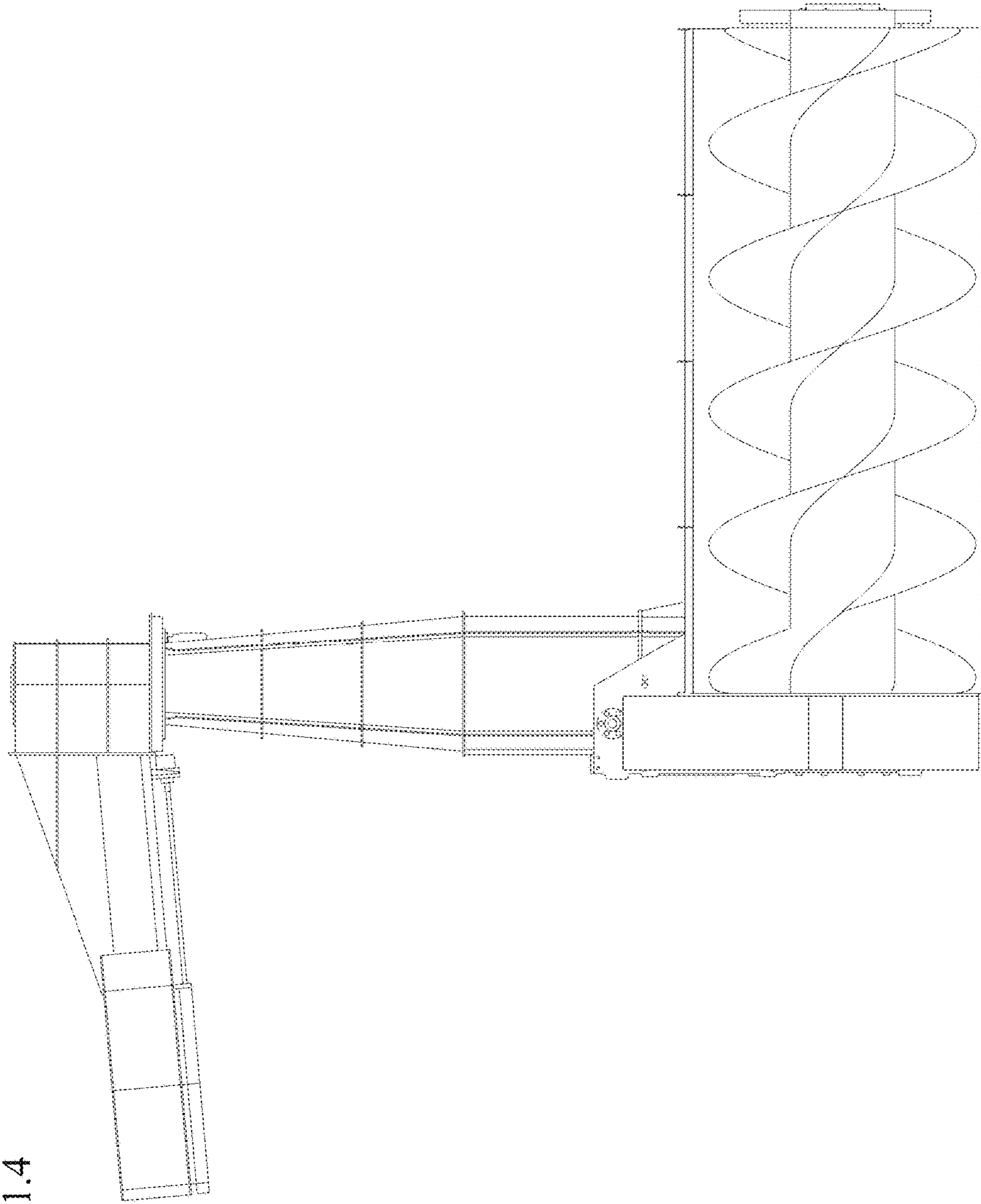


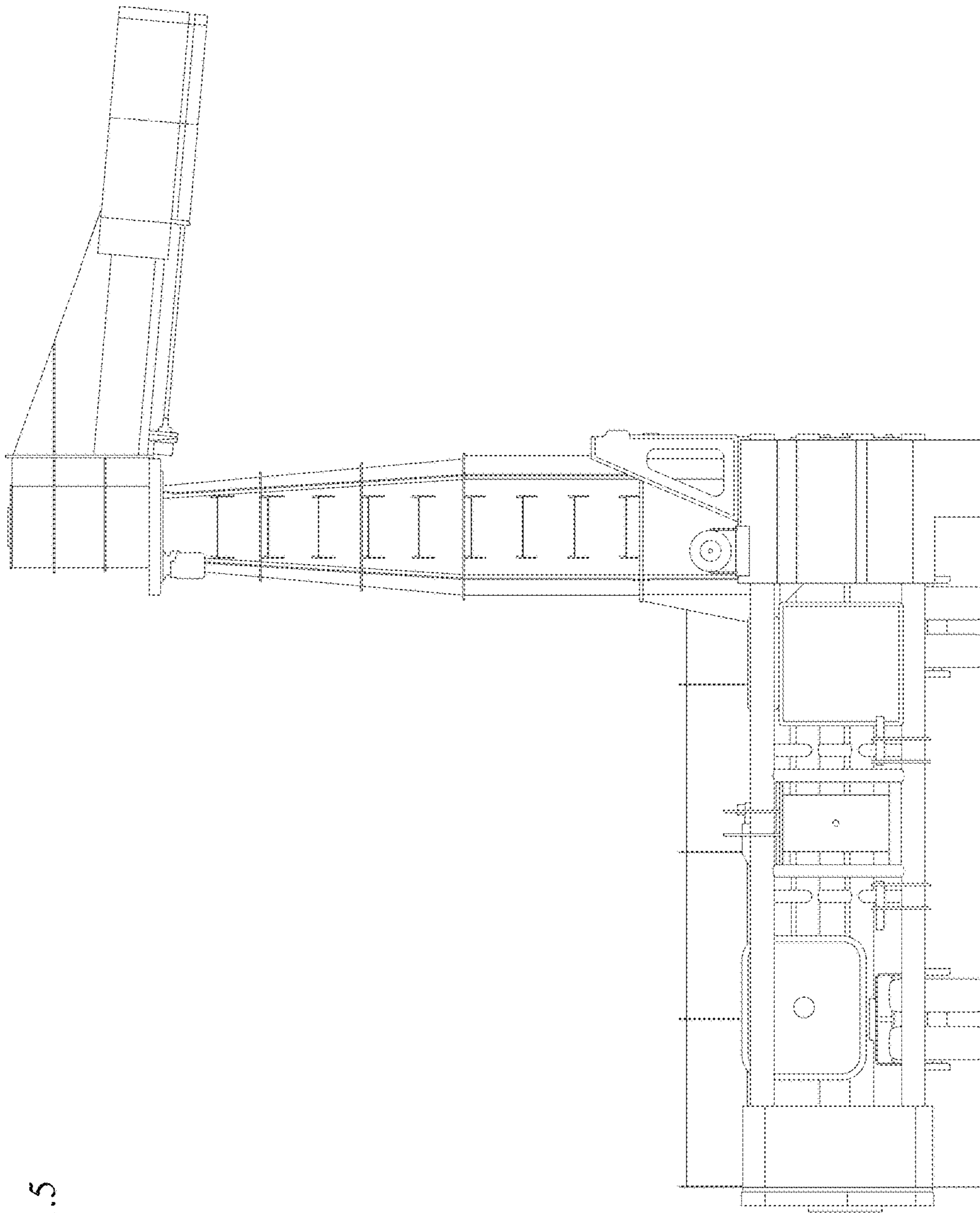


1.2

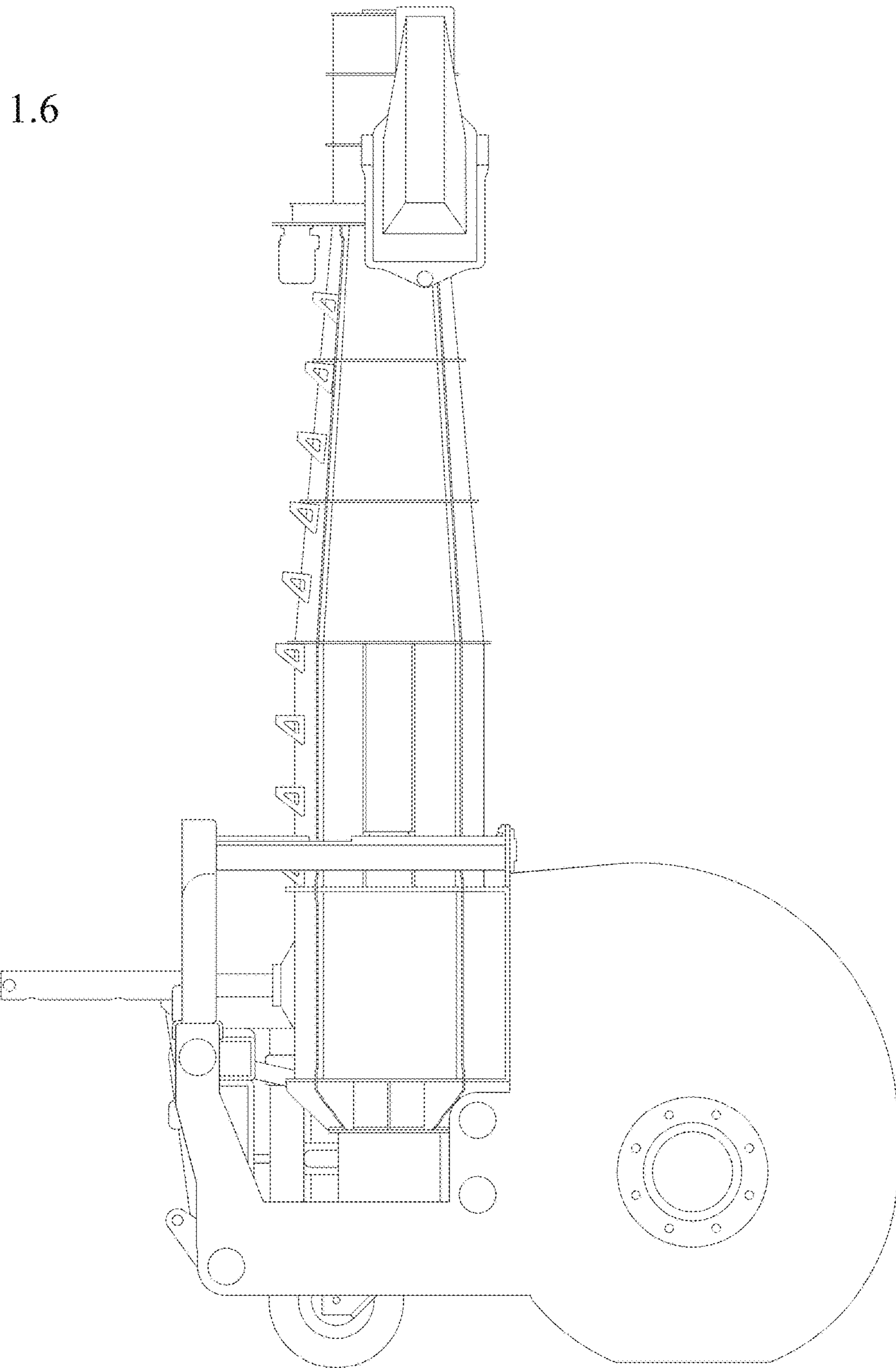
1.3

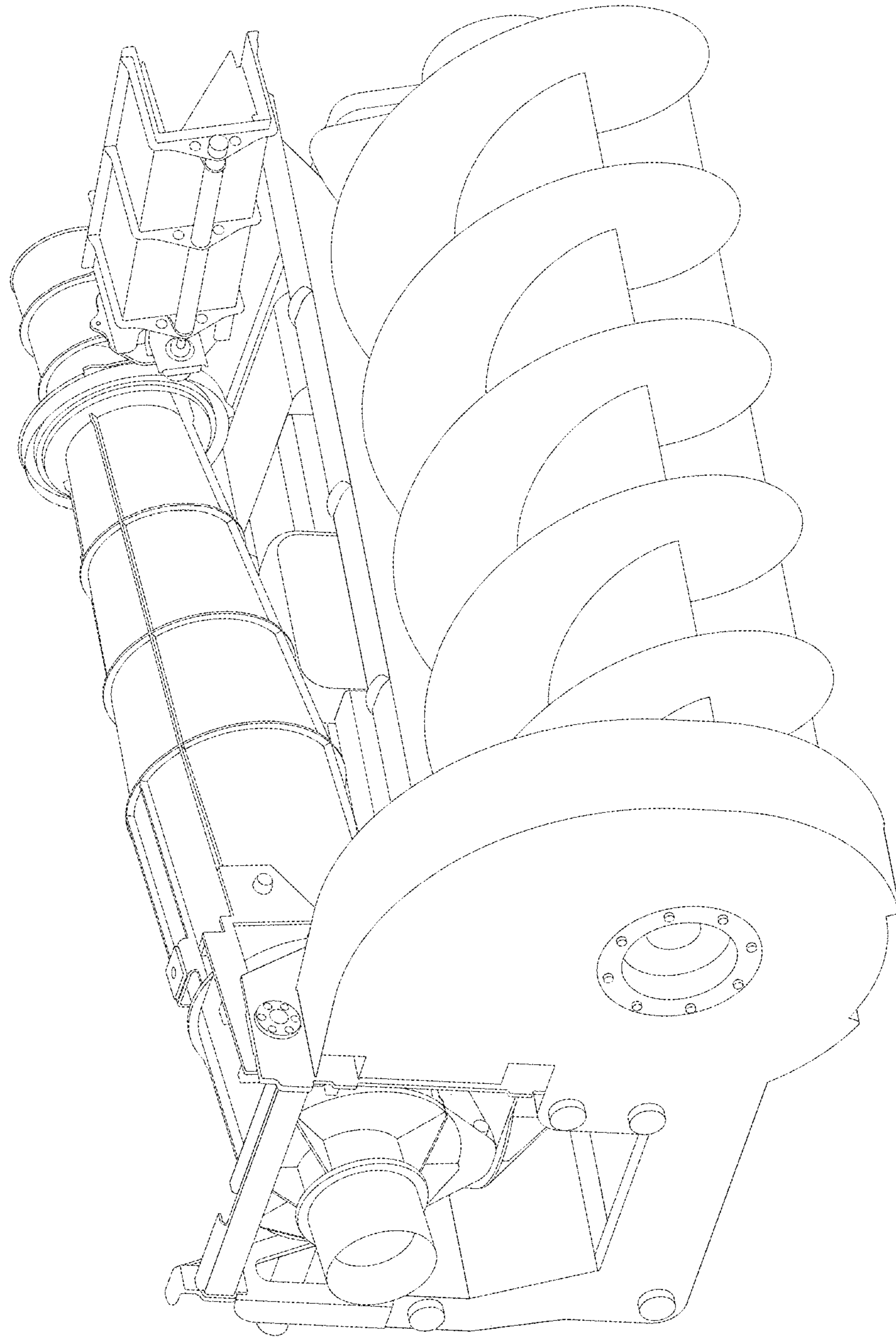






1.5





1.7