



US00D808604S

(12) **United States Design Patent** (10) **Patent No.:** **US D808,604 S**
Yuan et al. (45) **Date of Patent:** **** Jan. 23, 2018**

(54) **SINK CRADLE**
(71) Applicant: **Spectrum Diversified Designs, LLC**,
Streetsboro, OH (US)
(72) Inventors: **Xuemei Yuan**, Buffalo, NY (US);
Aaron D. Goodman, Beachwood, OH
(US)
(73) Assignee: **Spectrum Diversified Designs, LLC**,
Streetsboro, OH (US)
(**) Term: **15 Years**
(21) Appl. No.: **29/596,724**
(22) Filed: **Mar. 10, 2017**
(51) **LOC (11) Cl.** **07-05**
(52) **U.S. Cl.**
USPC **D32/55**
(58) **Field of Classification Search**
USPC D32/55, 276, 3; D6/510, 525; D30/133;
211/41.5, 41.4, 41.3, 41.8; 361/679.4;
312/311, 333, 334.4; D7/354, 629
CPC .. A47L 15/505; A47L 15/503; A47L 15/0013;
A47L 19/02; A47L 19/04; A47J 47/20
See application file for complete search history.

D653,053 S * 1/2012 Goodman D6/678.4
D668,496 S * 10/2012 Ho D6/553
D675,049 S * 1/2013 Goodman D6/513
D691,774 S * 10/2013 Goodman D32/55
D692,633 S * 10/2013 Goodman D32/55
D718,510 S * 11/2014 Goodman D32/55
D723,760 S * 3/2015 Goodman D32/55
D723,761 S * 3/2015 Goodman D32/55
D734,818 S * 7/2015 Goodman D19/90
D757,460 S 5/2016 Goodman et al.
D759,990 S * 6/2016 Goodman D6/566
D762,035 S * 7/2016 Cooper D32/55
D762,397 S * 8/2016 Goodman D6/537
D762,934 S * 8/2016 Evans D32/55
D773,846 S * 12/2016 Chang D6/537
D795,519 S * 8/2017 Goodman D32/55

* cited by examiner

Primary Examiner — Austin Murphy

(74) *Attorney, Agent, or Firm* — Renner, Otto, Boisselle
and Sklar, LLP

(57) **CLAIM**

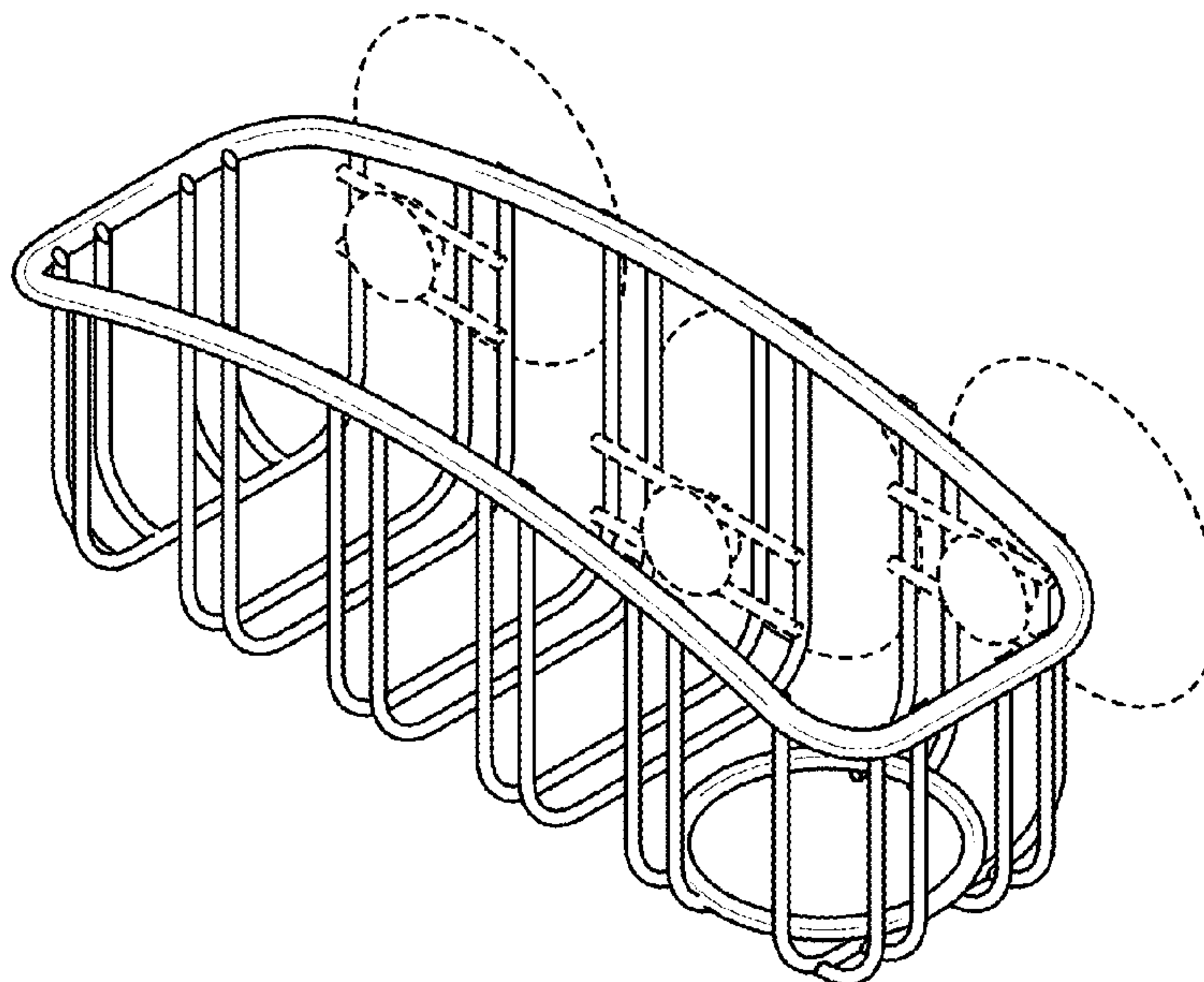
The ornamental design for a sink cradle, as shown and
described.

DESCRIPTION

FIG. 1 is a top, front, right perspective view of a sink cradle
showing our new design;
FIG. 2 is a front elevation view thereof;
FIG. 3 is a rear elevation view thereof;
FIG. 4 is a right side elevation view thereof;
FIG. 5 is a left side elevation view thereof;
FIG. 6 is a top plan view thereof; and,
FIG. 7 is a bottom plan view thereof.
The broken line showing represents unclaimed portions of
the sink cradle and forms no part of the claimed design.

1 Claim, 4 Drawing Sheets

(56) **References Cited**
U.S. PATENT DOCUMENTS
D449,480 S * 10/2001 Snell D6/525
D453,651 S * 2/2002 Snell D6/537
D563,708 S * 3/2008 Snell D6/566
D578,816 S * 10/2008 Goodman D6/566
D612,648 S * 3/2010 Guindi D6/525
D633,343 S * 3/2011 Goodman D7/631
D635,383 S * 4/2011 Yang D6/525
D637,850 S * 5/2011 Ghiorghie D3/306



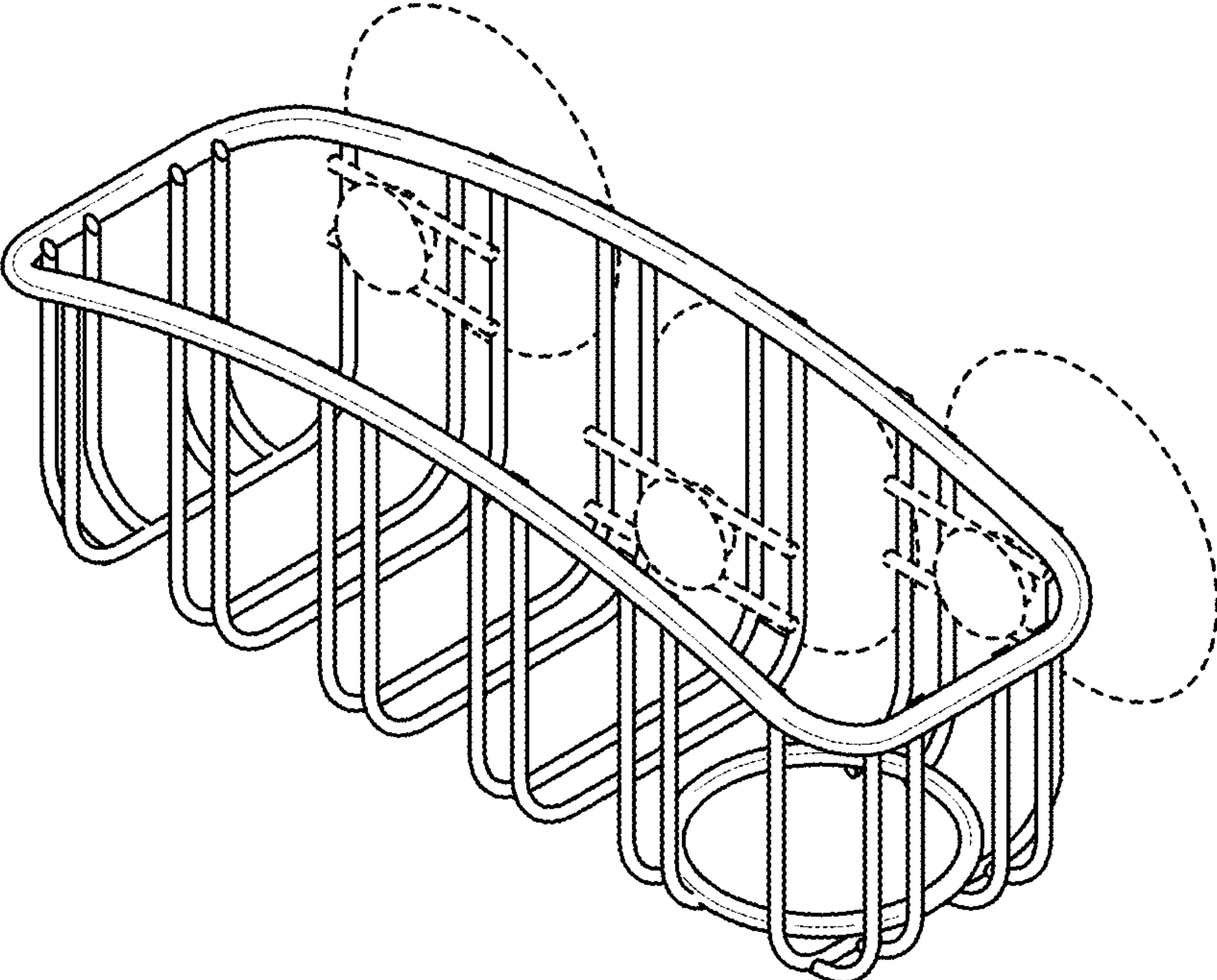


FIG. 1

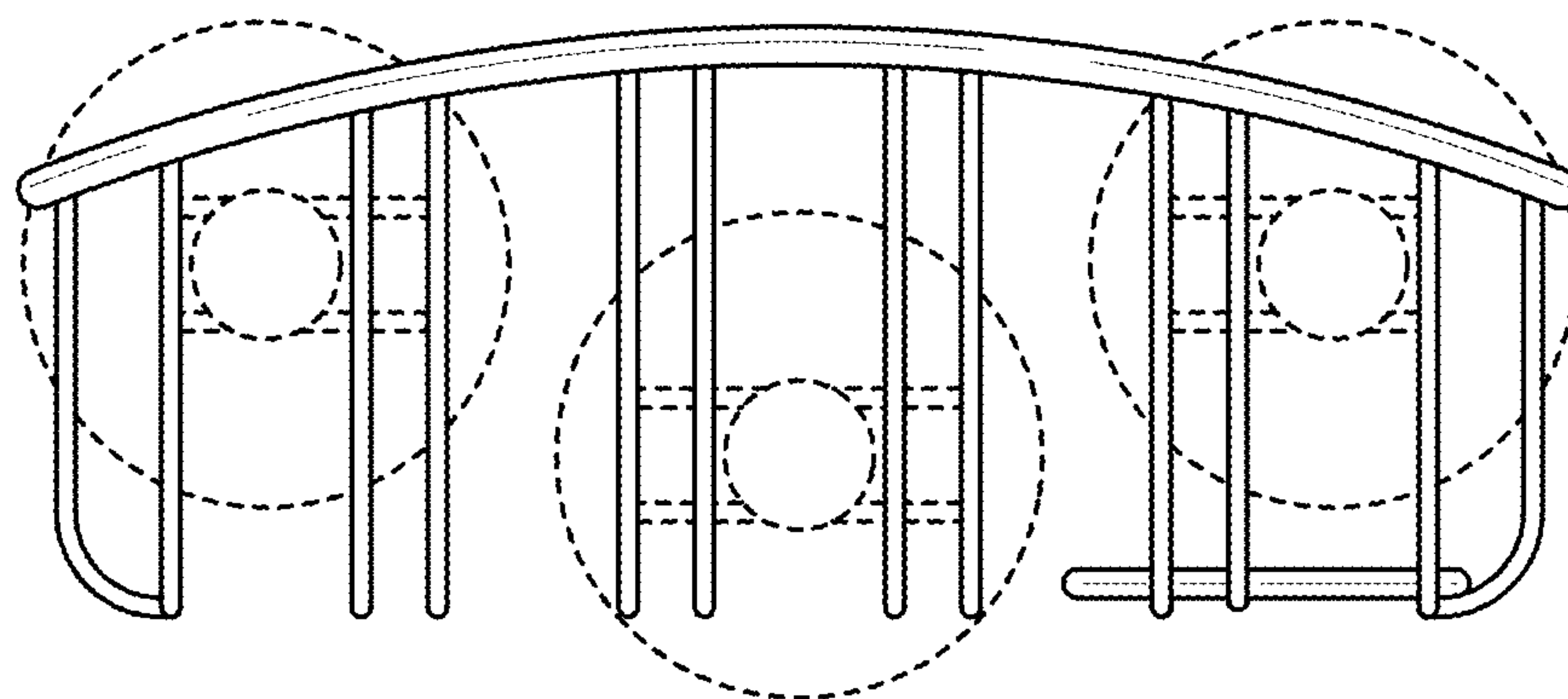


FIG. 2

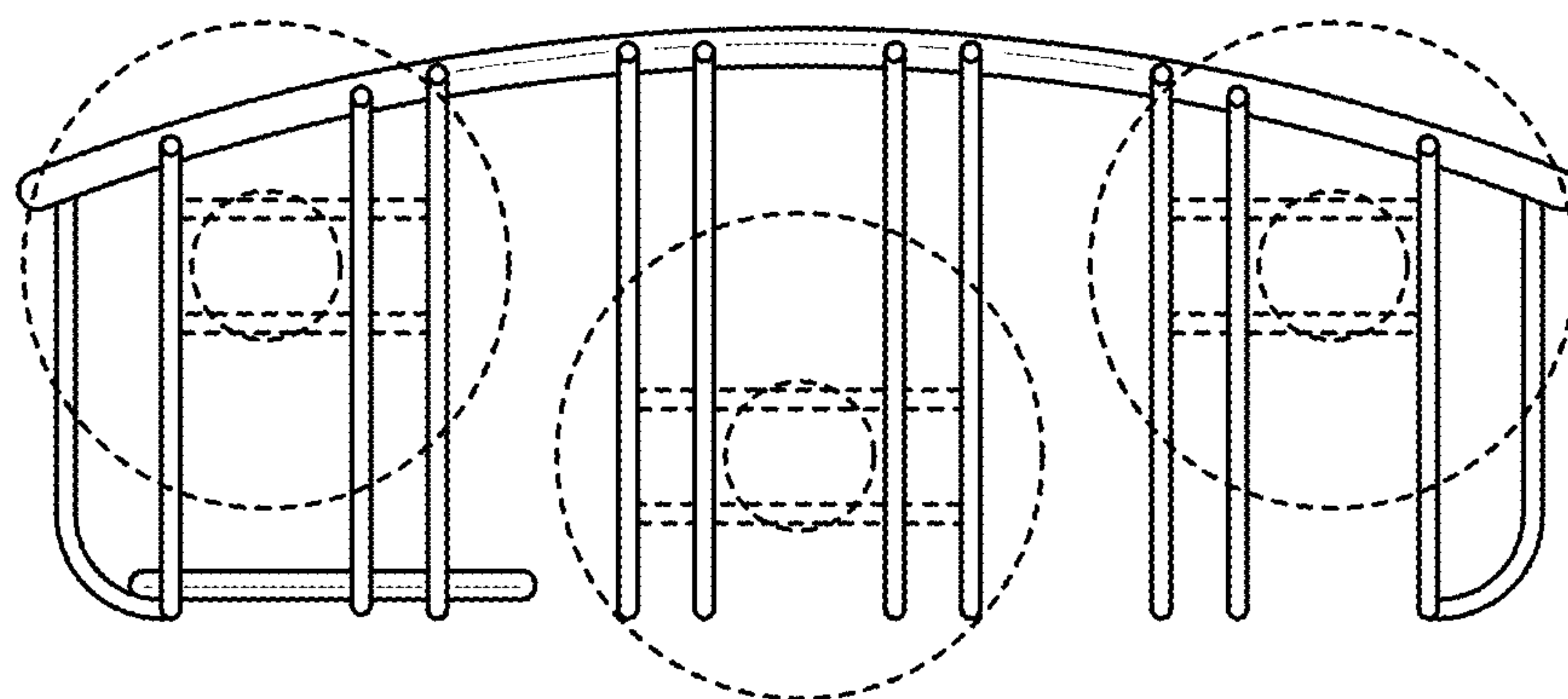


FIG. 3

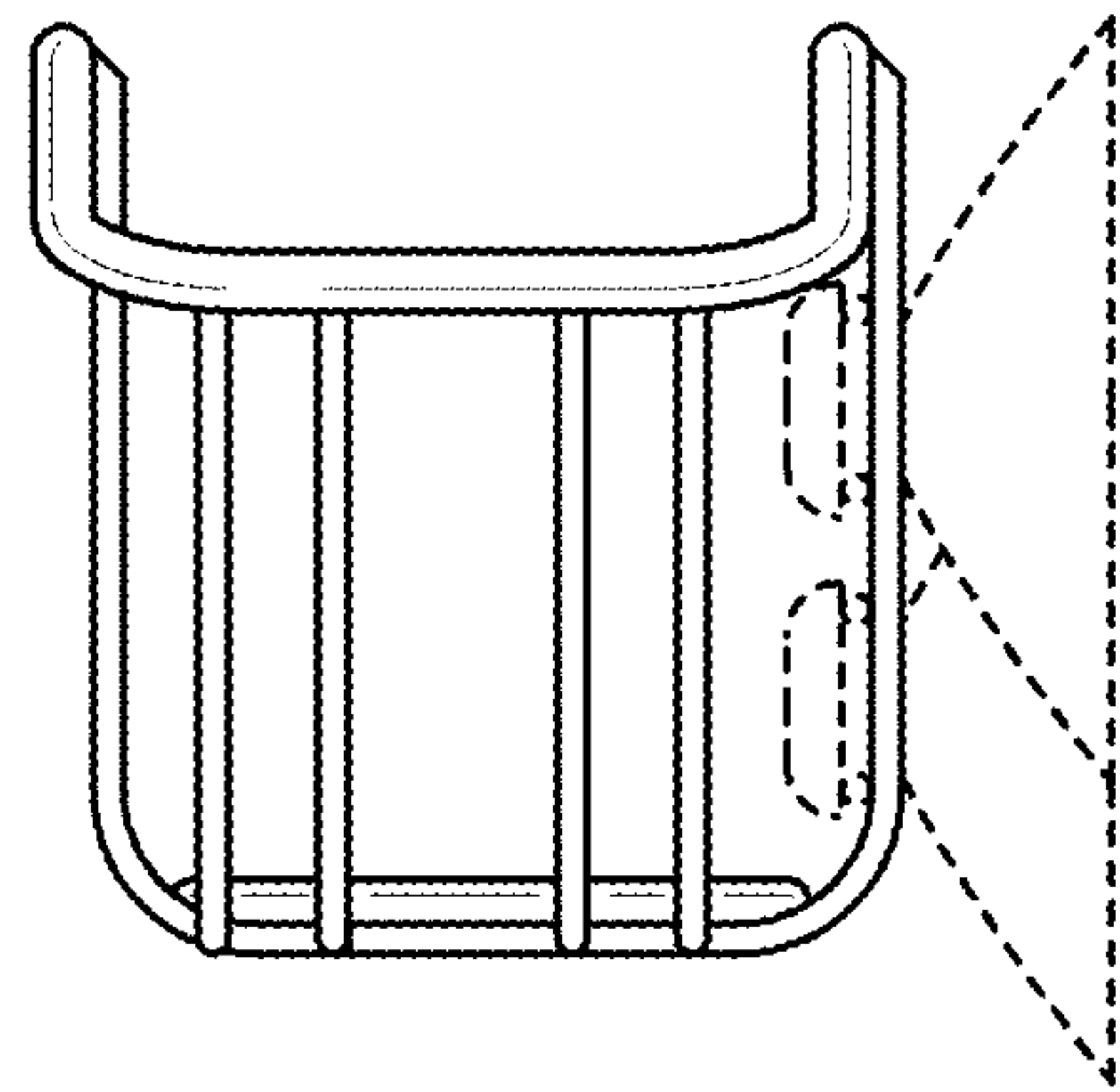
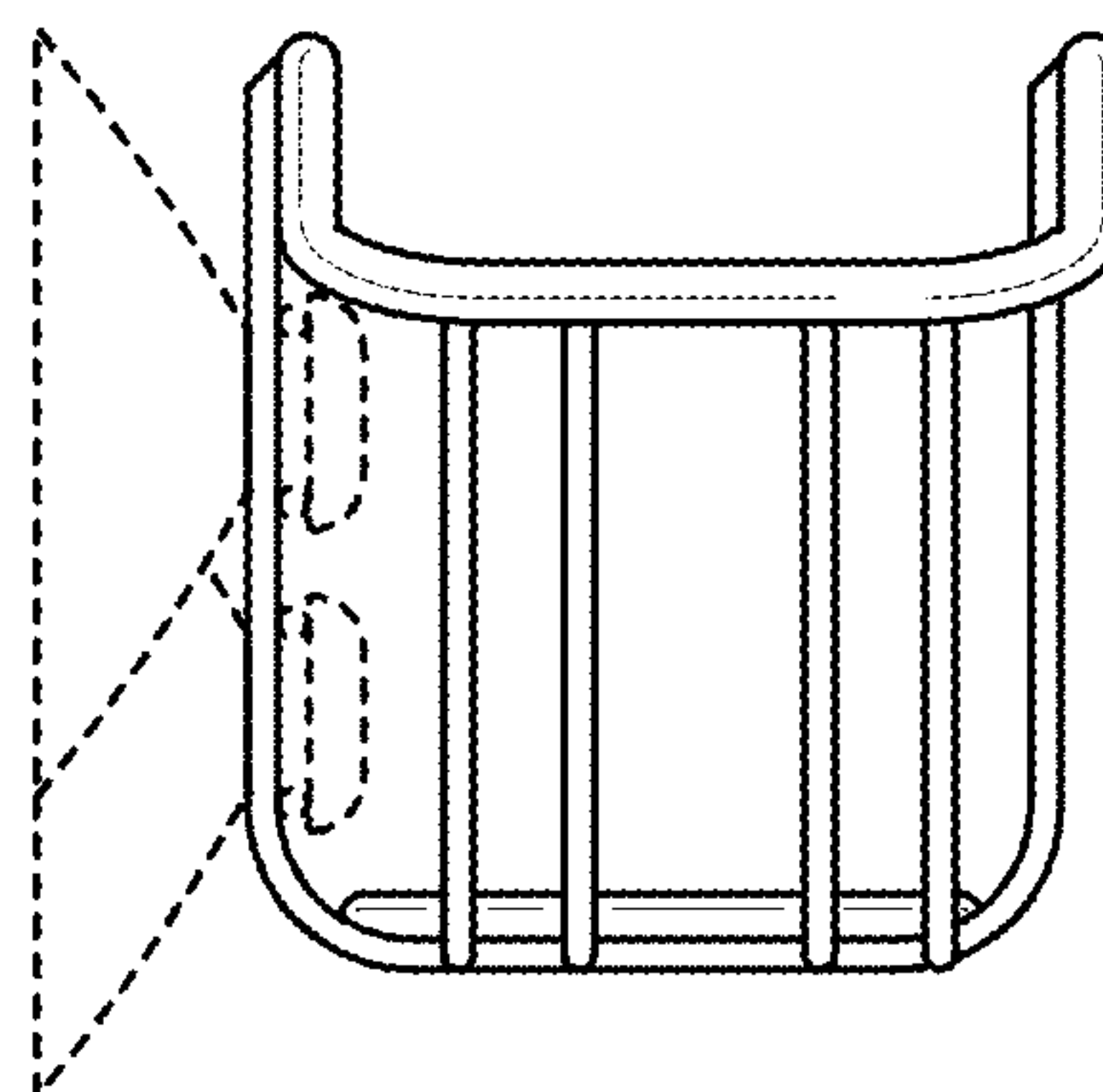


FIG. 4

FIG. 5



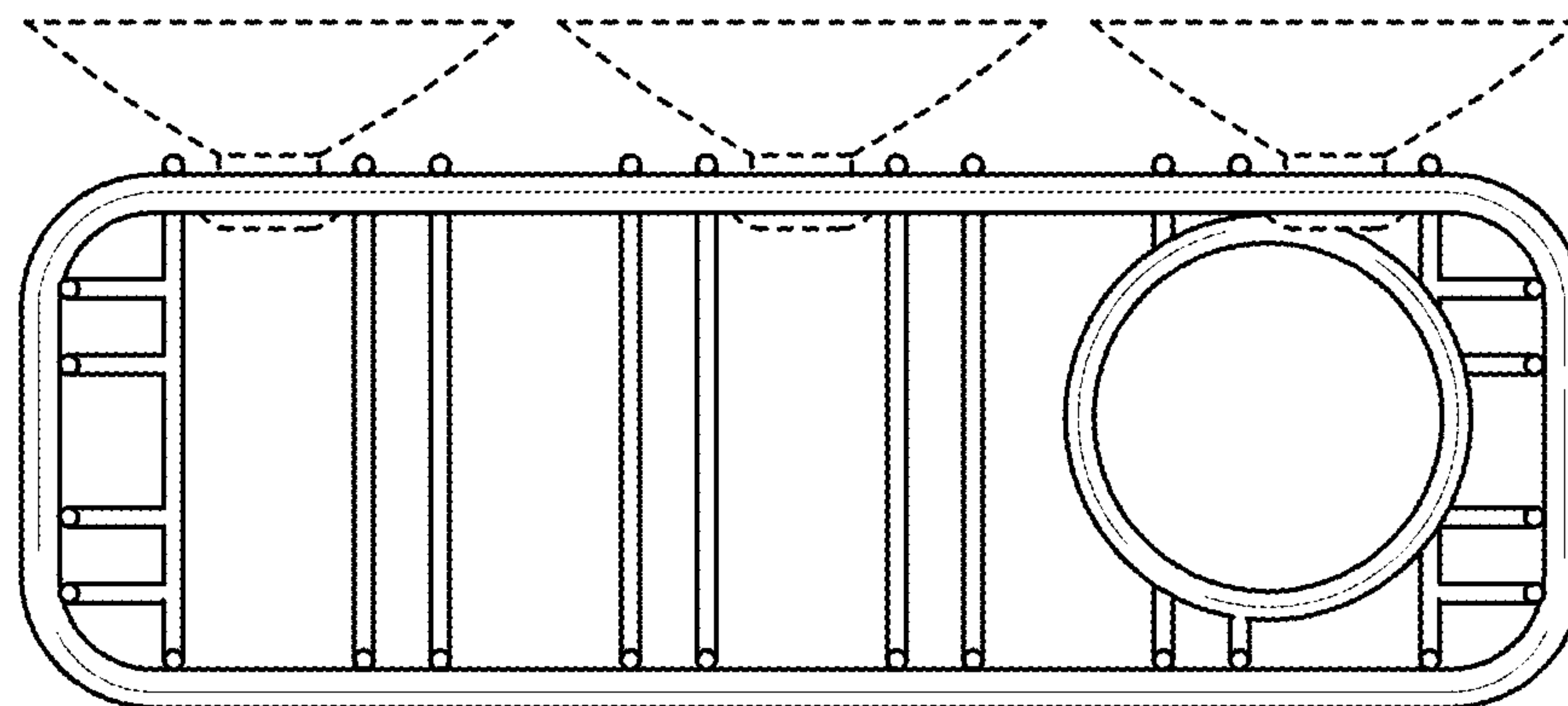


FIG. 6

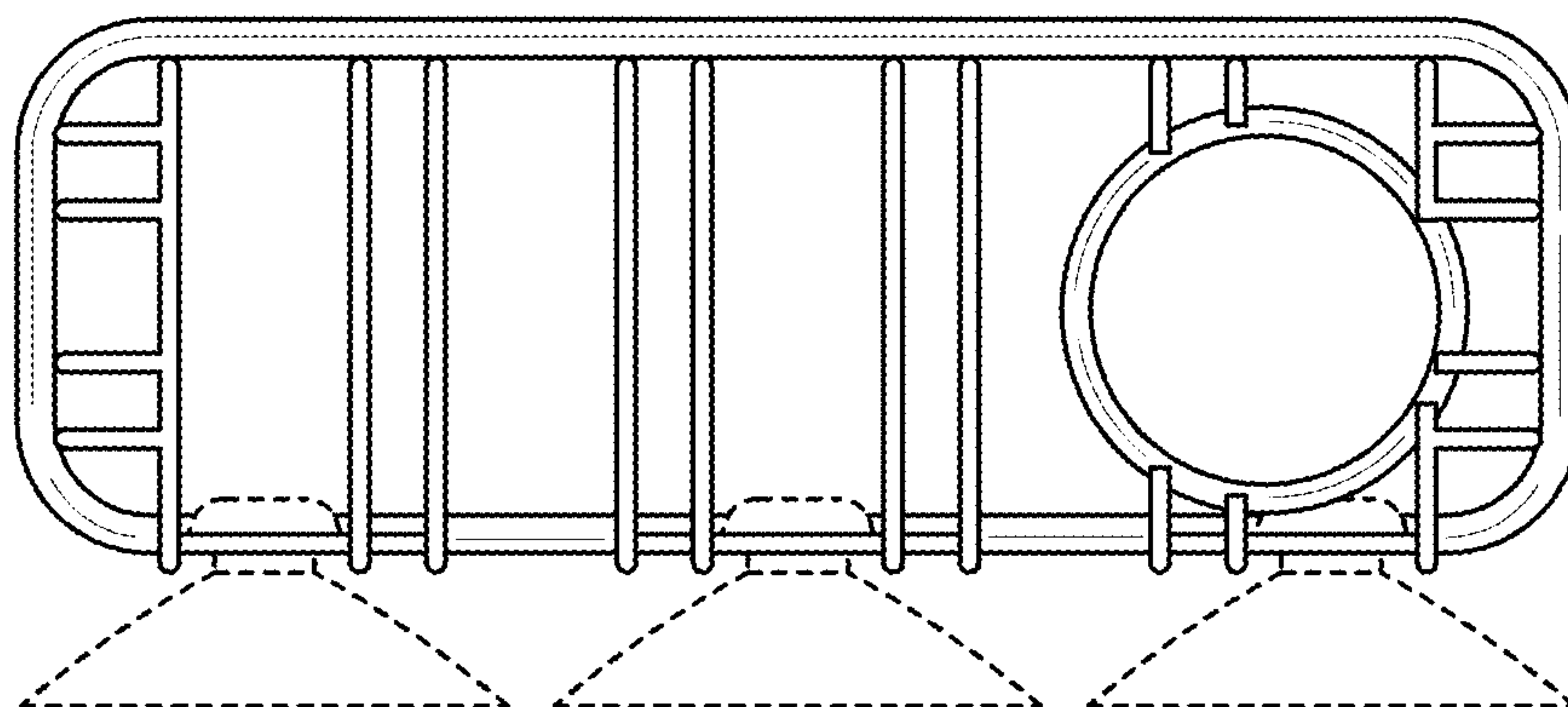


FIG. 7