

US00D808603S

(12) **United States Design Patent**  
**Yuan et al.**

(10) **Patent No.:** **US D808,603 S**  
(45) **Date of Patent:** **\*\* Jan. 23, 2018**

- (54) **SINK CRADLE**
- (71) Applicant: **Spectrum Diversified Designs, LLC**,  
Streetsboro, OH (US)
- (72) Inventors: **Xuemei Yuan**, Buffalo, NY (US);  
**Aaron D. Goodman**, Beachwood, OH (US)
- (73) Assignee: **Spectrum Diversified Designs, LLC**,  
Streetsboro, OH (US)
- (\*\*) Term: **15 Years**
- (21) Appl. No.: **29/596,718**
- (22) Filed: **Mar. 10, 2017**
- (51) **LOC (11) Cl.** ..... **07-05**
- (52) **U.S. Cl.**  
USPC ..... **D32/55**
- (58) **Field of Classification Search**  
USPC ..... D32/55, 276, 3; D6/510, 525; D30/133;  
211/41.5, 41.4, 41.3, 41.8; 361/679.4;  
312/311, 333, 334.4; D7/354, 629  
CPC .. A47L 15/505; A47L 15/503; A47L 15/0013;  
A47L 19/02; A47L 19/04; A47J 47/20  
See application file for complete search history.

D637,850 S *	5/2011	Ghiorghie	.....	D3/306
D653,053 S *	1/2012	Goodman	.....	D6/678.4
D675,049 S *	1/2013	Goodman	.....	D6/513
D691,774 S *	10/2013	Goodman	.....	D32/55
D692,633 S *	10/2013	Goodman	.....	D32/55
D718,510 S *	11/2014	Goodman	.....	D32/55
D723,760 S *	3/2015	Goodman	.....	D32/55
D723,761 S *	3/2015	Goodman	.....	D32/55
D731,728 S *	6/2015	Evans	.....	D32/55
D757,460 S	5/2016	Goodman et al.		
D759,990 S *	6/2016	Goodman	.....	D6/566
D762,035 S *	7/2016	Cooper	.....	D32/55
D762,397 S *	8/2016	Goodman	.....	D6/537
D773,846 S *	12/2016	Chang	.....	D6/537
D795,519 S *	8/2017	Goodman	.....	D32/55

\* cited by examiner

*Primary Examiner* — Austin Murphy

(74) *Attorney, Agent, or Firm* — Renner, Otto, Boisselle and Sklar, LLP

(57) **CLAIM**

The ornamental design for a sink cradle, as shown and described.

**DESCRIPTION**

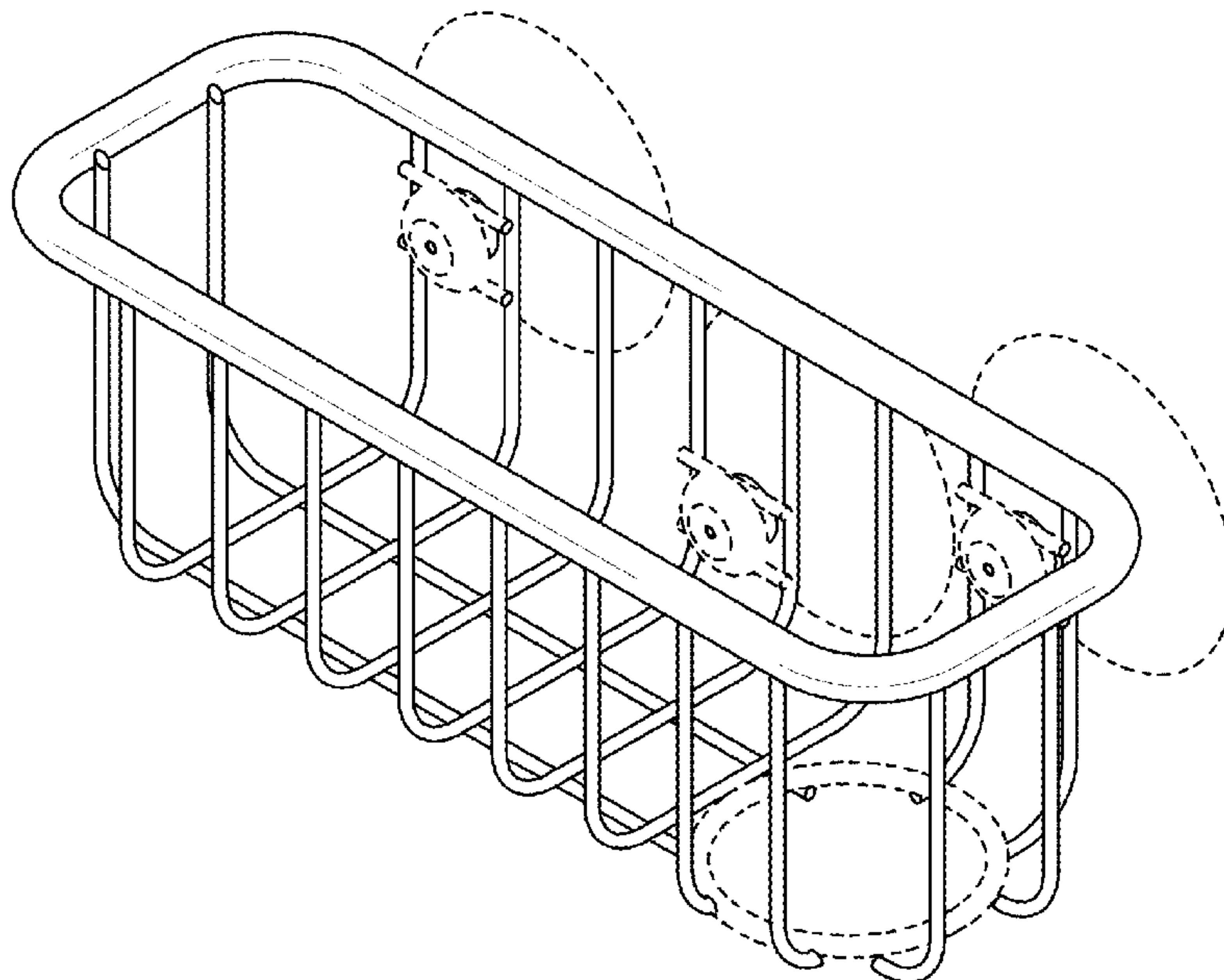
FIG. 1 is a top, front, right perspective view of a sink cradle showing our new design;  
 FIG. 2 is a front elevation view thereof;  
 FIG. 3 is a rear elevation view thereof;  
 FIG. 4 is a right side elevation view thereof;  
 FIG. 5 is a left side elevation view thereof;  
 FIG. 6 is a top plan view thereof; and,  
 FIG. 7 is a bottom plan view thereof.  
 The broken line showing represents unclaimed portions of the sink cradle and forms no part of the claimed design.

**1 Claim, 4 Drawing Sheets**

(56) **References Cited**

U.S. PATENT DOCUMENTS

D449,480 S *	10/2001	Snell	.....	D6/525
D453,651 S *	2/2002	Snell	.....	D6/537
D563,708 S *	3/2008	Snell	.....	D6/566
D578,816 S *	10/2008	Goodman	.....	D6/566
D612,648 S *	3/2010	Guindi	.....	D6/525
D633,343 S *	3/2011	Goodman	.....	D7/631



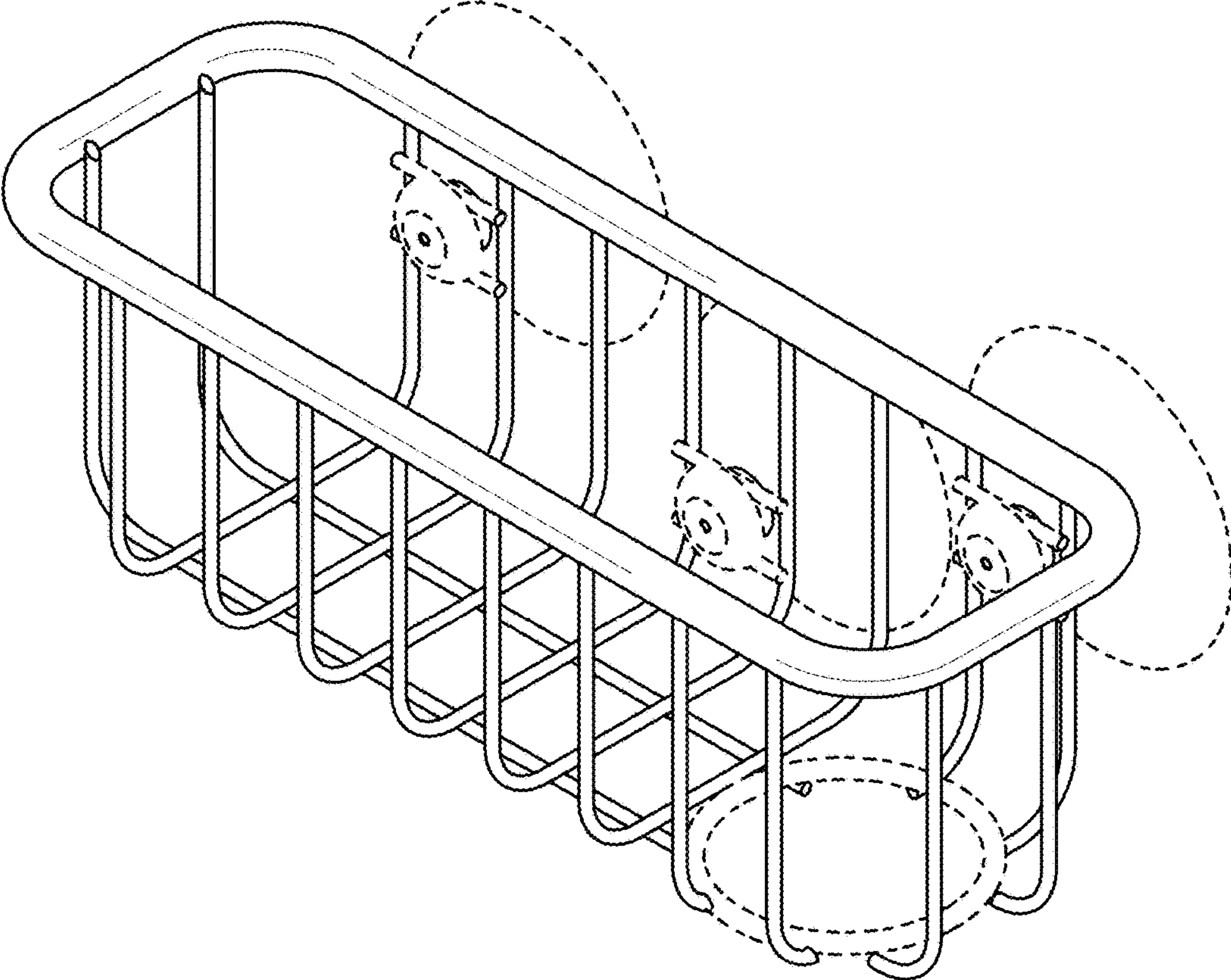


FIG. 1

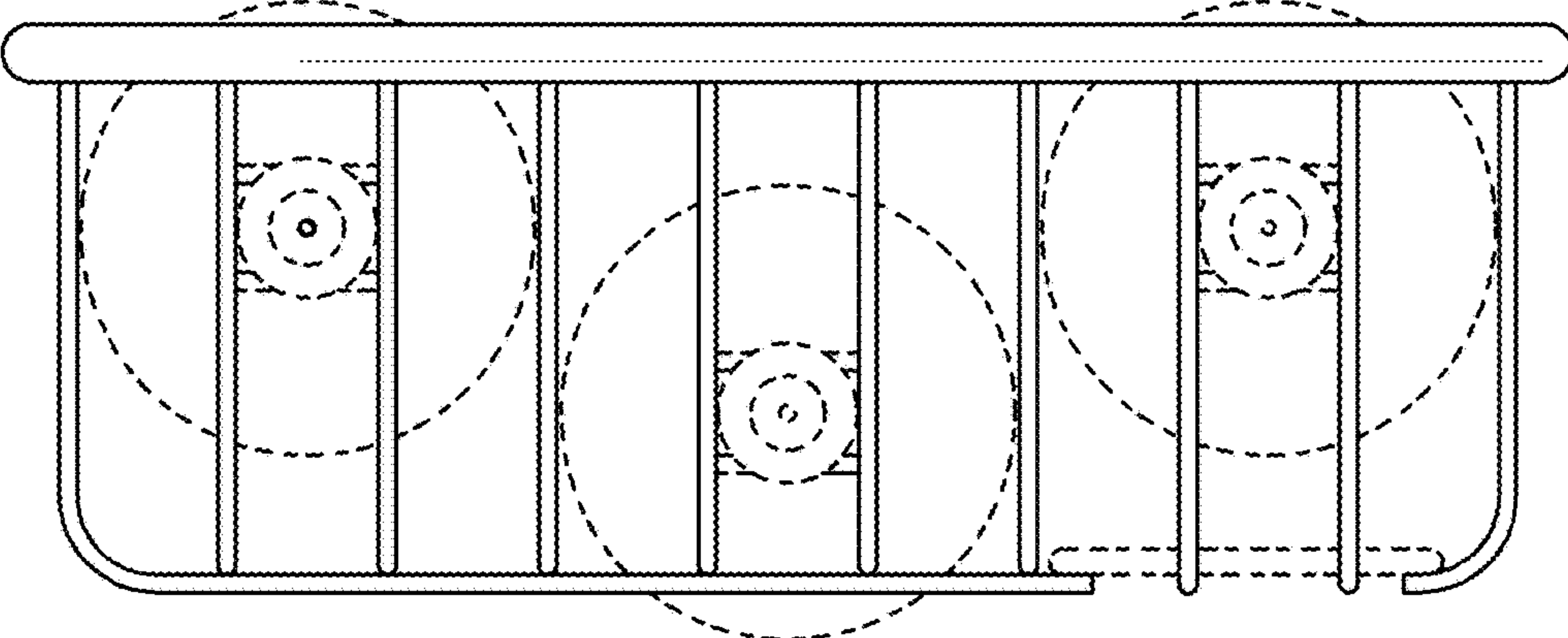


FIG. 2

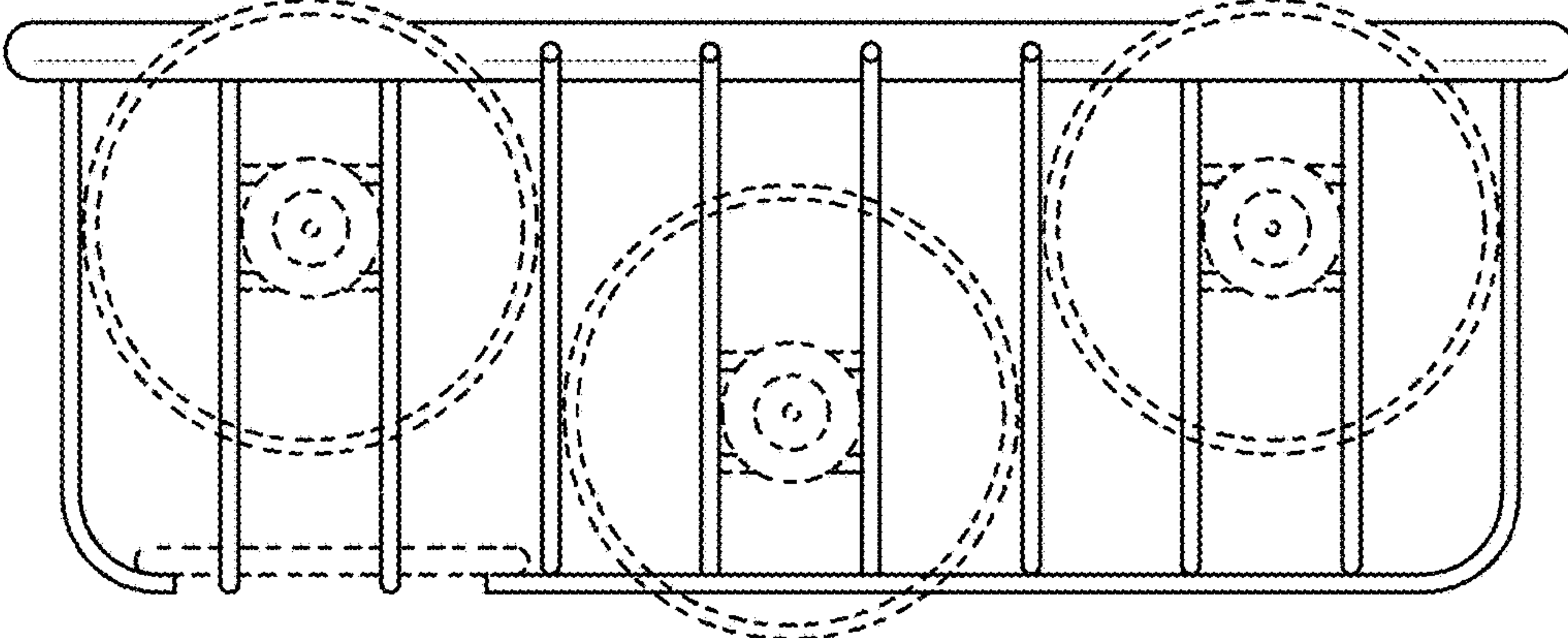


FIG. 3

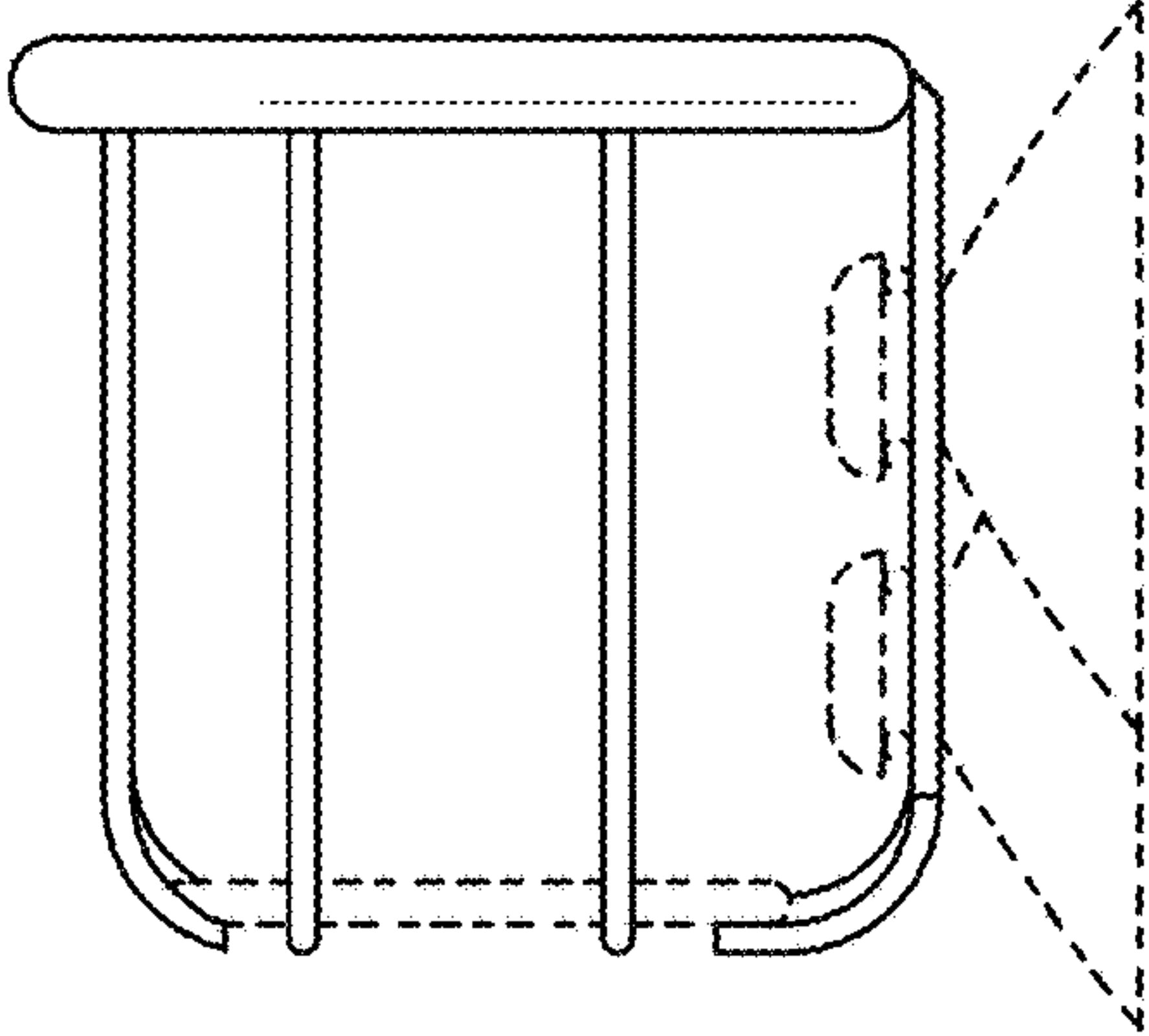


FIG. 4

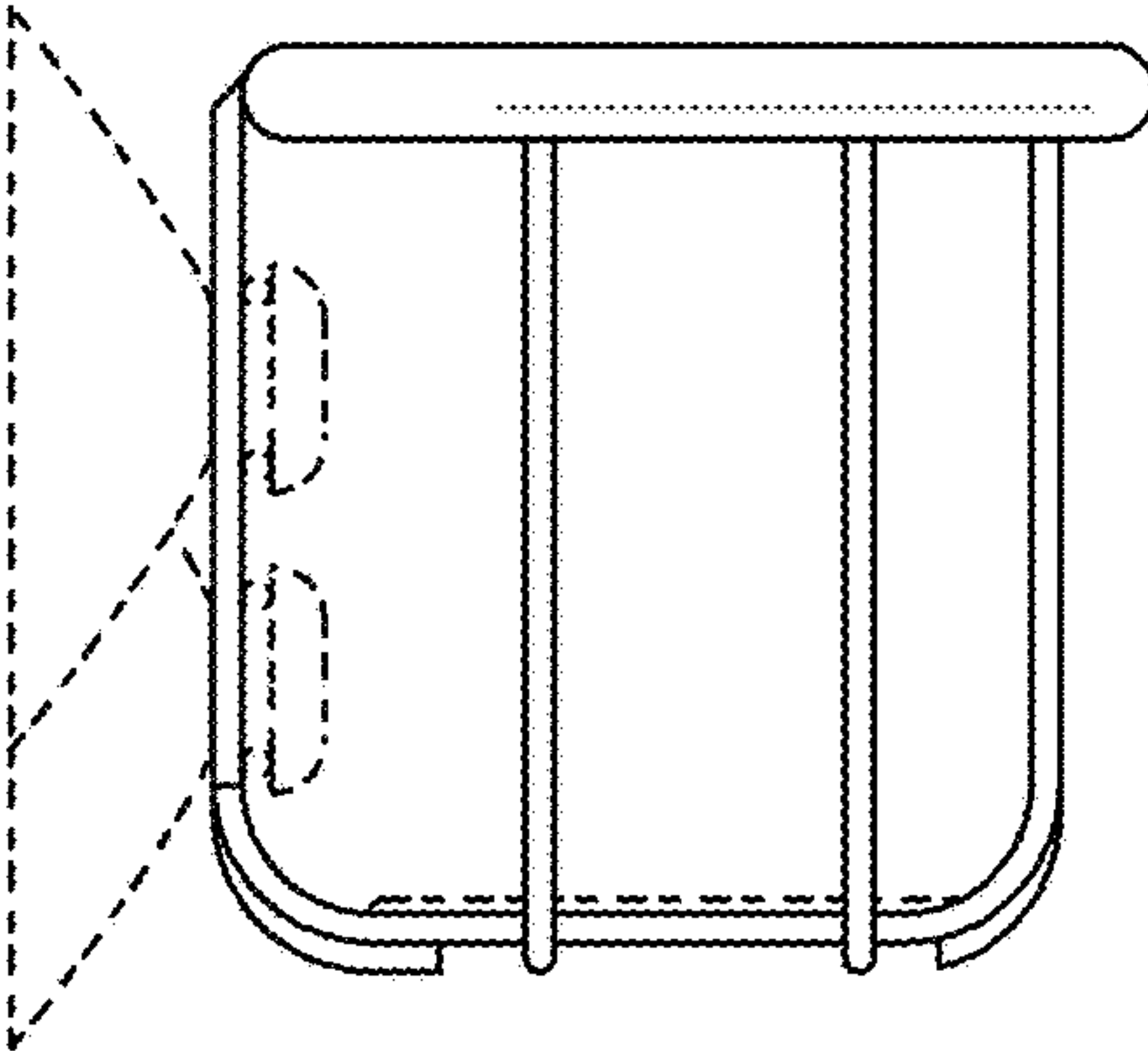


FIG. 5



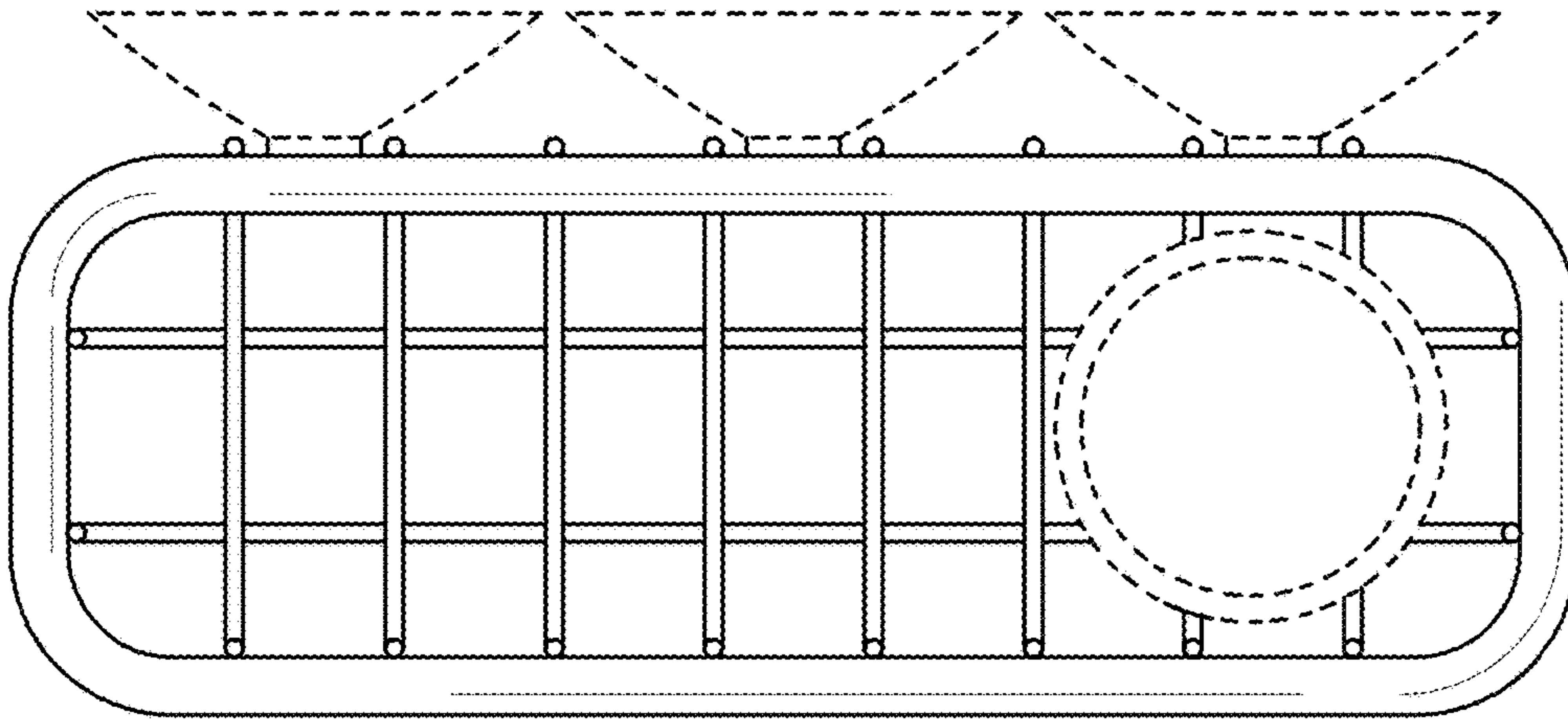


FIG. 6

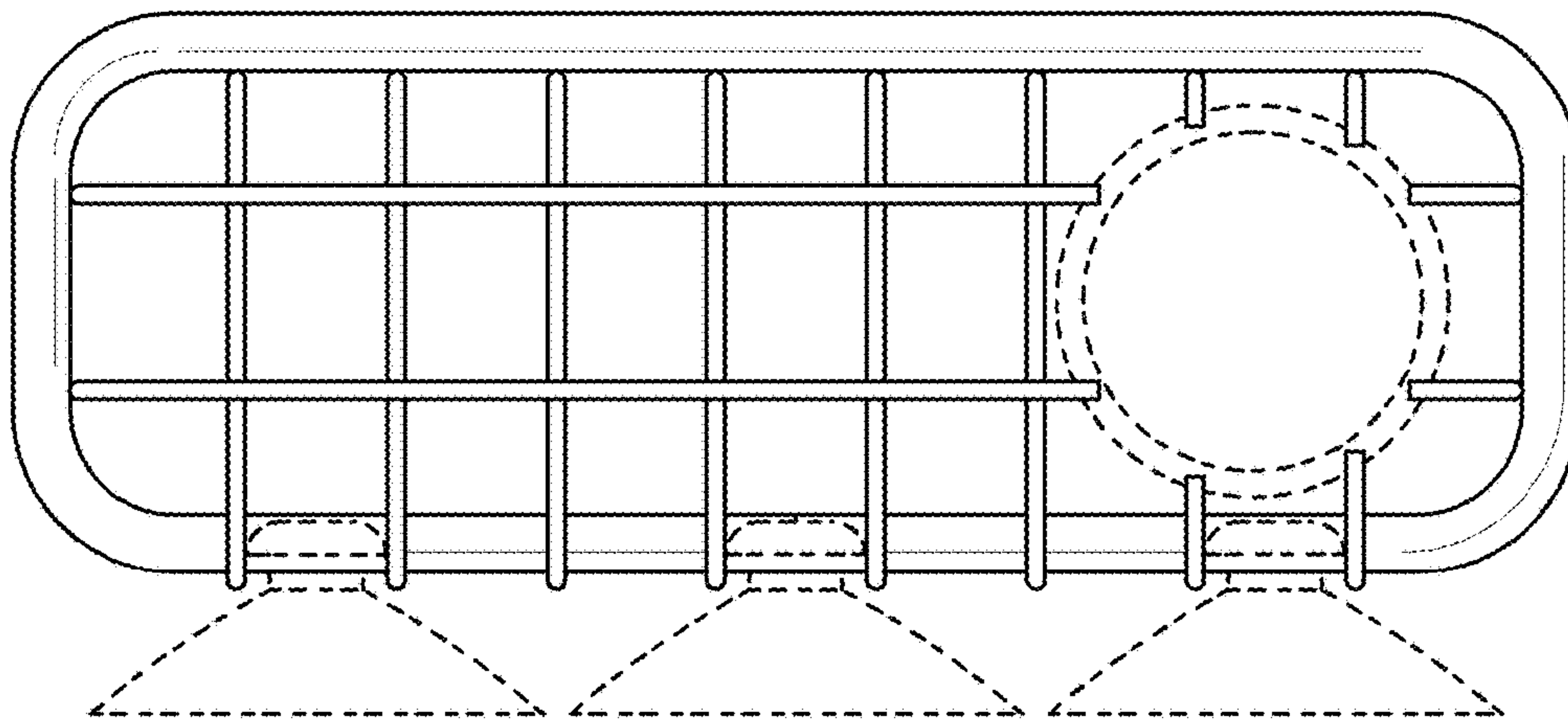


FIG. 7