



US00D808602S

(12) **United States Design Patent** (10) **Patent No.:** **US D808,602 S**
Stuart et al. (45) **Date of Patent:** **** Jan. 23, 2018**

(54) **HAND WASHING DEVICE**
(71) Applicant: **BoBear LLC**, Boston, MA (US)
(72) Inventors: **Kelly Stuart**, Boston, MA (US);
Jonathan Stuart, Boston, MA (US);
Marcel Botha, New York, NY (US)
(73) Assignee: **BoBear LLC**, Boston, MA (US)
(**) Term: **14 Years**
(21) Appl. No.: **29/516,804**
(22) Filed: **Feb. 5, 2015**
(51) **LOC (11) Cl.** **15-05**
(52) **U.S. Cl.**
USPC **D32/35**
(58) **Field of Classification Search**
USPC D32/1; D23/286, 272-274, 284,
D23/291-292, 303, 308; D6/655, 633,
D6/671, 671.3, 640; D4/116, 128, 130,
D4/133
CPC A46B 15/004; A46B 2200/1006; A46B
15/0046; A46B 15/0044; B25G 1/102
See application file for complete search history.

D589,600 S * 3/2009 Tsay D23/286
7,819,136 B1 10/2010 Eddy
8,758,075 B2 6/2014 Rubinfeld
D737,417 S * 8/2015 Tronza D23/286
9,307,874 B2 4/2016 Smith
2002/0127044 A1* 9/2002 Sorrell A47K 7/03
401/201

(Continued)

FOREIGN PATENT DOCUMENTS

WO WO 2014/074585 5/2014

OTHER PUBLICATIONS

<http://www.scalpscruddie.com/about-us.html>, viewed Feb. 5, 2015,
2 pages.

(Continued)

Primary Examiner — Michael A. Pratt
Assistant Examiner — Michelle E Wilson
(74) *Attorney, Agent, or Firm* — Wolf, Greenfield &
Sacks, P.C.

(57) **CLAIM**

The ornamental design for a hand washing device, as shown
and described.

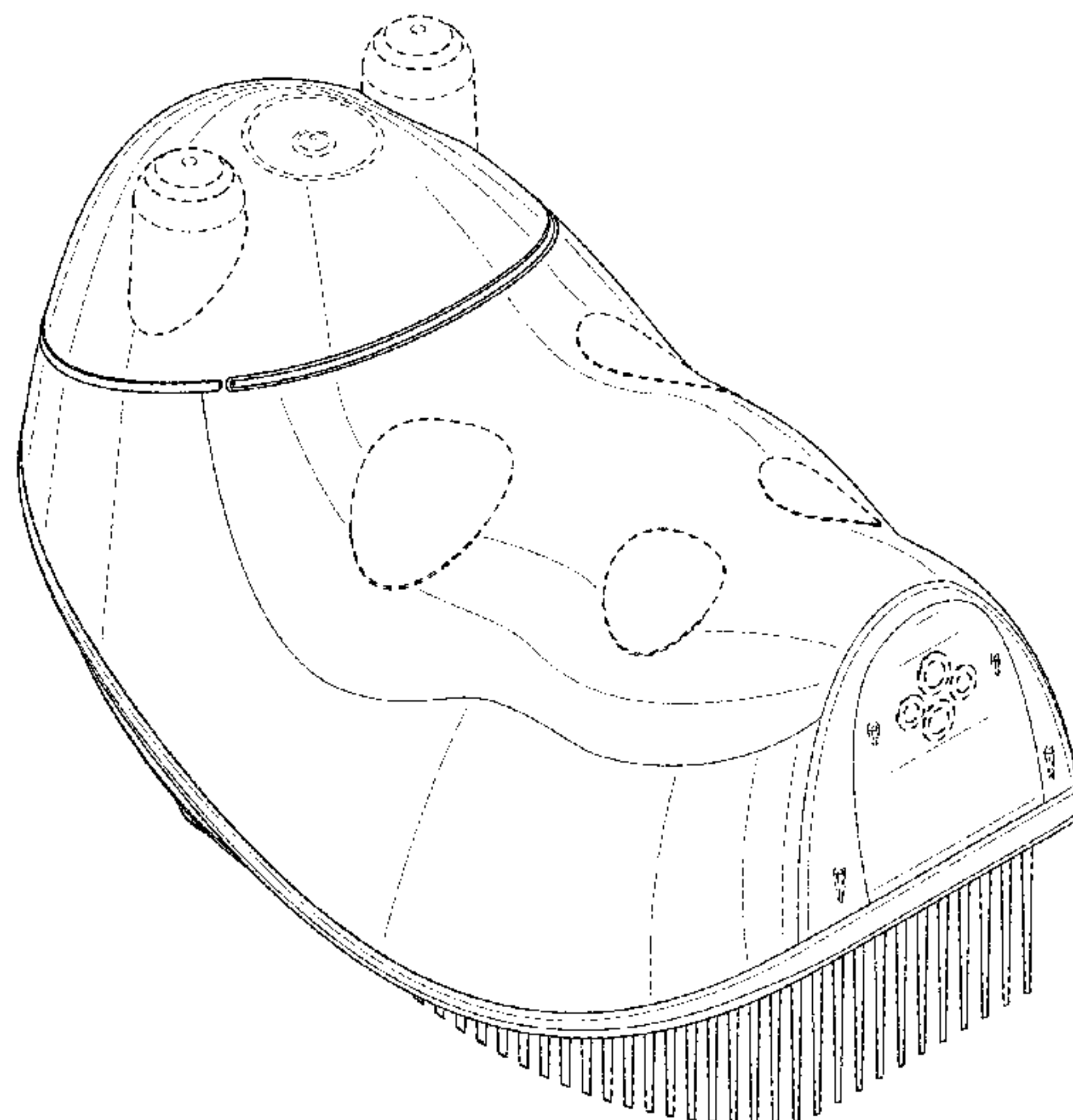
DESCRIPTION

FIG. 1 is a top, rear, right side perspective view of a hand
washing device showing our new design;
FIG. 2 is a rear elevational view thereof;
FIG. 3 is a front elevational view thereof;
FIG. 4 is a right side elevational view thereof;
FIG. 5 is a left side elevational view thereof;
FIG. 6 is a top plan view thereof; and,
FIG. 7 is a bottom plan view thereof.
The broken lines shown in FIGS. 1-6 represent unclaimed
portions of the hand-washing device and form no part of the
claimed design.

1 Claim, 7 Drawing Sheets

(56) **References Cited**
U.S. PATENT DOCUMENTS

1,442,761 A * 1/1923 Beach A63H 3/003
15/227
D119,297 S * 3/1940 Bales D23/291
D119,300 S * 3/1940 Bales D23/291
2,445,994 A 7/1948 Benson et al.
2,926,487 A 3/1960 Stone
D241,747 S * 10/1976 King D25/16
4,554,097 A 11/1985 Schebece et al.
D344,830 S * 3/1994 Carter D23/271
6,154,912 A 12/2000 Li
D443,987 S * 6/2001 Kroehl D4/133
D510,195 S * 10/2005 Adams D6/608
D544,071 S * 6/2007 Teuscher D23/234
D548,980 S * 8/2007 Maddux D6/519



(56)

References Cited

U.S. PATENT DOCUMENTS

2007/0065224 A1* 3/2007 Shaw A47K 7/03
401/201
2009/0178217 A1 7/2009 Reiter et al.
2012/0110765 A1 5/2012 Lin
2012/0267392 A1 10/2012 Wright
2015/0313354 A1 11/2015 Mongan et al.
2016/0227917 A1* 8/2016 Stuart A46B 15/004

OTHER PUBLICATIONS

<http://www.amazon.com/Graham-Field-Hand-Scrub-Brush/dp/B001B8AEU6>, viewed Feb. 2, 2015, 4 pages.
U.S. Appl. No. 15/015,229, filed Feb. 4, 2016, Kelly Stuart et al.
[No Author Listed] Firefly. Products. Light-up Toothbrushes. Available at: https://web.archive.org/web/20141104231956/http://fireflytoothbrush.com/products_type/light-up-toothbrushes/. Nov. 2014. Last Accessed on Jul. 11, 2017. 1 page.

* cited by examiner

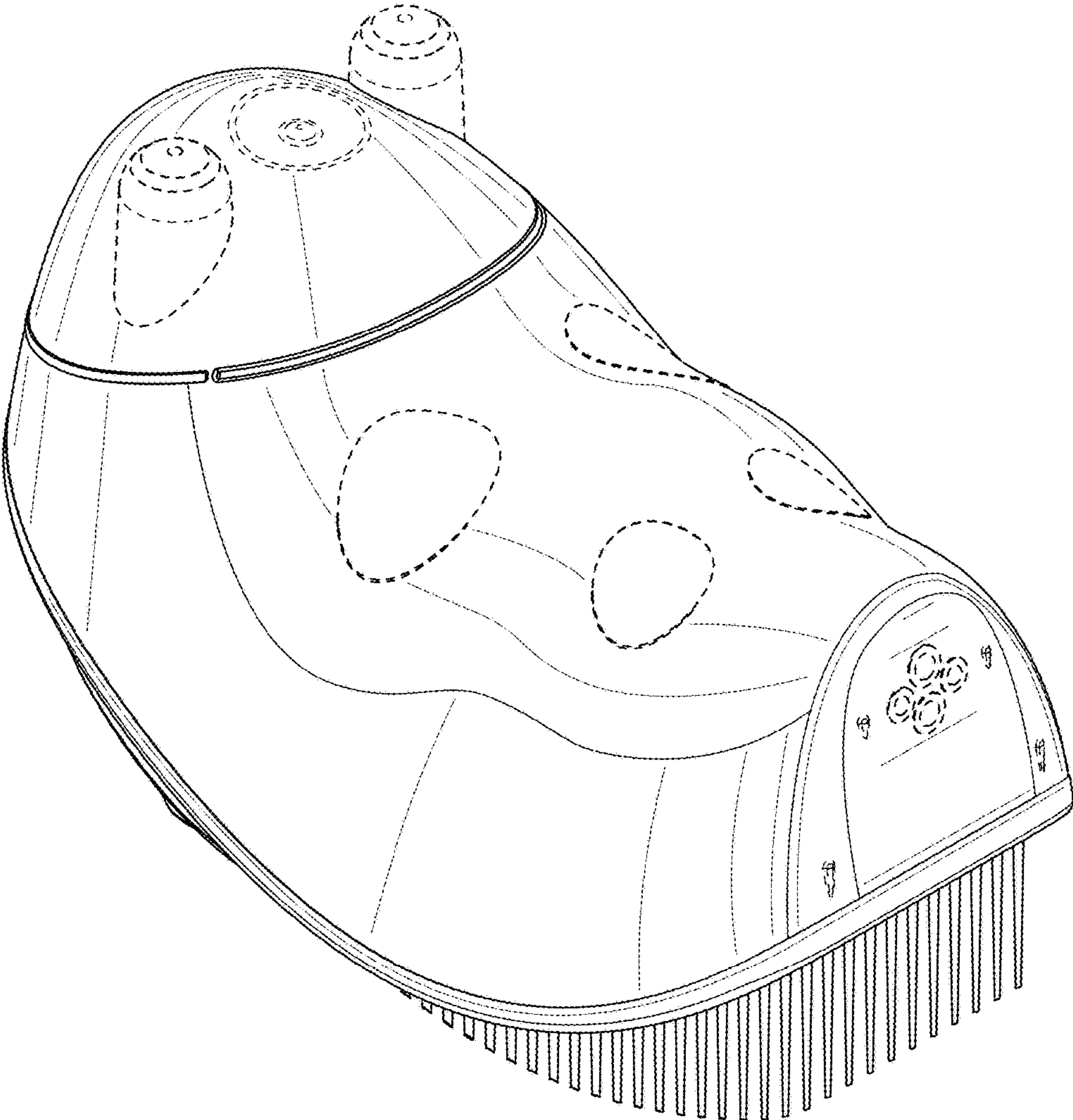


FIG. 1

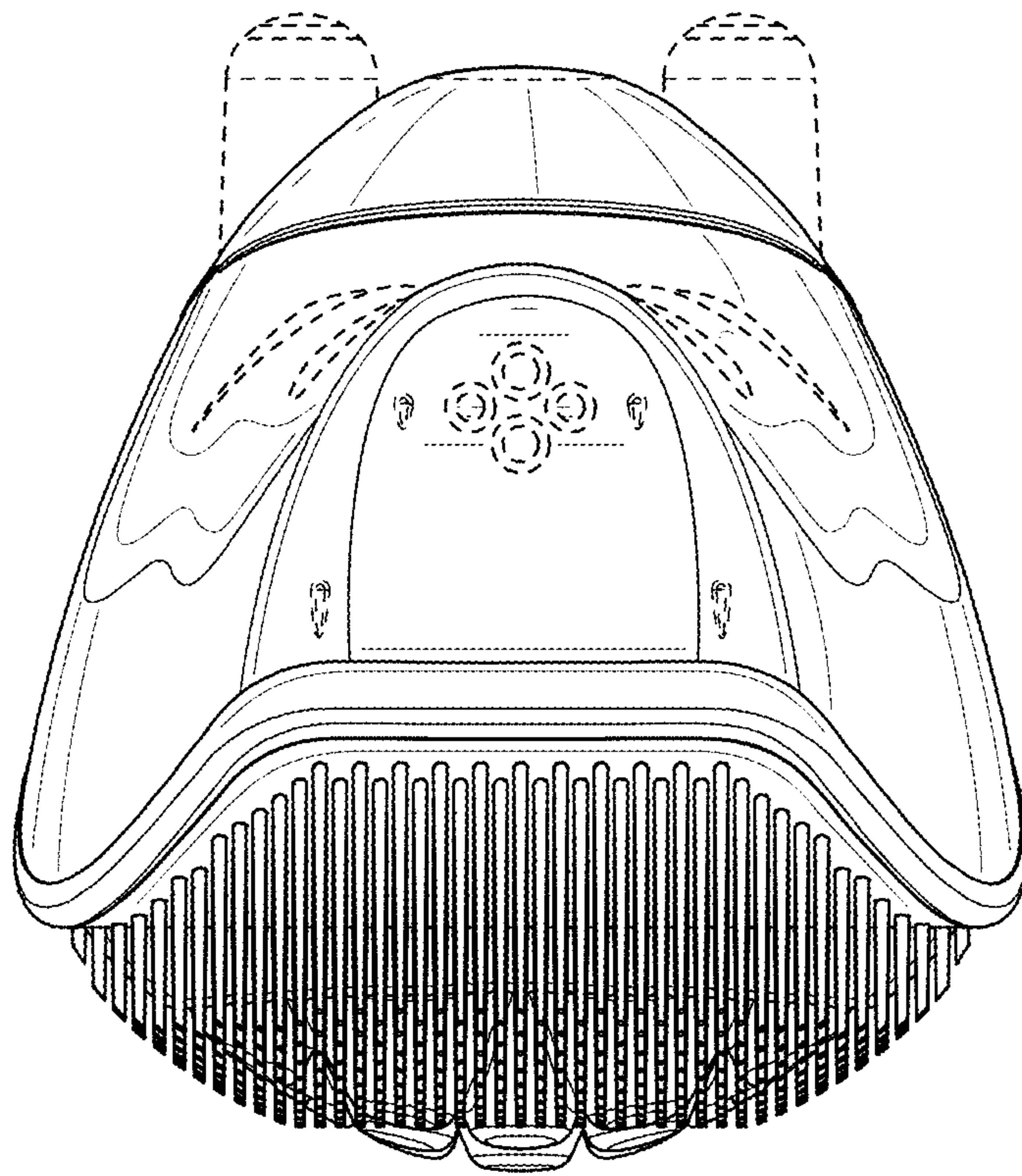


FIG. 2

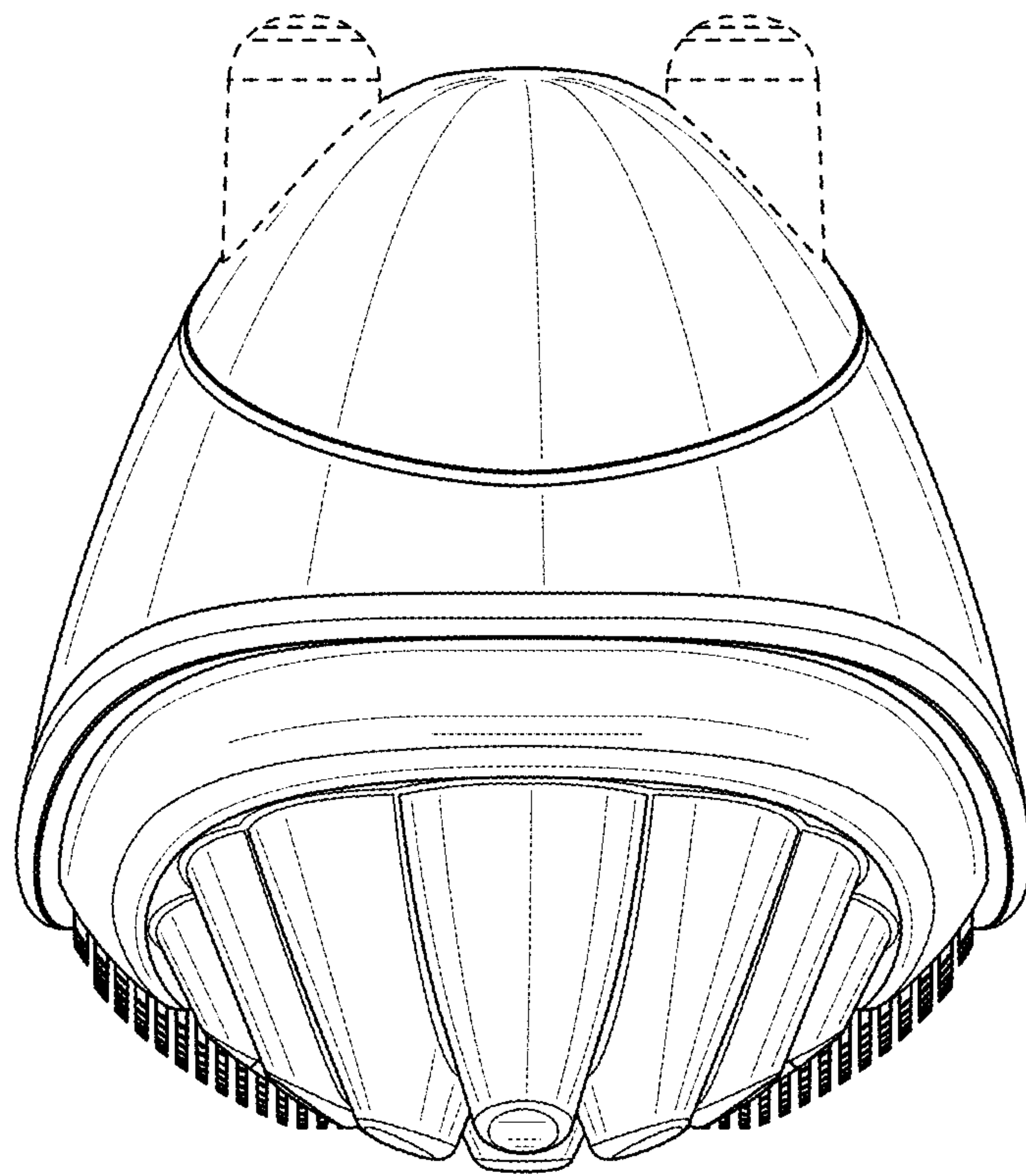


FIG. 3

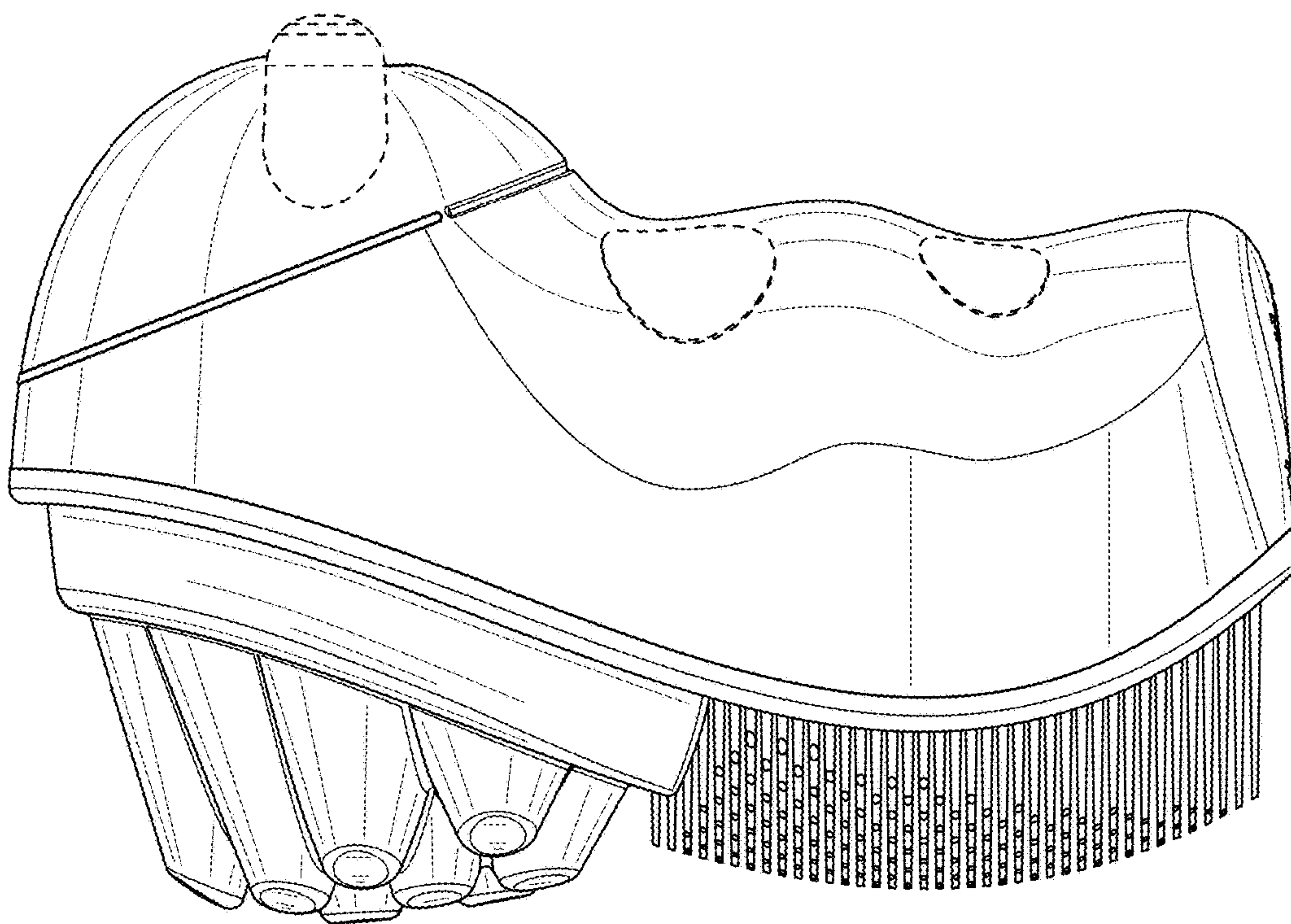


FIG. 4

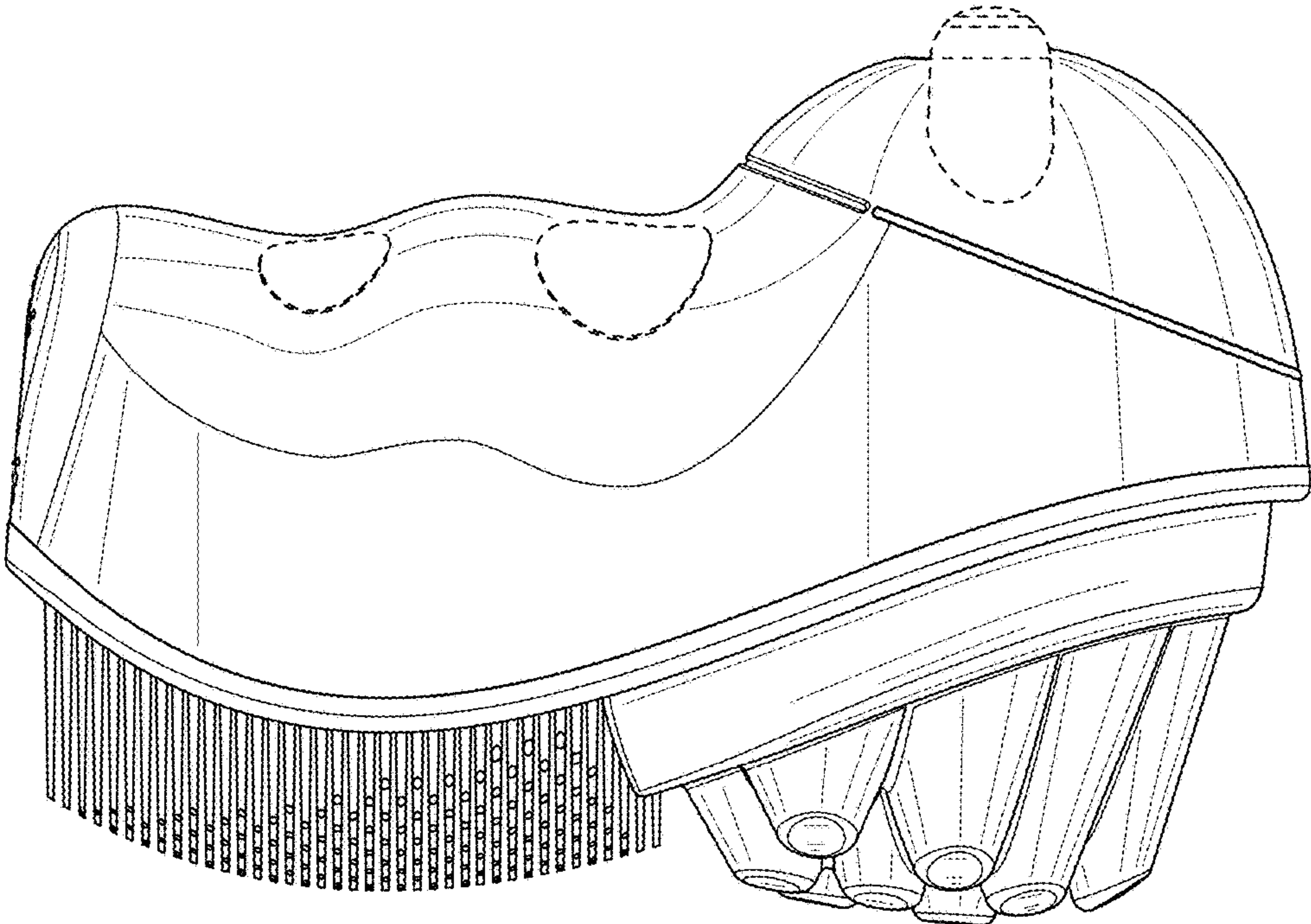


FIG. 5

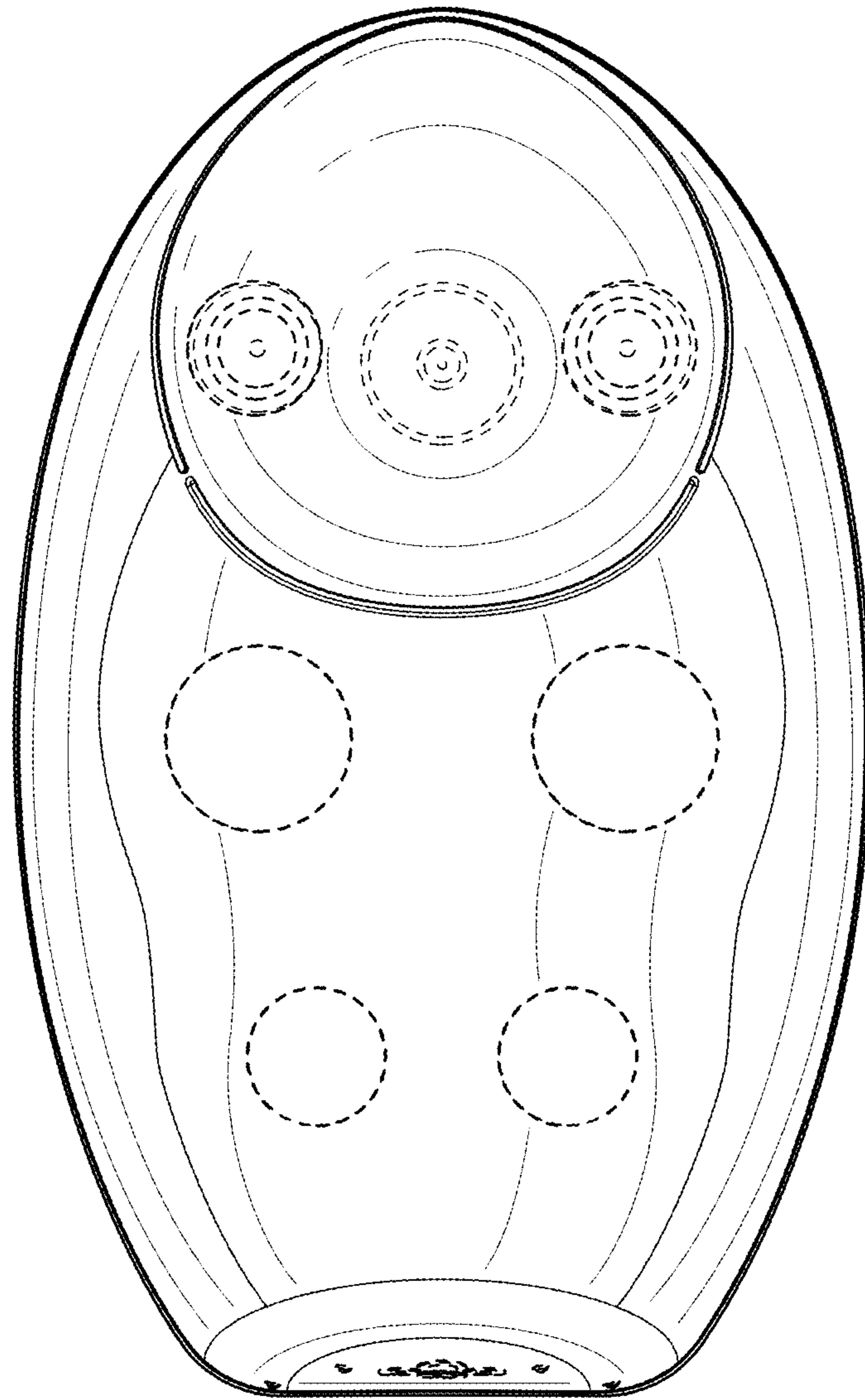


FIG. 6

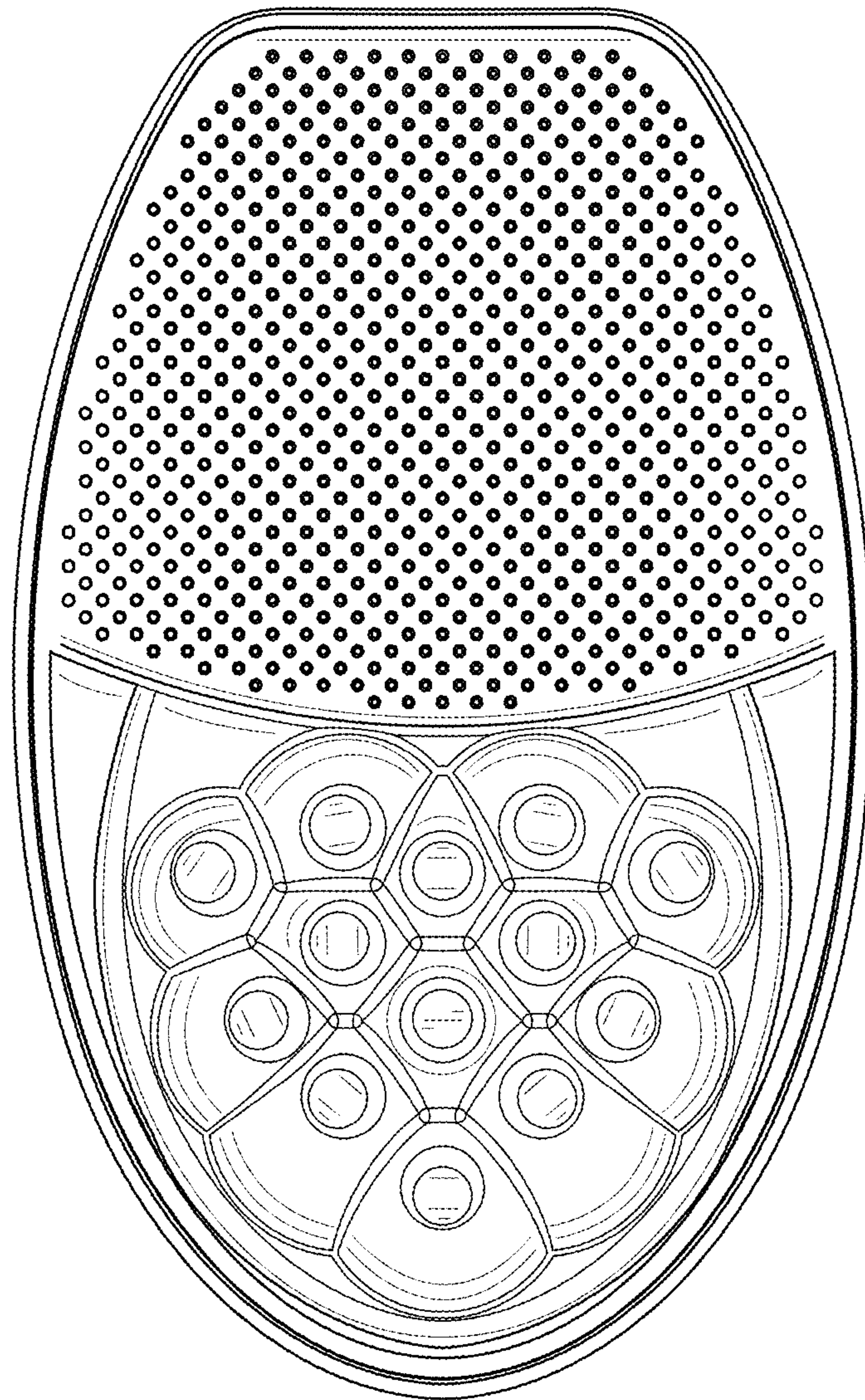


FIG. 7