



US00D808601S

(12) **United States Design Patent**
Luo et al.

(10) **Patent No.: US D808,601 S**
(45) **Date of Patent: ** *Jan. 23, 2018**

(54) **VACUUM CLEANER**

7/0019; A47L 7/0004; A47L 11/34; A47L
11/29; A47L 11/30; E04H 4/1654

See application file for complete search history.

(71) Applicant: **Samsung Electronics Co., Ltd.**,
Suwon-si, Gyeonggi-do (KR)

(56) **References Cited**

(72) Inventors: **Haibo Luo**, Shanghai (CN); **Masato Suzuki**, Saitama (JP); **Keiichi Minamide**, Tokyo (JP); **Hirohisa Miyazaki**, Tokyo (JP); **Chen Cui**, Shanghai (CN); **Lijun Qi**, Shanghai (CN); **Mitsuhiro Shigeri**, Yokohama (JP); **Jing Xie**, Shanghai (CN); **Chen Jun**, Shanghai (CN)

U.S. PATENT DOCUMENTS

D527,502 S *	8/2006	Yoshimoto	D32/18
D543,667 S *	5/2007	Yoshimoto	D32/18
D550,410 S *	9/2007	Khalil	D32/18
D575,013 S *	8/2008	Gee, II	D32/18
D594,607 S *	6/2009	Farone	D32/18

(Continued)

Primary Examiner — Ruth McInroy

(74) *Attorney, Agent, or Firm* — Cantor Colburn LLP

(73) Assignee: **SAMSUNG ELECTRONICS CO., LTD.**, Gyeonggi-Do (KR)

(57) **CLAIM**

We claim the ornamental design for a vacuum cleaner, as shown and described.

(*) Notice: This patent is subject to a terminal disclaimer.

DESCRIPTION

(**) Term: **15 Years**

FIG. 1 is a front perspective view of a first embodiment of a vacuum cleaner showing our new design;
FIG. 2 is a front view thereof;
FIG. 3 is a rear view thereof;
FIG. 4 is a left-side view thereof;
FIG. 5 is a right-side view thereof;
FIG. 6 is a top view thereof;
FIG. 7 is a bottom view thereof;
FIG. 8 is a rear perspective view of thereof;
FIG. 9 is a front perspective view thereof showing the dust inhalator in an extended position;
FIG. 10 is a front perspective view of a second embodiment thereof;
FIG. 11 is a front view thereof;
FIG. 12 is a rear view thereof;
FIG. 13 is a left-side view thereof;
FIG. 14 is a right-side view thereof;
FIG. 15 is a top view thereof;
FIG. 16 is a bottom view thereof; and,
FIG. 17 is a rear perspective view thereof.

(21) Appl. No.: **29/547,964**

(22) Filed: **Dec. 9, 2015**

(30) **Foreign Application Priority Data**

Jun. 10, 2015 (KR) 30-2015-0029148

(51) **LOC (11) Cl.** **15-05**

(52) **U.S. Cl.**
USPC **D32/21**

(58) **Field of Classification Search**

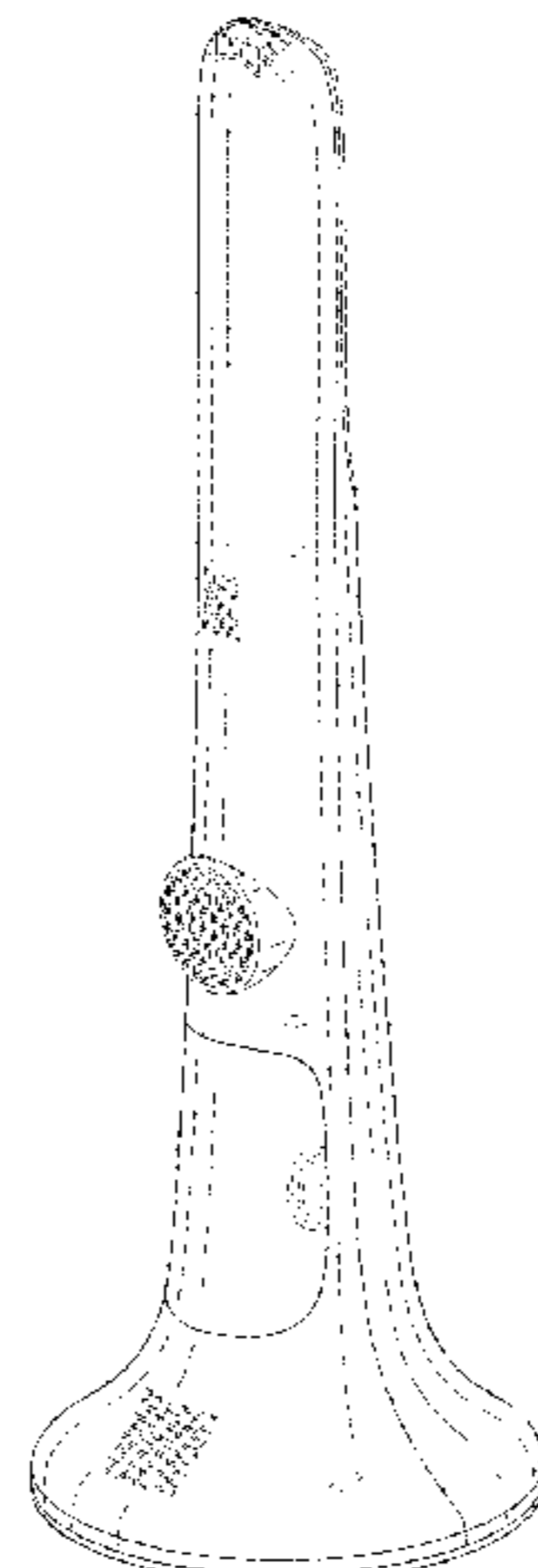
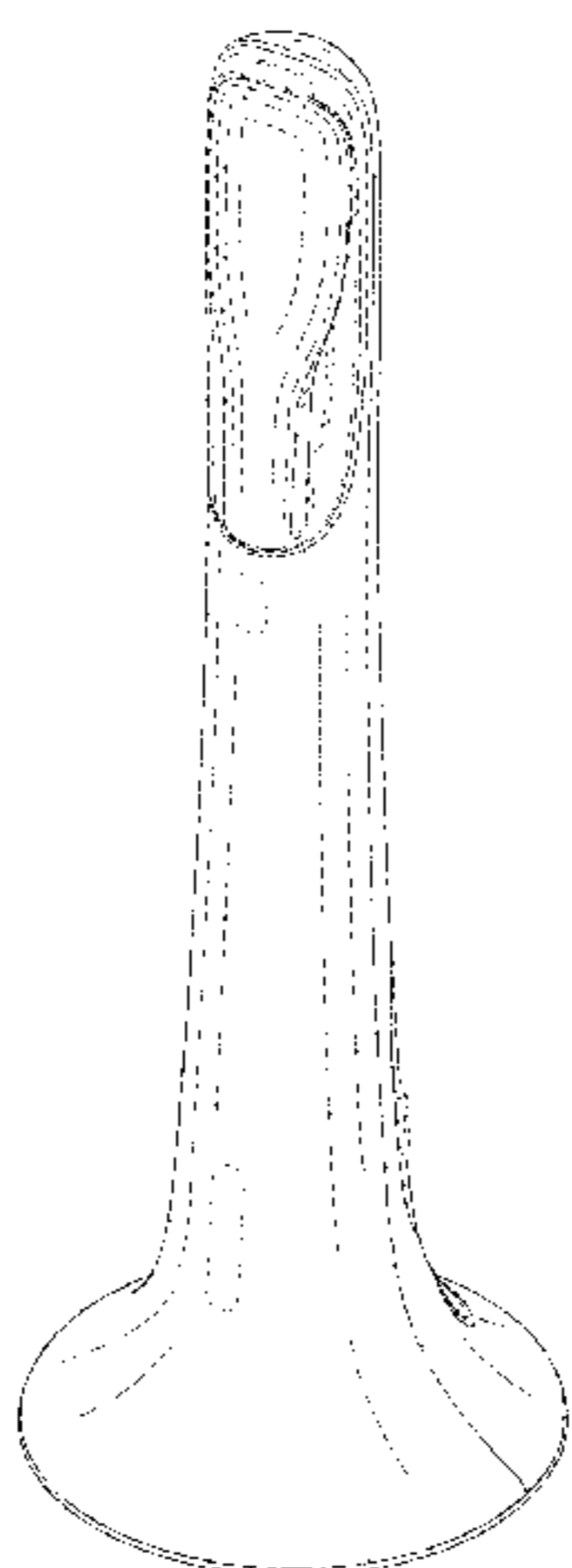
USPC D32/18, 21–23, 31, 34

CPC G06N 3/008; A47L 9/2857; A47L 9/2842;

A47L 9/2852; A47L 9/00; A47L 9/325;

A47L 5/36–5/367; A47L 5/24; A47L

(Continued)



The broken lines in the figures show portions of a vacuum cleaner which are environmental structure and form no part of the claimed design. The dot-dash broken lines define boundaries of the claimed design and form no part thereof.

1 Claim, 15 Drawing Sheets

(56)

References Cited

U.S. PATENT DOCUMENTS

2009/0038108	A1 *	2/2009	Shaanan	A47L 5/14 15/344
2011/0192286	A1 *	8/2011	Lee	A47L 5/24 96/417
2014/0366312	A1 *	12/2014	Christensen	A47L 7/0066 15/344
2015/0307066	A1 *	10/2015	Camiller	B60S 3/008 296/37.13

* cited by examiner

FIG. 1

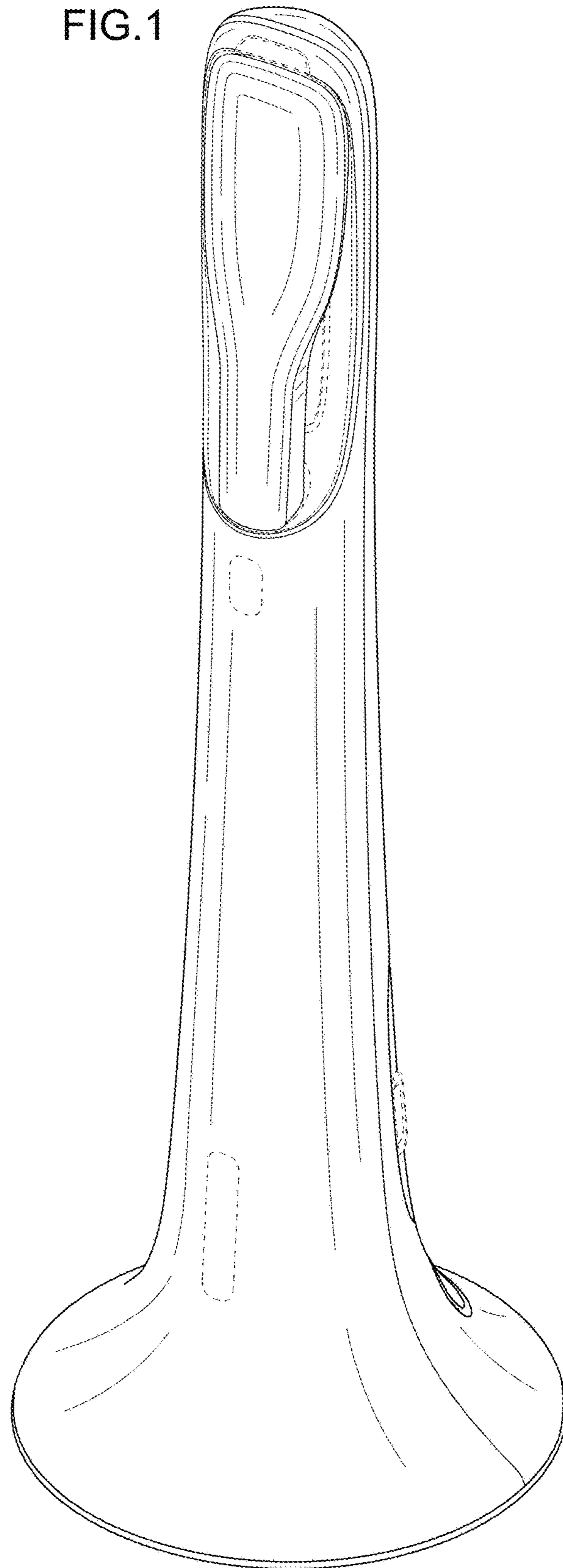


FIG.2

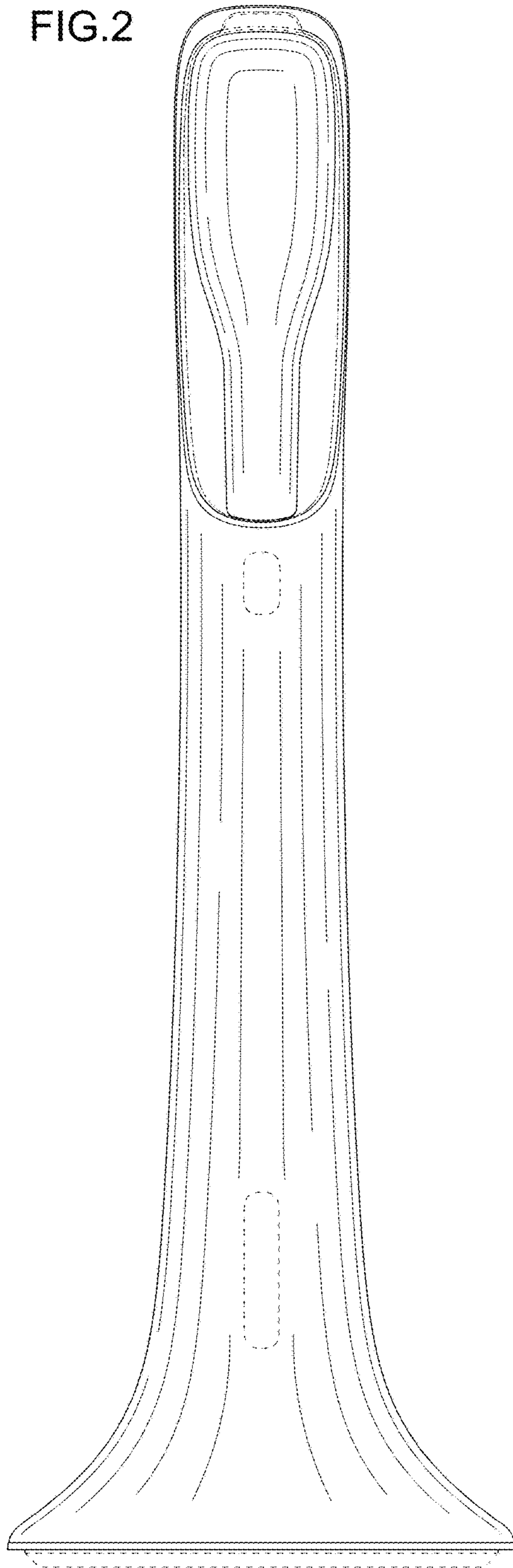


FIG.3

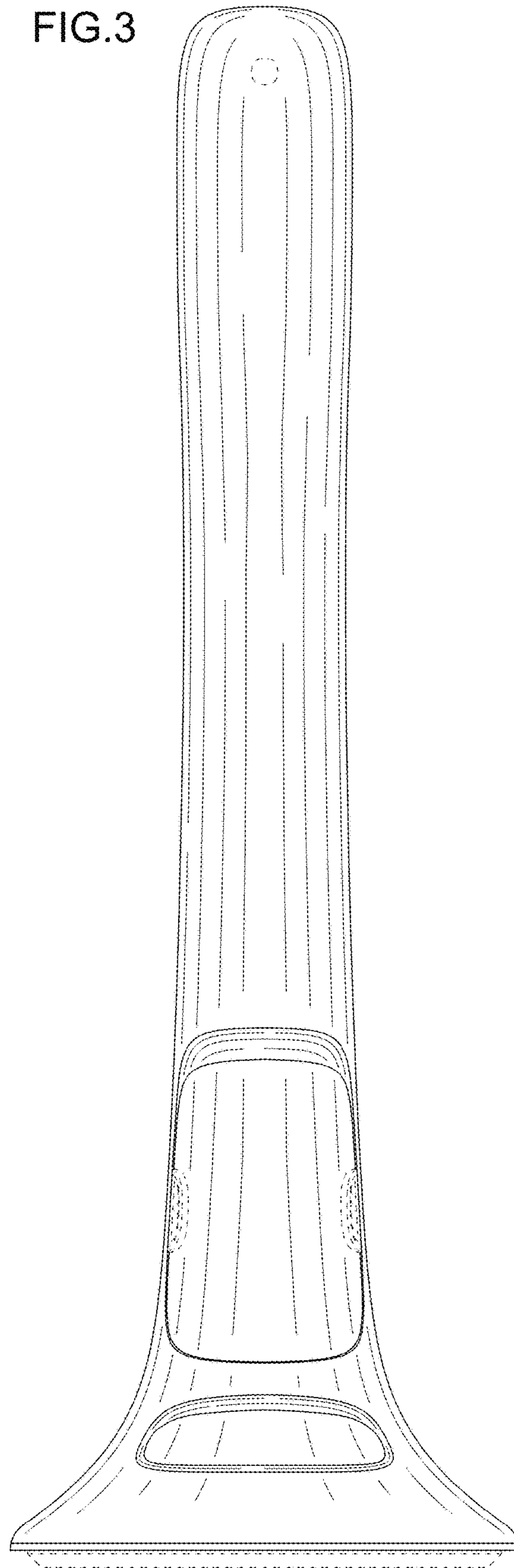


FIG.4

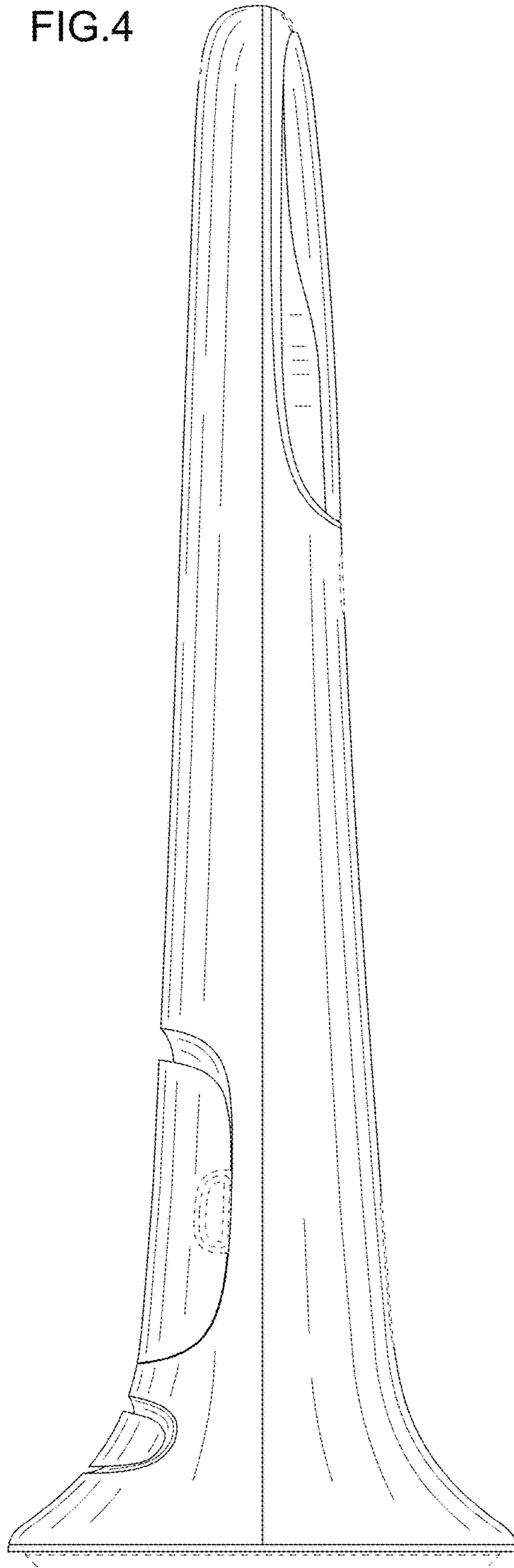


FIG.5

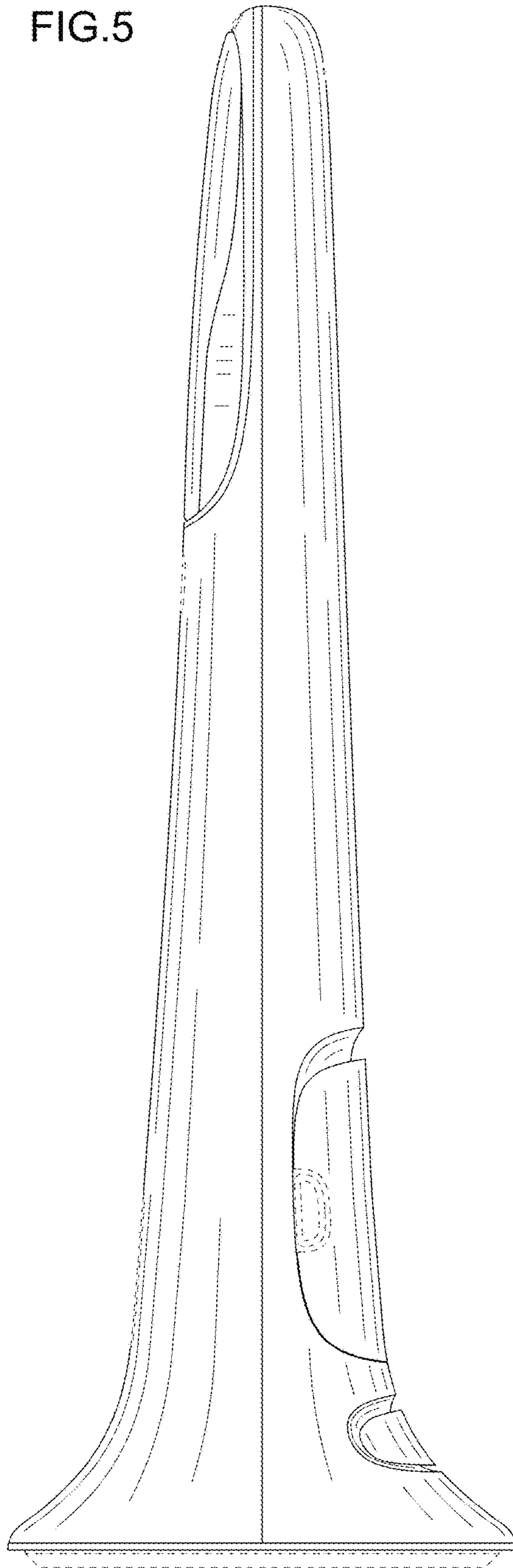


FIG.6

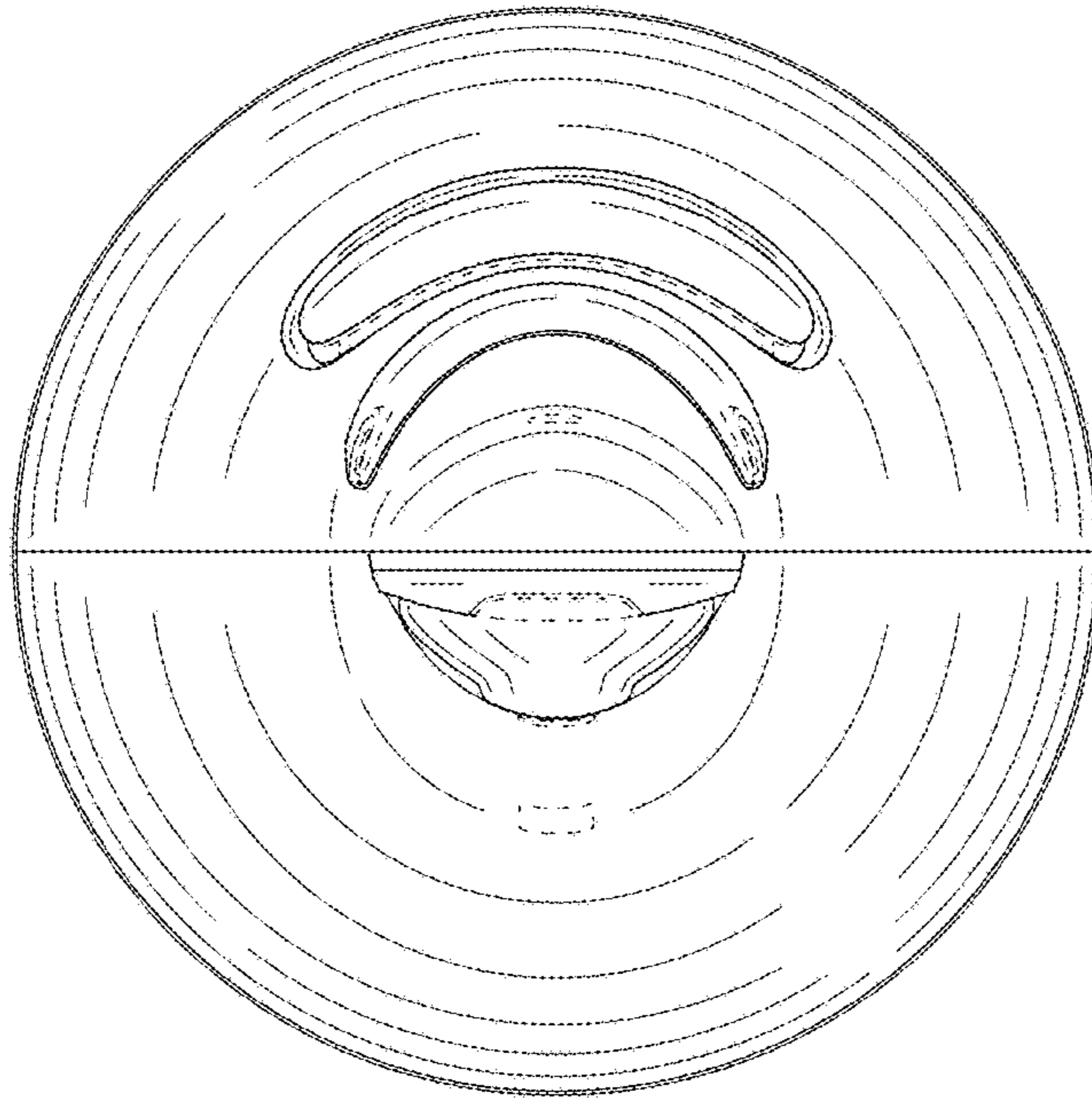


FIG.7

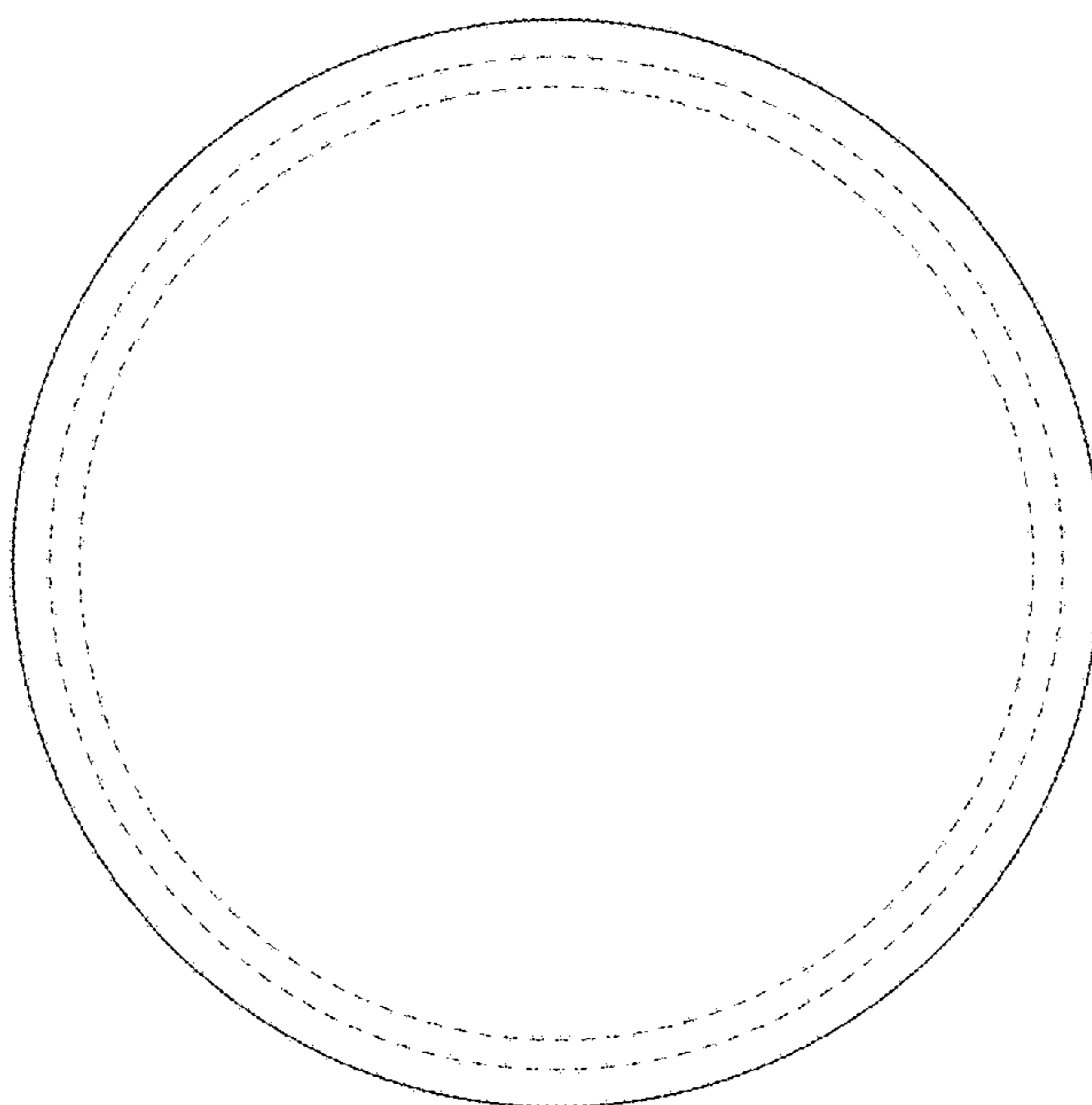


FIG.8

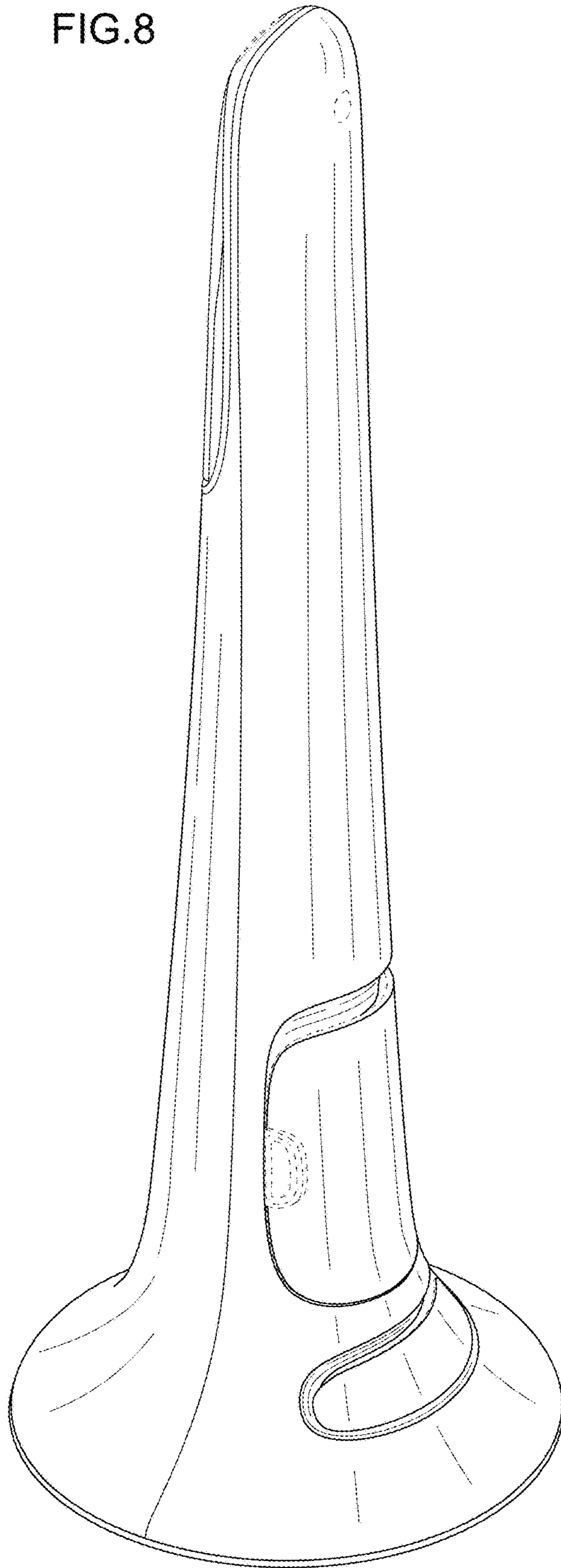


FIG.9

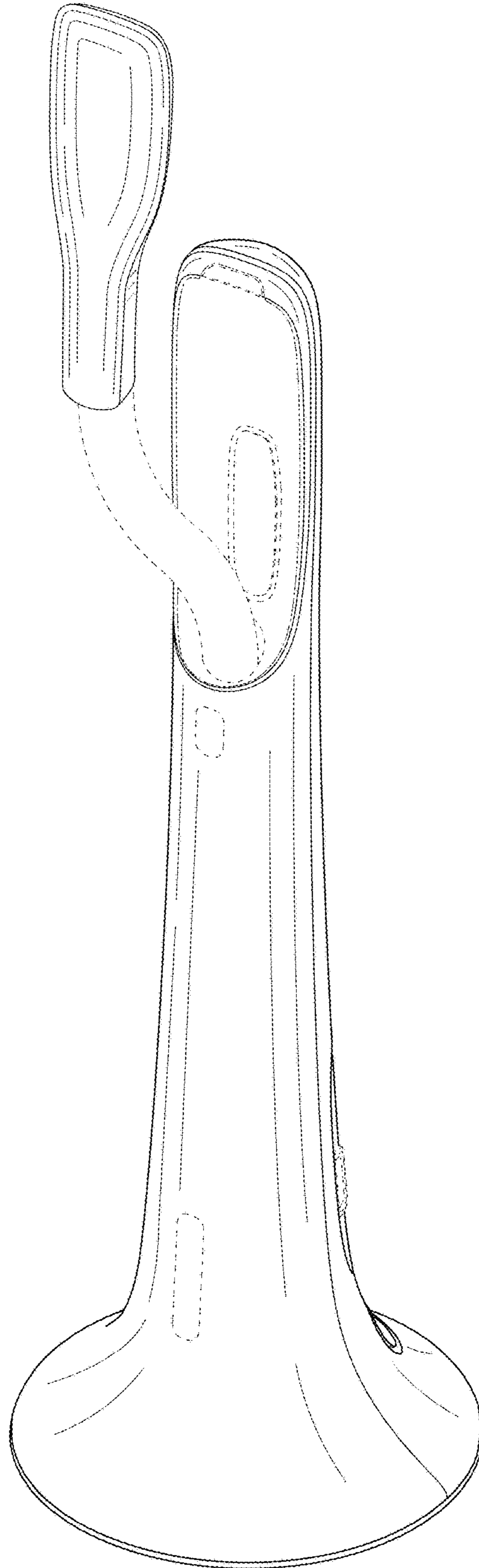


FIG.10

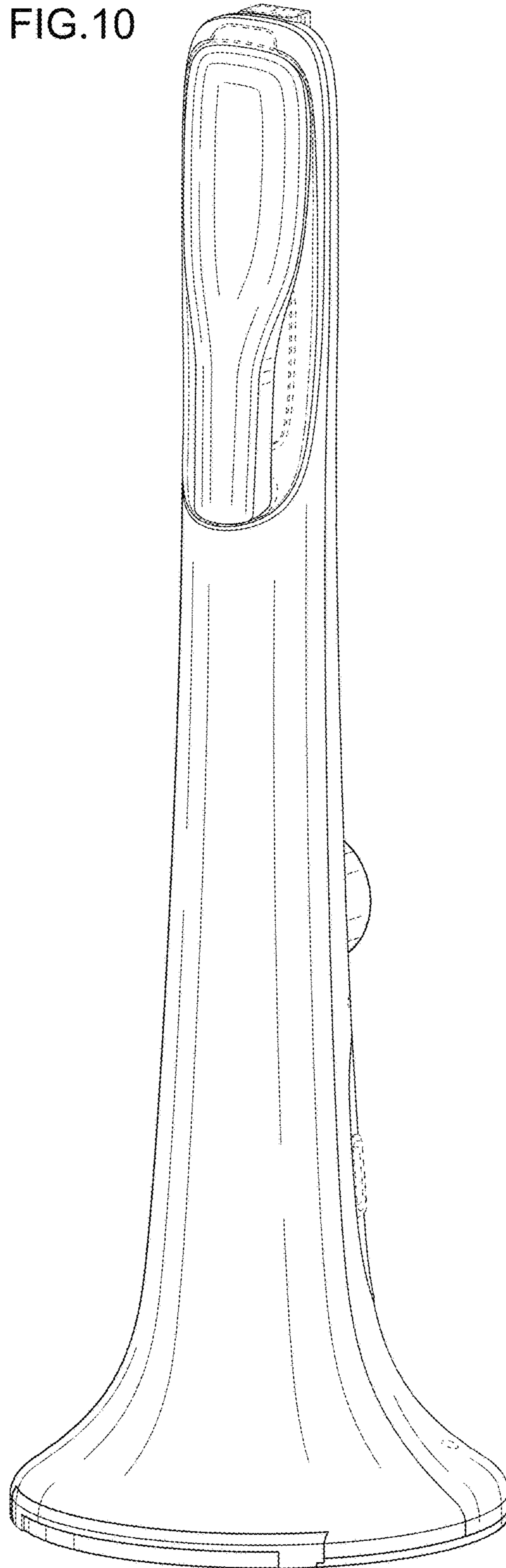


FIG.11

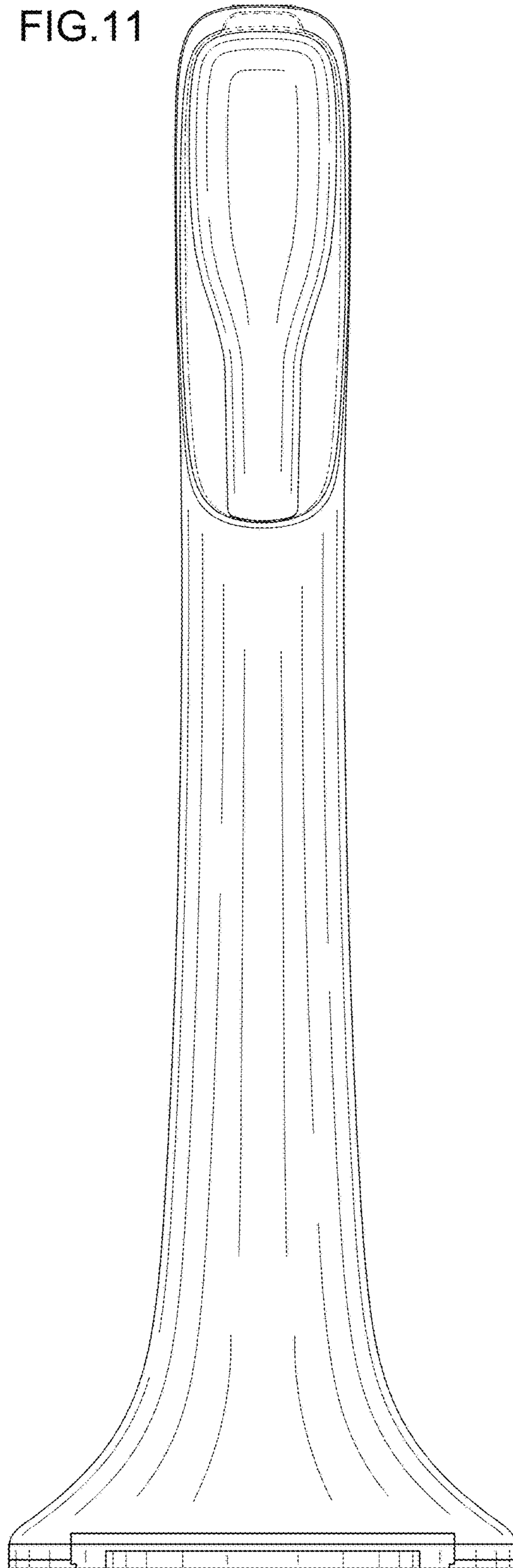


FIG. 12

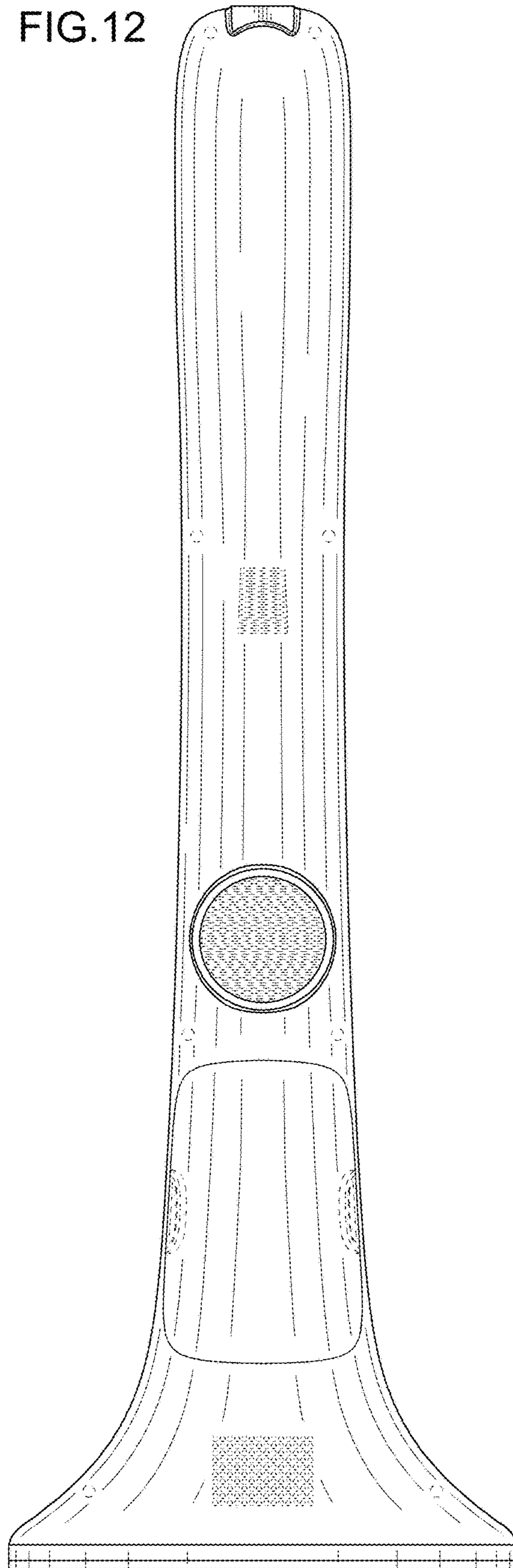


FIG. 13

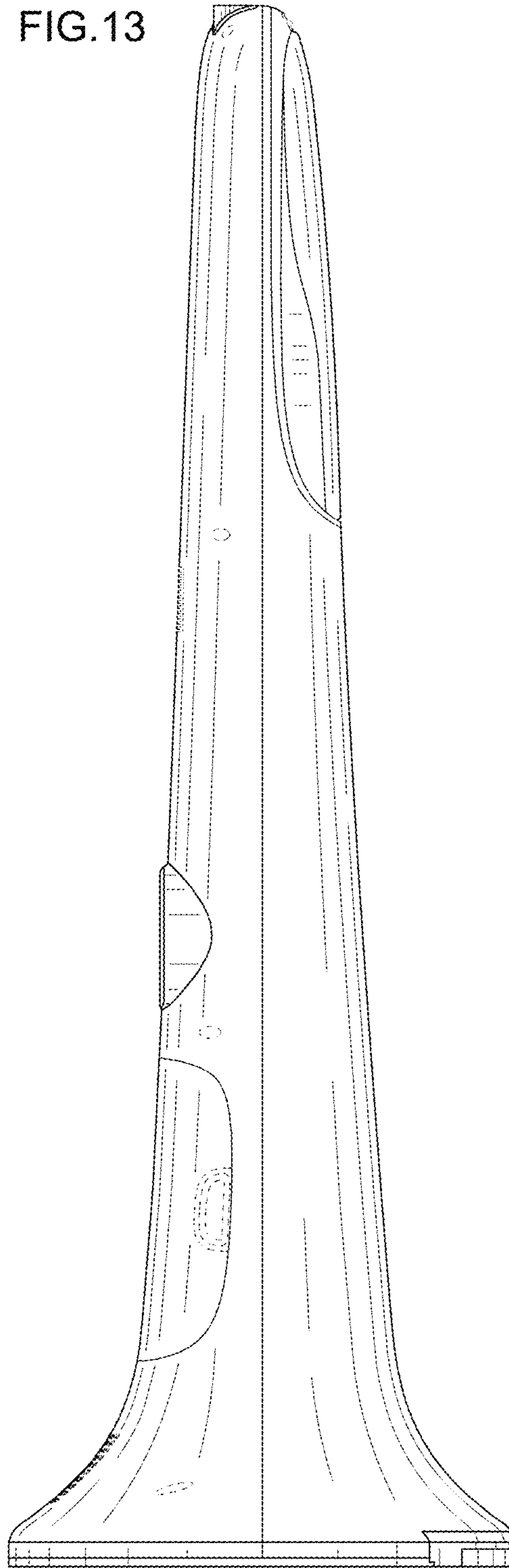


FIG.14

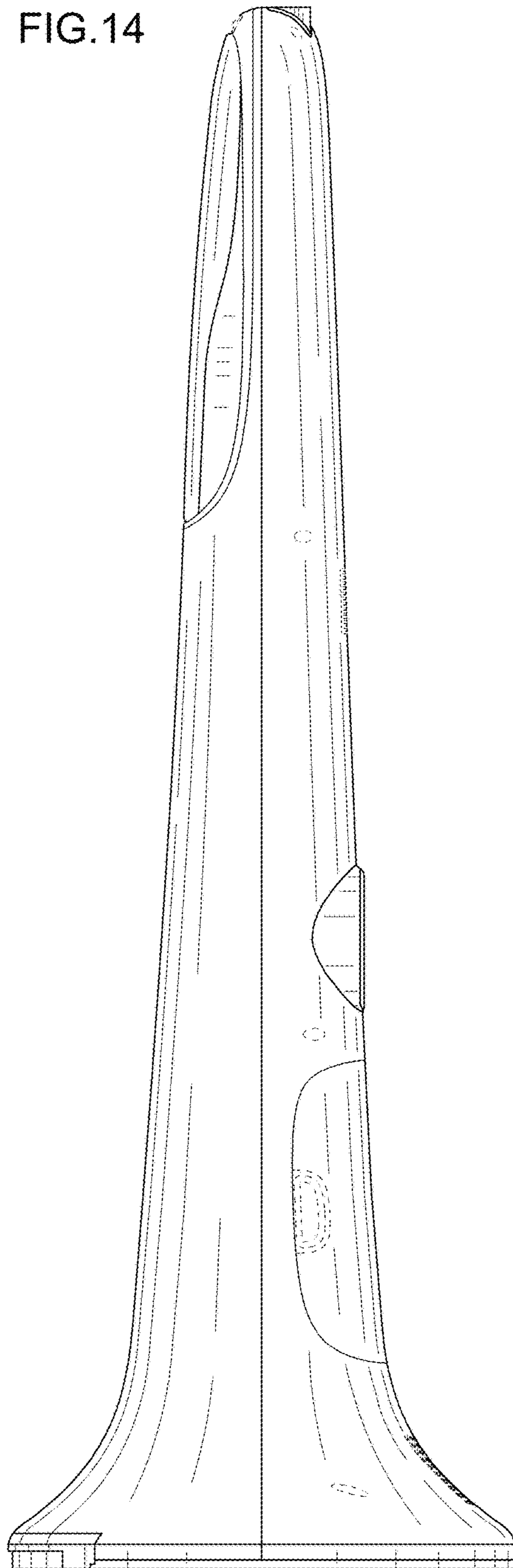


FIG. 15

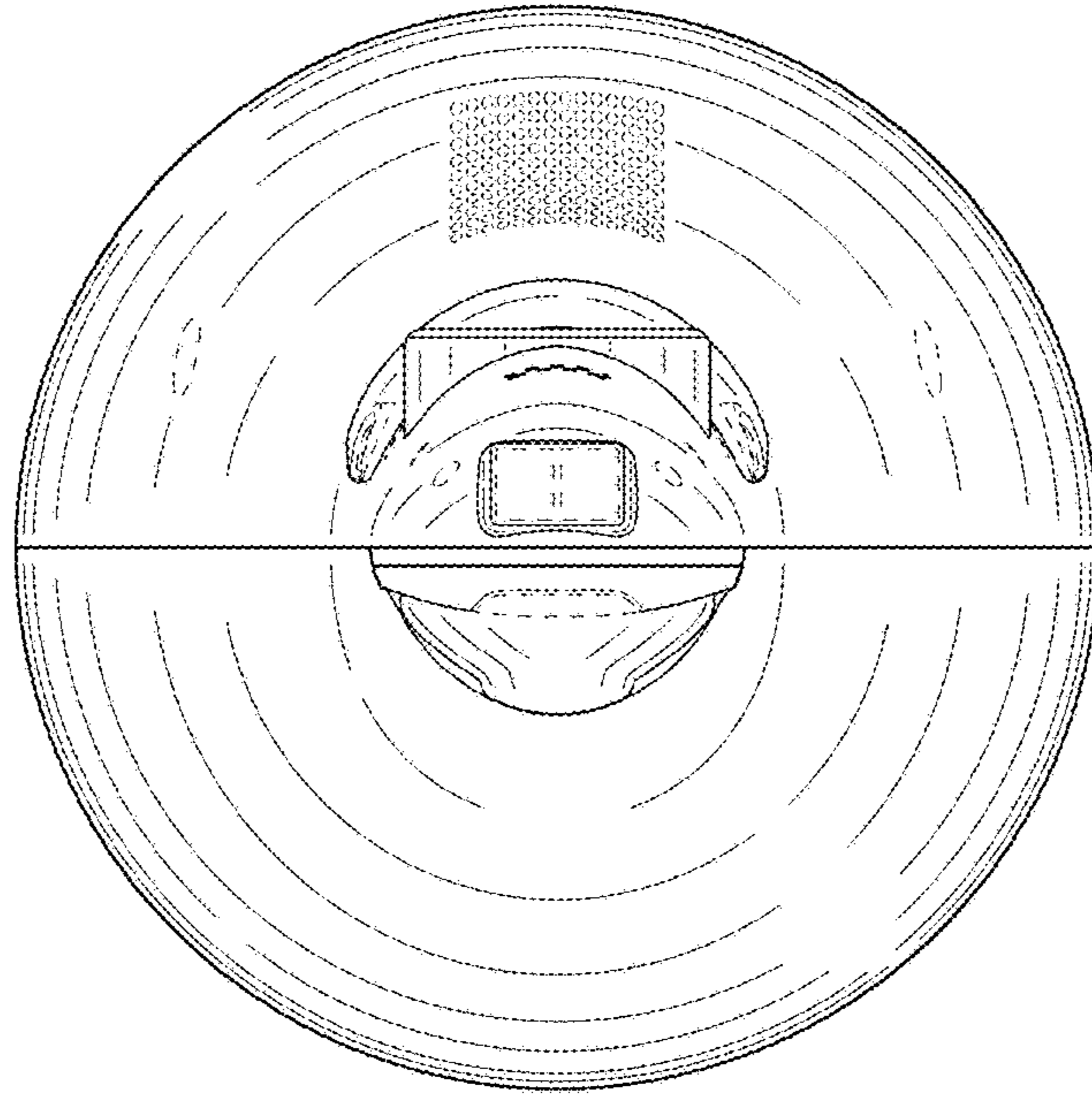


FIG. 16

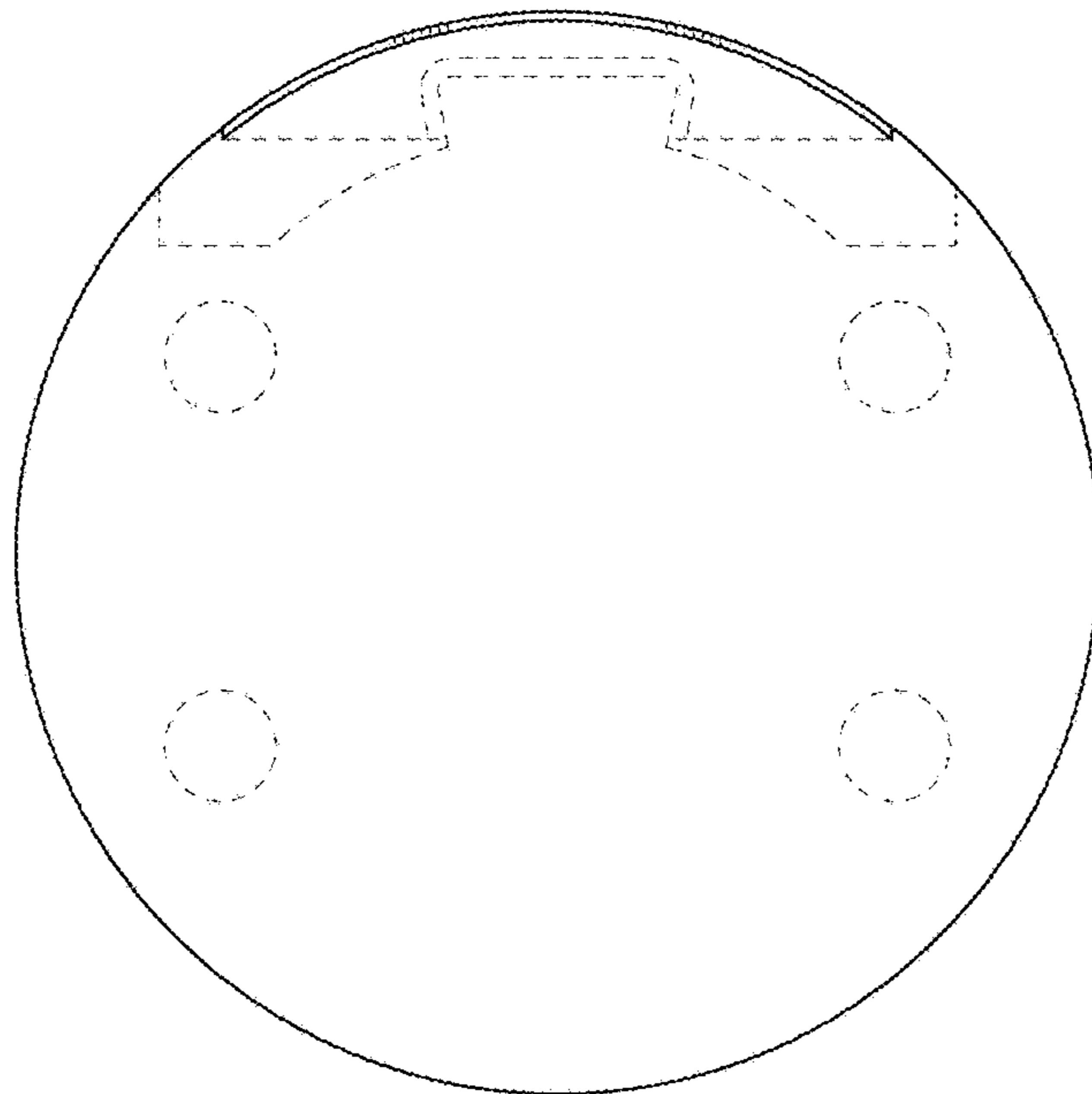


FIG.17

