



US00D808598S

(12) **United States Design Patent** (10) **Patent No.:** **US D808,598 S**  
**Baldwin et al.** (45) **Date of Patent:** **\*\* Jan. 23, 2018**

(54) **SPRAYER FOR DISH WASHING MACHINE**

D376,451 S \* 12/1996 Osborn ..... D32/3  
D461,284 S \* 8/2002 Hegeman ..... D32/3  
6,869,029 B2 \* 3/2005 Ochoa, Sr. .... A47L 15/508  
134/176

(71) Applicant: **WHIRLPOOL CORPORATION**,  
Benton Harbor, MI (US)

(Continued)

(72) Inventors: **Mark W. Baldwin**, Saint Joseph, MI  
(US); **Michael S. Seeley**, South Haven,  
MI (US)

**FOREIGN PATENT DOCUMENTS**

(73) Assignee: **Whirlpool Corporation**, Benton  
Harbor, MI (US)

GB 1018885 \* 4/1985  
JP D1320626 \* 2/2008  
KR 300458286.0000 \* 8/2007

(\*\*) Term: **15 Years**

**OTHER PUBLICATIONS**

(21) Appl. No.: **29/548,259**

Amazon UK, Smeg Dishwasher Upper Spray Arm, review Jan. 27,  
2015, <https://www.amazon.co.uk/Smeg-Dishwasher-Genuine-number-694570071/dp/B00EO1GUSW>, site visited May 22, 2017.\*

(22) Filed: **Dec. 11, 2015**

(Continued)

**Related U.S. Application Data**

(62) Division of application No. 29/471,178, filed on Oct.  
29, 2013, now Pat. No. Des. 748,351.

*Primary Examiner* — John Windmuller

*Assistant Examiner* — John R Yeh

(51) **LOC (11) Cl.** ..... **15-05**

(57) **CLAIM**

(52) **U.S. Cl.**  
USPC ..... **D32/3**

The ornamental design for a sprayer of a dish washing  
machine, as shown and described.

(58) **Field of Classification Search**  
USPC ..... D32/1-3, 25-27  
CPC ..... A47L 15/428; A47L 15/22-15/23; A47L  
15/42  
See application file for complete search history.

**DESCRIPTION**

FIG. 1 is a perspective view of an embodiment of a sprayer  
showing our new design;  
FIG. 2 is a front view of the sprayer from FIG. 1, the rear  
view being a mirror image thereof;  
FIG. 3 is a right side view of the sprayer from FIG. 1, the  
left side view being a mirror image thereof; and,  
FIG. 4 is a top view of the sprayer from FIG. 1.

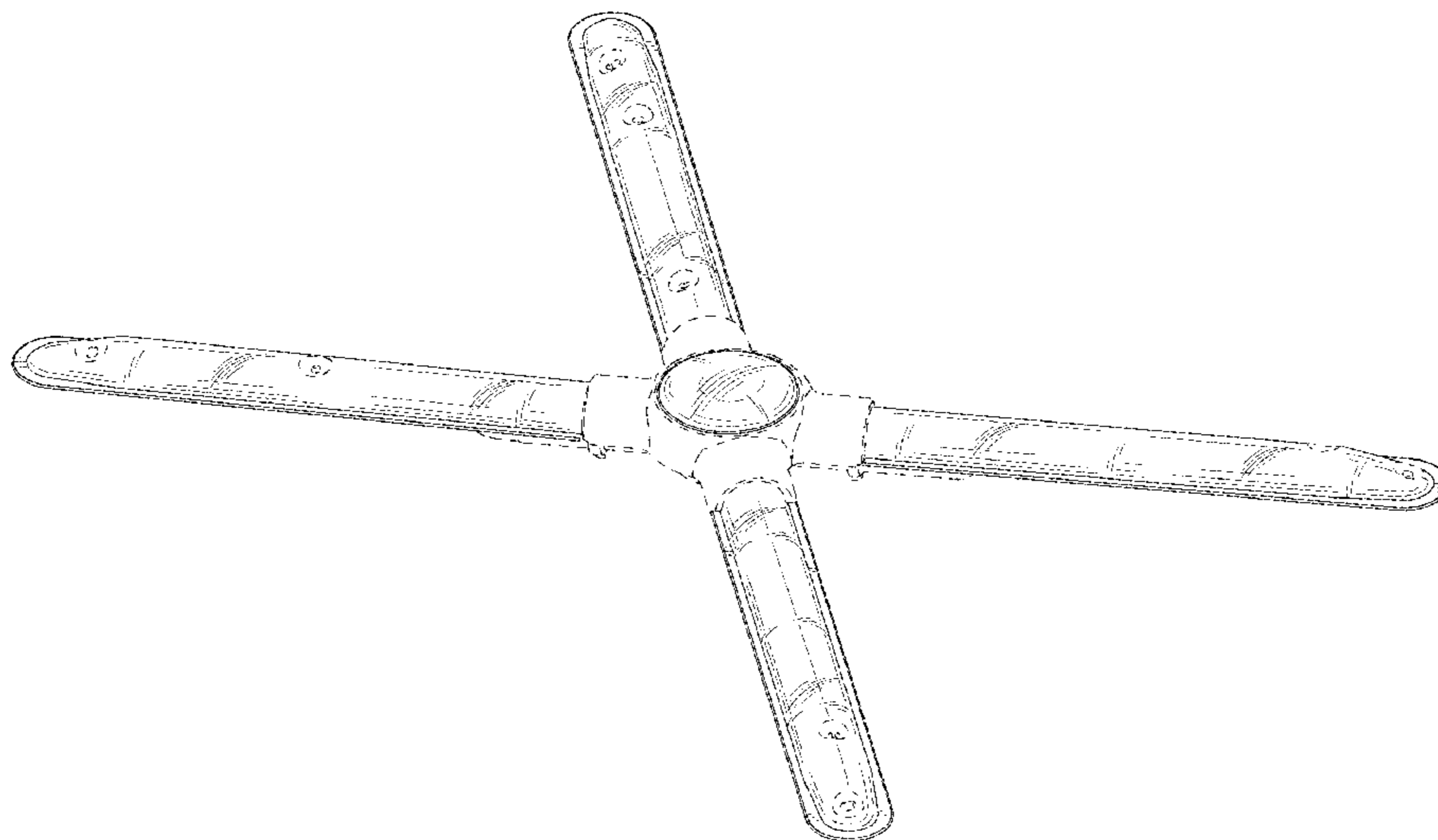
(56) **References Cited**

**U.S. PATENT DOCUMENTS**

1,737,257 A \* 11/1929 Merseles ..... A47L 15/23  
239/245  
2,380,090 A \* 7/1945 Wallace ..... A47L 15/23  
239/231  
2,905,393 A \* 9/1959 Federighi ..... A47L 15/23  
134/179  
D196,450 S \* 10/1963 Claywell ..... D32/3  
D212,121 S \* 8/1968 Tuthill et al. .... D32/3  
D314,255 S \* 1/1991 Brito ..... D32/3

As shown in FIGS. 1-4, the sprayer has arms and a medal-  
lion with a reflective appearance, such as polished metal or  
chrome for example, as represented by the shading. The  
broken lines in the figures illustrate portions of the sprayer  
for dish washing machine that form no part of the claimed  
design.

**1 Claim, 3 Drawing Sheets**



(56)

**References Cited**

U.S. PATENT DOCUMENTS

8,349,089 B2 \* 1/2013 Bertsch ..... A47L 15/16  
 134/135  
 D748,351 S \* 1/2016 Baldwin ..... D32/3  
 D750,855 S \* 3/2016 Lee ..... D32/3  
 2006/0075938 A1 \* 4/2006 Meissen ..... B65D 19/38  
 108/54.1  
 2010/0212692 A1 \* 8/2010 Sundaram ..... A47L 15/0049  
 134/18  
 2013/0068259 A1 \* 3/2013 Thiyagarajan ..... A47L 15/23  
 134/25.2  
 2013/0180555 A1 \* 7/2013 Lee ..... A47L 15/428  
 134/181  
 2014/0083470 A1 \* 3/2014 Kim ..... A47L 15/428  
 134/183  
 2014/0190525 A1 \* 7/2014 Porcaro, II ..... A47L 15/502  
 134/25.2  
 2015/0164299 A1 \* 6/2015 Naik ..... A47L 15/4282  
 134/179  
 2015/0335269 A1 \* 11/2015 Boydell ..... A61B 5/053  
 600/391

2015/0363022 A1 \* 12/2015 Sebastian ..... G06F 3/044  
 345/174  
 2017/0020359 A1 \* 1/2017 Choi ..... A47L 15/20  
 2017/0065147 A1 \* 3/2017 Boyer ..... A47L 15/4289  
 2017/0086640 A1 \* 3/2017 Feddema ..... A47L 15/23  
 2017/0135552 A1 \* 5/2017 Yu ..... A47L 15/4278

OTHER PUBLICATIONS

Let Me Count the Waves: New GE Dishwasher, GE press release  
 Oct. 9, 2013, <http://pressroom.geappliances.com/news/let-me-count-the-waves:-new-ge-dishwasher-has-102-cleaning-jets-to-thoroughly-clean-your-dishes>, site visited May 22, 2017.\*  
 Dishwasher Spray Arm, ebay site update May 23, 2016, [May 22, 2017 10:10:09 PM], <http://www.ebay.com/rms=aid%3D222007%26algo%3DSIC.MBE%26ao%3D1%26asc%3D40130%26meid%3D45711005602b4f3a8243468e45a23bda%26pid%3D100011%26rk%3D3%26rkt%3D9%26mehot%3Dlo%26sd%3D11260297912>.  
 LG's Quad Wash dishwashers, CNET article date Jan. 4, 2017, <https://www.cnet.com/products/lg-quad-wash-dishwasher/pre-view/>, site visited May 22, 2017.\*

\* cited by examiner

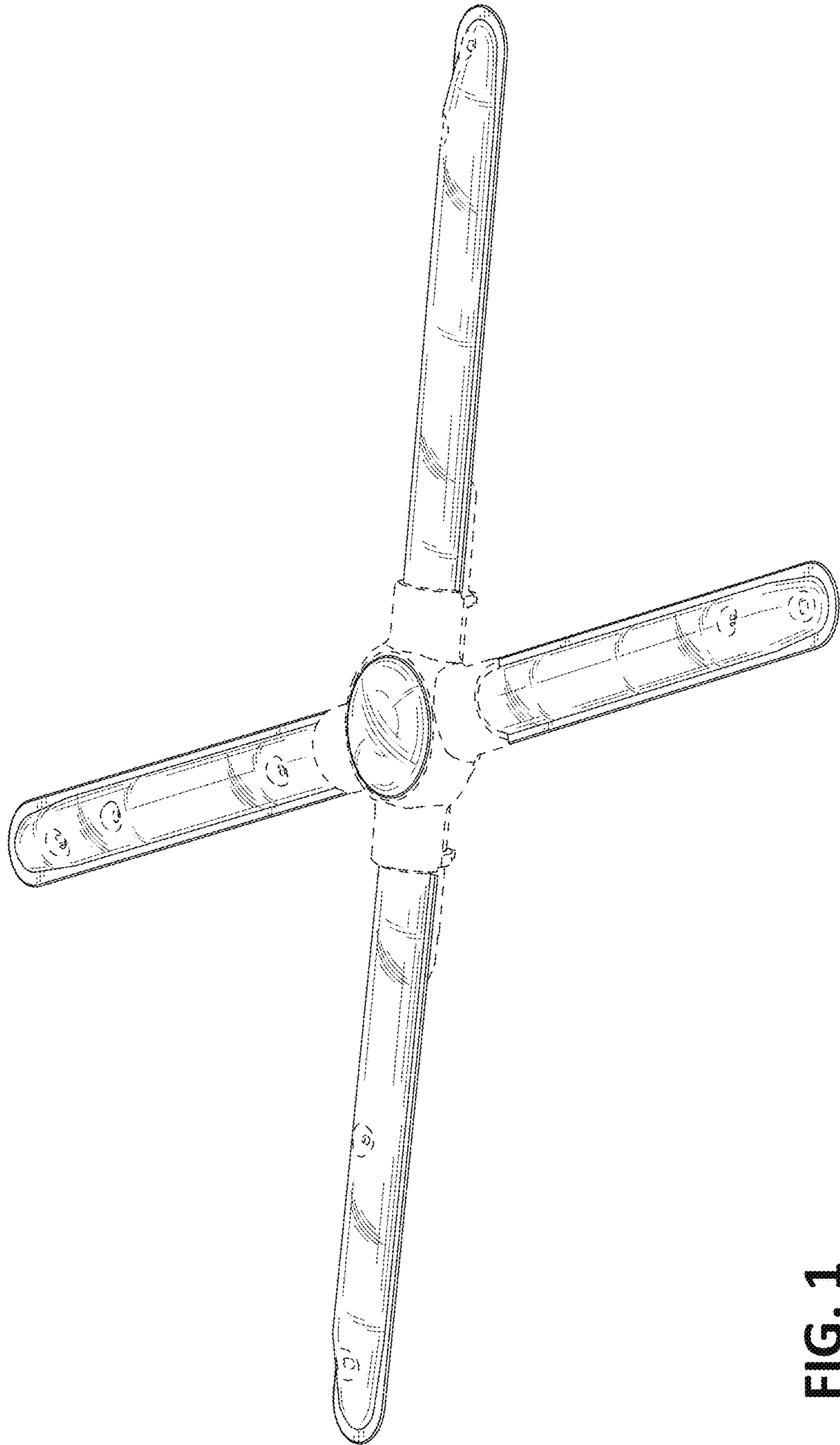


FIG. 1

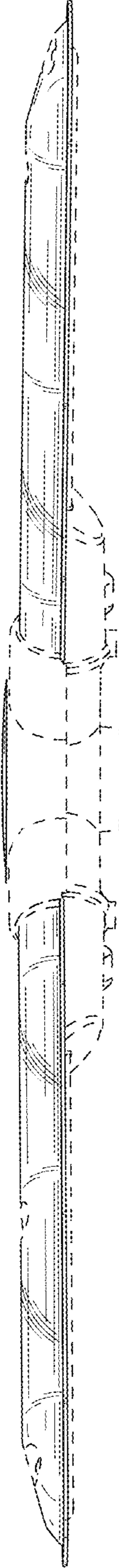


FIG. 2



FIG. 3

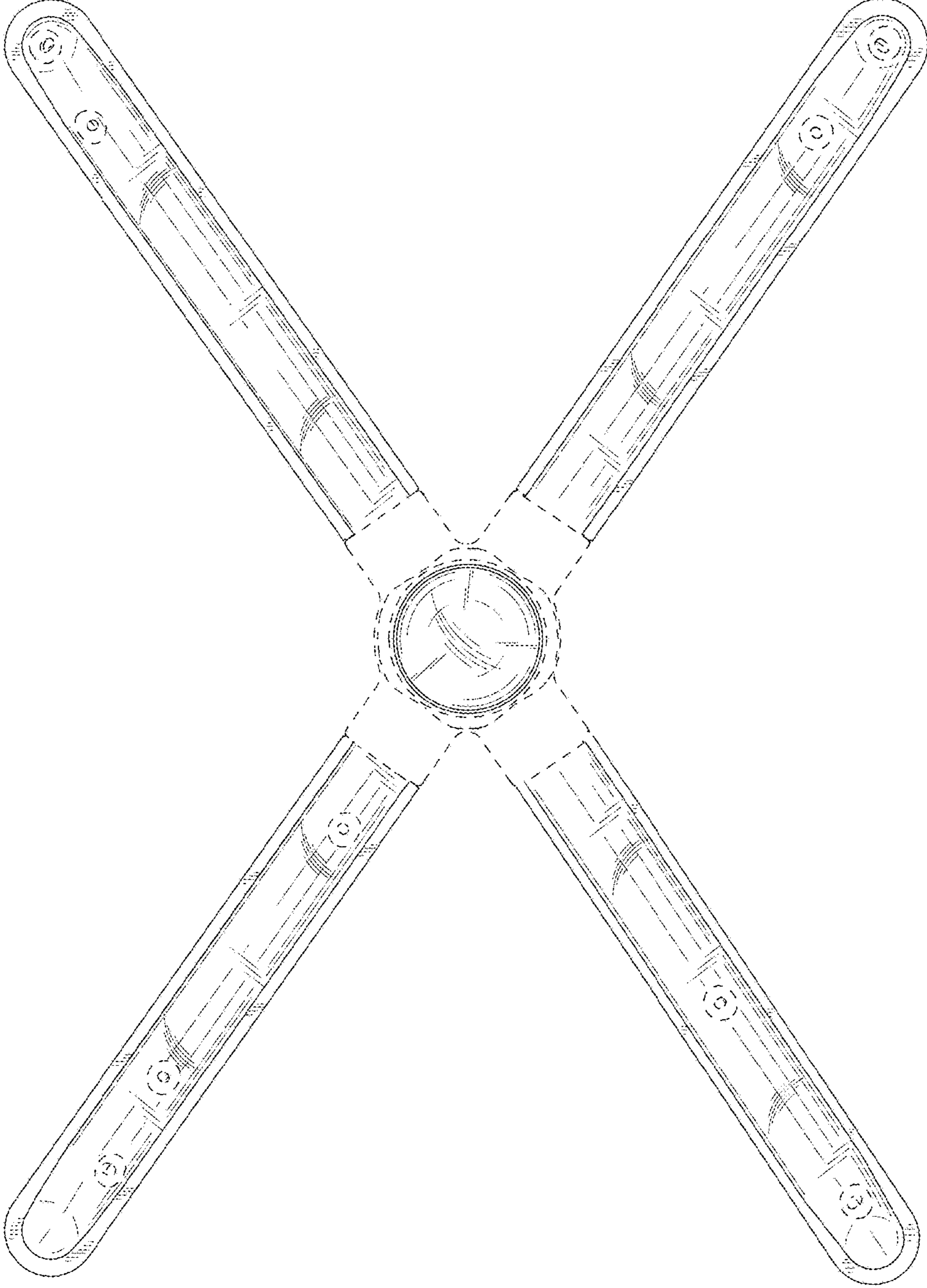


FIG. 4