



US00D808596S

(12) **United States Design Patent**
Veness

(10) **Patent No.:** **US D808,596 S**
(45) **Date of Patent:** **** Jan. 23, 2018**

- (54) **PET CARRIER**
- (71) Applicant: **Doskocil Manufacturing Company, Inc., Arlington, TX (US)**
- (72) Inventor: **David Veness, Fort Worth, TX (US)**
- (73) Assignee: **DOSKOCIL MANUFACTURING COMPANY, INC., Arlington, TX (US)**
- (**) Term: **15 Years**
- (21) Appl. No.: **29/572,984**
- (22) Filed: **Aug. 2, 2016**
- (51) **LOC (11) Cl.** **30-02**
- (52) **U.S. Cl.**
USPC **D30/108**
- (58) **Field of Classification Search**
USPC D30/108–109, 112–117; 119/431, 452, 119/461, 481–482, 496–498, 500
CPC A01K 1/0245; A01K 1/0254; A01K 1/033; A01K 1/03; A01K 13/18; A01K 31/002; A01K 31/00; A01K 31/06
See application file for complete search history.

- 2011/0041774 A1* 2/2011 Northrop A01K 1/0245 119/497
- 2013/0233250 A1* 9/2013 Veness A01K 1/034 119/496
- 2014/0261219 A1* 9/2014 Renforth A01K 1/0254 119/482

* cited by examiner

Primary Examiner — Robin V Webster

Assistant Examiner — James C Thorn, Sr.

(74) *Attorney, Agent, or Firm* — Global IP Counselors, LLP

(57) **CLAIM**

The ornamental design for a pet carrier, as shown and described.

DESCRIPTION

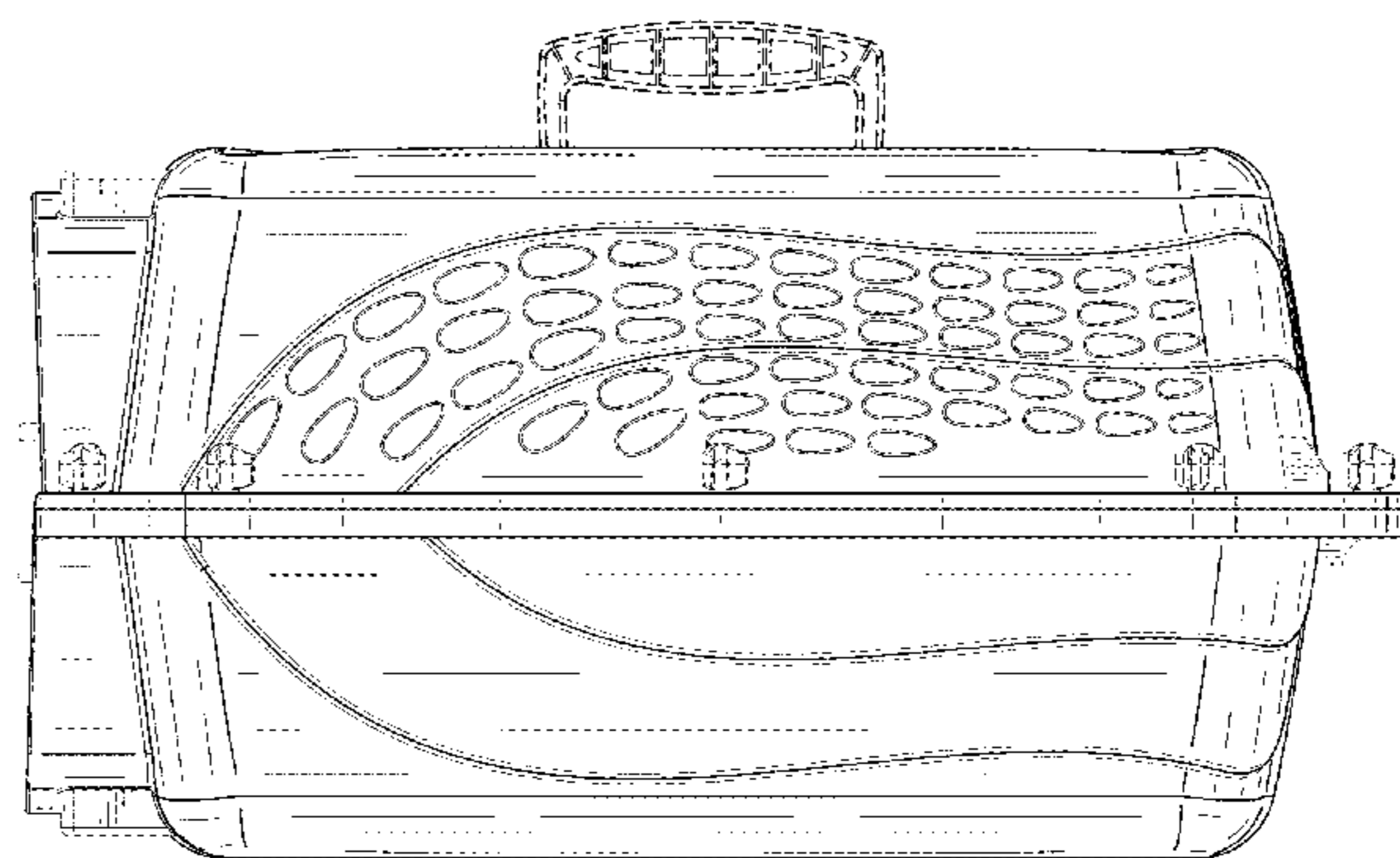
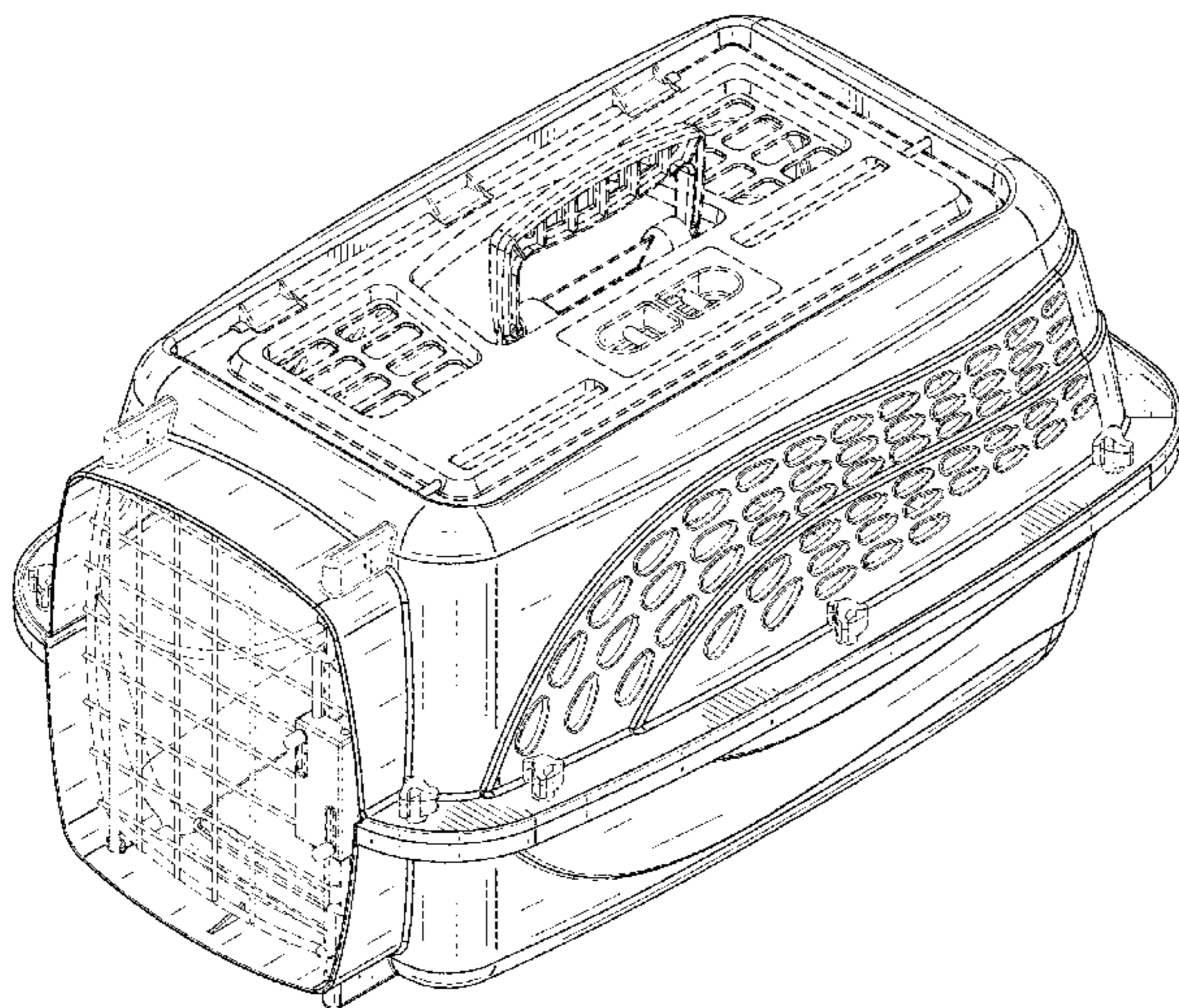
FIG. 1 is a top perspective view of a pet carrier in accordance with my new design;
 FIG. 2 is a bottom perspective view thereof;
 FIG. 3 is a top view thereof;
 FIG. 4 is a bottom view thereof;
 FIG. 5 is a right side view thereof;
 FIG. 6 is a left side view thereof;
 FIG. 7 is a front view thereof;
 FIG. 8 is a back view thereof;
 FIG. 9 is a top perspective view thereof showing the top door of the carrier open;
 FIG. 10 is back perspective view thereof showing the top door of the carrier open;
 FIG. 11 is a top view thereof showing the top door of the carrier open; and,
 FIG. 12 is a front view thereof showing the top door of the carrier open.
 The broken lines shown in the drawings form no part of the claimed design.

(56) **References Cited**

U.S. PATENT DOCUMENTS

- D659,294 S * 5/2012 Veness D30/109
- D703,876 S * 4/2014 Chance D30/108
- D705,995 S * 5/2014 Veness D30/108
- D713,099 S * 9/2014 Chance D30/109
- D760,447 S * 6/2016 Edmonds D30/109
- D762,332 S * 7/2016 Chance D30/108
- D768,941 S * 10/2016 Edmonds D30/109
- 2004/0194723 A1* 10/2004 Farmer A01K 1/0254 119/474
- 2009/0223461 A1* 9/2009 Trunnell A01K 1/0245 119/472

1 Claim, 12 Drawing Sheets



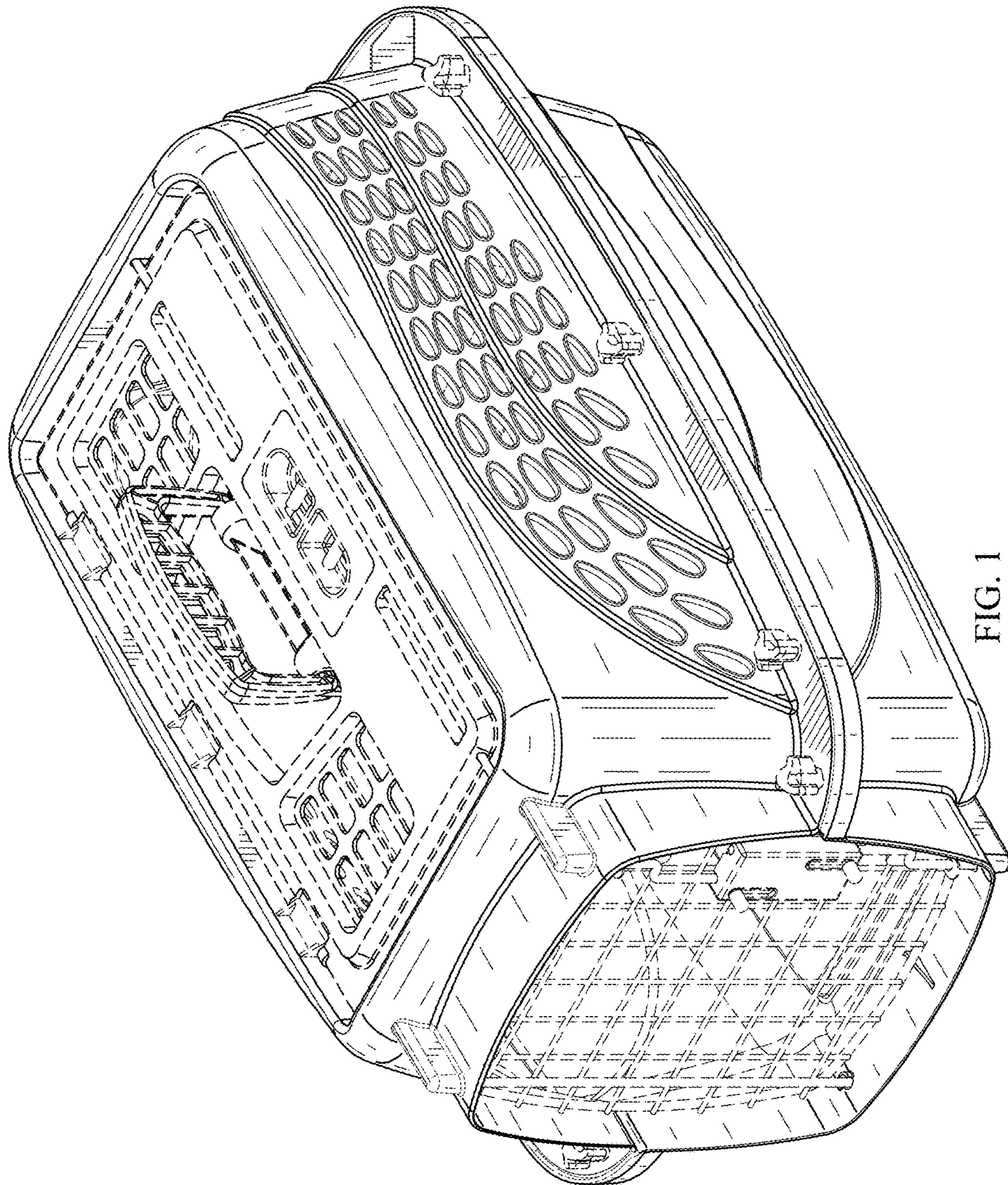


FIG. 1

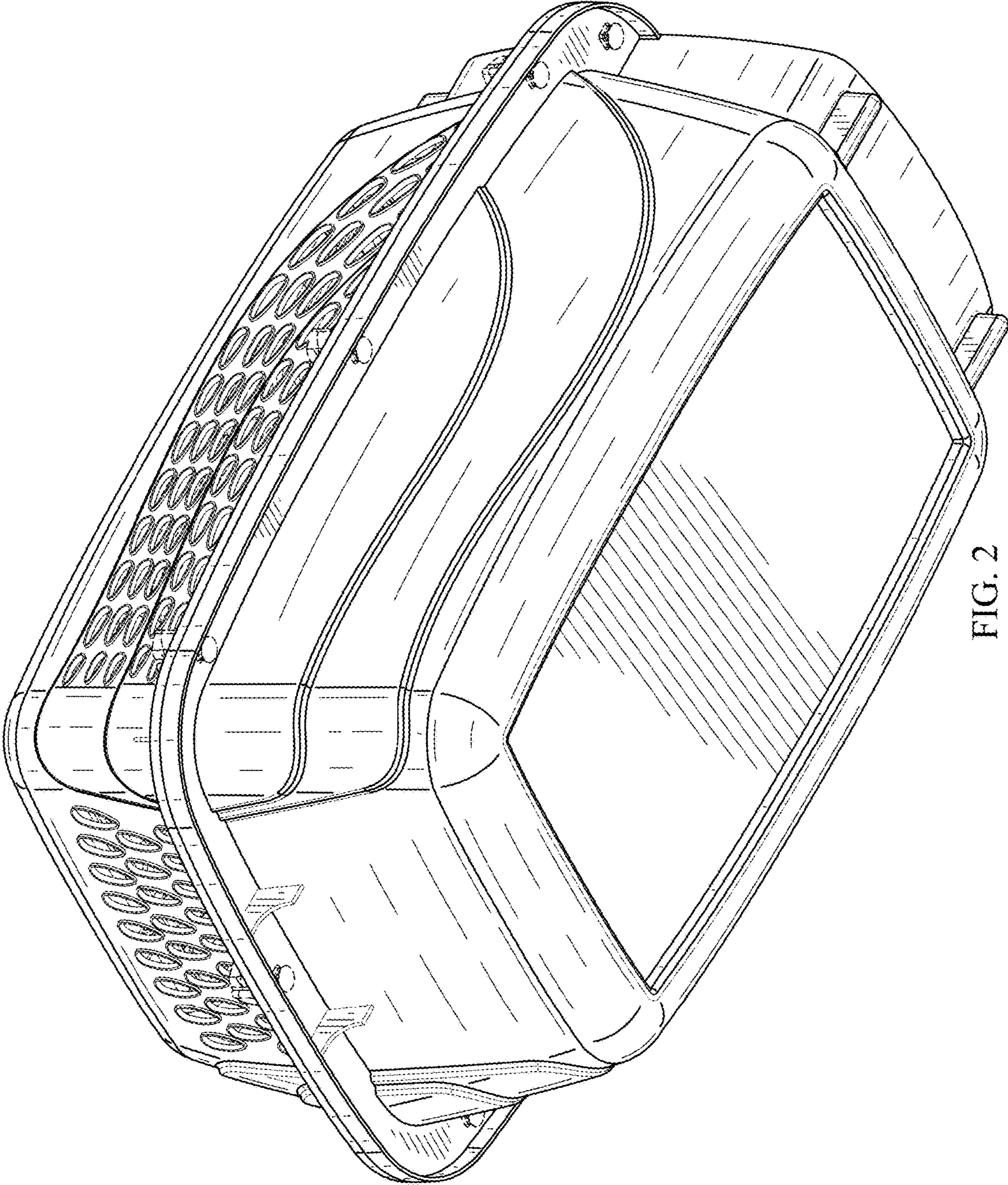


FIG. 2

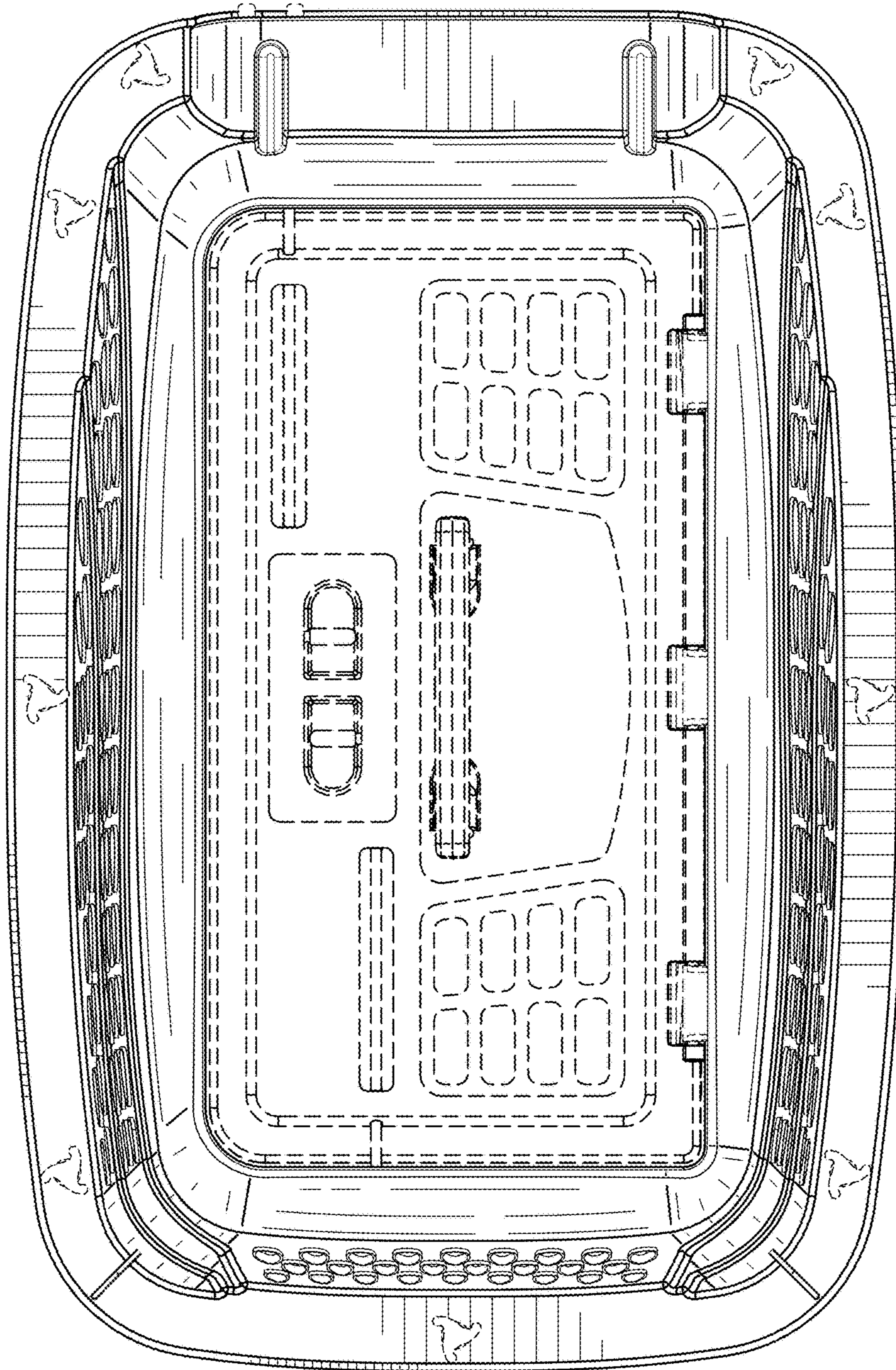


FIG. 3

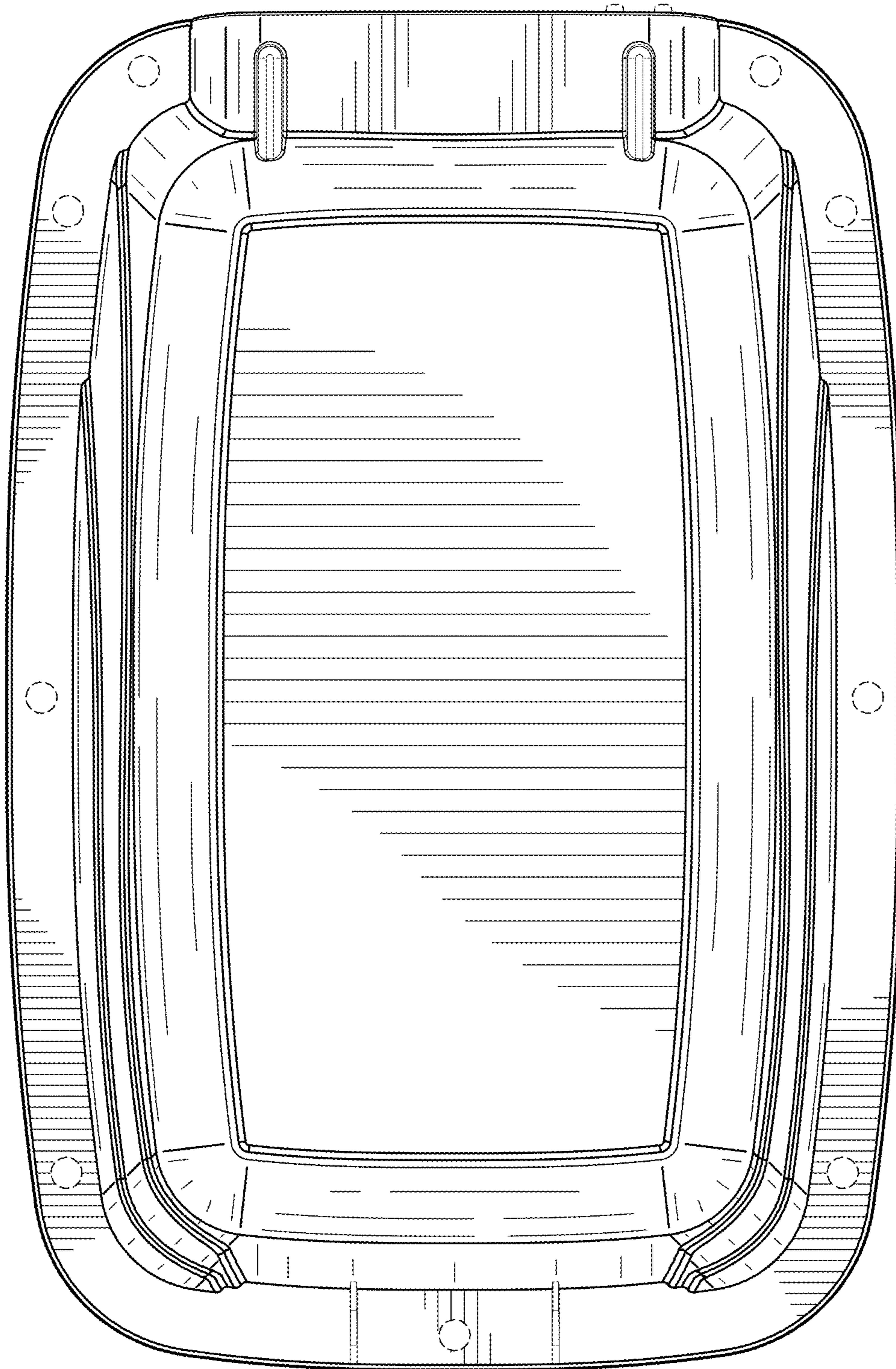


FIG. 4

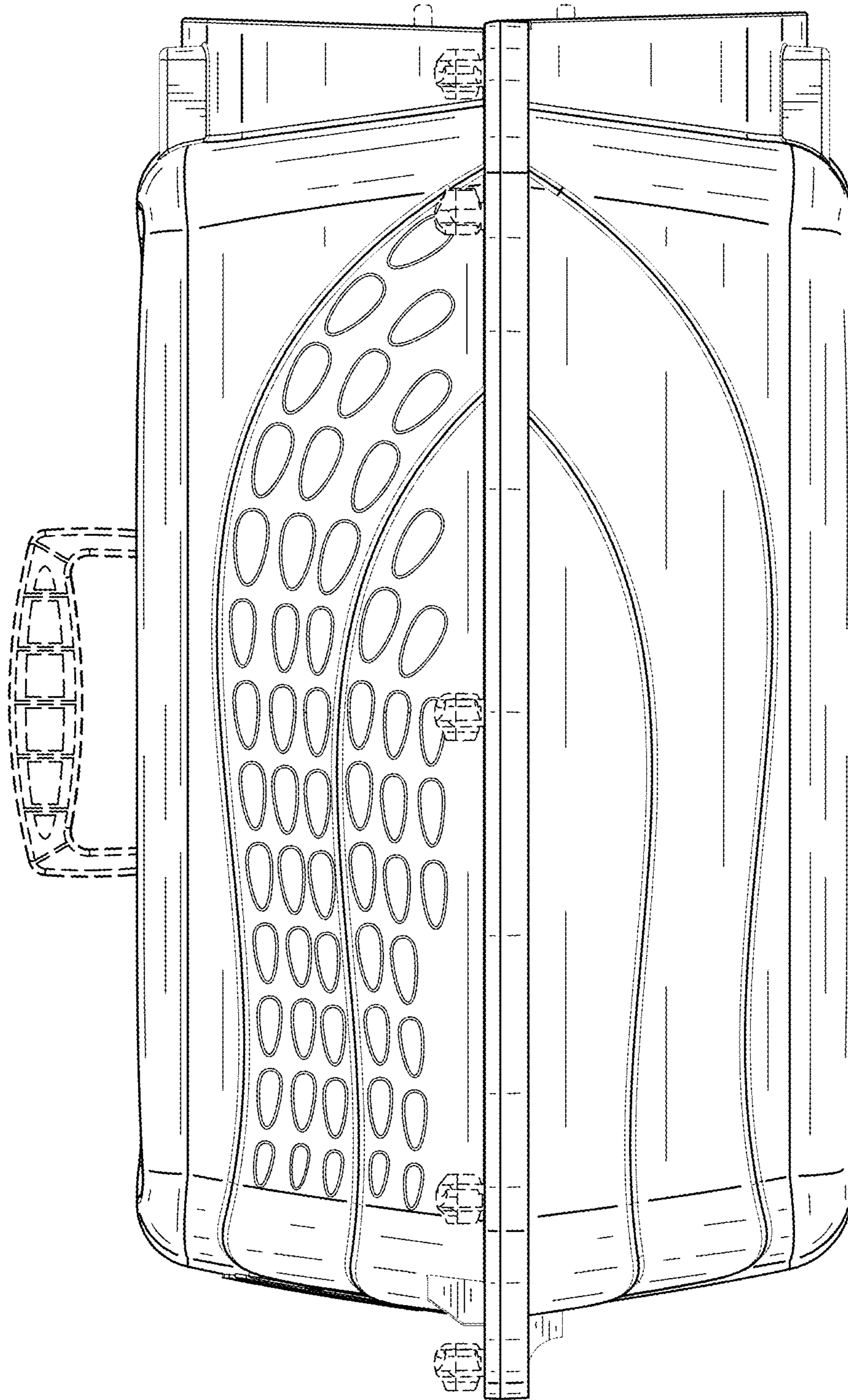


FIG. 5

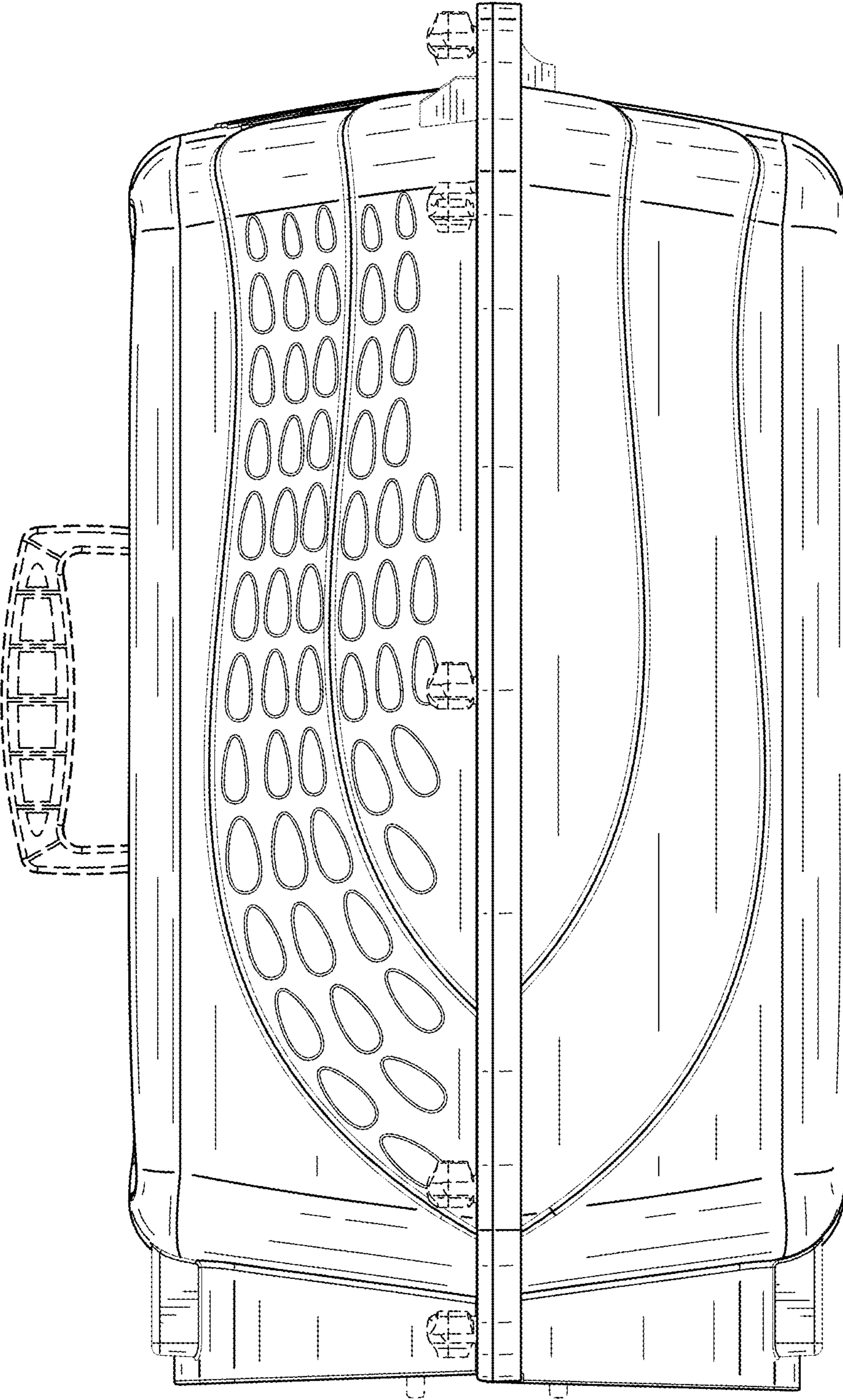


FIG. 6

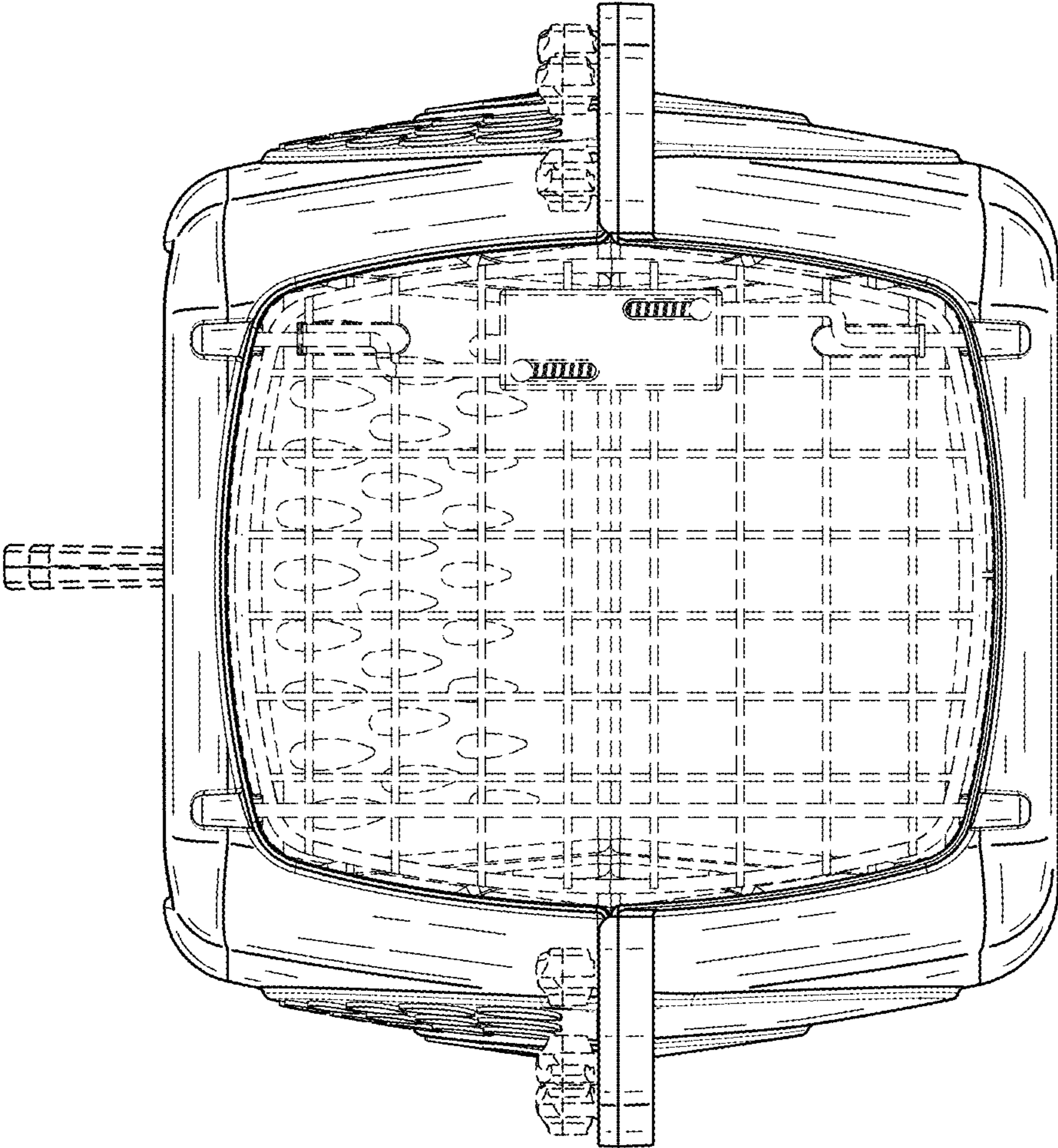


FIG. 7

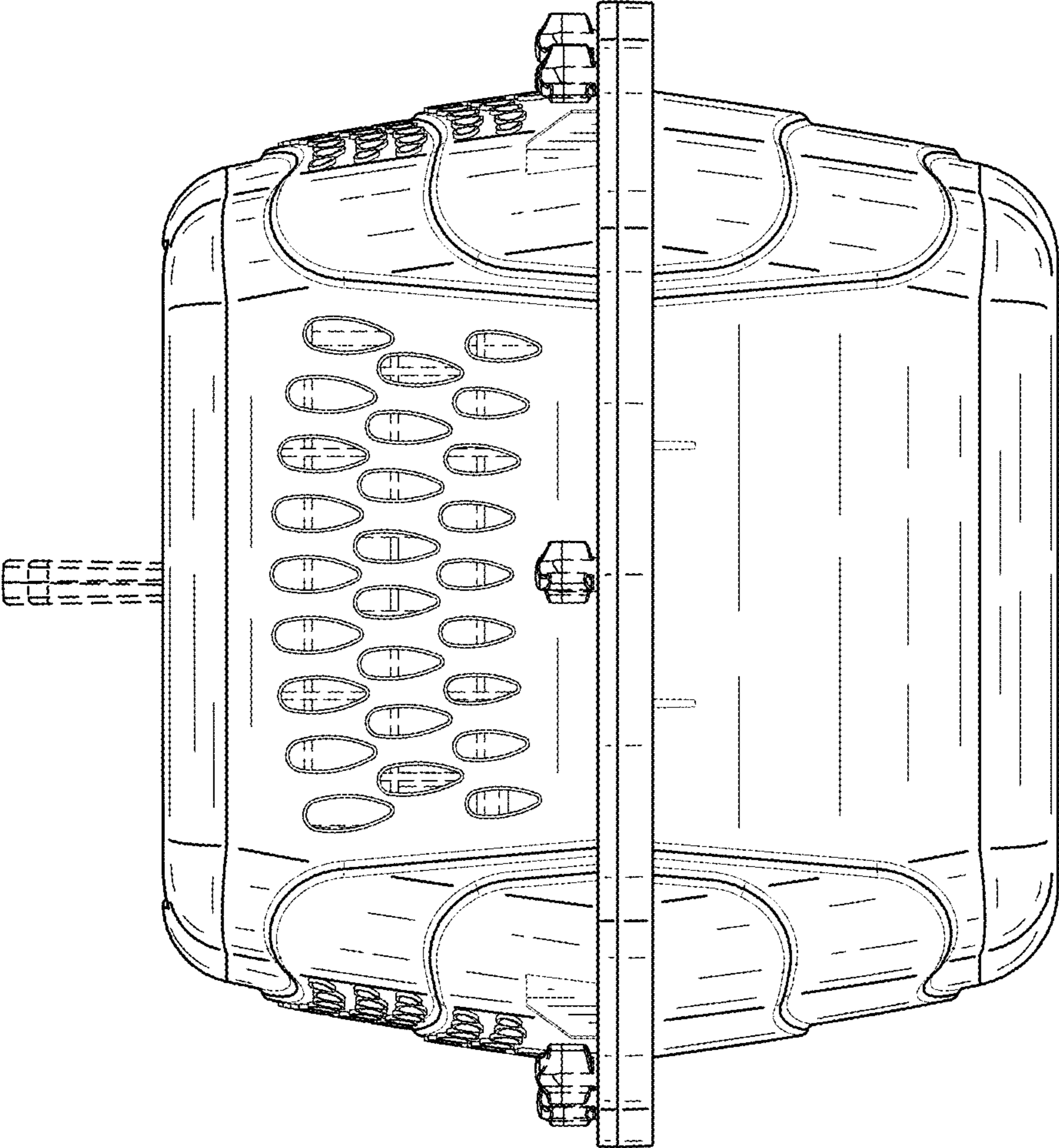


FIG. 8

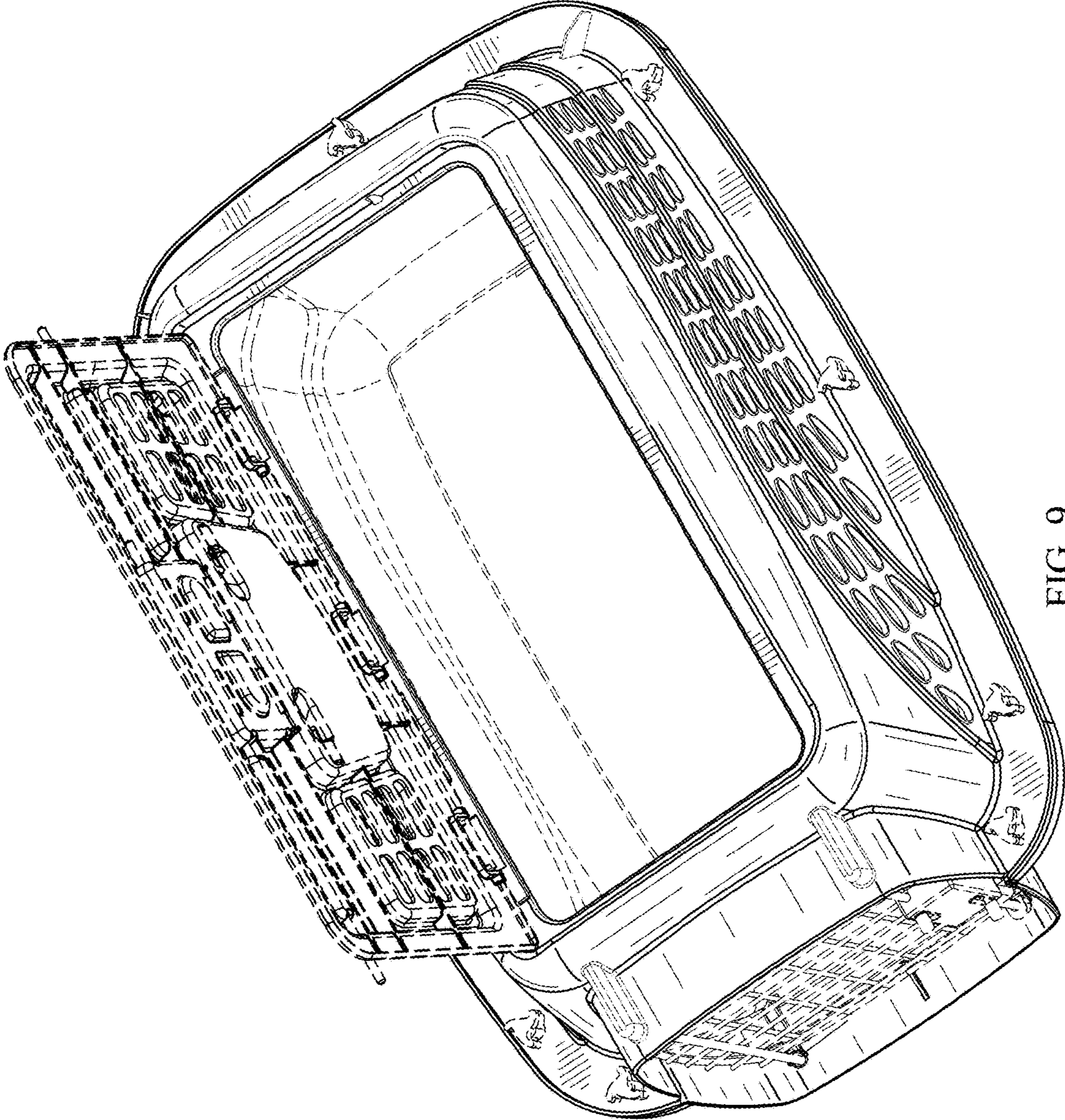


FIG. 9

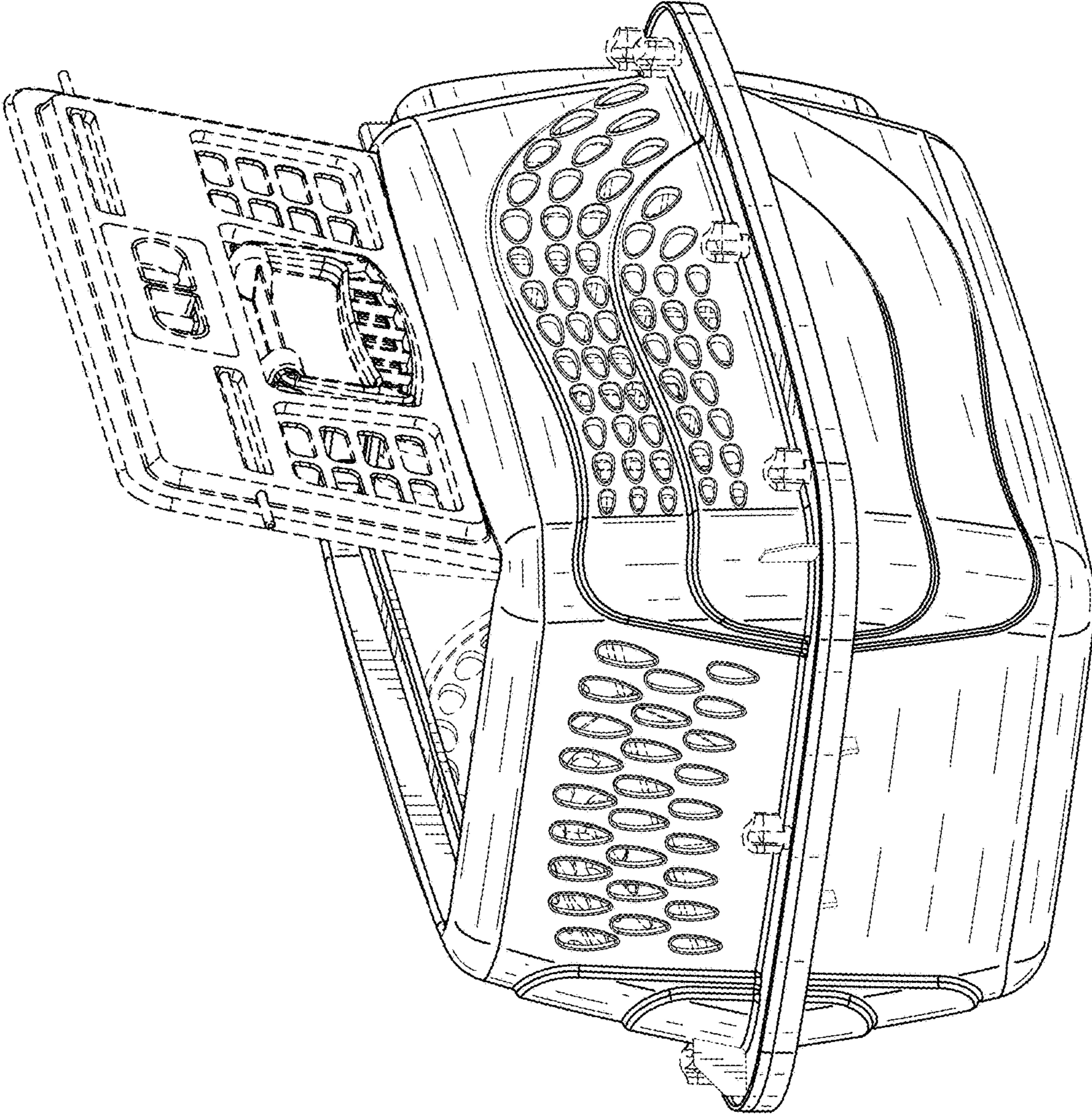


FIG. 10

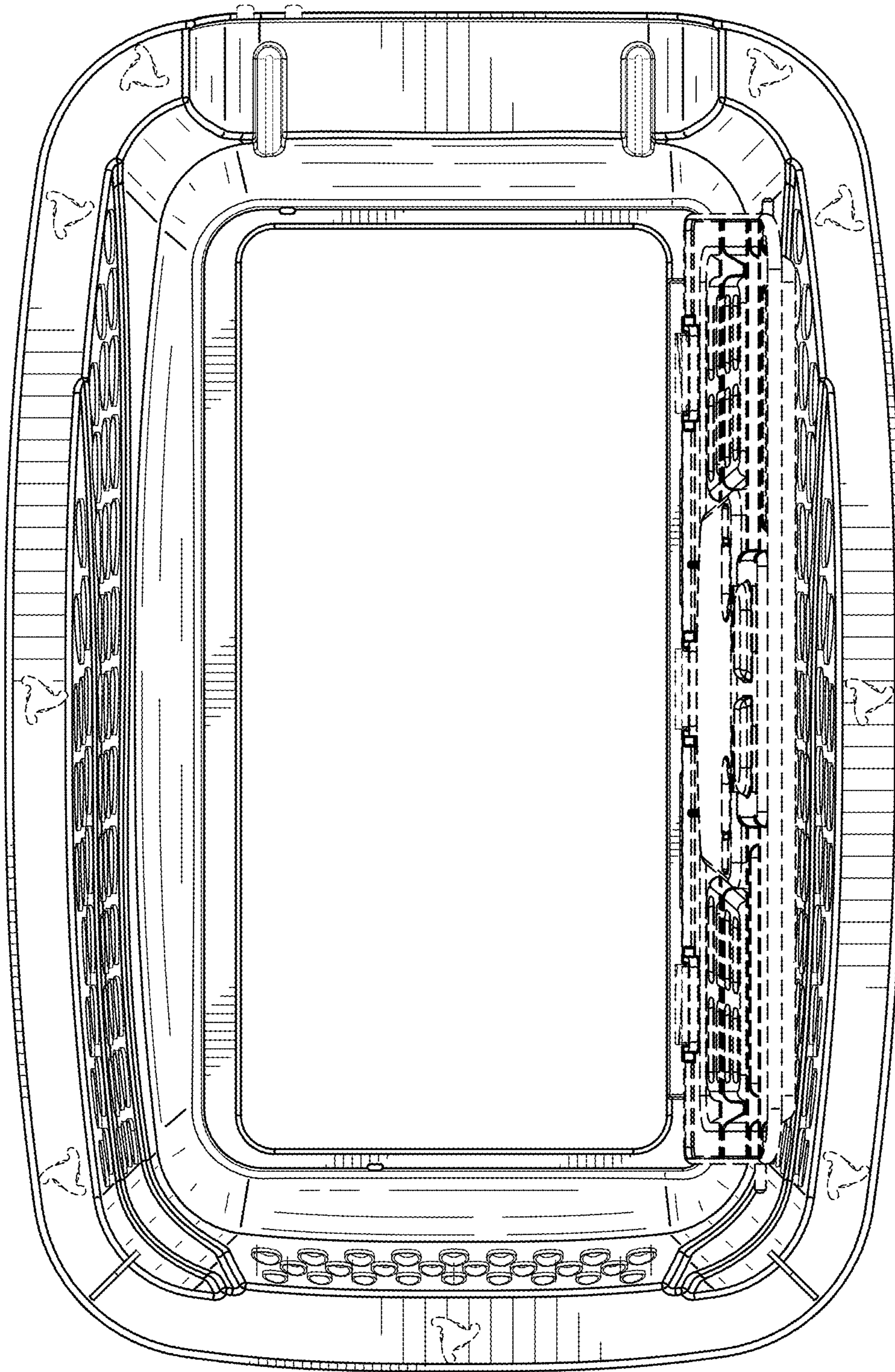


FIG. 11

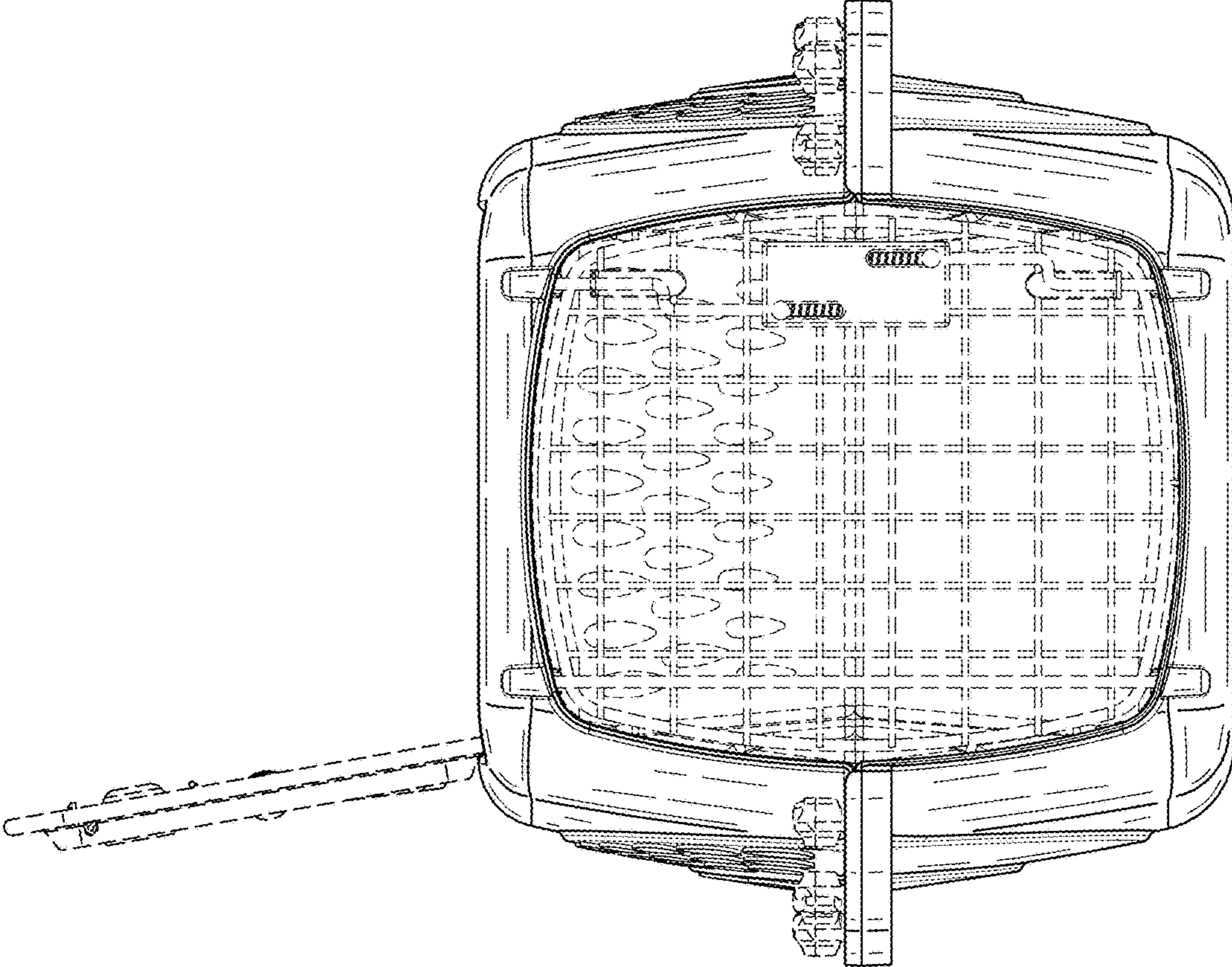


FIG. 12