



US00D808593S

(12) **United States Design Patent**
Reiner

(10) **Patent No.:** **US D808,593 S**

(45) **Date of Patent:** **** Jan. 23, 2018**

(54) **COMBINED HEART-SHAPED COSMETIC AND CONTAINER**

(71) Applicant: **James Reiner**, Webster Groves, MO (US)

(72) Inventor: **James Reiner**, Webster Groves, MO (US)

(**) Term: **15 Years**

(21) Appl. No.: **29/540,847**

(22) Filed: **Sep. 29, 2015**

(51) **LOC (11) Cl.** **28-03**

(52) **U.S. Cl.**
USPC **D28/87**; D28/79; D9/629

(58) **Field of Classification Search**
USPC D28/8.2, 4, 79, 81; D9/629; D1/112
CPC A45D 2040/0012; A45D 40/22-40/24;
A45D 2034/007; A45D 33/18
See application file for complete search history.

(56) **References Cited**

U.S. PATENT DOCUMENTS

D210,689 S *	4/1968	Rhoades	D10/92
D282,741 S *	2/1986	Rivette	D14/143
D407,854 S *	4/1999	DeGaetano	D28/80
6,058,942 A *	5/2000	Eng	A45D 33/00 132/200
D470,991 S *	2/2003	Goldstein	D99/5
D478,189 S *	8/2003	Sheng	D28/78
6,695,510 B1 *	2/2004	Look	A45D 40/04 401/49
D501,801 S *	2/2005	Wolff	D10/70

D509,637 S *	9/2005	Wozniak	D99/5
D515,267 S *	2/2006	Wozniak	D99/5
D526,571 S *	8/2006	Terrasi	D7/539
D573,119 S *	7/2008	Akagawa	D14/138 AB
D588,057 S *	3/2009	Soler My	D13/100
D611,441 S *	3/2010	Johansson	D14/138 AB
D633,148 S *	2/2011	Nash	D19/86
D634,074 S *	3/2011	Tsai	D28/87
D648,504 S *	11/2011	Khan	D99/5
D696,832 S *	12/2013	Khan	D99/5
D721,593 S *	1/2015	Lavigne	D9/629
2006/0005853 A1 *	1/2006	Shen	A45D 33/008 132/296

OTHER PUBLICATIONS

Heart shaped baby bump belly balm, www.freshpickedbeauty.com, uploaded Apr. 2014, 5 pages, downloaded Dec. 13, 2016.*

* cited by examiner

Primary Examiner — Jennifer Rivard

(57) **CLAIM**

I claim the ornamental design for a combined heart-shaped cosmetic and container, as shown and described.

DESCRIPTION

FIG. 1 illustrates the front view of the combined heart-shaped cosmetic and container according to the present invention;

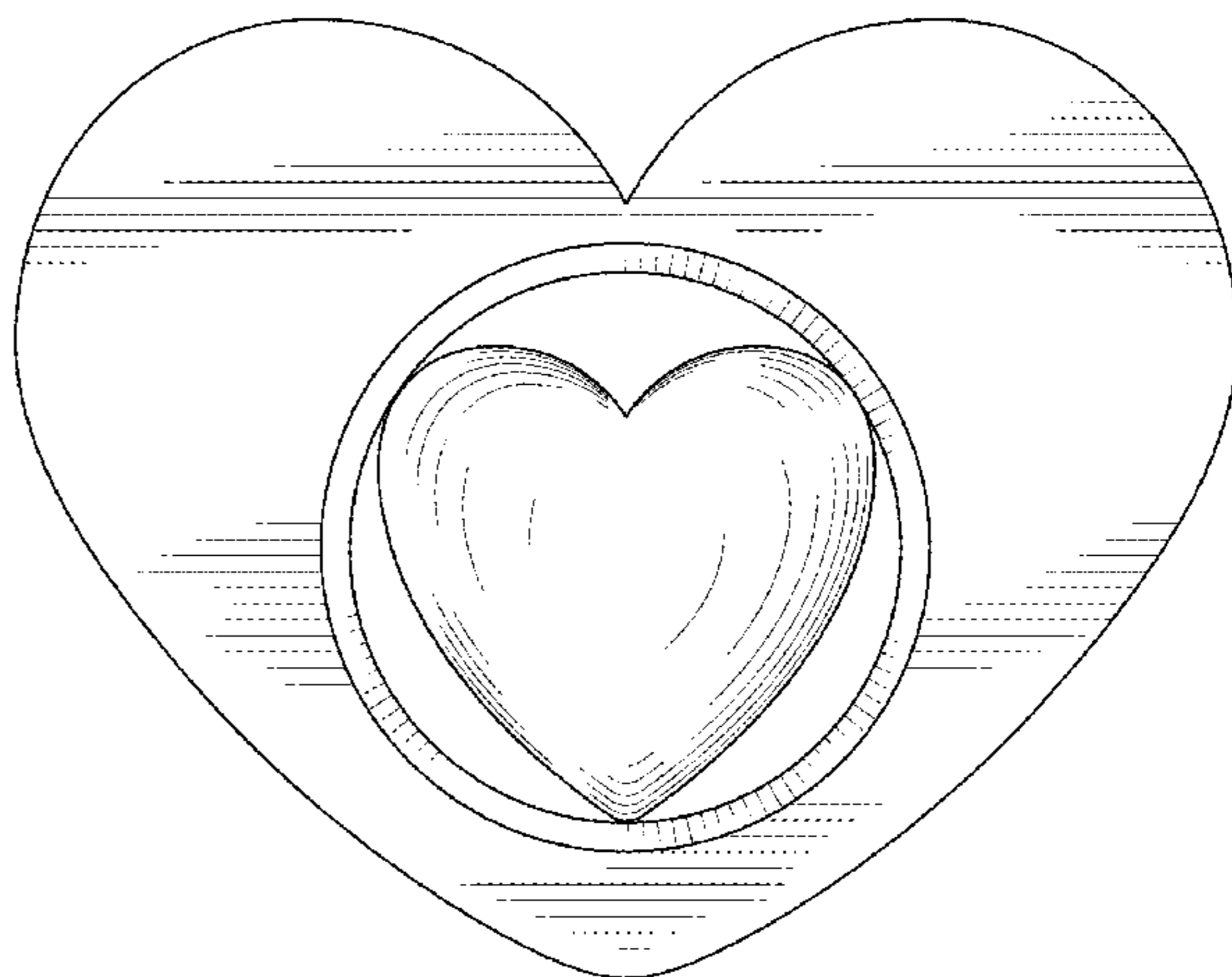
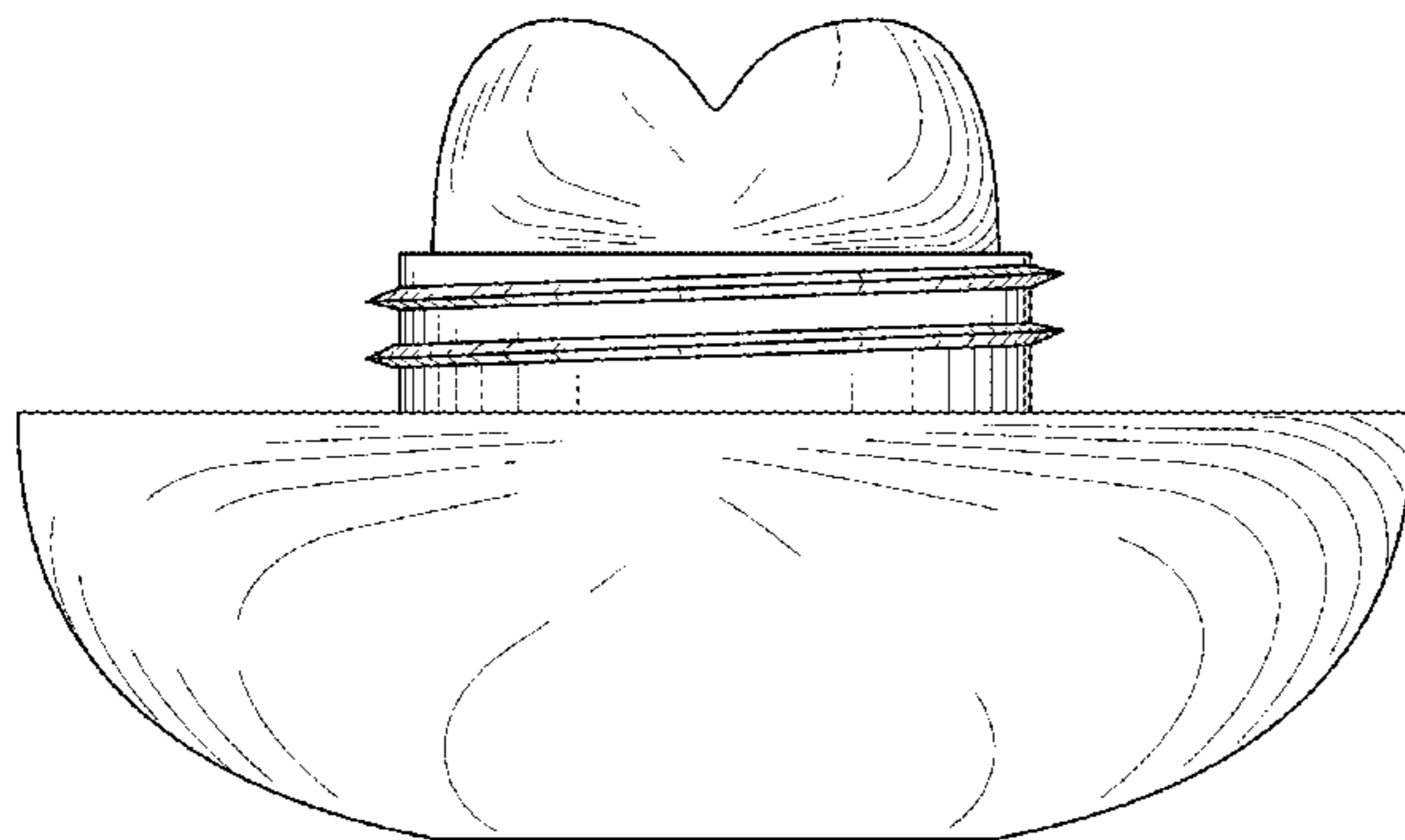
FIG. 2 illustrates the back view thereof;

FIG. 3 illustrates the left side view thereof;

FIG. 4 illustrates the right side view thereof; and,

FIG. 5 illustrates the top view thereof.

1 Claim, 5 Drawing Sheets



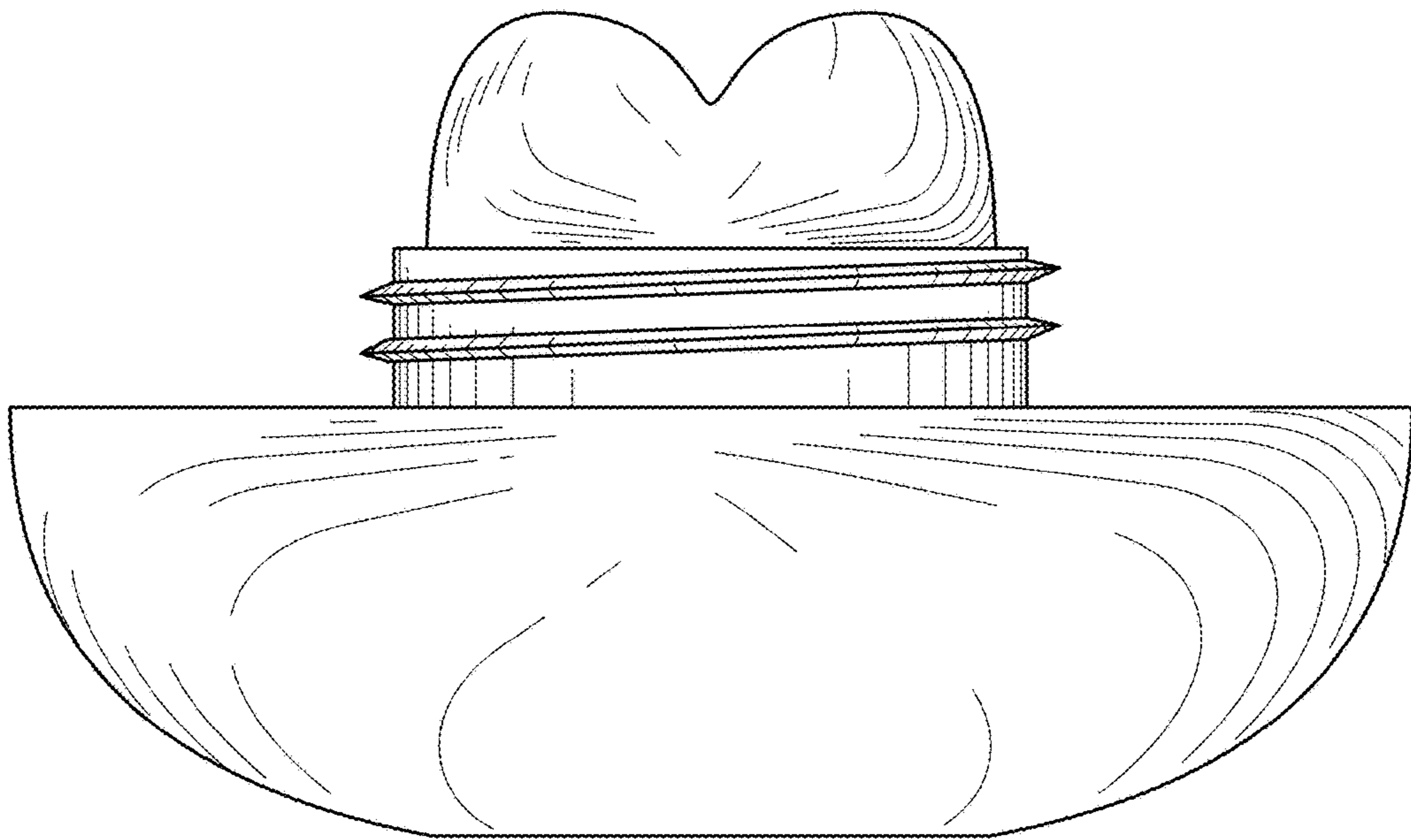


FIG. 1

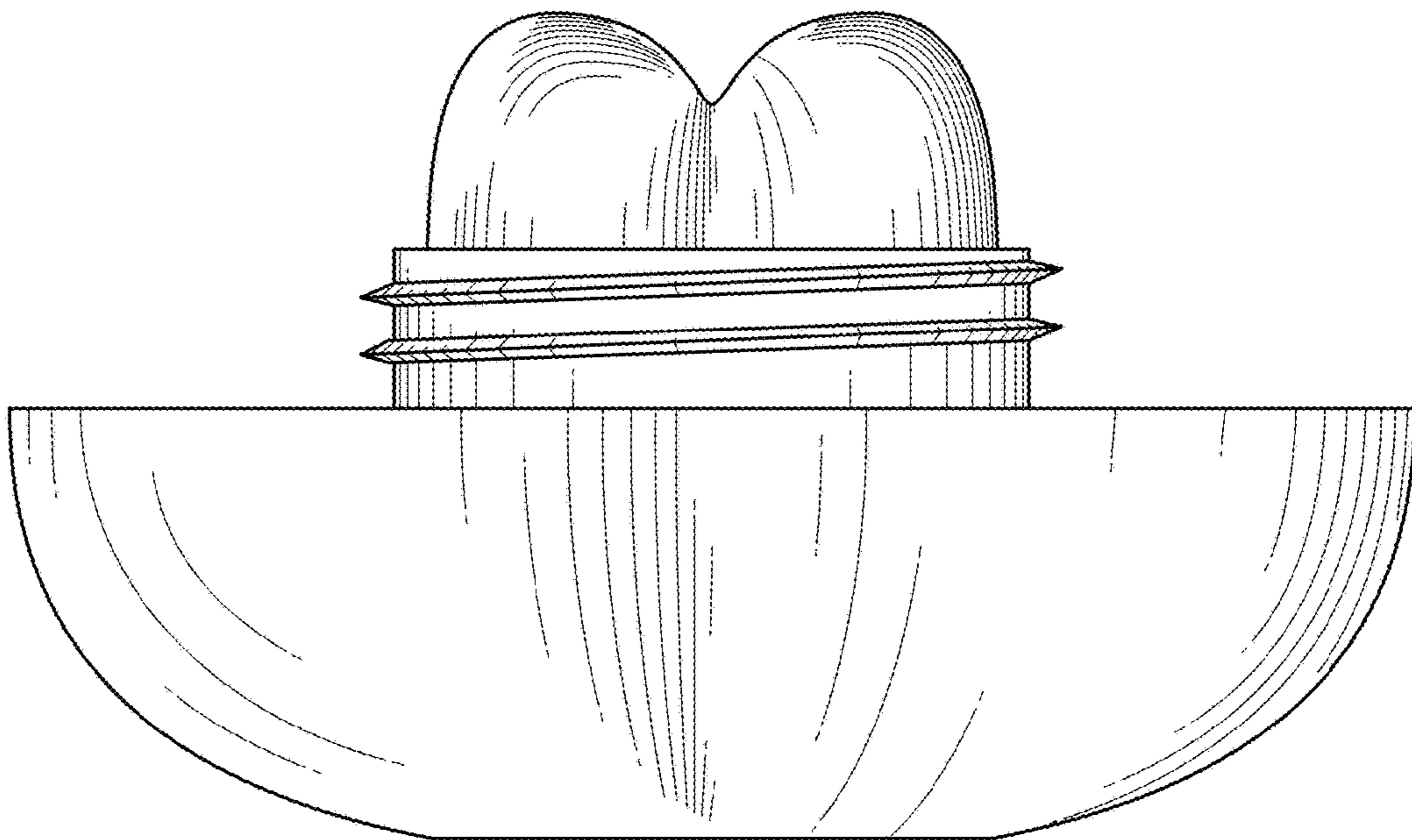


FIG. 2

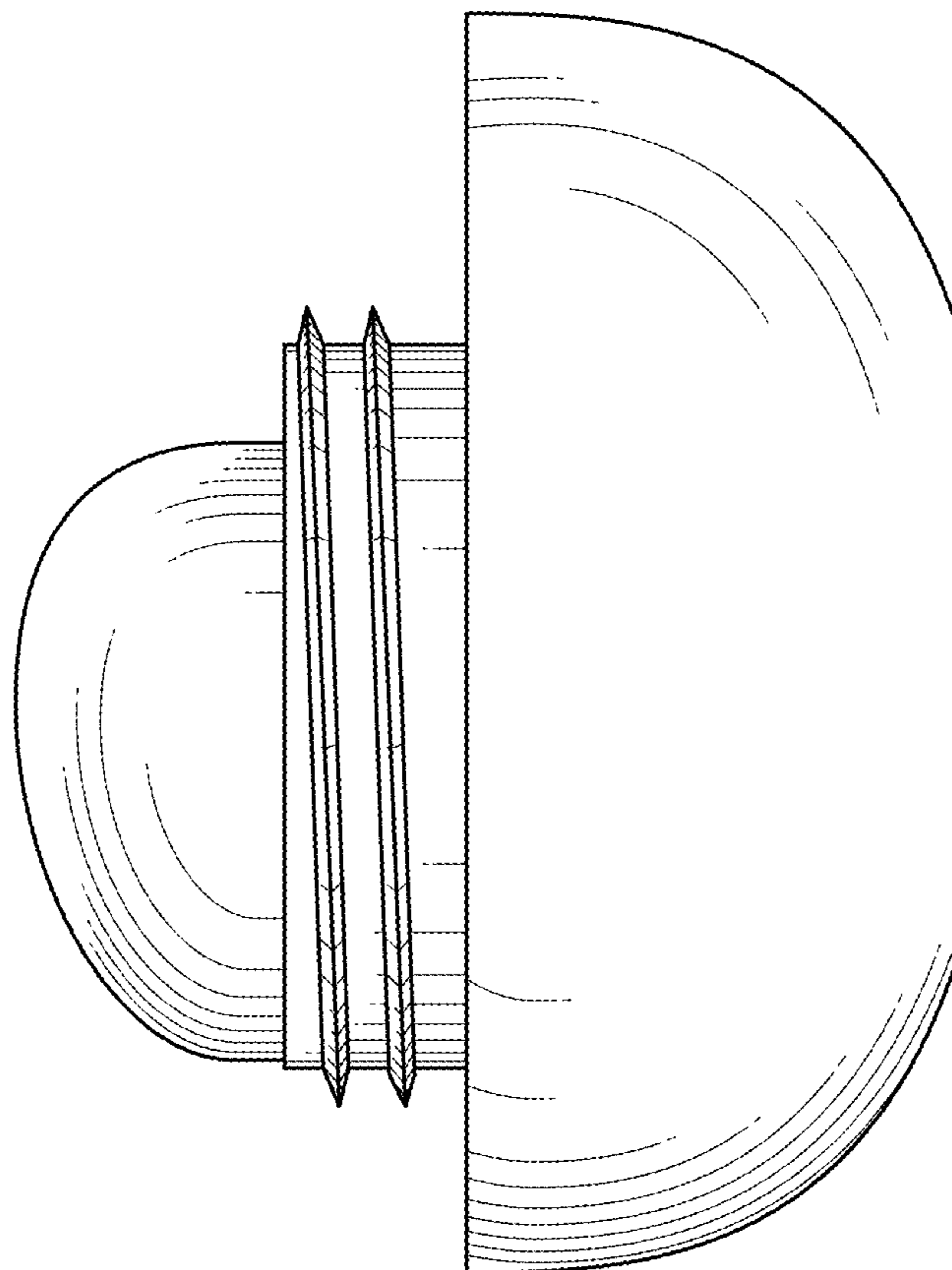


FIG. 3

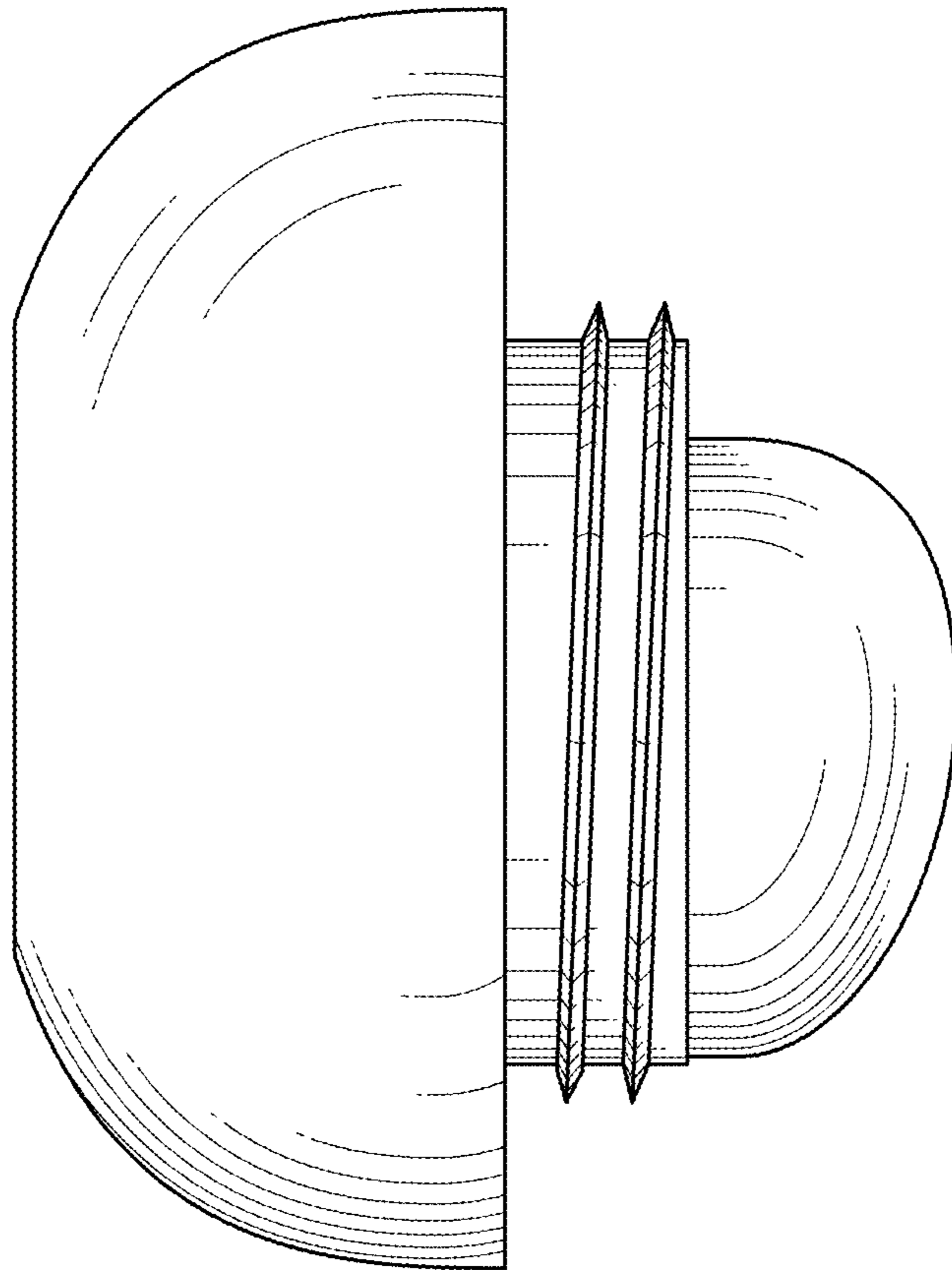


FIG. 4

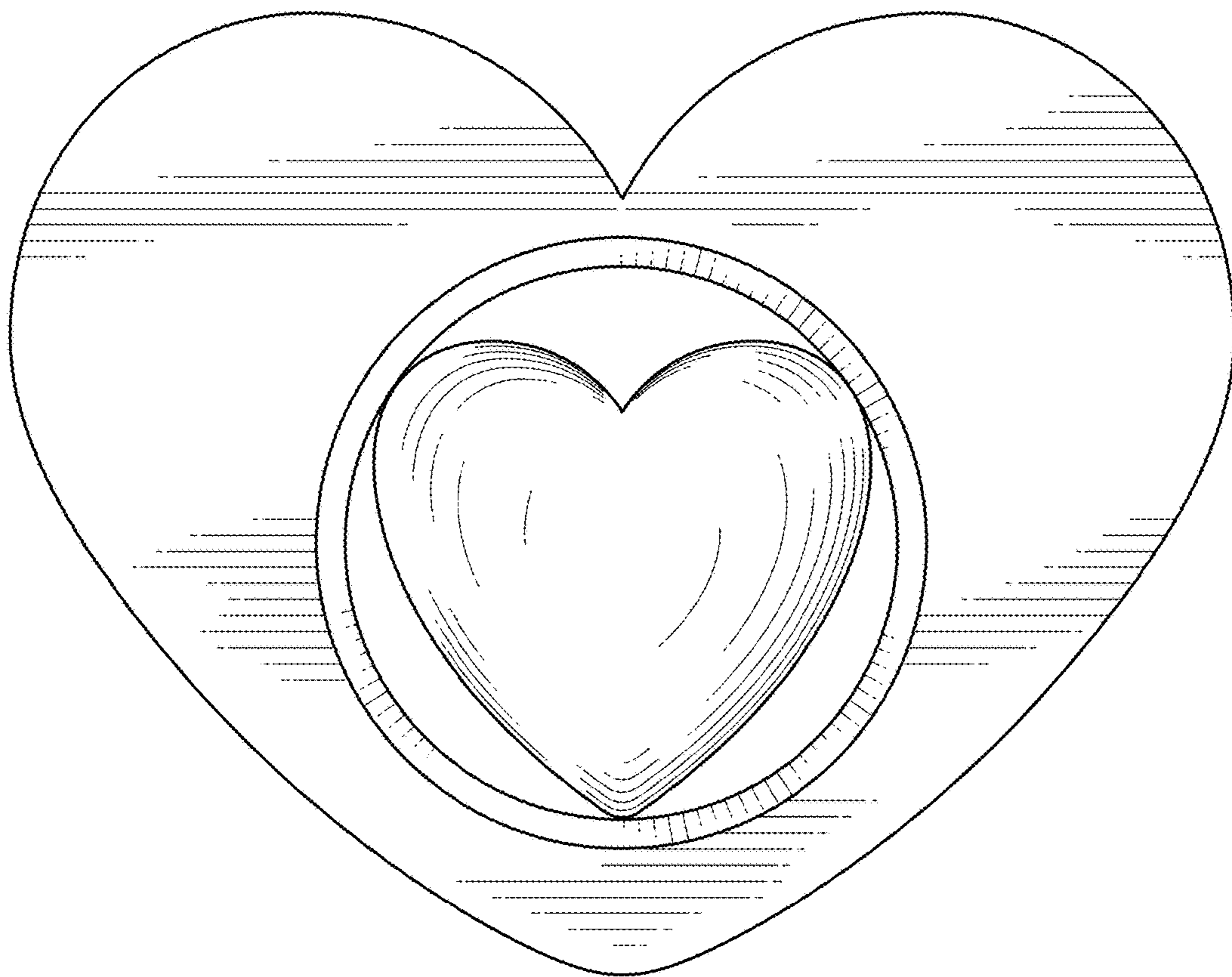


FIG. 5