



US00D808588S

(12) **United States Design Patent**  
**Kim**

(10) **Patent No.:** **US D808,588 S**  
(45) **Date of Patent:** **\*\* Jan. 23, 2018**

(54) **HAIR STRAIGHTENER**  
(71) Applicant: **Spectrum Brands, Inc.**, Middleton, WI (US)  
(72) Inventor: **Seung Il Kim**, Madison, WI (US)  
(73) Assignee: **Spectrum Brands, Inc.**, Middleton, WI (US)  
(\*\*) Term: **15 Years**

(21) Appl. No.: **29/549,789**  
(22) Filed: **Dec. 28, 2015**  
(51) **LOC (11) Cl.** ..... **28-03**  
(52) **U.S. Cl.**  
USPC ..... **D28/35**  
(58) **Field of Classification Search**  
USPC ..... D28/10, 35, 37, 38, 40  
CPC ..... A45D 1/00-1/28; A45D 2/00-2/40; A45D  
6/00-6/20; A45D 7/00; A45D 7/02; A45D  
2007/002  
See application file for complete search history.

(56) **References Cited**

U.S. PATENT DOCUMENTS

388,387	A *	8/1888	Allen	.....	A45D 2/2407
					132/249
532,066	A *	1/1895	Howard et al.	.....	A45D 2/10
					132/265
D103,254	S *	2/1937	Steichen	.....	D28/35
3,335,734	A *	8/1967	Kackloudis	.....	A45D 2/2407
					132/251
3,381,693	A *	5/1968	Stevens	.....	A45D 6/04
					132/123
D618,395	S *	6/2010	Mau	.....	D28/35
D629,156	S	12/2010	Kim		
D632,428	S *	2/2011	Kim	.....	D28/35
D672,088	S	12/2012	Julemont		
D682,468	S *	5/2013	Kim	.....	D28/35

D716,494	S	10/2014	Black		
D716,497	S *	10/2014	Renault	.....	D28/35
D719,296	S *	12/2014	Brady	.....	D28/35
9,420,861	B1 *	8/2016	Israel	.....	A45D 2/001
D798,503	S *	9/2017	Ceva	.....	D28/35
2015/0216280	A1 *	8/2015	Sayers	.....	A45D 1/04
					132/269
2015/0313339	A1 *	11/2015	Moore	.....	A45D 1/04
					132/224
2016/0255936	A1 *	9/2016	deGroot	.....	A45D 2/001
2017/0127784	A1 *	5/2017	Rees-Jones	.....	A45D 1/06

**FOREIGN PATENT DOCUMENTS**

CN	302012800	*	7/2012
CN	302234854		12/2012
CN	302257635		12/2012
CN	302302001		1/2013

(Continued)

*Primary Examiner* — Catherine A Tuttle  
(74) *Attorney, Agent, or Firm* — Banner & Witcoff, Ltd.

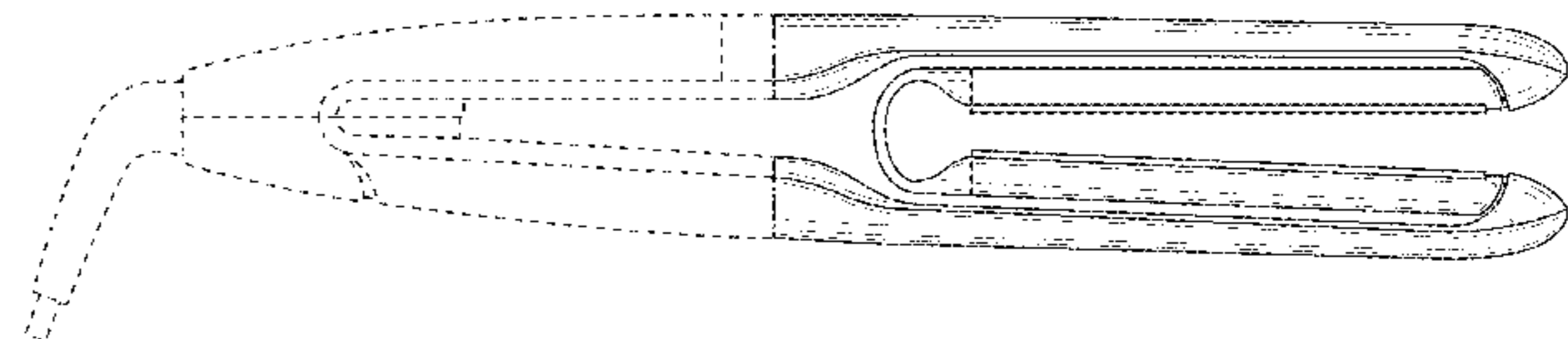
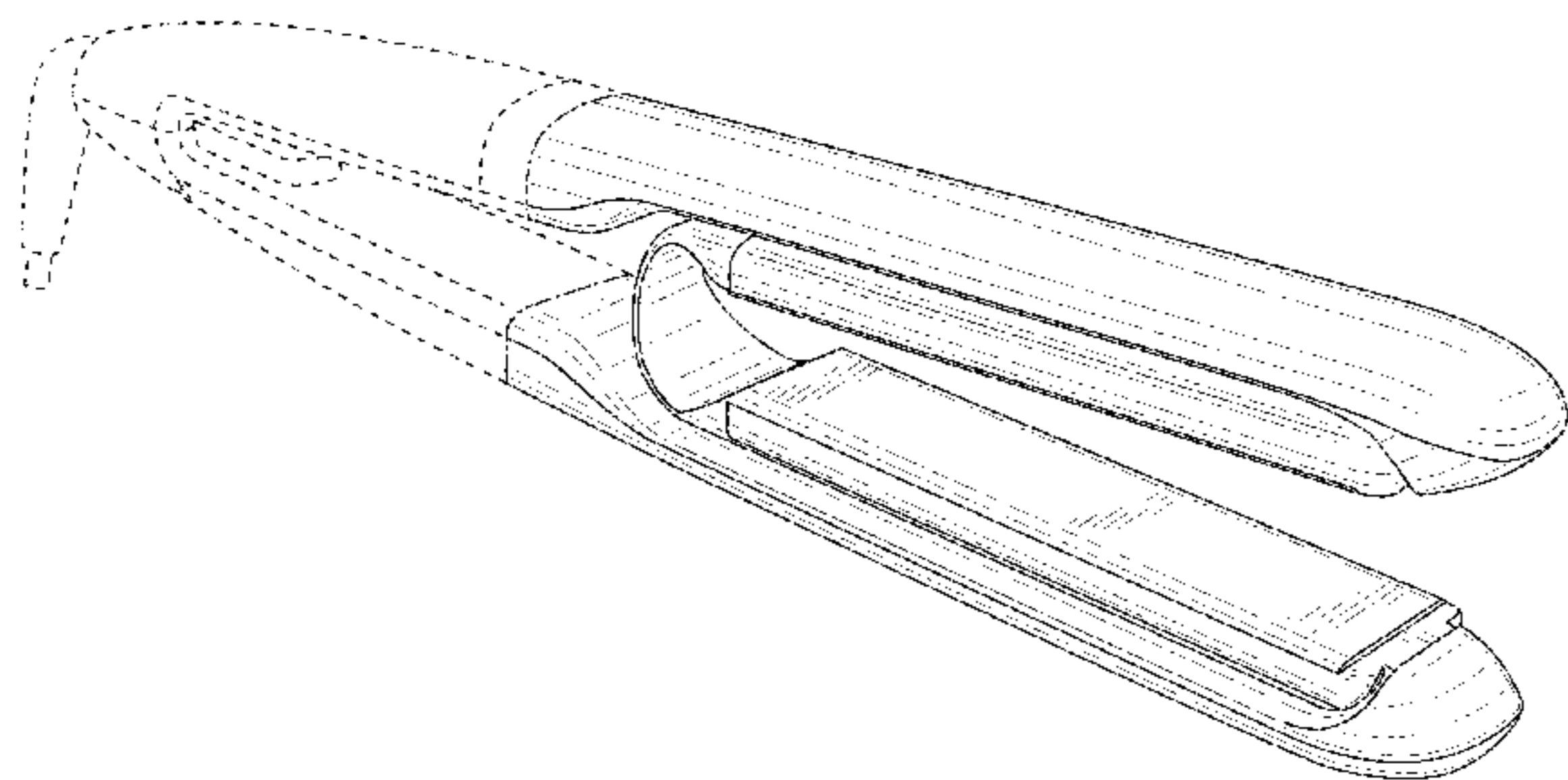
(57) **CLAIM**

The ornamental design for a hair straightener, as shown and described.

**DESCRIPTION**

FIG. 1 is a front perspective view of a hair straightener showing my new design;  
FIG. 2 is a left side view thereof;  
FIG. 3 is a right side view thereof;  
FIG. 4 is a top view thereof;  
FIG. 5 is a bottom view thereof;  
FIG. 6 is a front view thereof; and,  
FIG. 7 is a rear view thereof.  
The uneven length broken lines adjacent to the shaded region form an unclaimed boundary of the design. The even length broken line showing of the remainder of the hair straightener represent unclaimed subject matter.

**1 Claim, 7 Drawing Sheets**



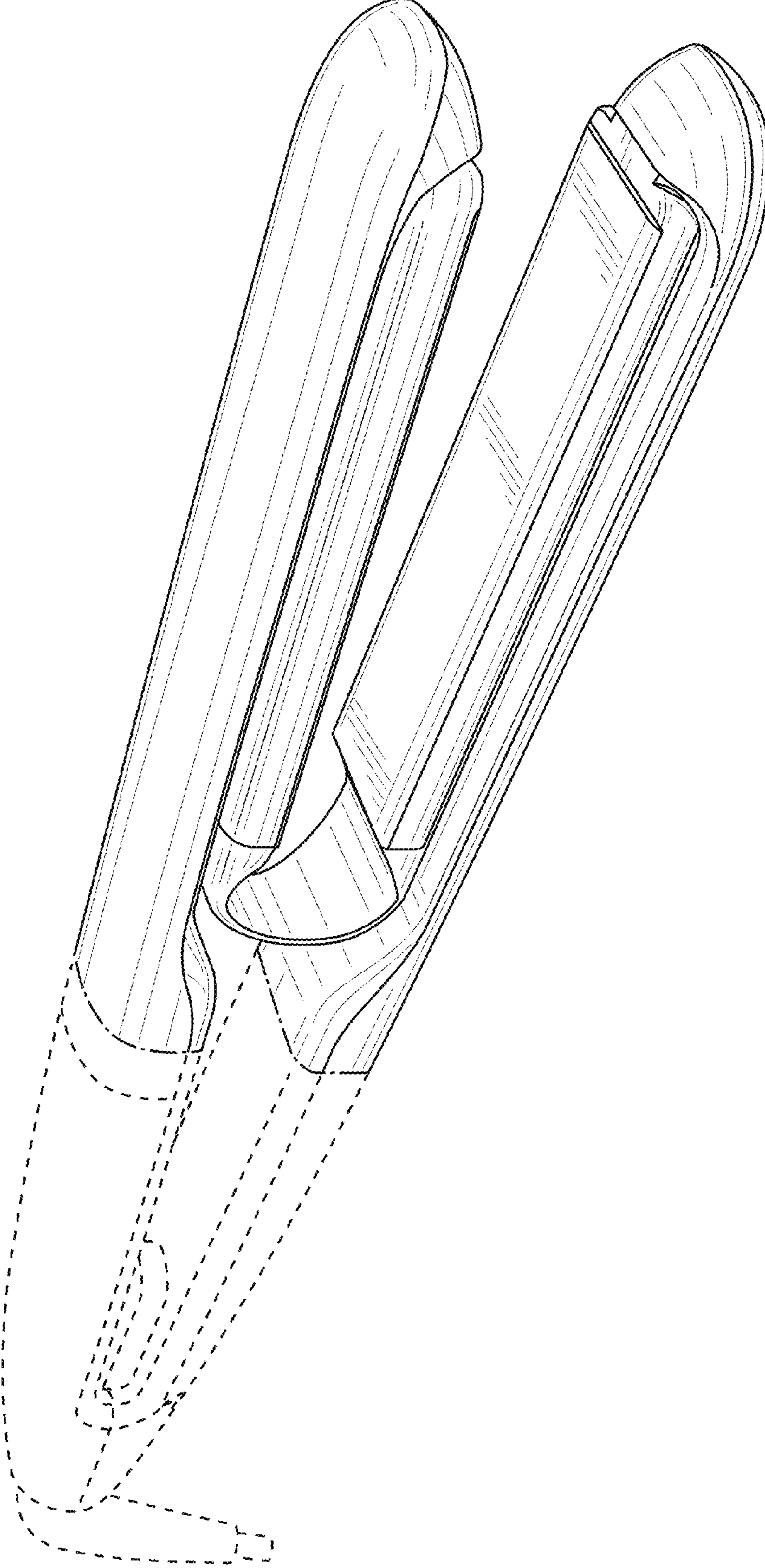
(56)

**References Cited**

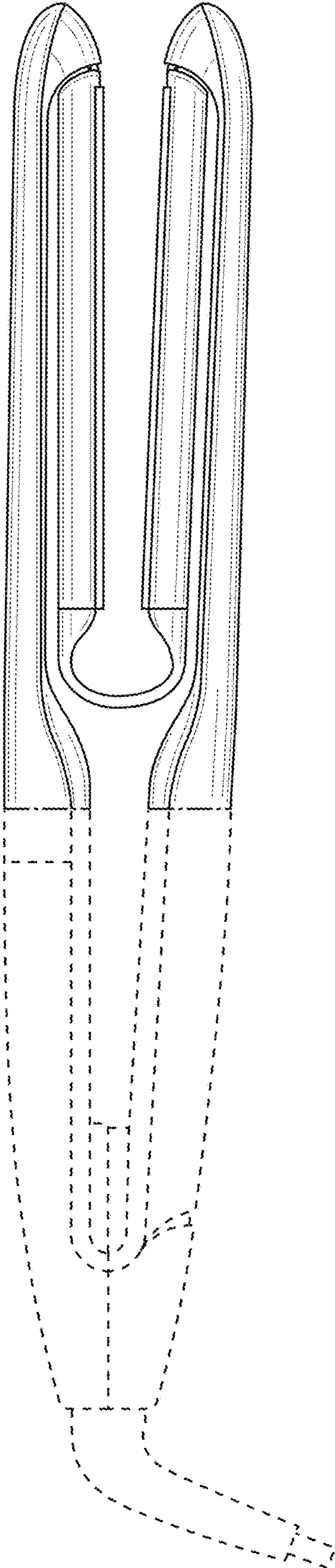
FOREIGN PATENT DOCUMENTS

CN	302292501	*	2/2013
CN	302817458	*	5/2014
CN	D091038-001	*	9/2016
EM	002162016-0001		1/2013
GB	4028650		3/2013
KR	3004225560000		8/2006
KR	3004993670000		7/2008

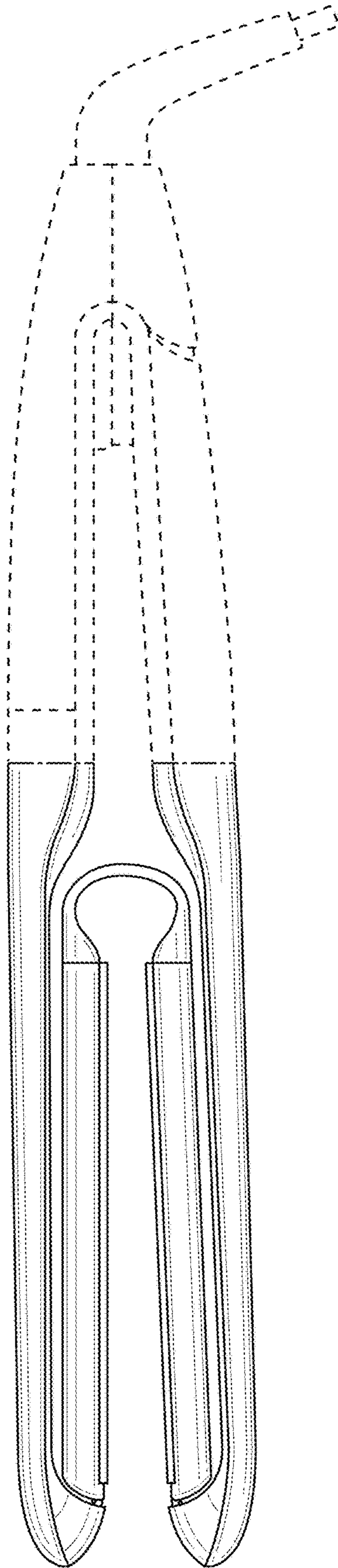
\* cited by examiner



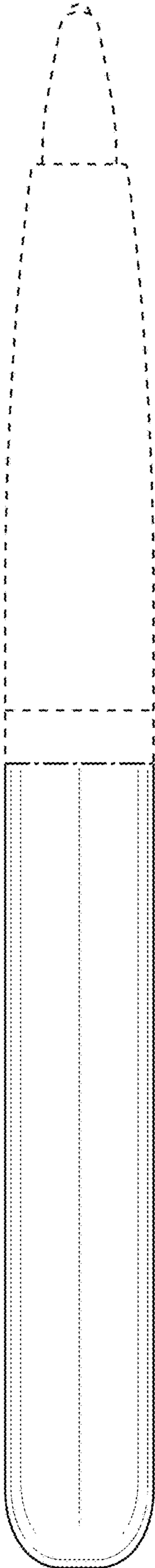
**FIG. 1**



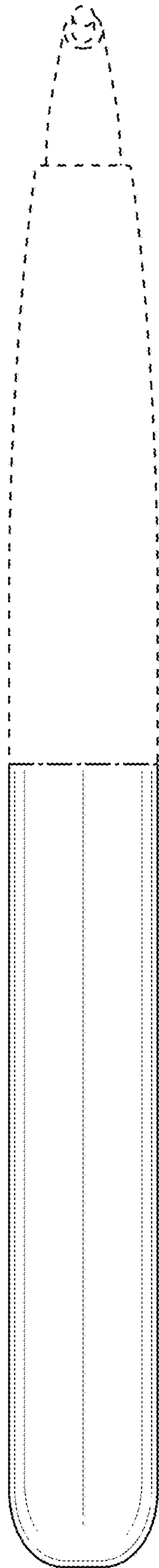
**FIG. 2**



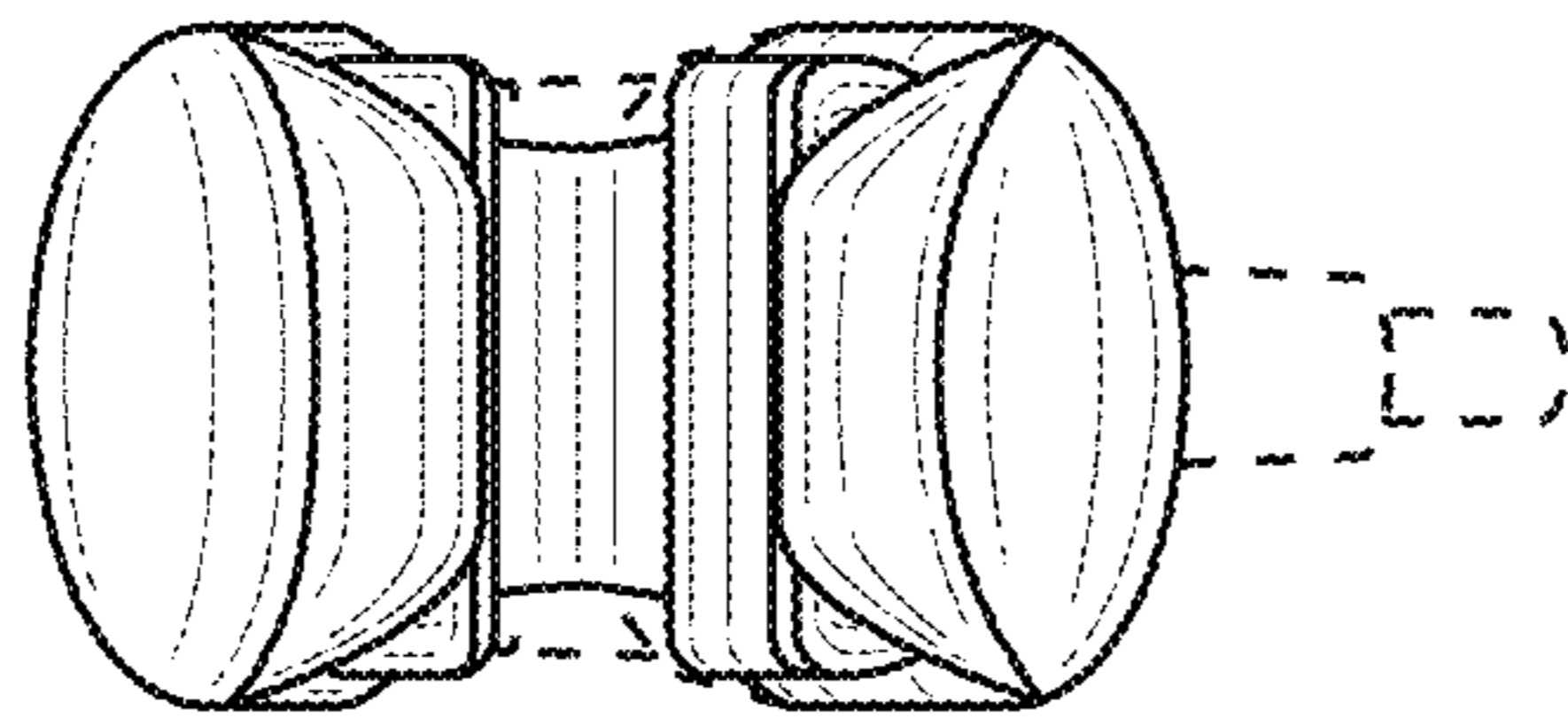
**FIG. 3**



**FIG. 4**

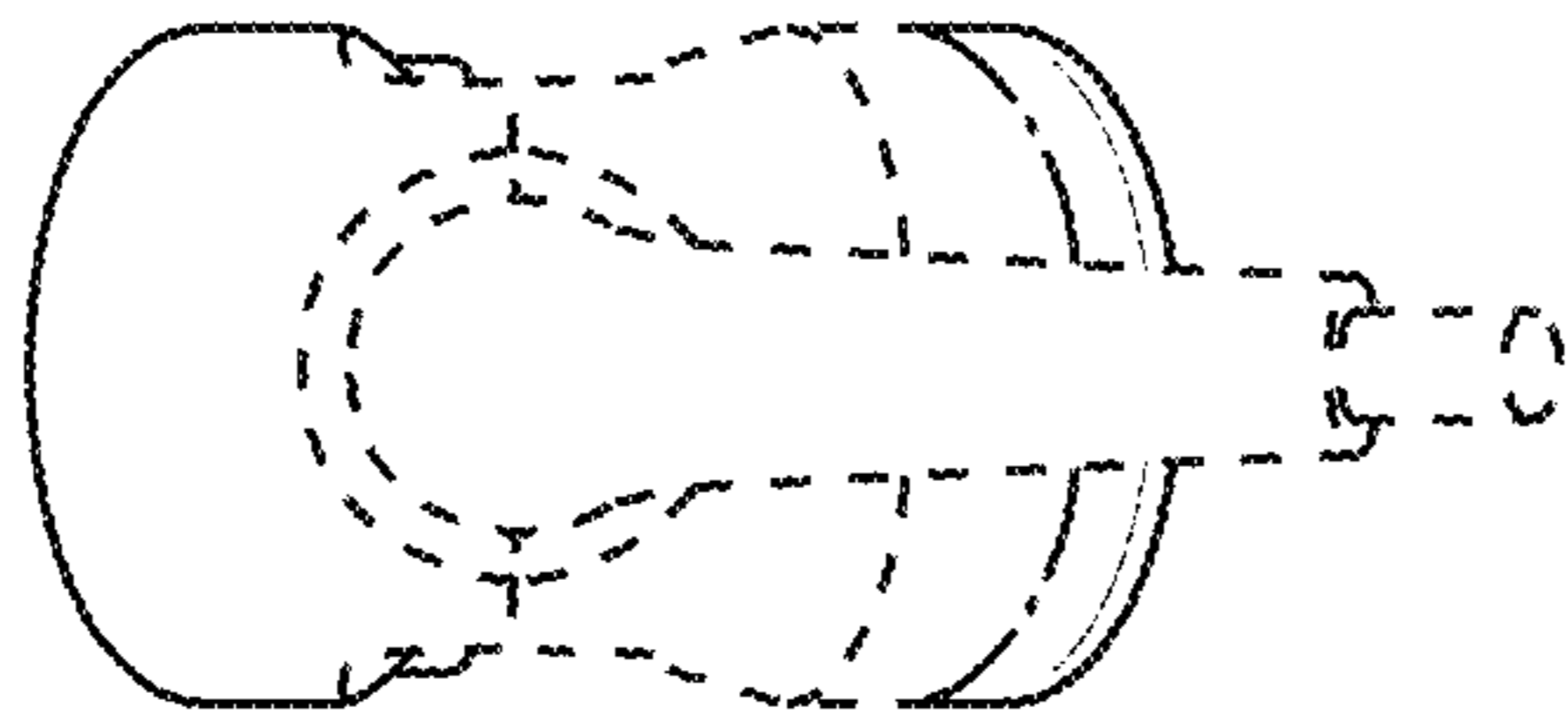


**FIG. 5**



**FIG. 6**





**FIG. 7**