



US00D808587S

(12) **United States Design Patent**  
**Carello et al.**

(10) **Patent No.:** **US D808,587 S**

(45) **Date of Patent:** **\*\* Jan. 23, 2018**

(54) **DIFFUSER ATTACHMENT**

(71) Applicant: **CALISTA TOOLS, LLC**, West Chester, PA (US)

(72) Inventors: **Mark Carello**, Chadds Ford, PA (US);  
**Maria McCool**, West Chester, PA (US)

(73) Assignee: **CALISTA TOOLS, LLC**, West Chester, PA (US)

(\*\*) Term: **15 Years**

(21) Appl. No.: **29/539,521**

(22) Filed: **Sep. 15, 2015**

(51) **LOC (11) Cl.** ..... **28-03**

(52) **U.S. Cl.**  
USPC ..... **D28/18**

(58) **Field of Classification Search**  
USPC ..... D28/12-19, 20-21, 28-31  
CPC ..... A45D 20/12; A45D 20/00  
See application file for complete search history.

(56) **References Cited**

**U.S. PATENT DOCUMENTS**

D199,046 S \* 9/1964 Felske ..... D12/194  
5,161,317 A \* 11/1992 McDougall ..... A45D 20/124  
239/383  
5,287,635 A \* 2/1994 Chan ..... A45D 20/122  
34/97

D393,926 S \* 4/1998 Kling ..... D28/18  
D411,646 S \* 6/1999 Muller ..... D28/18  
2004/0083620 A1 \* 5/2004 McCambridge ..... A45D 20/12  
34/96  
2009/0282690 A1 \* 11/2009 Lee ..... A45D 20/12  
34/97  
2013/0104415 A1 \* 5/2013 Han ..... A45D 20/124  
34/283

\* cited by examiner

*Primary Examiner* — Cathron C Brooks

*Assistant Examiner* — Sharon S Oum

(74) *Attorney, Agent, or Firm* — Buchanan Ingersoll & Rooney PC

(57) **CLAIM**

The ornamental design for a diffuser attachment, as shown and described.

**DESCRIPTION**

FIG. 1 is a perspective view of a diffuser attachment showing our new design.

FIG. 2 is a right side elevational view thereof.

FIG. 3 is a left side elevational view thereof.

FIG. 4 is a top plan view thereof.

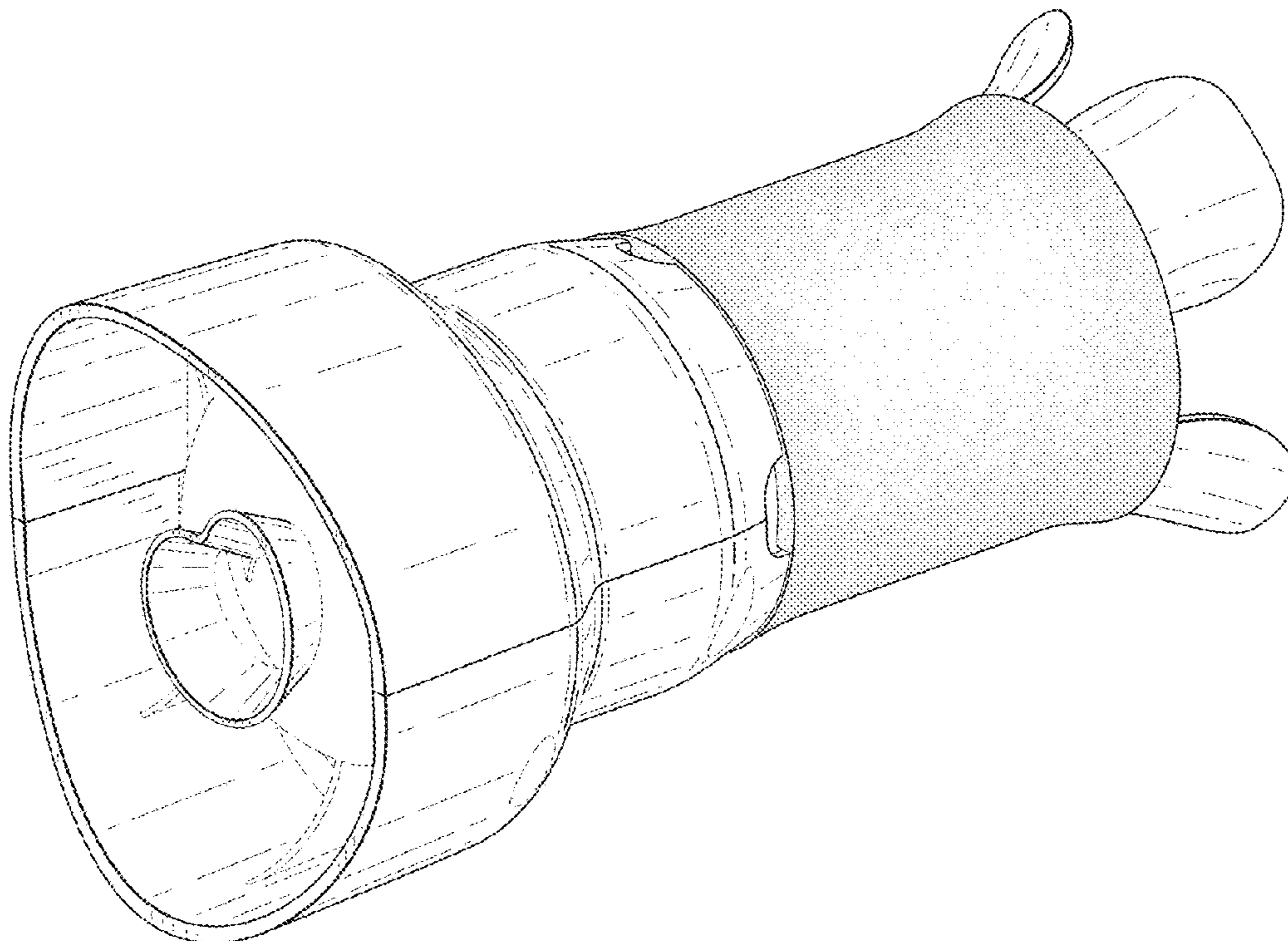
FIG. 5 is a bottom plan view thereof.

FIG. 6 is a left side elevational view thereof; and,

FIG. 7 is a right side elevational view thereof.

The broken line disclosure depicts environmental subject matter that forms no part of the claimed design.

**1 Claim, 6 Drawing Sheets**



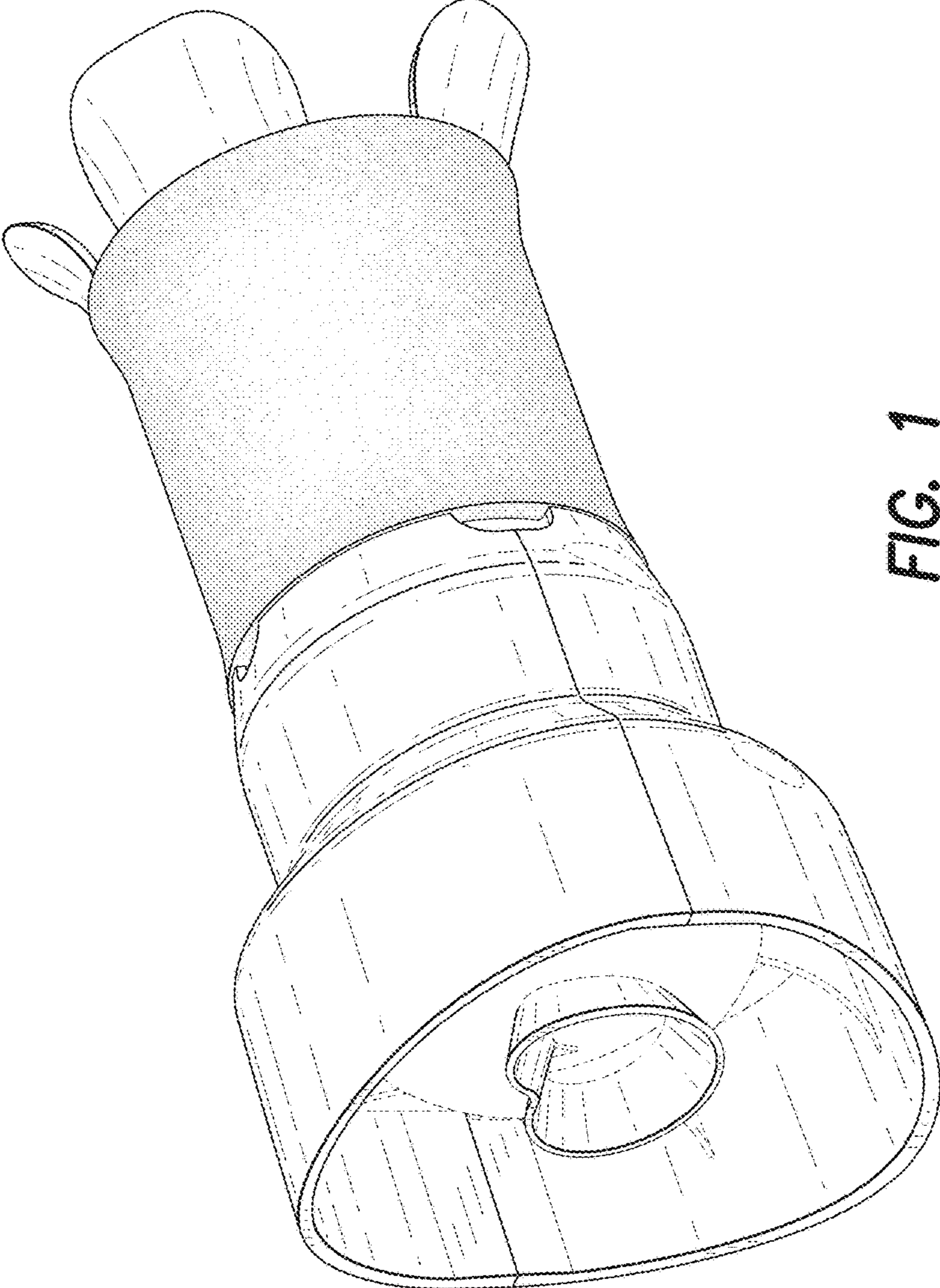


FIG. 1

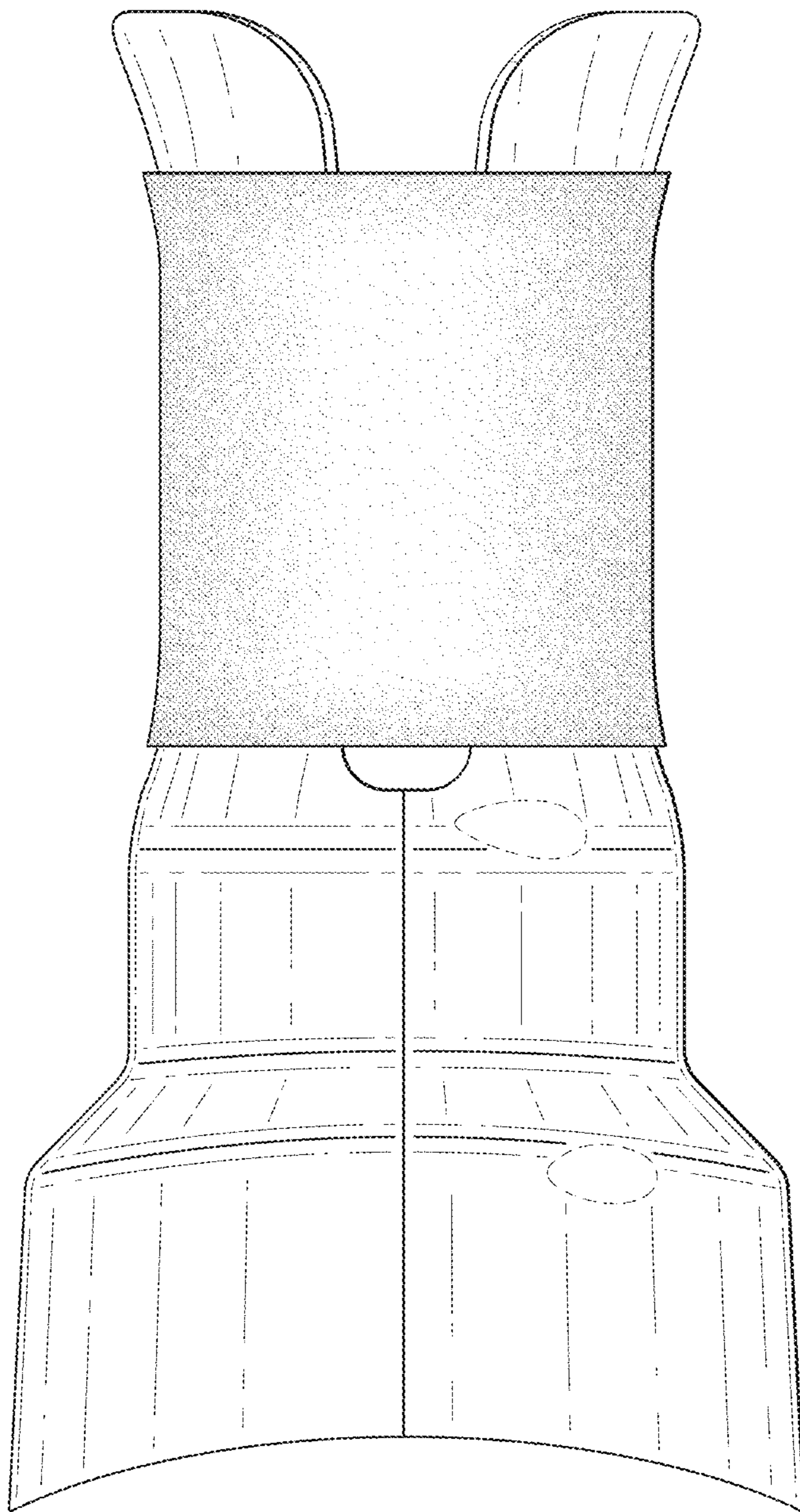


FIG. 2

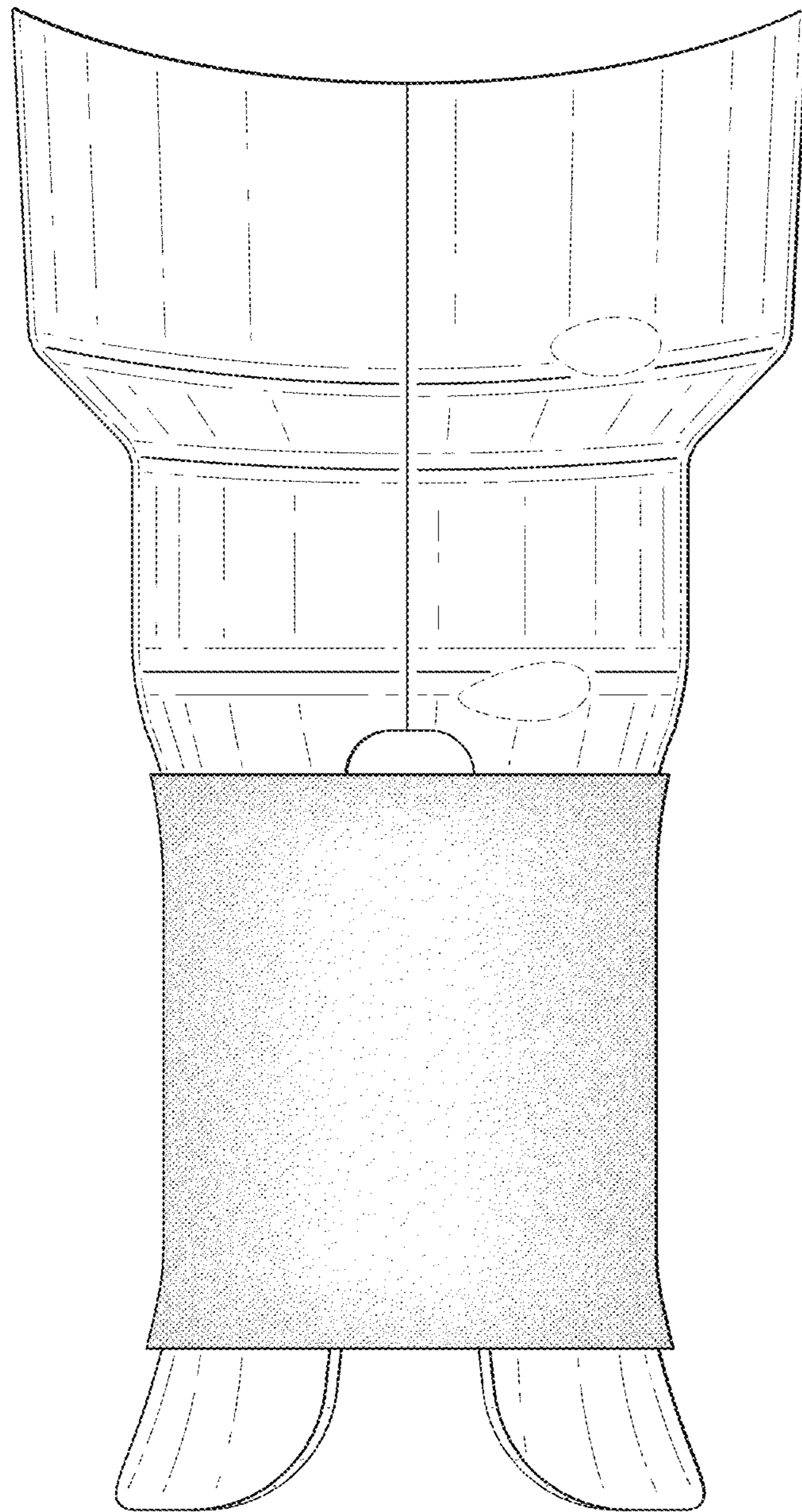


FIG. 3

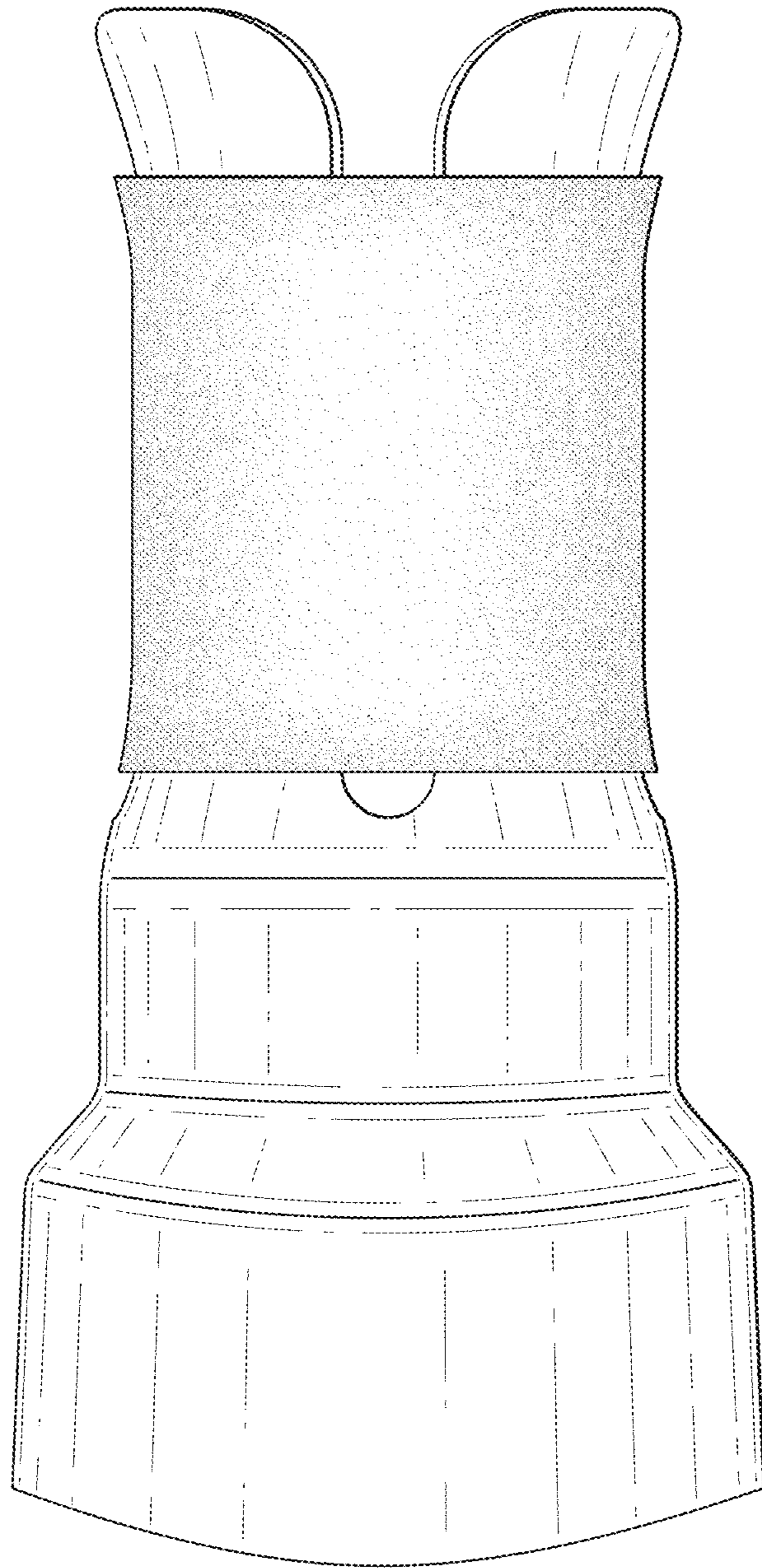


FIG. 4

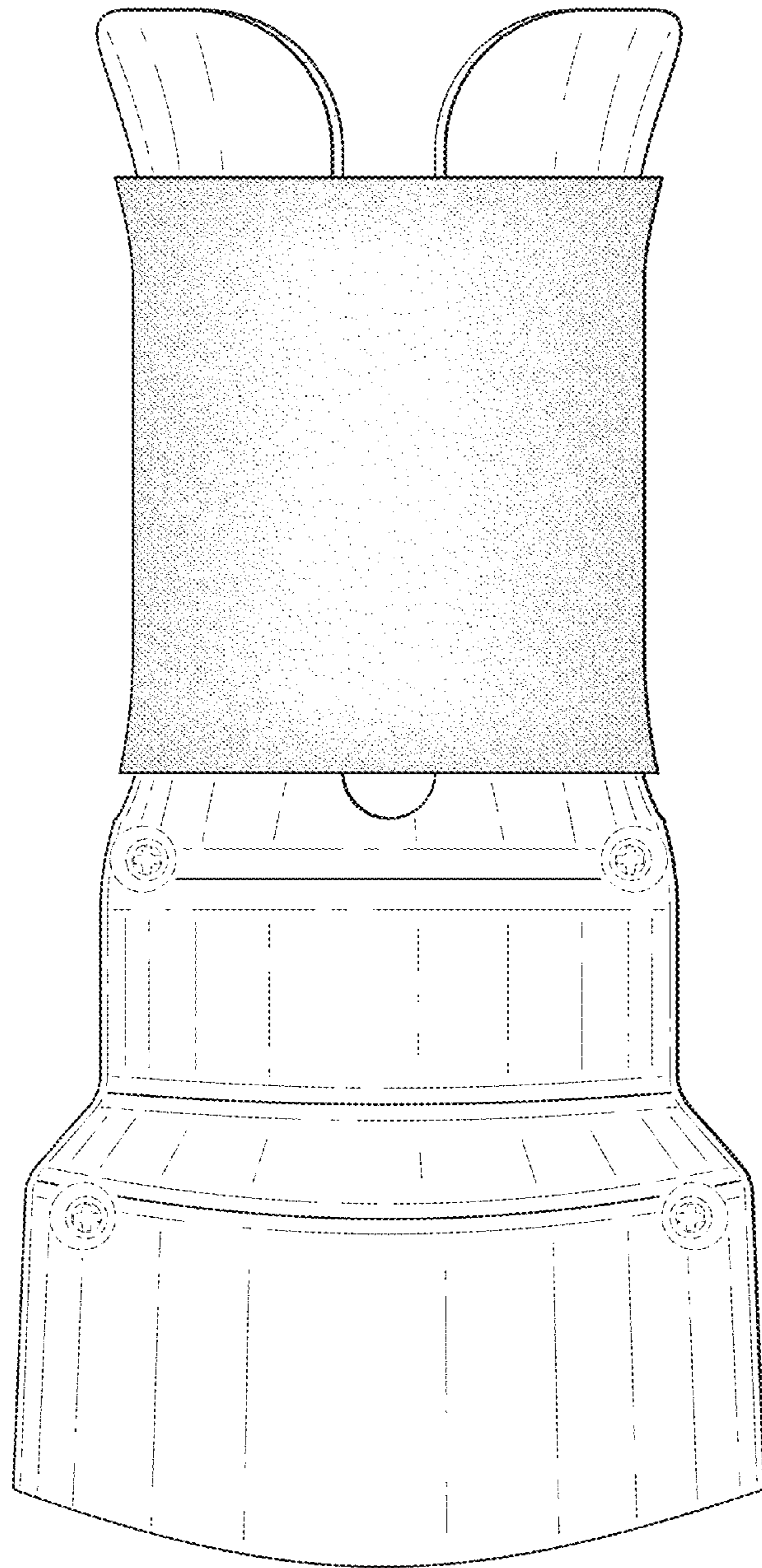


FIG. 5

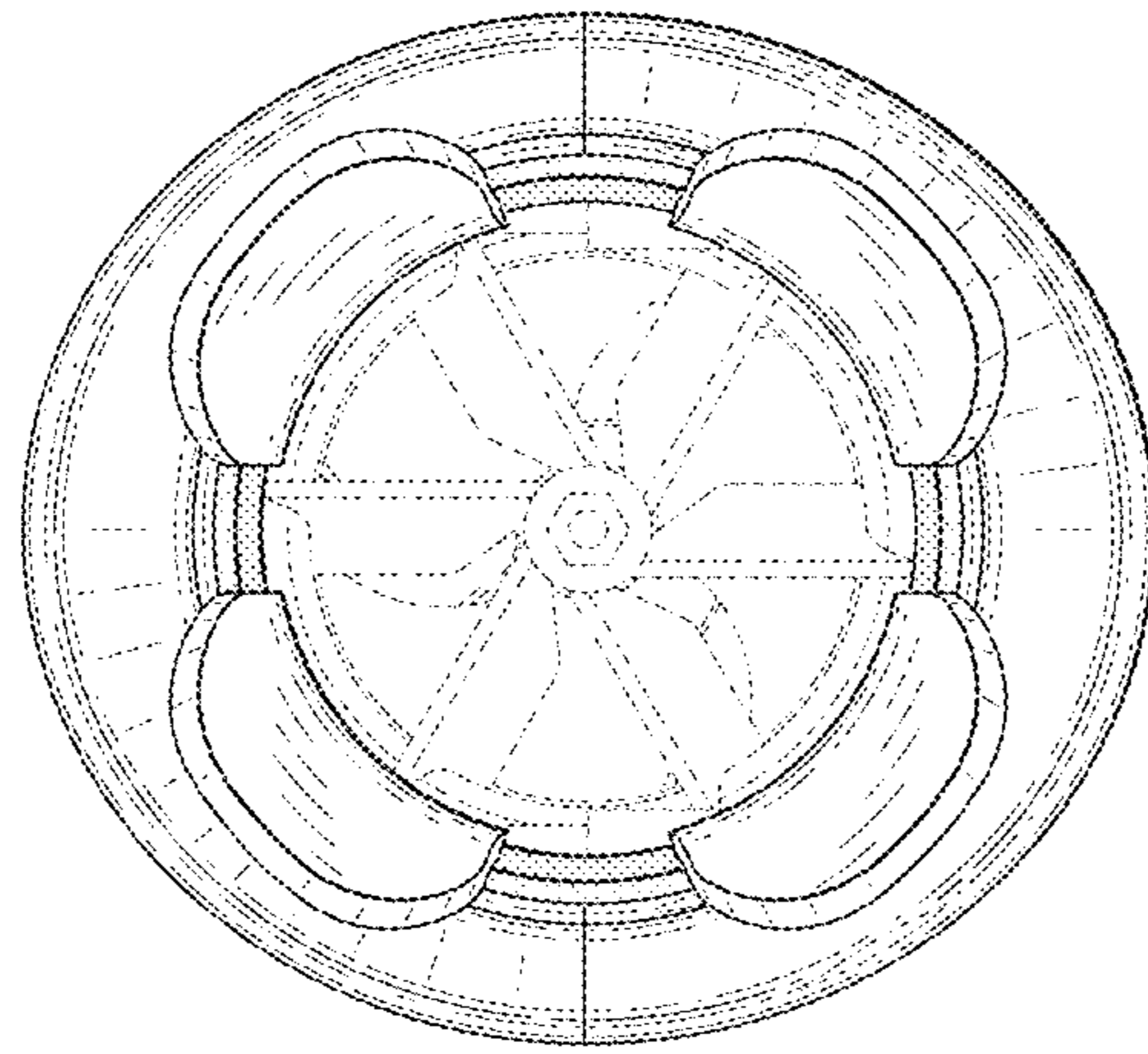


FIG. 7

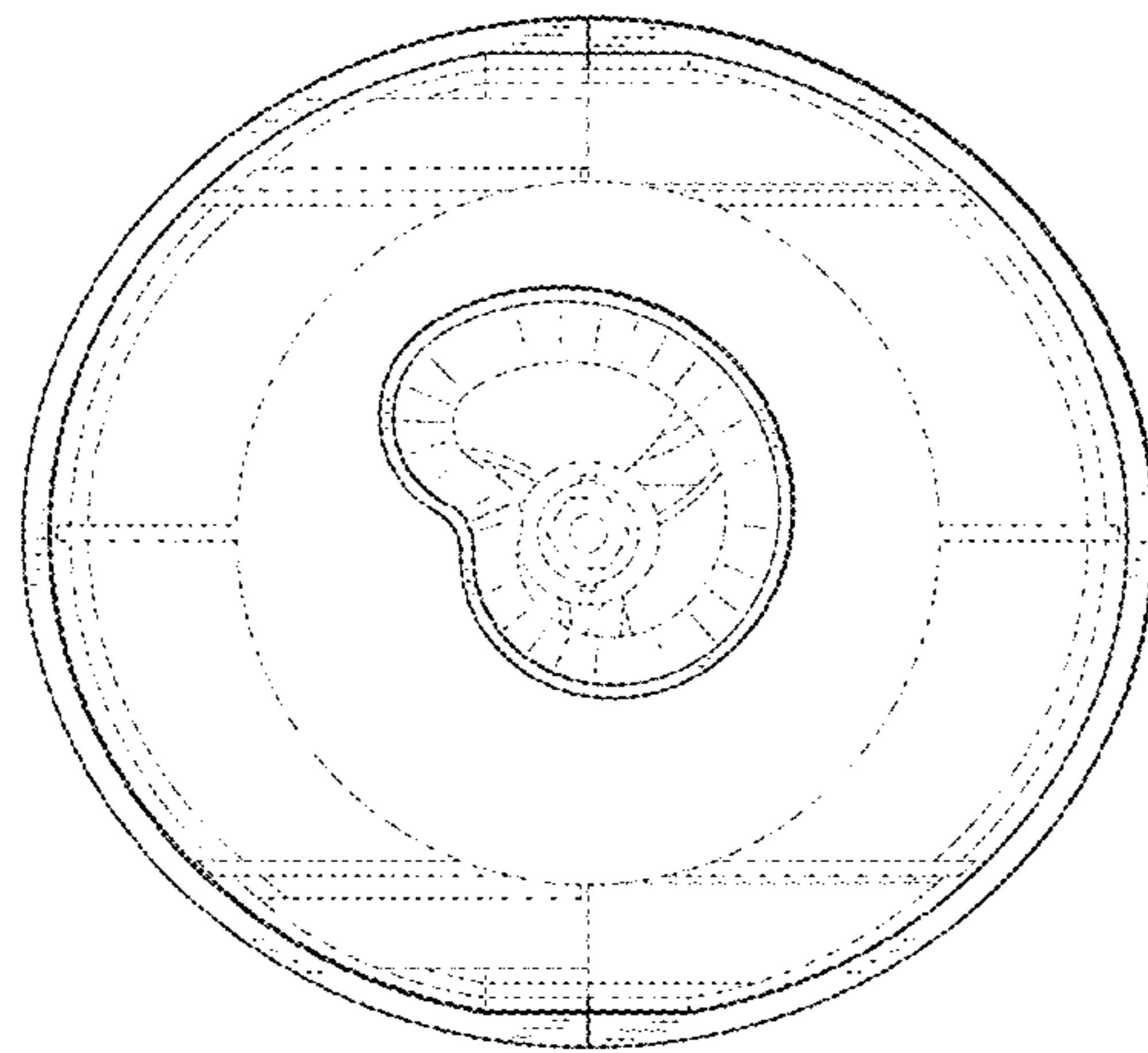


FIG. 6