



US00D808586S

(12) **United States Design Patent** (10) **Patent No.:** **US D808,586 S**
Dietvorst et al. (45) **Date of Patent:** **** *Jan. 23, 2018**

(54) **CAPSULE CONTAINING WASHING PRODUCTS**

(71) Applicant: **Reckitt Benckiser Finish B.V.**,
Hoofddorp (NL)

(72) Inventors: **Taco Dietvorst**, Eindhoven (NL); **Jordi Salvador**, Granollers (ES); **Caroline Rigobert**, Heidelberg (DE); **Axel Halbherr**, Heidelberg (DE); **Izaskun Gutierrez**, Heidelberg (DE)

(73) Assignee: **RECKITT BENCKISER FINISH B.V.**, hoofddorp (NL)

(*) Notice: This patent is subject to a terminal disclaimer.

(**) Term: **15 Years**

(21) Appl. No.: **29/578,707**

(22) Filed: **Sep. 23, 2016**

(30) **Foreign Application Priority Data**

Mar. 24, 2016 (EM) 003042696-0042

(51) **LOC (11) Cl.** **28-02**

(52) **U.S. Cl.**
USPC **D28/8.1**

(58) **Field of Classification Search**
USPC D28/8.1-8.2; D9/424-426, 428, D9/430-432, 702, 707, 710, 737, 759
CPC C11D 17/04; C11D 17/041-17/042; C11D 17/043-17/047; C11D 17/0047-17/0091; C11D 17/0095; C11D 17/00-17/0021
See application file for complete search history.

D648,064 S	11/2011	Pflug et al.	
D649,710 S	11/2011	Mehdizadeh	
D656,668 S	3/2012	Stone et al.	
D659,902 S	5/2012	Mehdizadeh	
D663,894 S	7/2012	Davanzo et al.	
D679,863 S	4/2013	Sunder	
D689,241 S	9/2013	Gerhards	
D691,326 S	10/2013	Gerhards	
D695,451 S	12/2013	Gerhards	
8,669,219 B2 *	3/2014	Wiedemann B65D 65/46 510/293
D714,161 S	9/2014	Crawford et al.	
D728,157 S	4/2015	Sarb	
D732,735 S	6/2015	Nixon et al.	
D733,962 S	7/2015	Sunder	
D735,407 S	7/2015	Gerhards	
D735,408 S	7/2015	Meier	
D735,409 S	7/2015	Sunder	
D744,162 S	11/2015	Sunder	
D748,330 S	1/2016	Gerhards	
D777,373 S *	1/2017	Sunder D28/8.1
D783,203 S *	4/2017	Johnson D28/8.1
D785,865 S *	5/2017	Rigobert D28/8.1
D786,501 S *	5/2017	Rigobert D28/8.1
D786,502 S *	5/2017	Rigobert D28/8.1
D786,503 S *	5/2017	Rigobert D28/8.1
D786,504 S *	5/2017	Rigobert D28/8.1
D786,505 S *	5/2017	Rigobert D28/8.1
D787,117 S *	5/2017	Rigobert D28/8.1
D787,118 S *	5/2017	Rigobert D28/8.1
D787,119 S *	5/2017	Rigobert D28/8.1
D787,120 S *	5/2017	Rigobert D28/8.1
D787,121 S *	5/2017	Rigobert D28/8.1
D789,602 S *	6/2017	Rigobert D28/8.1
D789,603 S *	6/2017	Rigobert D28/8.1
D791,404 S *	7/2017	Rigobert D28/8.1
D791,405 S *	7/2017	Rigobert D28/8.1
2005/0263428 A1	12/2005	Duffield et al.	
2010/0105596 A1	4/2010	Wiedemann et al.	
2016/0130538 A1 *	5/2016	Cooley B65D 81/3261 8/137
2017/0067000 A1 *	3/2017	Brandt-Sanz B65D 65/46
2017/0067001 A1 *	3/2017	Souter B65D 65/46

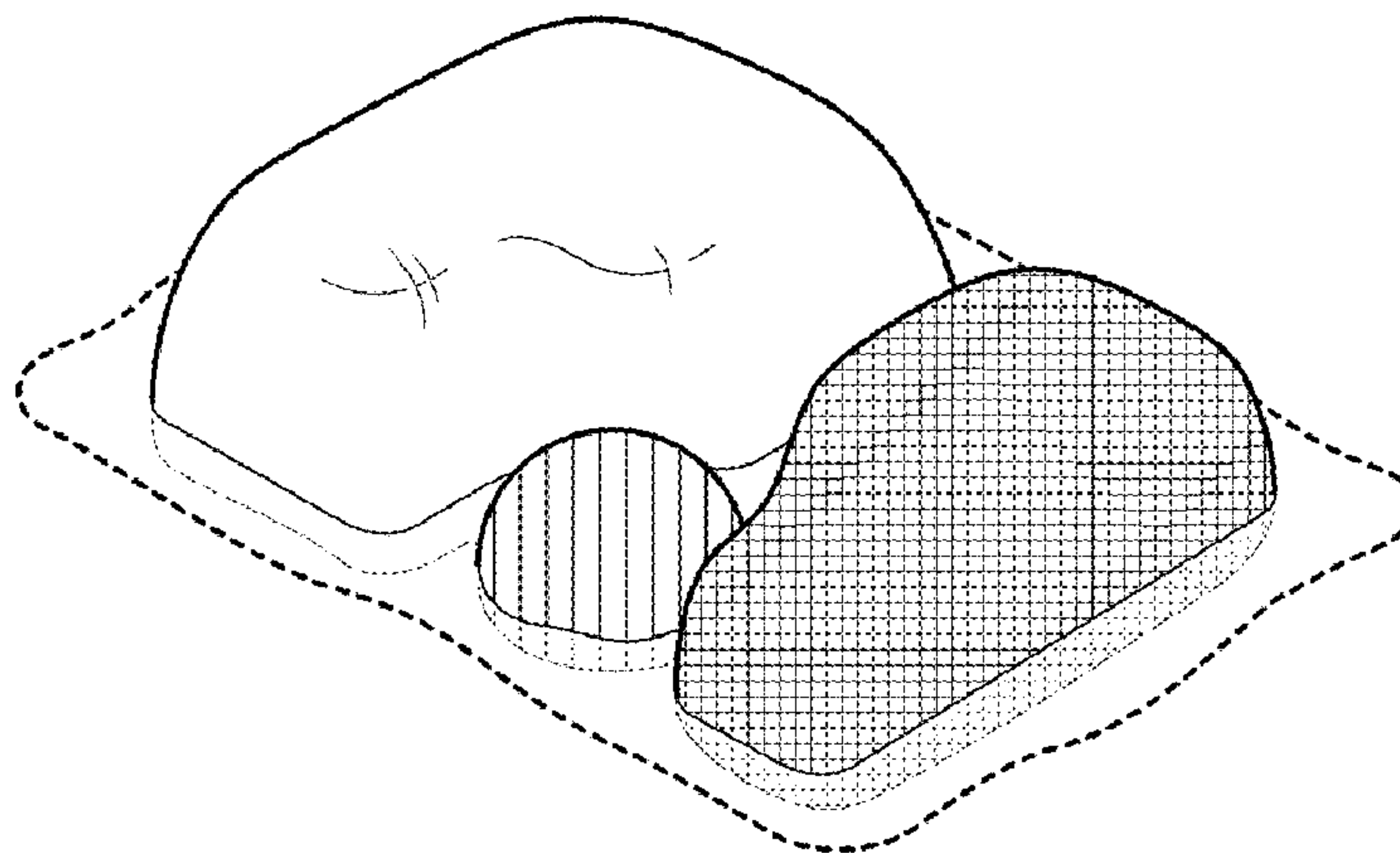
FOREIGN PATENT DOCUMENTS

(56) **References Cited**

U.S. PATENT DOCUMENTS

D565,244 S	3/2008	Schwartz et al.
D599,056 S	8/2009	Schwartz et al.
D608,049 S	1/2010	Schwartz et al.
D621,718 S	8/2010	Mehdizadeh

DE	49907674-0005	9/2014
DE	49907674-0009	9/2014
EM	000019070-0001	12/2005
EM	000019070-0002	12/2005
EM	000019070-0003	12/2005
EM	000019070-0004	12/2005
EM	000019070-0005	12/2005



US D808,586 S

Page 2

EM	000019070-0006	12/2005	TR	DM-082599-0023	4/2013
EM	000019070-0007	12/2005	WO	20010036290 A1	5/2001
EM	000019070-0008	12/2005	WO	20080087417 A1	7/2008
EM	000050380-0001	12/2005	WO	DM-082599-0001	4/2013
EM	000050380-0004	12/2005	WO	DM-082599-0002	4/2013
EM	000675855-0001	4/2007	WO	DM-082599-0004	4/2013
EM	000675855-0002	4/2007	WO	DM-082599-0006	4/2013
EM	002063214-0001	6/2012	WO	DM-082599-0007	4/2013
EM	002118075-0001	10/2012	WO	DM-082599-0008	4/2013
EM	002118075-0002	10/2012	WO	DM-082599-0009	4/2013
EM	002118075-0003	10/2012	WO	DM-082599-0010	4/2013
EM	001859505-0001	11/2012	WO	DM-082599-0011	4/2013
EM	001859505-0002	11/2012	WO	DM-082599-0013	4/2013
EM	001859505-0003	11/2012	WO	DM-082599-0014	4/2013
EM	001859505-0004	11/2012	WO	DM-082599-0016	4/2013
EM	001859505-0005	11/2012	WO	DM-082599-0017	4/2013
EM	001859505-0006	11/2012	WO	DM-082599-0018	4/2013
EM	001859505-0007	11/2012	WO	DM-082599-0019	4/2013
EM	001859505-0008	11/2012	WO	DM-082599-0021	4/2013
EM	001859505-0009	11/2012	WO	DM-082599-0024	4/2013
EM	001859505-0010	11/2012	WO	DM-082599-0025	4/2013
EM	001378921-0001	8/2013	WO	DM-082599-0026	4/2013
EM	001378921-0002	8/2013	WO	DM-082599-0027	4/2013
EM	001378921-0003	8/2013	WO	DM-082599-0028	4/2013
EM	001382477-0001	9/2013	WO	DM-082599-0029	4/2013
EM	001382477-0002	9/2013	WO	DM-083857-0001	6/2014
EM	001913831-0001	10/2013	WO	DM-083857-0002	6/2014
EM	001913831-0002	10/2013	WO	DM-083857-0003	6/2014
EM	001913831-0003	10/2013	WO	DM-085740-0001	2/2015
EM	001913831-0004	10/2013			
EM	001913831-0005	10/2013			
EM	001913831-0006	10/2013			
EM	001913831-0007	10/2013			
EM	001913831-0008	10/2013			
EM	001386155-0001	11/2013			
EM	001913419-0001	11/2013			
EM	001913419-0002	11/2013			
EM	001913419-0003	11/2013			
EM	001913419-0004	11/2013			
EM	002390658-0001	1/2014			
EM	002390658-0002	1/2014			
EM	002390658-0003	1/2014			
EM	002390658-0004	1/2014			
EM	002390658-0005	1/2014			
EM	002390658-0006	1/2014			
EM	002390658-0007	1/2014			
EM	002390658-0008	1/2014			
EM	002453282-0001	4/2014			
EM	002453282-0002	4/2014			
EM	002480079-0001	6/2014			
EM	002480079-0002	6/2014			
EM	002480079-0003	6/2014			
EM	002480079-0004	6/2014			
EM	002063412-0001	9/2014			
EM	002063412-0002	9/2014			
EM	002063412-0003	9/2014			
EM	002063412-0004	9/2014			
EM	002063453-0001	9/2014			
EM	002063438-0001	10/2014			
EM	002680801-0001	4/2015			
EM	002680801-0002	4/2015			
EM	002680801-0003	4/2015			
EM	002294900-0001	9/2015			
EM	002294900-0002	9/2015			
EM	002294900-0003	9/2015			
EM	002294900-0004	9/2015			
EM	002294900-0005	9/2015			
EM	002294900-0006	9/2015			
EM	002844035-0001	11/2015			
EM	002844035-0002	11/2015			
EP	1375637 A1	1/2004			
EP	1478727 A1	11/2004			
PL	21973 S2	2/2016			
TR	DM-082599-0003	4/2013			
TR	DM-082599-0005	4/2013			
TR	DM-082599-0012	4/2013			
TR	DM-082599-0015	4/2013			
TR	DM-082599-0020	4/2013			
TR	DM-082599-0022	4/2013			

OTHER PUBLICATIONS

Taco Dietvorst, Design U.S. Appl. No. 29/554,936, filed Feb. 17, 2016.

Taco Dietvorst, Design U.S. Appl. No. 29/554,939, filed Feb. 17, 2016.

Taco Dietvorst, Design U.S. Appl. No. 29/554,942, filed Feb. 17, 2016.

Taco Dietvorst, Design U.S. Appl. No. 29/554,944, filed Feb. 17, 2016.

Taco Dietvorst, Design U.S. Appl. No. 29/554,947, filed Feb. 17, 2016.

Taco Dietvorst, Design U.S. Appl. No. 29/554,949, filed Feb. 17, 2016.

Taco Dietvorst, Design U.S. Appl. No. 29/554,952, filed Feb. 17, 2016.

Taco Dietvorst, Design U.S. Appl. No. 29/554,937, filed Feb. 17, 2016.

Taco Dietvorst, Design U.S. Appl. No. 29/554,943, filed Feb. 17, 2016.

Taco Dietvorst, Design U.S. Appl. No. 29/554,945, filed Feb. 17, 2016.

Taco Dietvorst, Design U.S. Appl. No. 29/554,948, filed Feb. 17, 2016.

Taco Dietvorst, Design U.S. Appl. No. 29/554,959, filed Feb. 17, 2016.

Taco Dietvorst, Design U.S. Appl. No. 29/554,960, filed Feb. 17, 2016.

Taco Dietvorst, Design U.S. Appl. No. 29/554,961, filed Feb. 17, 2016.

Taco Dietvorst, Design U.S. Appl. No. 29/554,965, filed Feb. 17, 2016.

* cited by examiner

Primary Examiner — Jennifer Rivard
(74) *Attorney, Agent, or Firm* — Troutman Sanders LLP;
Ryan Schneider; Chris Davis

(57) **CLAIM**

The ornamental design for a capsule containing washing products, as shown and described.

DESCRIPTION

FIG. 1 is a perspective view of a capsule containing washing products of the present invention;

FIG. 2 is a front view of the capsule containing washing products of FIG. 1;

FIG. 3 is a side view of the capsule containing washing products of FIG. 1;

FIG. 4 is a back view of the capsule containing washing products of FIG. 1;

FIG. 5 is the other side view of the capsule containing washing products of FIG. 1;

FIG. 6 is a top view of the capsule containing washing products of FIG. 1; and,

FIG. 7 is a bottom view of the capsule containing washing products of FIG. 1.

The broken lines are included for the purpose of illustrating a portion of the capsule containing washing products that forms no part of the claimed design.

The drawings (FIGS. 1-7) are lined for color. In particular, the vertical lines in the central circular compartment represent red or pink, and the crosshatched lines in the smaller side compartment represent yellow or gold.

1 Claim, 7 Drawing Sheets

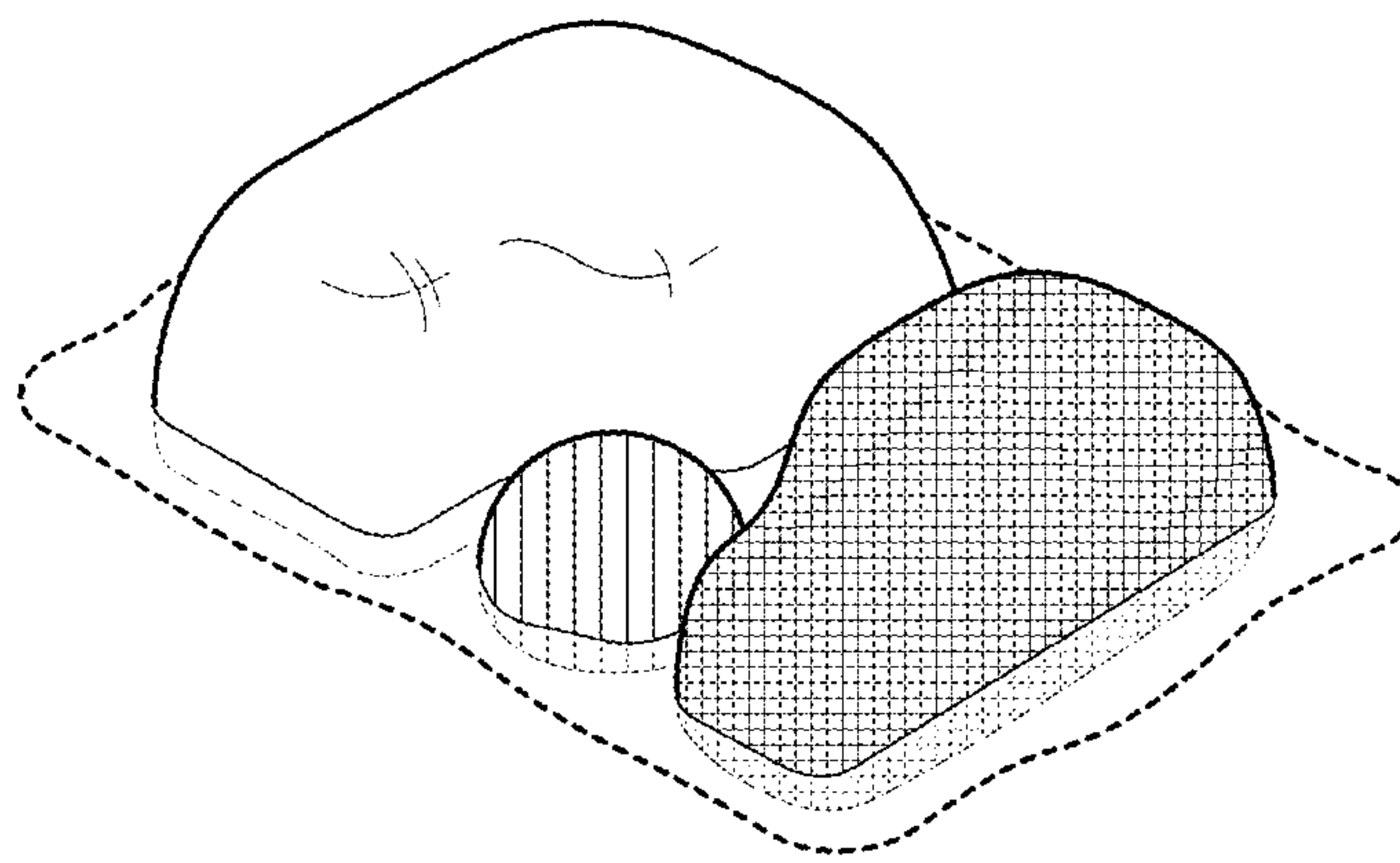


Fig. 1

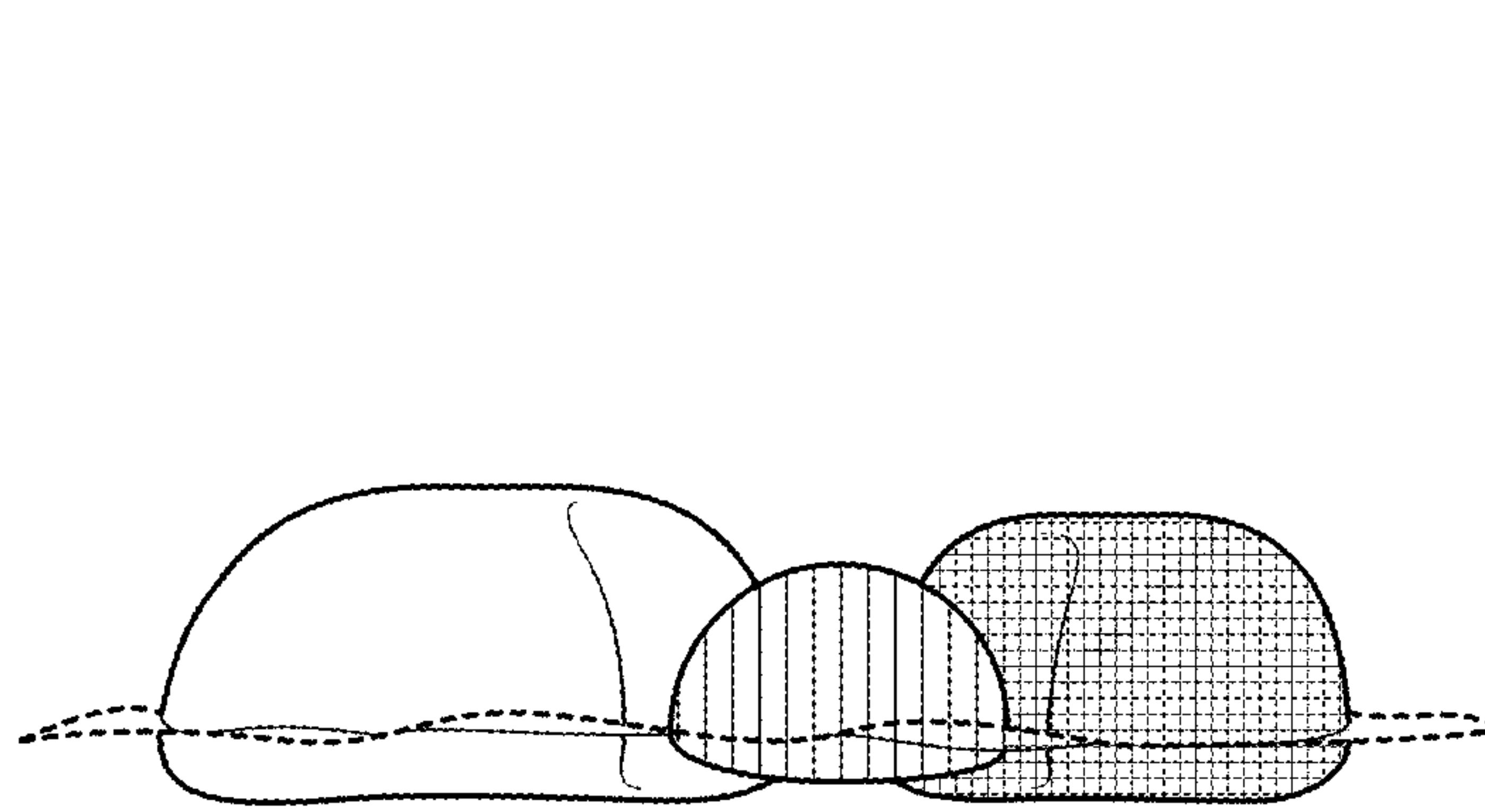


Fig. 2

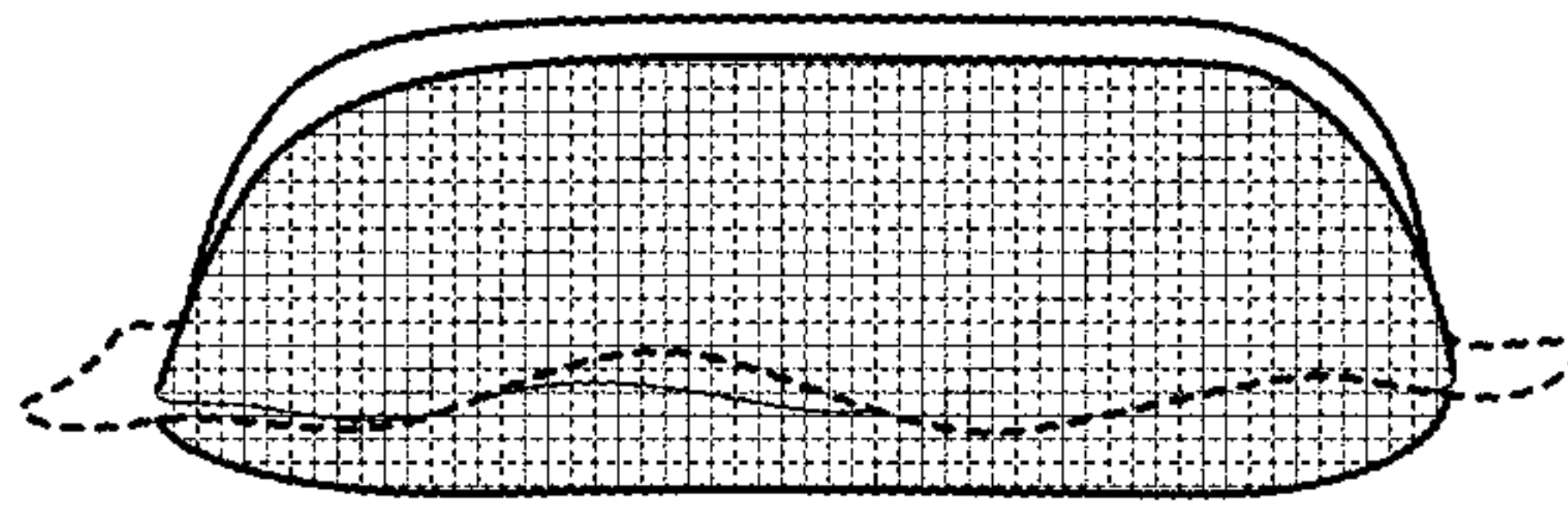


Fig. 3

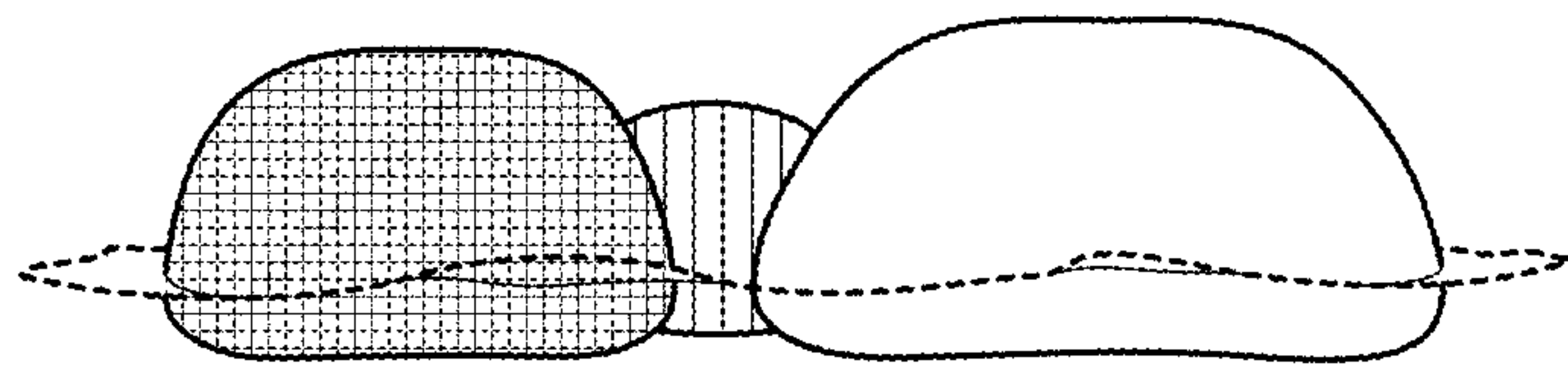


Fig. 4

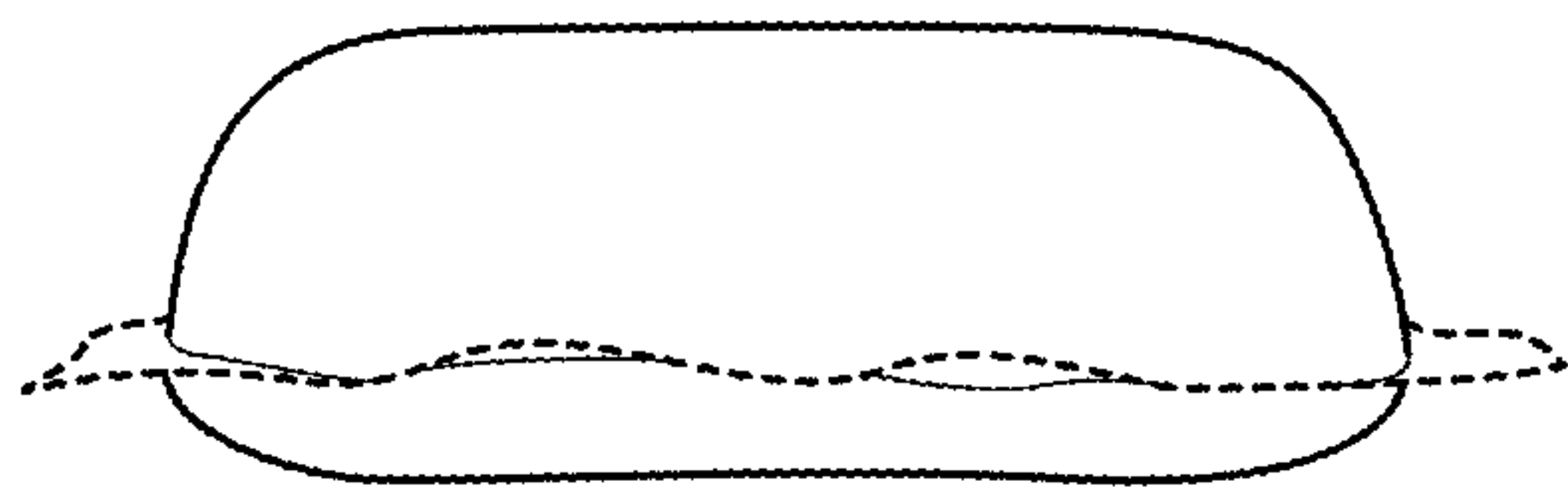


Fig. 5

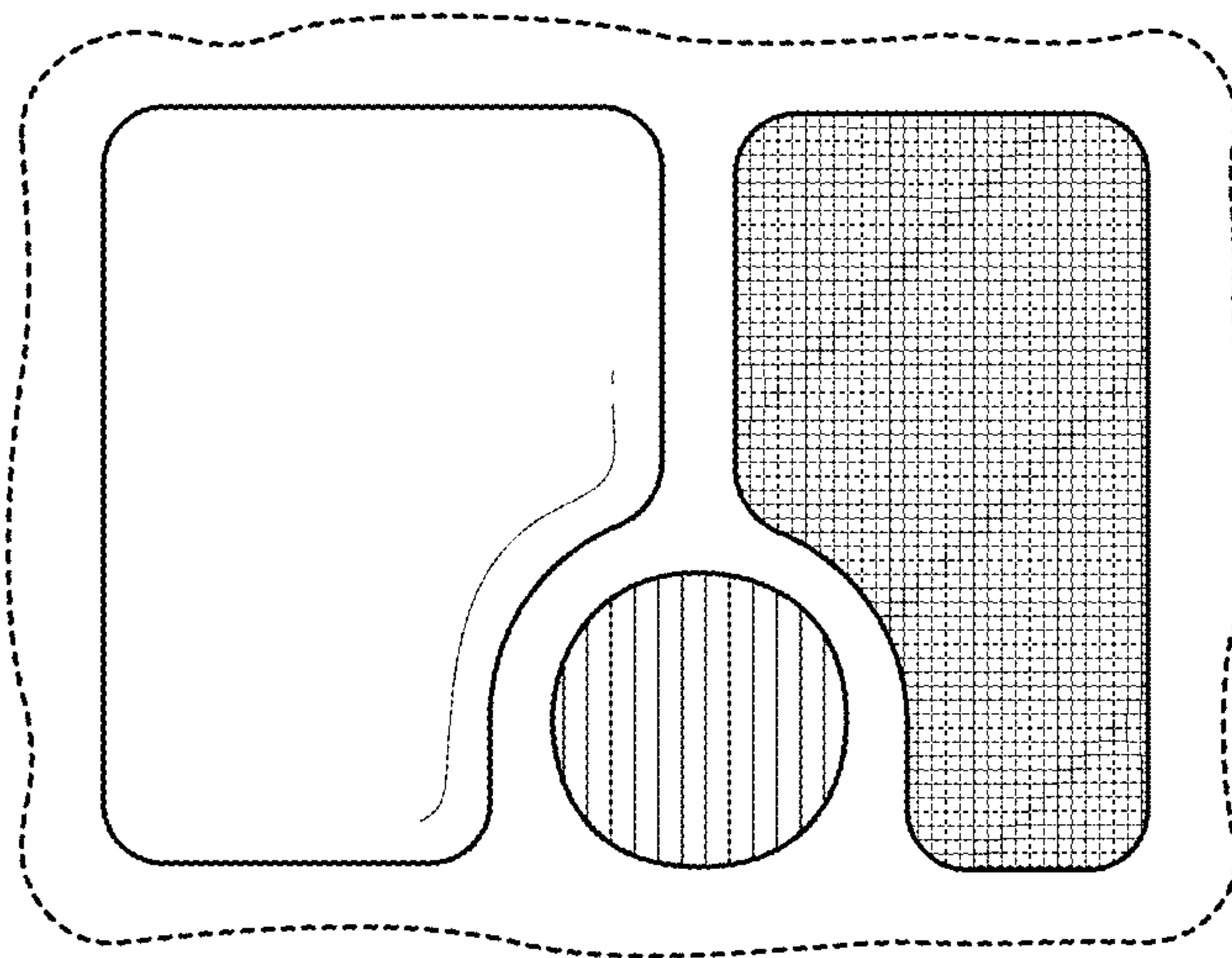


Fig. 6

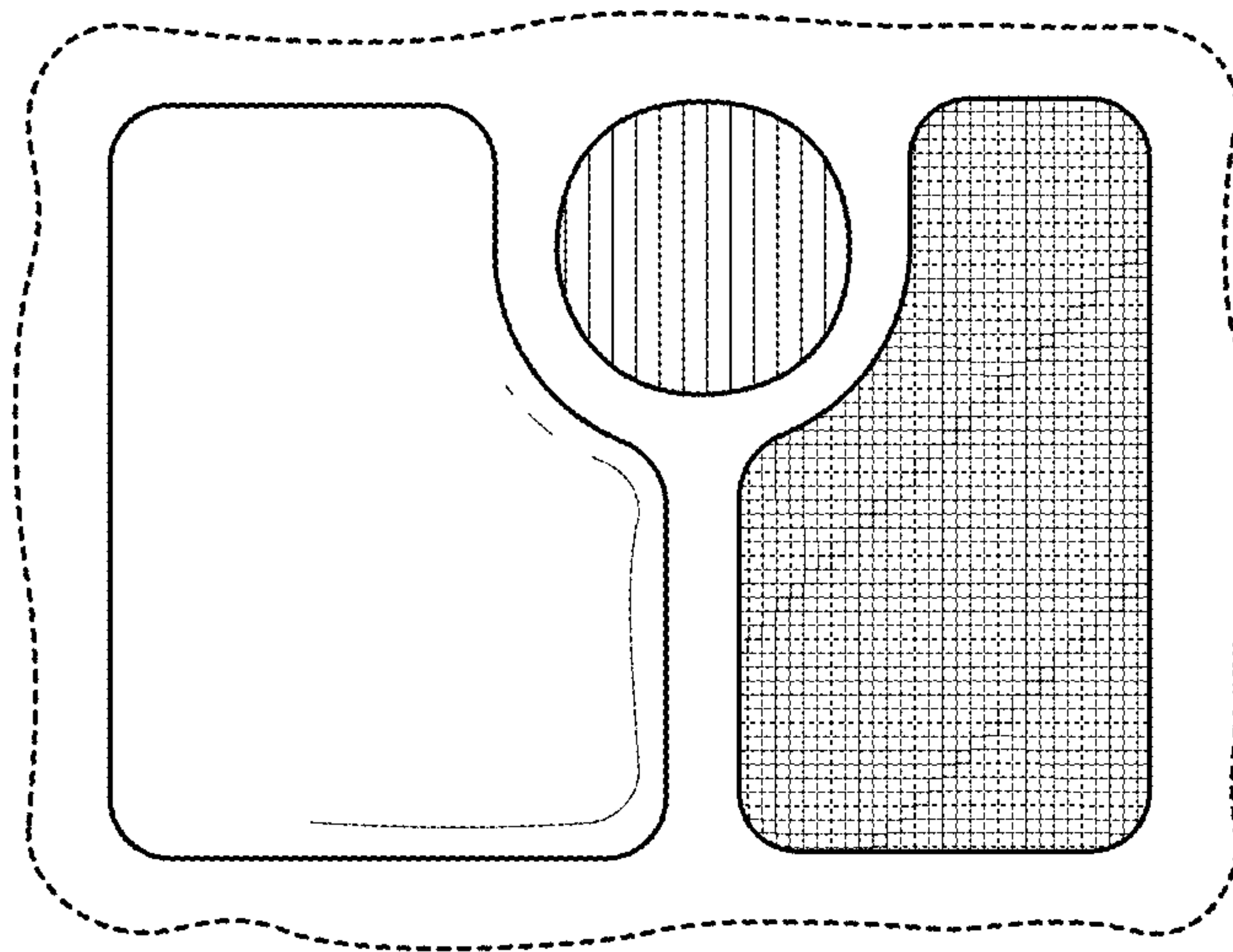


Fig. 7