



US00D808584S

(12) **United States Design Patent** (10) **Patent No.:** **US D808,584 S**
Dietvorst et al. (45) **Date of Patent:** **** *Jan. 23, 2018**

(54) **CAPSULE CONTAINING WASHING PRODUCTS**

FOREIGN PATENT DOCUMENTS

(71) Applicant: **Reckitt Benckiser Finish B.V.**,
Hoofddorp (NL)

DE 49907674-0005 9/2014
DE 49907674-0009 9/2014

(Continued)

(72) Inventors: **Taco Dietvorst**, Eindhoven (NL); **Jordi Salvador**, Granollers (ES); **Caroline Rigobert**, Heidelberg (DE); **Axel Halbherr**, Heidelberg (DE); **Izaskun Gutierrez**, Heidelberg (DE)

OTHER PUBLICATIONS

Taco Dietvorst, U.S. Appl. No. D 29/554,936, filed Feb. 17, 2016.
(Continued)

(73) Assignee: **RECKITT BENCKISER FINISH B.V.**, Hoofddorp (NL)

Primary Examiner — Jennifer Rivard
(74) *Attorney, Agent, or Firm* — Troutman Sanders LLP;
Ryan Schneider; Chris Davis

(*) Notice: This patent is subject to a terminal disclaimer.

(57) **CLAIM**
The ornamental design for a capsule containing washing products, as shown and described.

(**) Term: **15 Years**

DESCRIPTION

(21) Appl. No.: **29/578,700**

(22) Filed: **Sep. 23, 2016**

(30) **Foreign Application Priority Data**

Mar. 24, 2016 (EM) 003042696-0010

(51) **LOC (11) Cl.** **28-02**

(52) **U.S. Cl.**
USPC **D28/8.1**

(58) **Field of Classification Search**
USPC D28/8.1–8.2; D9/424–426, 428,
D9/430–432, 702, 707, 710, 737, 759
(Continued)

FIG. 1 is a perspective view of a capsule containing washing products of the present invention;
FIG. 2 is a front view of the capsule containing washing products of FIG. 1;
FIG. 3 is a side view of the capsule containing washing products of FIG. 1;
FIG. 4 is a back view of the capsule containing washing products of FIG. 1;
FIG. 5 is the other side view of the capsule containing washing products of FIG. 1;
FIG. 6 is a top view of the capsule containing washing products of FIG. 1; and,
FIG. 7 is a bottom view of the capsule containing washing products of FIG. 1.

(56) **References Cited**

U.S. PATENT DOCUMENTS

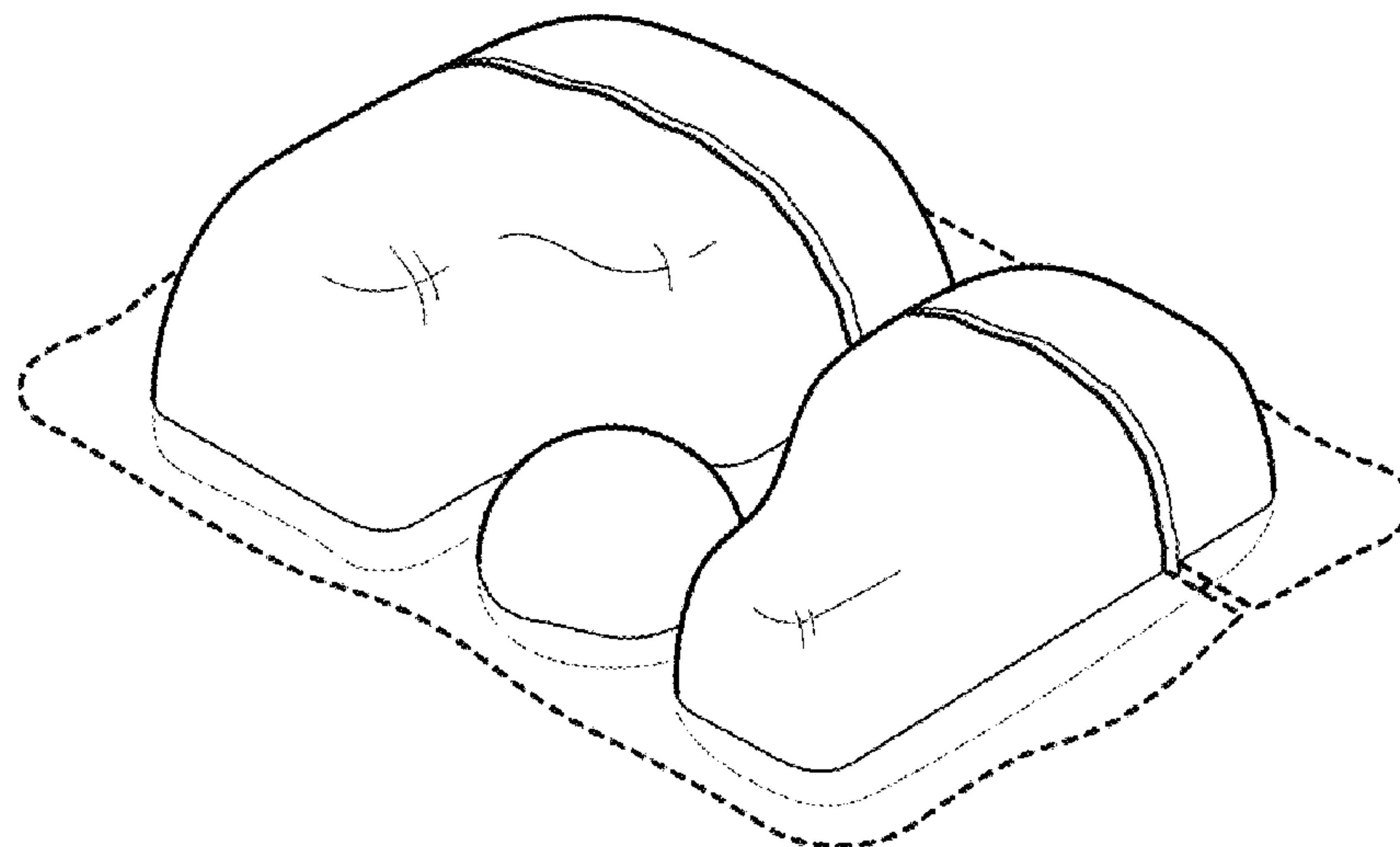
D565,244 S 3/2008 Schwartz et al.
D599,056 S 8/2009 Schwartz et al.

(Continued)

The broken lines are included for the purpose of illustrating a portion of the capsule containing washing products that forms no part of the claimed design.

The capsule is shown with a symbolic break in its width. The appearance of any portion of the article between the break lines forms no part of the claimed design.

1 Claim, 7 Drawing Sheets



(58) **Field of Classification Search**
 CPC C11D 17/04; C11D 17/041-17/042; C11D
 17/043-17/047; C11D 17/0047-17/0091;
 C11D 17/0095; C11D 17/00-17/0021
 See application file for complete search history.

(56) **References Cited**

U.S. PATENT DOCUMENTS

D608,049 S 1/2010 Schwartz et al.
 D621,718 S 8/2010 Mehdizadeh
 D648,064 S 11/2011 Pflug et al.
 D649,710 S 11/2011 Mehdizadeh
 D656,668 S 3/2012 Stone et al.
 D659,902 S 5/2012 Mehdizadeh
 D663,894 S 7/2012 Davanzo et al.
 D679,863 S 4/2013 Sunder
 D689,241 S 9/2013 Gerhards
 D691,326 S 10/2013 Gerhards
 D695,451 S 12/2013 Gerhards
 8,669,219 B2* 3/2014 Wiedemann B65D 65/46
 510/293
 D714,161 S 9/2014 Crawford et al.
 D728,157 S 4/2015 Sarb
 D732,735 S 6/2015 Nixon et al.
 D733,962 S 7/2015 Sunder
 D735,407 S 7/2015 Gerhards
 D735,408 S 7/2015 Meier
 D735,409 S 7/2015 Sunder
 D744,162 S 11/2015 Sunder
 D748,330 S 1/2016 Gerhards
 D777,373 S * 1/2017 Sunder D28/8.1
 D783,203 S * 4/2017 Johnson D28/8.1
 D785,865 S * 5/2017 Rigobert D28/8.1
 D786,501 S * 5/2017 Rigobert D28/8.1
 D786,502 S * 5/2017 Rigobert D28/8.1
 D786,503 S * 5/2017 Rigobert D28/8.1
 D786,504 S * 5/2017 Rigobert D28/8.1
 D786,505 S * 5/2017 Rigobert D28/8.1
 D787,117 S * 5/2017 Rigobert D28/8.1
 D787,118 S * 5/2017 Rigobert D28/8.1
 D787,119 S * 5/2017 Rigobert D28/8.1
 D787,120 S * 5/2017 Rigobert D28/8.1
 D787,121 S * 5/2017 Rigobert D28/8.1
 D789,602 S * 6/2017 Rigobert D28/8.1
 D789,603 S * 6/2017 Rigobert D28/8.1
 D791,404 S * 7/2017 Rigobert D28/8.1
 D791,405 S * 7/2017 Rigobert D28/8.1
 2005/0263428 A1 12/2005 Duffield et al.
 2010/0105596 A1 4/2010 Wiedemann et al.
 2016/0130538 A1* 5/2016 Cooley B65D 81/3261
 8/137
 2017/0067000 A1* 3/2017 Brandt-Sanz B65D 65/46
 2017/0067001 A1* 3/2017 Souter B65D 65/46

FOREIGN PATENT DOCUMENTS

EM 001378921-0002 0/8201
 EM 000019070-0001 12/2005
 EM 000019070-0002 12/2005
 EM 000019070-0003 12/2005
 EM 000019070-0004 12/2005
 EM 000019070-0005 12/2005
 EM 000019070-0006 12/2005
 EM 000019070-0007 12/2005
 EM 000019070-0008 12/2005
 EM 000050380-0001 12/2005
 EM 000050380-0004 12/2005
 EM 000675855-0001 4/2007
 EM 000675855-0002 4/2007
 EM 002063214-0001 6/2012
 EM 002118075-0001 10/2012
 EM 002118075-0002 10/2012
 EM 002118075-0003 10/2012
 EM 001859505-0001 11/2012
 EM 001859505-0002 11/2012

EM 001859505-0003 11/2012
 EM 001859505-0004 11/2012
 EM 001859505-0005 11/2012
 EM 001859505-0006 11/2012
 EM 001859505-0007 11/2012
 EM 001859505-0008 11/2012
 EM 001859505-0009 11/2012
 EM 001859505-0010 11/2012
 EM 001378921-0001 8/2013
 EM 001378921-0003 8/2013
 EM 001382477-0001 9/2013
 EM 001382477-0002 9/2013
 EM 001913831-0001 10/2013
 EM 001913831-0002 10/2013
 EM 001913831-0003 10/2013
 EM 001913831-0004 10/2013
 EM 001913831-0005 10/2013
 EM 001913831-0006 10/2013
 EM 001913831-0007 10/2013
 EM 001913831-0008 10/2013
 EM 001386155-0001 11/2013
 EM 001913419-0001 11/2013
 EM 001913419-0002 11/2013
 EM 001913419-0003 11/2013
 EM 001913419-0004 11/2013
 EM 002390658-0001 1/2014
 EM 002390658-0002 1/2014
 EM 002390658-0003 1/2014
 EM 002390658-0004 1/2014
 EM 002390658-0005 1/2014
 EM 002390658-0006 1/2014
 EM 002390658-0007 1/2014
 EM 002390658-0008 1/2014
 EM 002453282-0001 4/2014
 EM 002453282-0002 4/2014
 EM 002480079-0001 6/2014
 EM 002480079-0002 6/2014
 EM 002480079-0003 6/2014
 EM 002480079-0004 6/2014
 EM 002063412-0001 9/2014
 EM 002063412-0002 9/2014
 EM 002063412-0003 9/2014
 EM 002063412-0004 9/2014
 EM 002063453-0001 9/2014
 EM 002063438-0001 10/2014
 EM 002680801-0001 4/2015
 EM 002680801-0002 4/2015
 EM 002680801-0003 4/2015
 EM 002294900-0001 9/2015
 EM 002294900-0002 9/2015
 EM 002294900-0003 9/2015
 EM 002294900-0004 9/2015
 EM 002294900-0005 9/2015
 EM 002294900-0006 9/2015
 EM 002844035-0001 11/2015
 EM 002844035-0002 11/2015
 EP 1375637 A1 1/2004
 EP 1478727 A1 11/2004
 PL 21973 S2 2/2016
 TR DM-082599-0003 4/2013
 TR DM-082599-0005 4/2013
 TR DM-082599-0012 4/2013
 TR DM-082599-0015 4/2013
 TR DM-082599-0020 4/2013
 TR DM-082599-0022 4/2013
 TR DM-082599-0023 4/2013
 WO 20010036290 A1 5/2001
 WO 20080087417 A1 7/2008
 WO DM-082599-0001 4/2013
 WO DM-082599-0002 4/2013
 WO DM-082599-0004 4/2013
 WO DM-082599-0006 4/2013
 WO DM-082599-0007 4/2013
 WO DM-082599-0008 4/2013
 WO DM-082599-0009 4/2013
 WO DM-082599-0010 4/2013
 WO DM-082599-0011 4/2013
 WO DM-082599-0013 4/2013
 WO DM-082599-0014 4/2013

(56)

References Cited

OTHER PUBLICATIONS

FOREIGN PATENT DOCUMENTS

WO	DM-082599-0016	4/2013
WO	DM-082599-0017	4/2013
WO	DM-082599-0018	4/2013
WO	DM-082599-0019	4/2013
WO	DM-082599-0021	4/2013
WO	DM-082599-0024	4/2013
WO	DM-082599-0025	4/2013
WO	DM-082599-0026	4/2013
WO	DM-082599-0027	4/2013
WO	DM-082599-0028	4/2013
WO	DM-082599-0029	4/2013
WO	DM-083857-0001	6/2014
WO	DM-083857-0002	6/2014
WO	DM-083857-0003	6/2014
WO	DM-085740-0001	2/2015

Taco Dietvorst, U.S. Appl. No. D 29/554,939, filed Feb. 17, 2016.
Taco Dietvorst, U.S. Appl. No. D 29/554,942, filed Feb. 17, 2016.
Taco Dietvorst, U.S. Appl. No. D 29/554,944, filed Feb. 17, 2016.
Taco Dietvorst, U.S. Appl. No. D 29/554,947, filed Feb. 17, 2016.
Taco Dietvorst, U.S. Appl. No. D 29/554,949, filed Feb. 17, 2016.
Taco Dietvorst, U.S. Appl. No. D 29/554,952, filed Feb. 17, 2016.
Taco Dietvorst, U.S. Appl. No. D 29/554,937, filed Feb. 17, 2016.
Taco Dietvorst, U.S. Appl. No. D 29/554,943, filed Feb. 17, 2016.
Taco Dietvorst, U.S. Appl. No. D 29/554,945, filed Feb. 17, 2016.
Taco Dietvorst, U.S. Appl. No. D 29/554,948, filed Feb. 17, 2016.
Taco Dietvorst, U.S. Appl. No. D 29/554,959, filed Feb. 17, 2016.
Taco Dietvorst, U.S. Appl. No. D 29/554,960, filed Feb. 17, 2016.
Taco Dietvorst, U.S. Appl. No. D 29/554,961, filed Feb. 17, 2016.
Taco Dietvorst, U.S. Appl. No. D 29/554,965, filed Feb. 17, 2016.

* cited by examiner

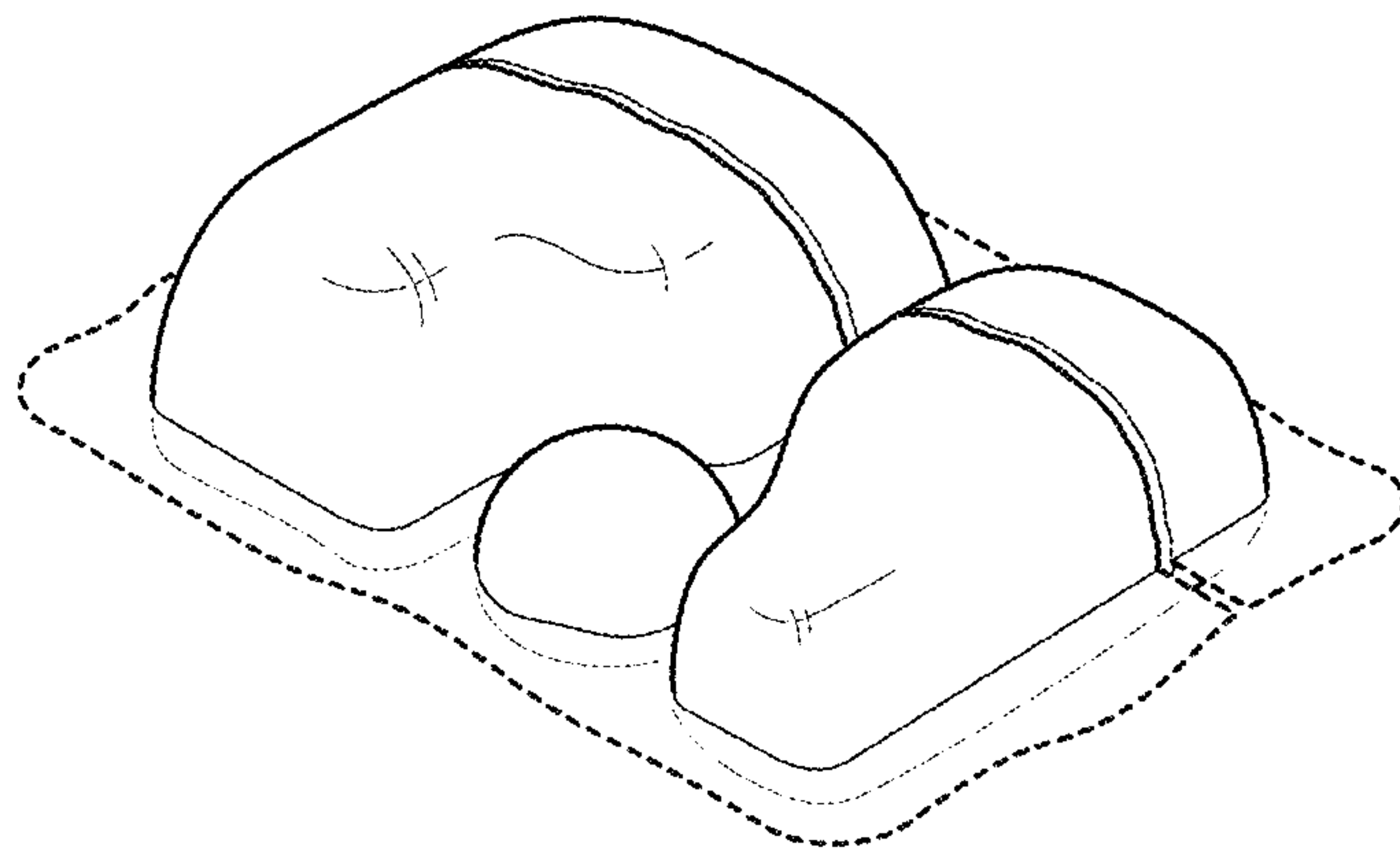


Fig. 1

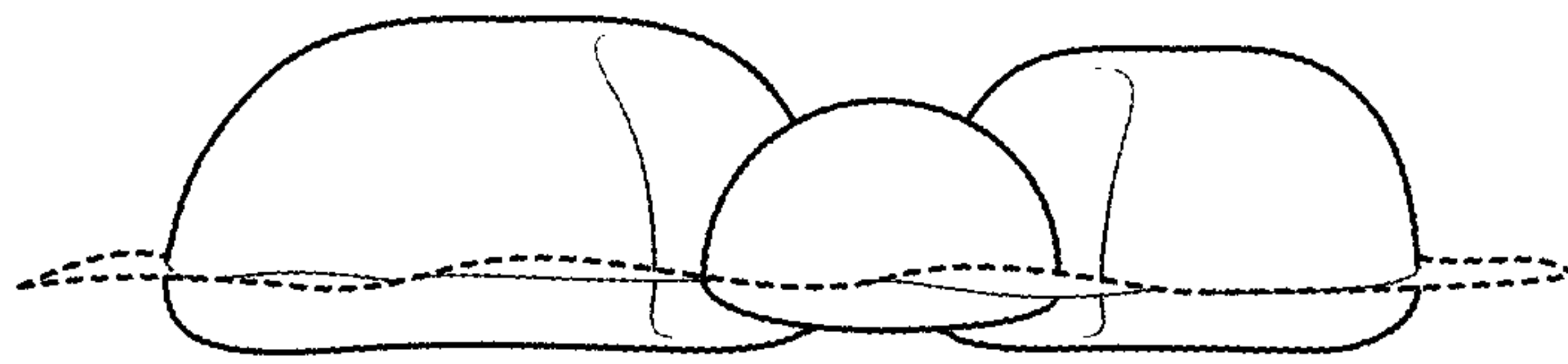


Fig. 2

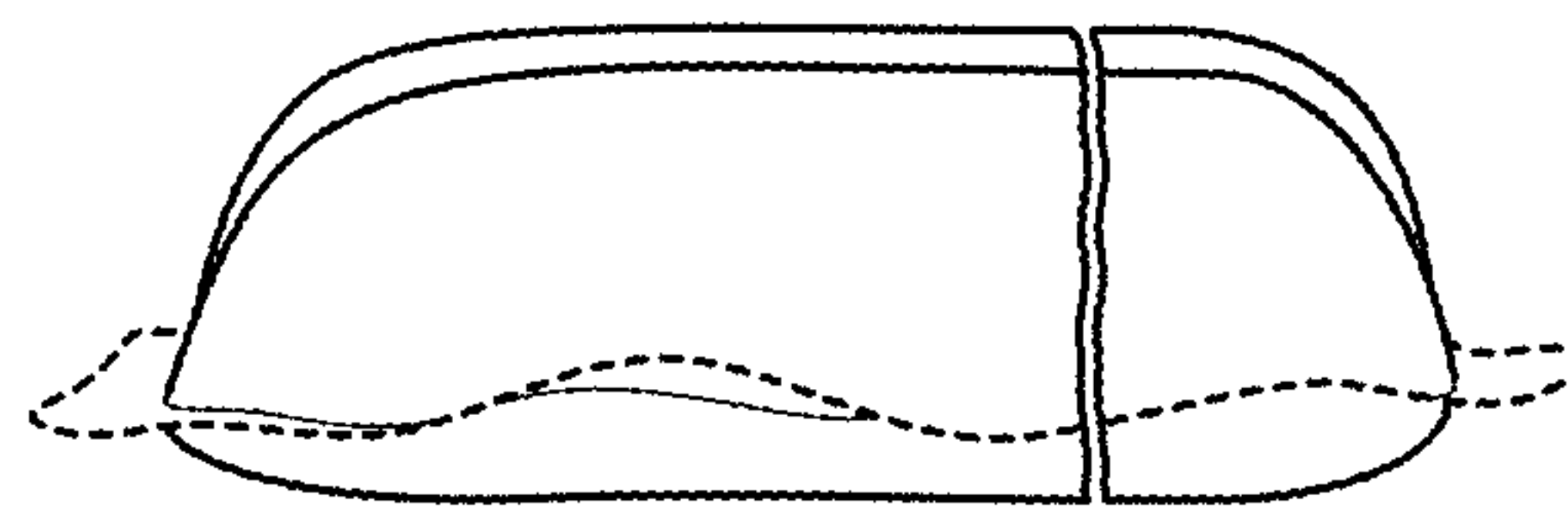


Fig. 3

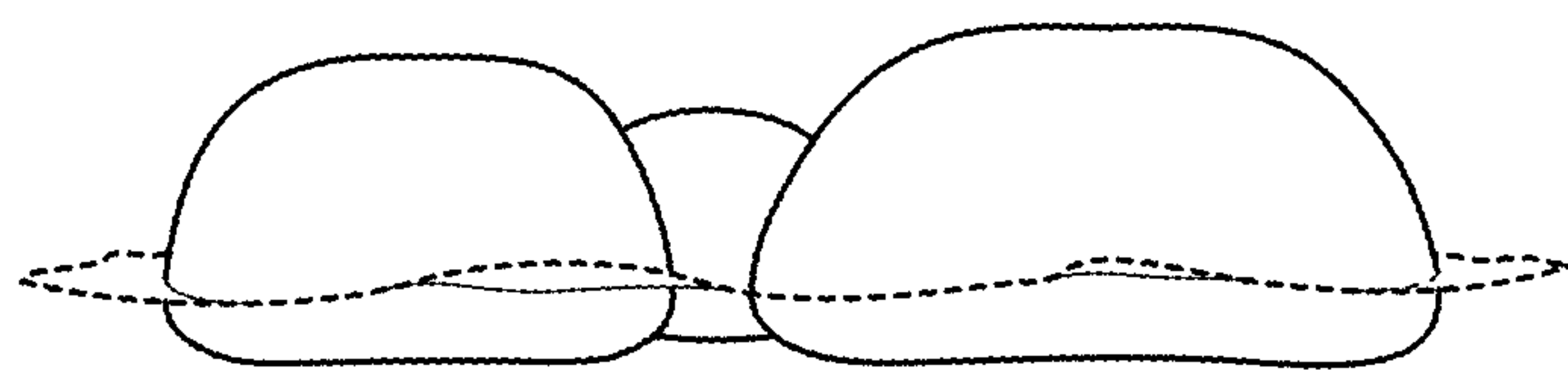


Fig. 4



Fig. 5

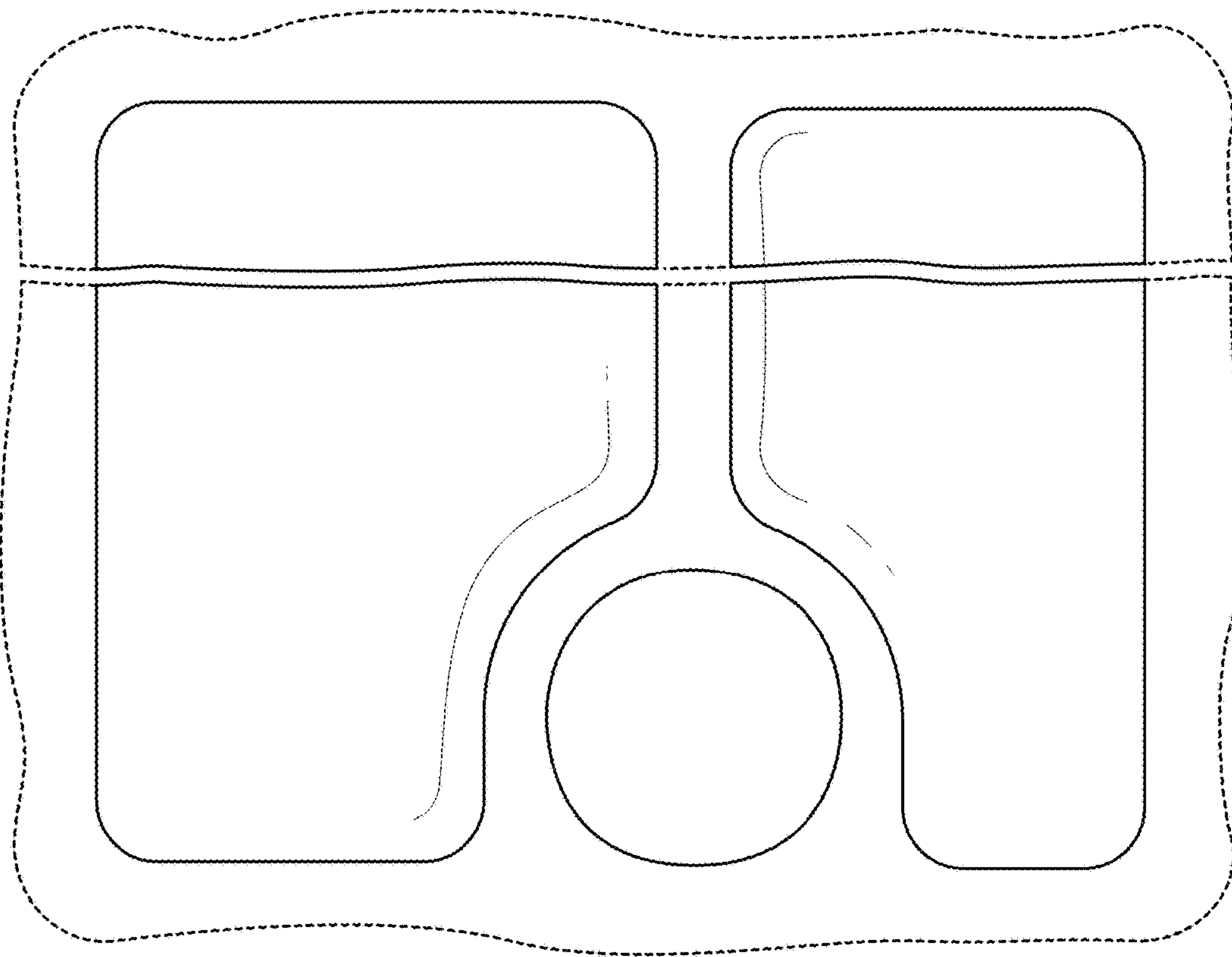


FIG. 6

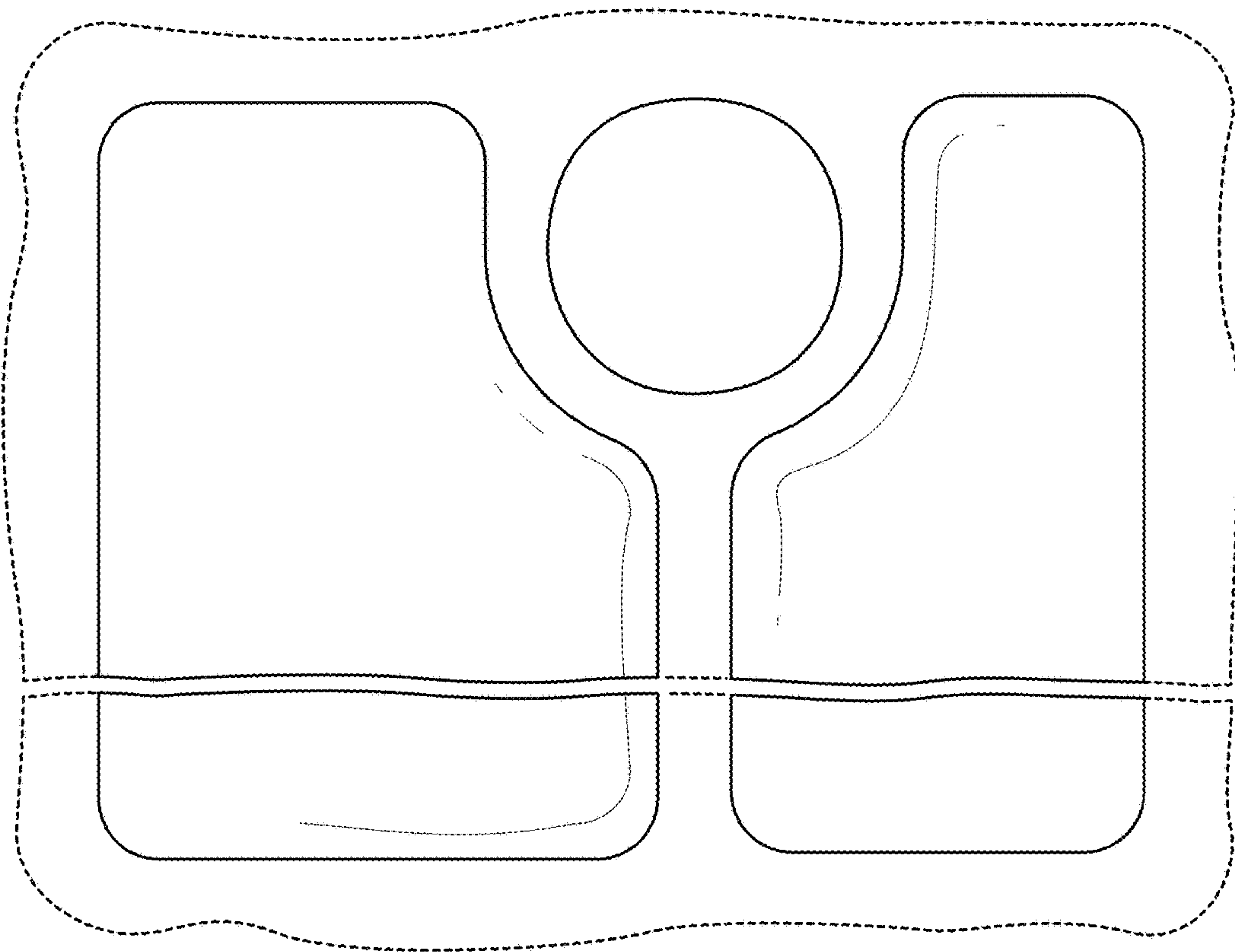


FIG. 7