



US00D808580S

(12) **United States Design Patent**
Kwitel et al.

(10) **Patent No.:** **US D808,580 S**
(45) **Date of Patent:** **** Jan. 23, 2018**

- (54) **ELECTRONIC VAPING DEVICE**
- (71) Applicant: **Sparq Life, Inc.**, Brooklyn, NY (US)
- (72) Inventors: **Steven Kwitel**, New York, NY (US);
Ran Lerner, New York, NY (US)
- (**) Term: **15 Years**
- (21) Appl. No.: **29/581,330**
- (22) Filed: **Oct. 18, 2016**
- (51) **LOC (11) Cl.** **27-01**
- (52) **U.S. Cl.**
USPC **D27/101**
- (58) **Field of Classification Search**
USPC D27/101, 106, 108, 163, 165, 167-169,
D27/172-175, 183, 186-190, 193, 195;
D24/10; 131/273, 274, 791, 330, 329
CPC A24F 47/002; A24F 47/004; A24F 47/006;
A24F 47/008; A61M 15/06
See application file for complete search history.

- D729,439 S * 5/2015 Scatterday D27/101
- D761,998 S * 7/2016 Pinder D27/101
- D762,004 S * 7/2016 Kesselman D27/169
- 9,440,035 B2 * 9/2016 Chung A61M 15/002
- 9,770,054 B2 * 9/2017 Chen A24F 47/008

* cited by examiner

Primary Examiner — Susan Bennett Hattan
Assistant Examiner — Rebecca Tsehaye
(74) *Attorney, Agent, or Firm* — Patent GC; Alexander Franco

(56) **References Cited**

U.S. PATENT DOCUMENTS

- D413,002 S * 8/1999 Melograno D27/167
- D442,329 S * 5/2001 Najjar D26/38
- D453,854 S * 2/2002 Verhoeven-Koster D27/101
- 6,532,965 B1 * 3/2003 Abhulimen A24F 47/004
131/175
- D653,802 S * 2/2012 Kaljura D27/101
- D666,355 S * 8/2012 Alelov D27/101
- 8,528,569 B1 * 9/2013 Newton A61M 15/06
128/202.21
- D724,780 S * 3/2015 Wu D27/101

(57) **CLAIM**

The ornamental design for an electronic vaping device, as shown and described.

DESCRIPTION

FIG. 1 is a first perspective view of the device showing in the foreground a proximal end having a wood grain appearance.

FIG. 2 is a second perspective view of the device.

FIG. 3 is a third perspective view of the device showing in the foreground a distal end.

FIG. 4 is a fourth perspective view of the device showing in the foreground the distal end.

FIG. 5 is a fifth perspective view of the device showing in the foreground the proximal end.

FIG. 6 is an elevation view of the device.

FIG. 7 is a plan view of the proximal end of the device; and, FIG. 8 is a plan view of the distal end of the device.

1 Claim, 7 Drawing Sheets





FIG. 1

FIG. 2



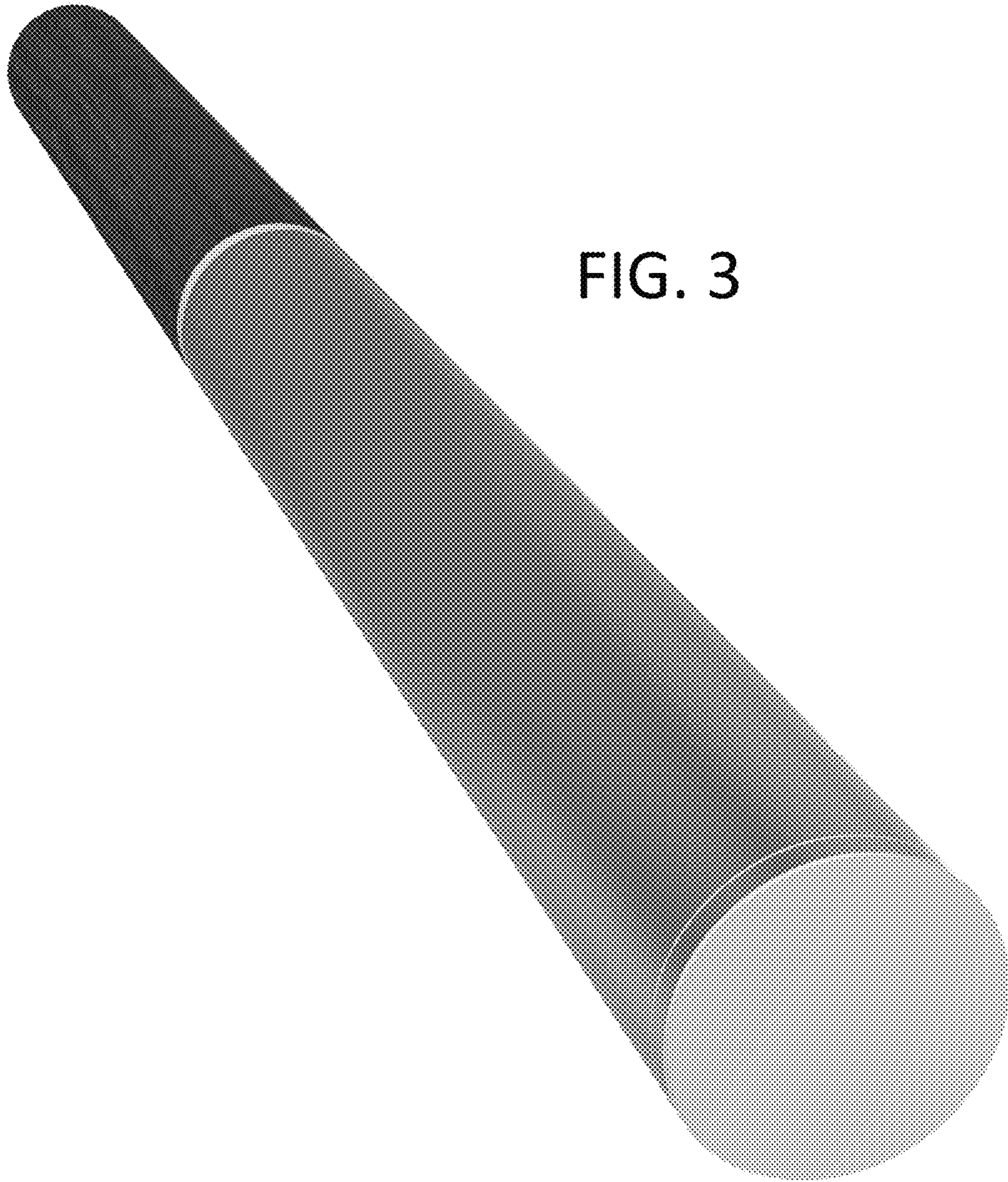


FIG. 3

FIG. 4

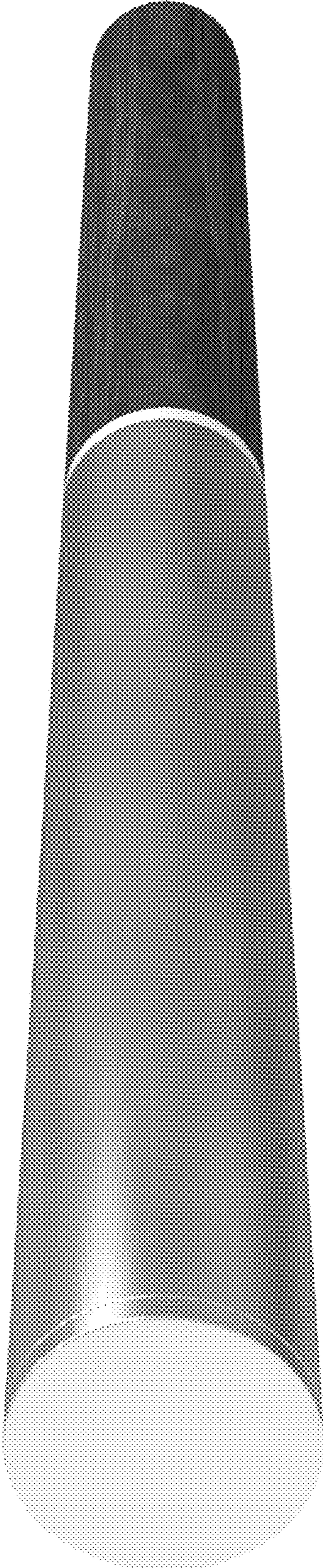


FIG. 5

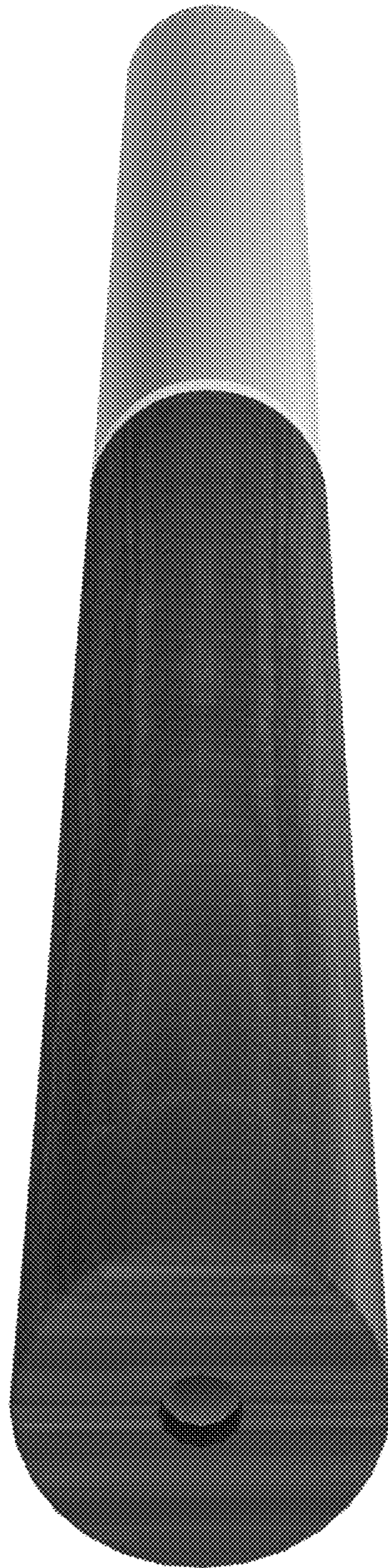


FIG. 6

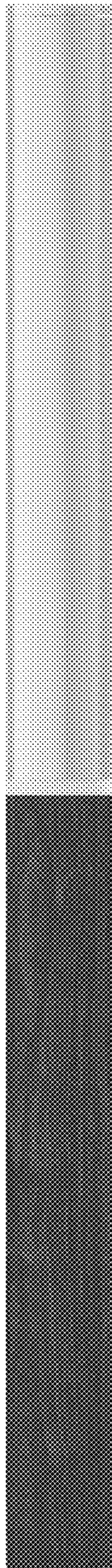


FIG. 7

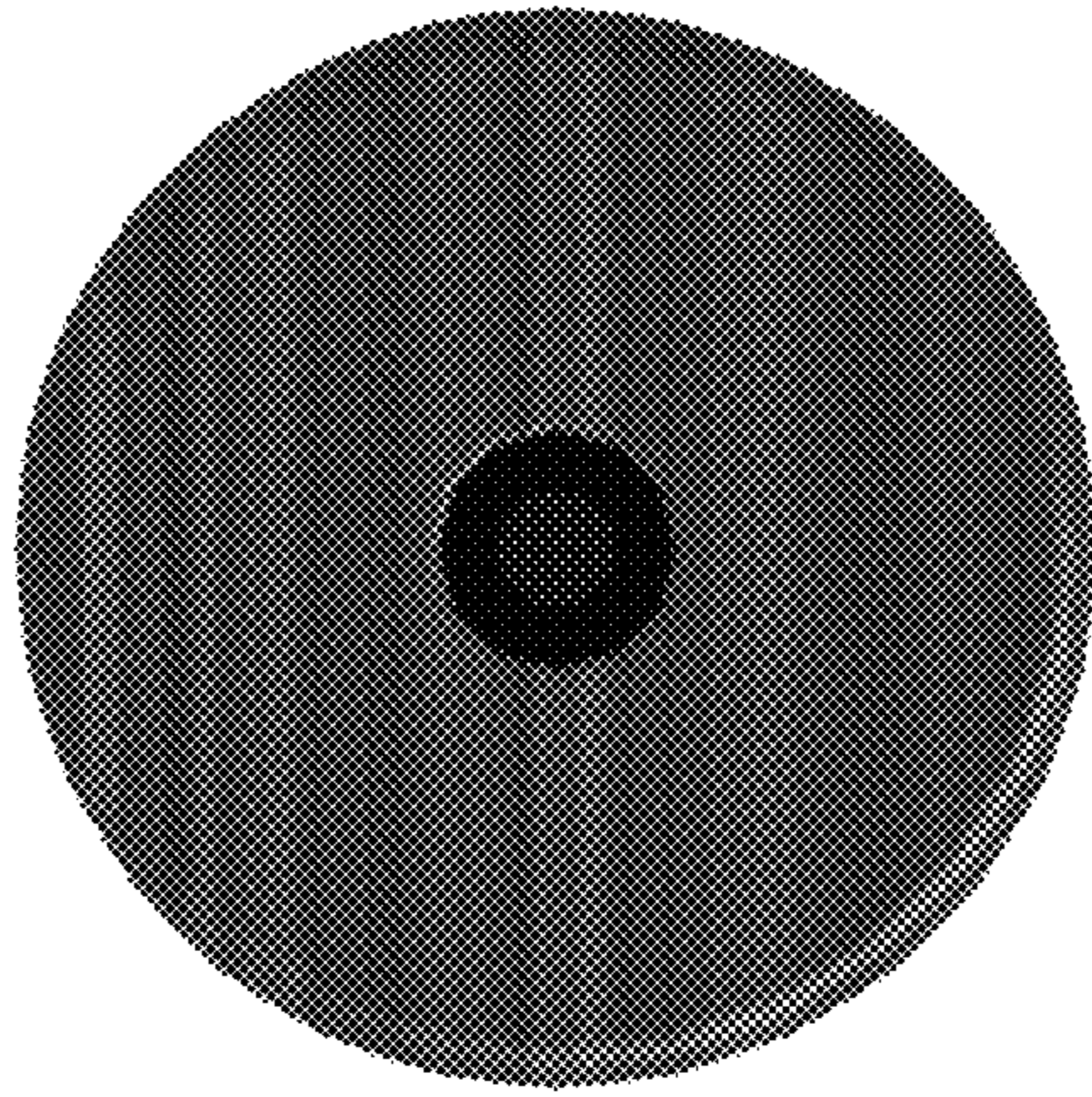


FIG. 8

