



US00D808576S

(12) **United States Design Patent**
Clarke

(10) **Patent No.:** **US D808,576 S**
(45) **Date of Patent:** **** Jan. 23, 2018**

(54) **BRACKET FOR GUTTER MOUNTED LIGHTING DEVICES**

(71) Applicant: **As Seen on PC, Inc.**, Fairfield, CT (US)

(72) Inventor: **Curtis Allen Clarke**, Fairfield, CT (US)

(73) Assignee: **As Seen On PC, Inc.**, Fairfield, CT (US)

(**) Term: **15 Years**

(21) Appl. No.: **29/538,284**

(22) Filed: **Sep. 2, 2015**

(51) **LOC (11) Cl.** **26-05**

(52) **U.S. Cl.**
USPC **D26/138**; D8/354

(58) **Field of Classification Search**
USPC D13/134, 146, 147, 179, 180; D26/1, 2, D26/3, 4, 24, 60, 61, 62, 64, 66, 67, 71, D26/72, 74, 75, 76, 77, 78, 85, 87, 88, D26/89, 90, 91, 113, 118, 119, 120, 121, D26/122, 123, 124, 128, 130, 138, 140, D26/141, 142, 143, 144, 145, 152, 153, D26/154, 155; D8/72, 73, 74, 354, 373, D8/374, 387, 394
CPC F21V 21/08; F21V 21/002; F21V 17/02; F21V 17/06

See application file for complete search history.

(56) **References Cited**

U.S. PATENT DOCUMENTS

1,631,355 A * 6/1927 Baldwin A47B 29/00 248/229.24
2,954,959 A * 10/1960 Lund F21V 17/00 248/343
D190,138 S * 4/1961 Noga D8/73

3,247,893 A * 4/1966 Ford A47H 1/022 16/94 D
D204,682 S * 5/1966 Benson D26/24
D222,903 S * 2/1972 Griffith D8/380
D222,904 S * 2/1972 Griffith D8/380
3,995,798 A * 12/1976 Nikolaus F21V 21/04 248/214

(Continued)

Primary Examiner — Garth Rademaker

Assistant Examiner — Richard Kearney

(74) *Attorney, Agent, or Firm* — Ziegler IP Law Group, LLC

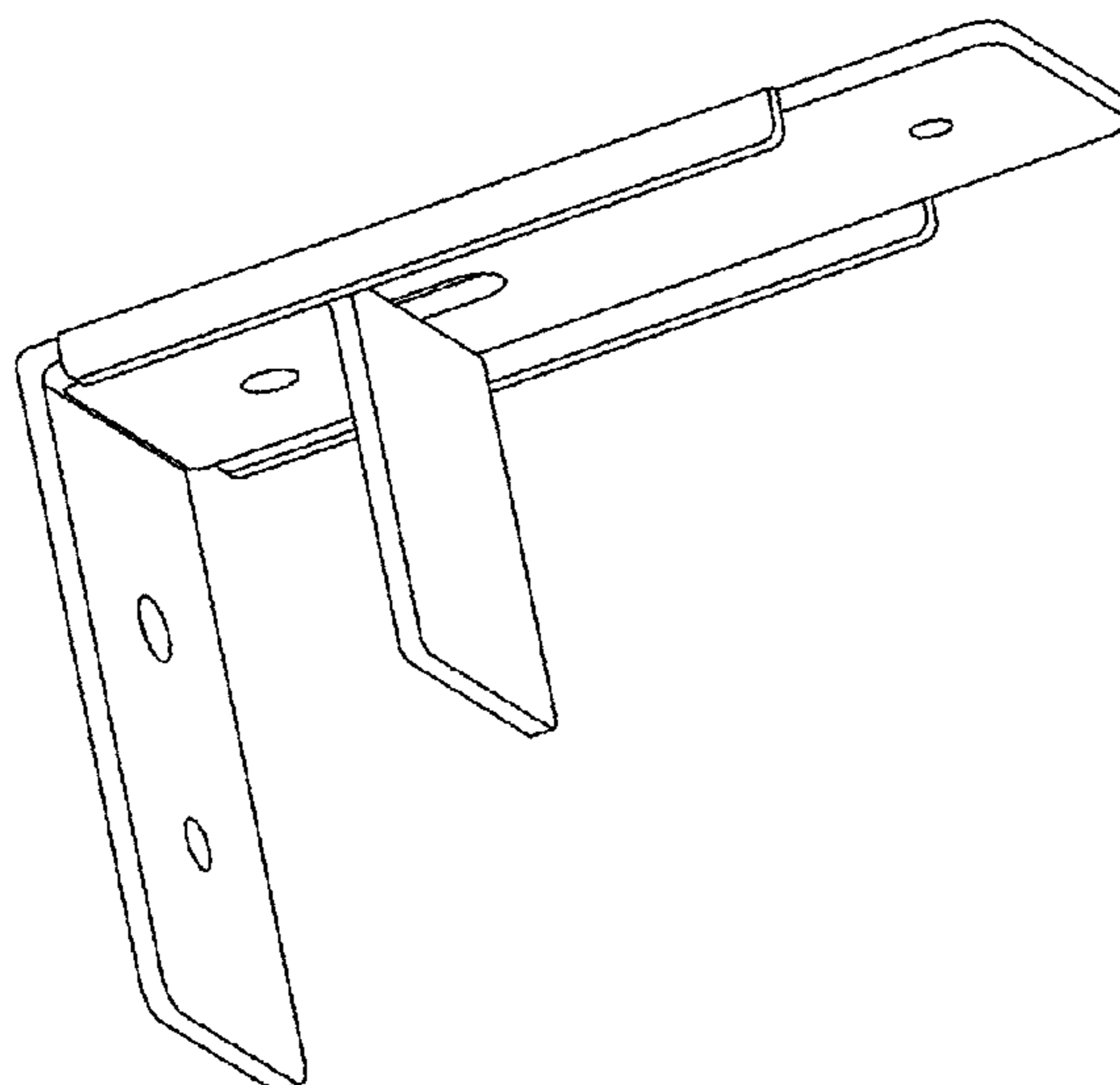
(57) **CLAIM**

The ornamental design for bracket for gutter mounted lighting devices, as shown and described.

DESCRIPTION

FIG. 1 is a perspective view of a bracket for gutter mounted lighting devices;
FIG. 2 is a top plan view thereof;
FIG. 3 is a bottom plan view thereof;
FIG. 4 is a side perspective thereof;
FIG. 5 is another side perspective view thereof, shown from the side opposite that shown in FIG. 4;
FIG. 6 is a bottom, front perspective view thereof
FIG. 7 is a rear perspective view thereof;
FIG. 8 is a perspective view of the bracket for gutter mounted lighting devices, shown in an environment of use;
FIG. 9 is a top plan view thereof;
FIG. 10 is bottom plan view thereof;
FIG. 11 is a side elevation view thereof;
FIG. 12 is a side elevation view thereof, shown from the side opposite that shown in FIG. 11;
FIG. 13 is a front elevation view thereof; and,
FIG. 14 is a rear elevation view thereof.
The broken lines shown in the drawings illustrate environmental structure that forms no part of the claimed design.

1 Claim, 14 Drawing Sheets



(56)

References Cited

U.S. PATENT DOCUMENTS

D261,584 S *	11/1981	Enders	D8/394	D616,729 S *	6/2010	Anderson	D8/355
4,363,459 A *	12/1982	Holzer	E06B 9/323	D621,692 S *	8/2010	Clarke	D8/354
				248/257	D622,578 S *	8/2010	Kollman	D8/380
4,794,675 A *	1/1989	Bisconti	B62H 5/00	D634,469 S *	3/2011	Hargreaves	D26/118
				211/17	D678,043 S *	3/2013	Lu	D8/373
D336,730 S *	6/1993	Hofman	D8/373	D689,031 S *	9/2013	Donofrio	D13/180
D337,514 S *	7/1993	Nasca	D8/373	D689,830 S *	9/2013	Bergmann	D13/180
5,529,273 A *	6/1996	Benthin	A47H 1/142	D695,173 S *	12/2013	Sperry	D12/185
				160/902	D718,101 S *	11/2014	Mason	D8/14
5,558,306 A *	9/1996	Binford	B44D 3/14	D739,208 S *	9/2015	Shirley	D8/349
				248/148	D740,486 S *	10/2015	Stanley	D26/118
D416,470 S *	11/1999	Aldeghi	D8/354	D747,177 S *	1/2016	McGinty	D8/349
D523,736 S *	6/2006	Lu	D8/373	D750,312 S *	2/2016	Reynolds	D26/118
D536,111 S *	1/2007	Li	D26/24	9,307,700 B1 *	4/2016	Schmitt	G09F 17/00
D543,834 S *	6/2007	Worthy	D8/354	D757,346 S *	5/2016	Stanley	D26/118
D551,538 S *	9/2007	Pearce	D8/354	2003/0155683 A1 *	8/2003	Pietrobon	E04G 17/14
D568,727 S *	5/2008	Walker	D8/380					264/130
D572,858 S *	7/2008	Santoro	D26/120	2008/0283702 A1 *	11/2008	Ikerd	E04B 1/2604
D574,684 S *	8/2008	Kim	D8/51					248/228.1
					2016/0177623 A1 *	6/2016	Balay	E06B 9/58
									160/266

* cited by examiner

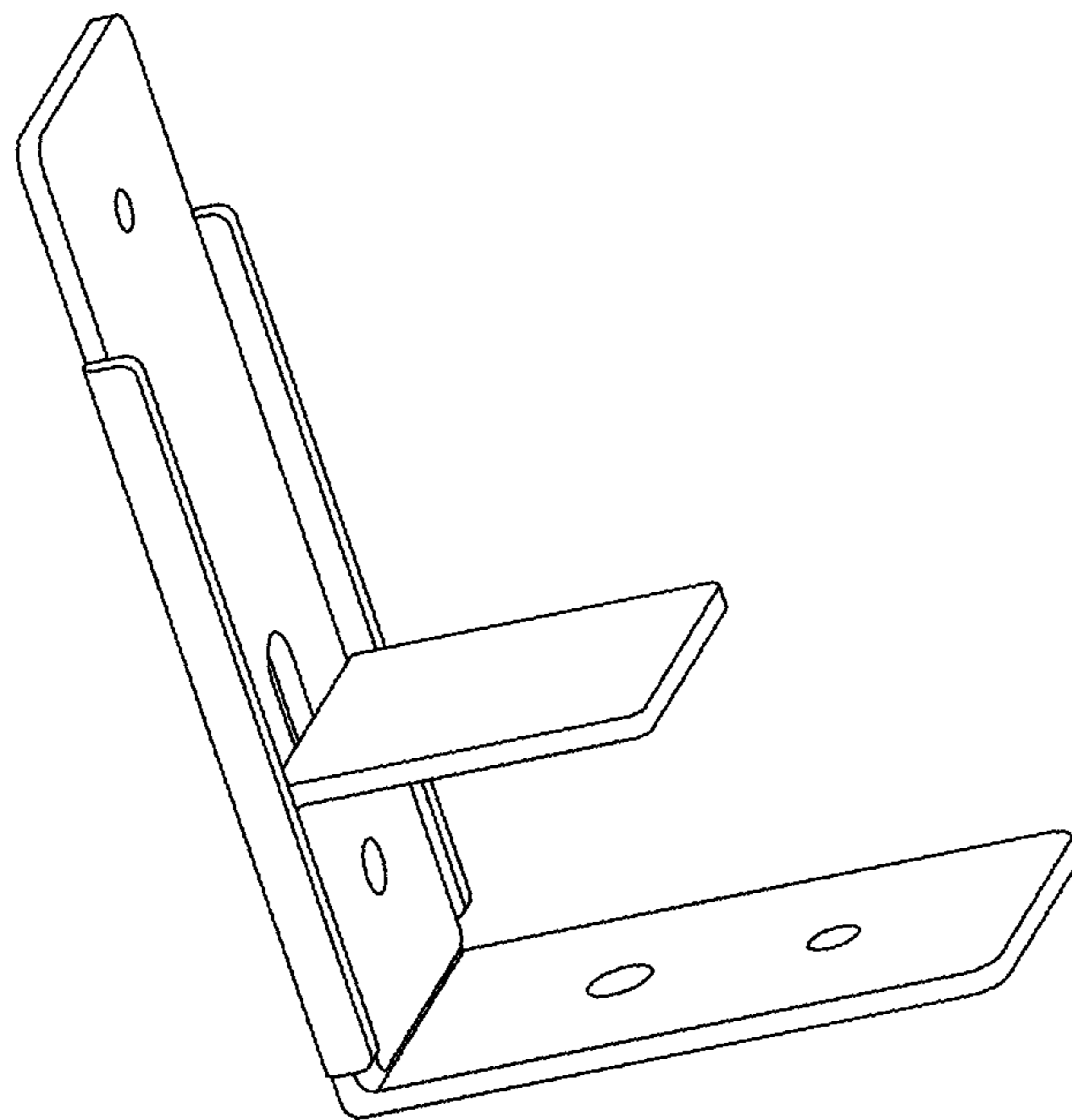


FIG. 1

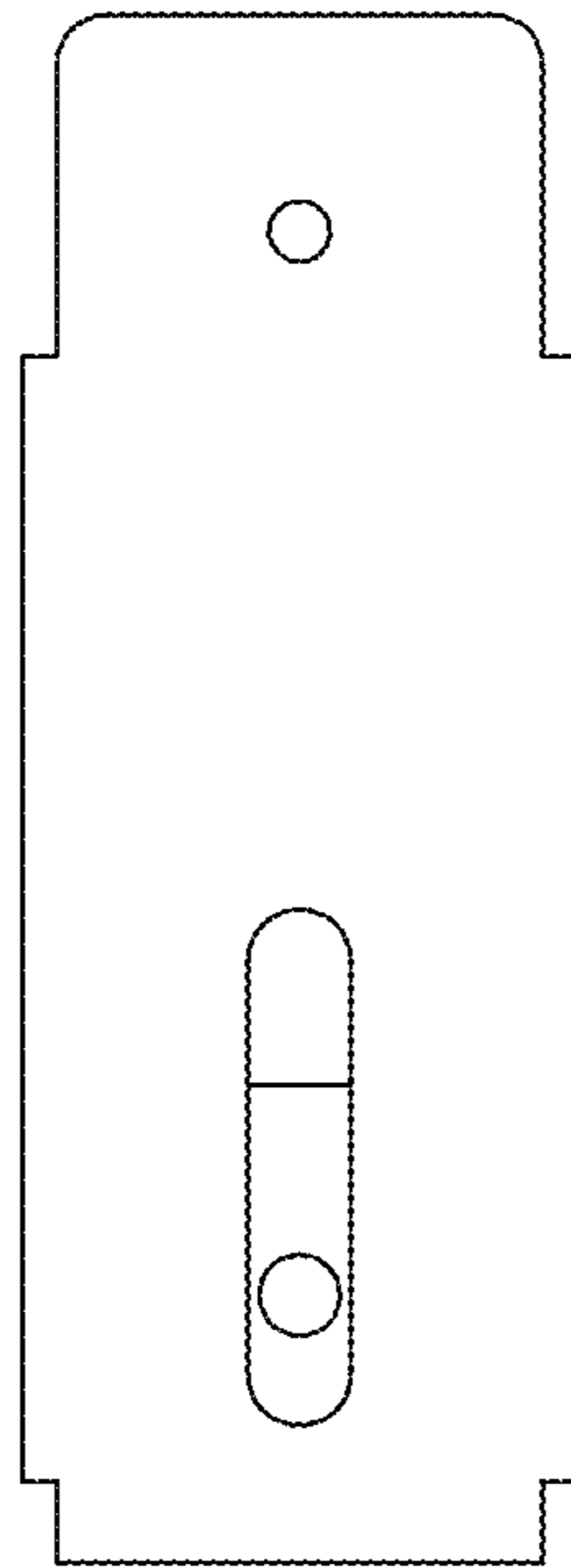


FIG. 2

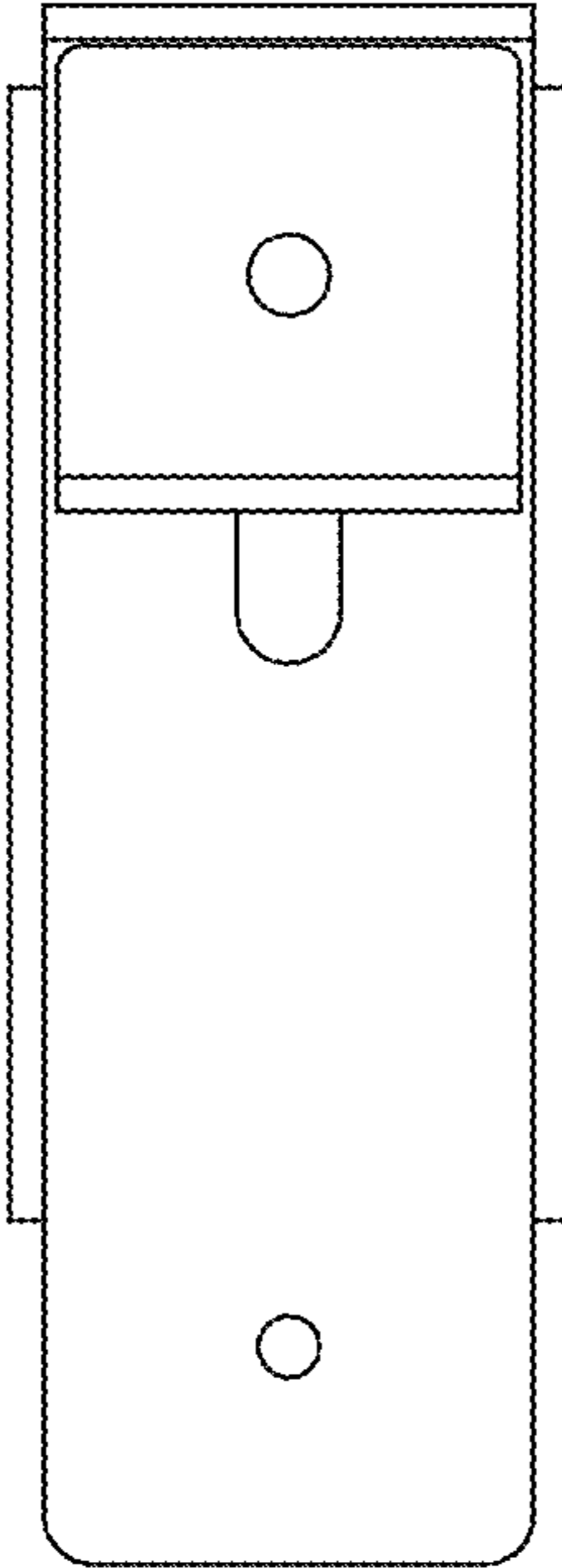


FIG. 3

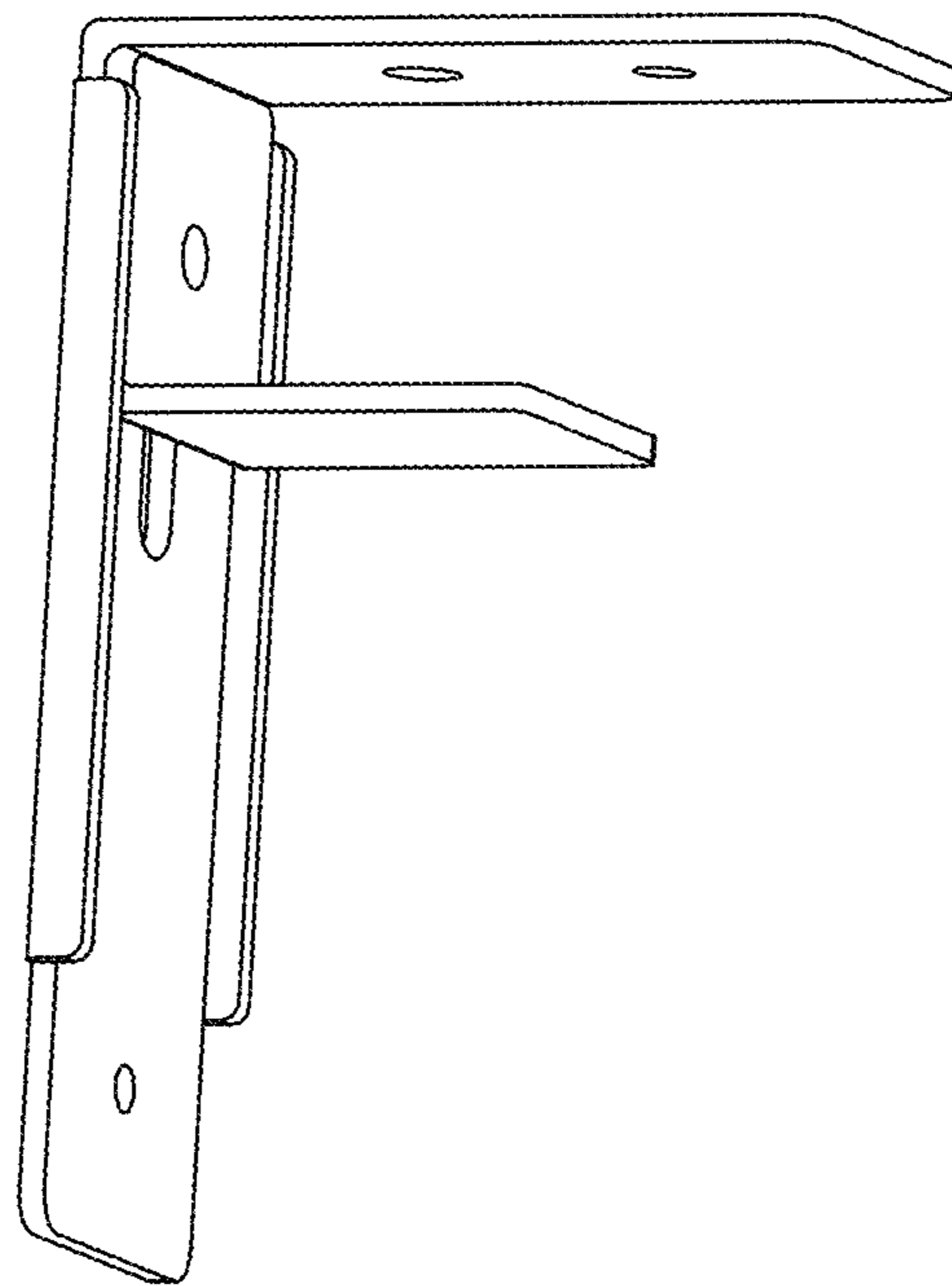


FIG. 4

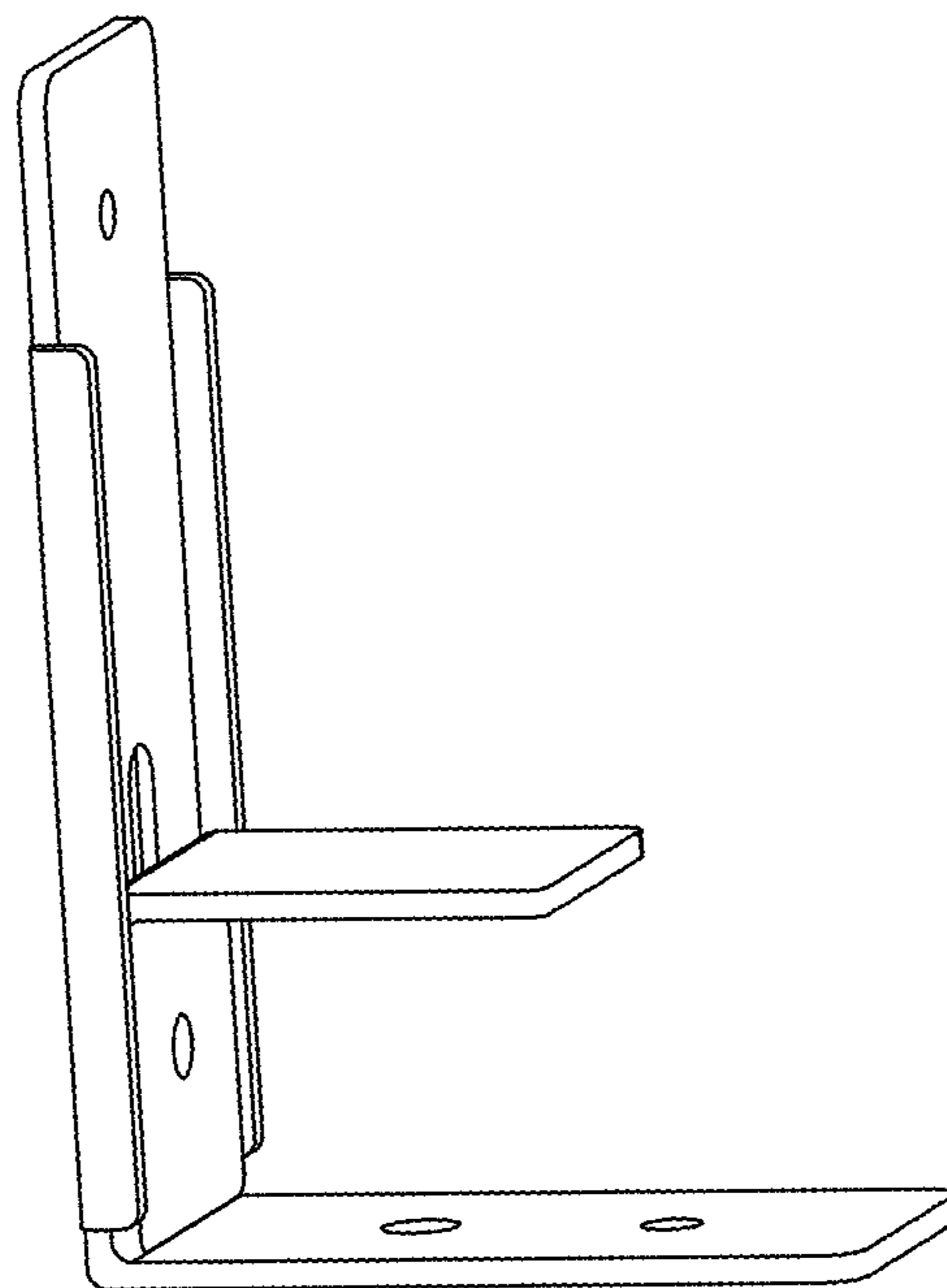


FIG. 5

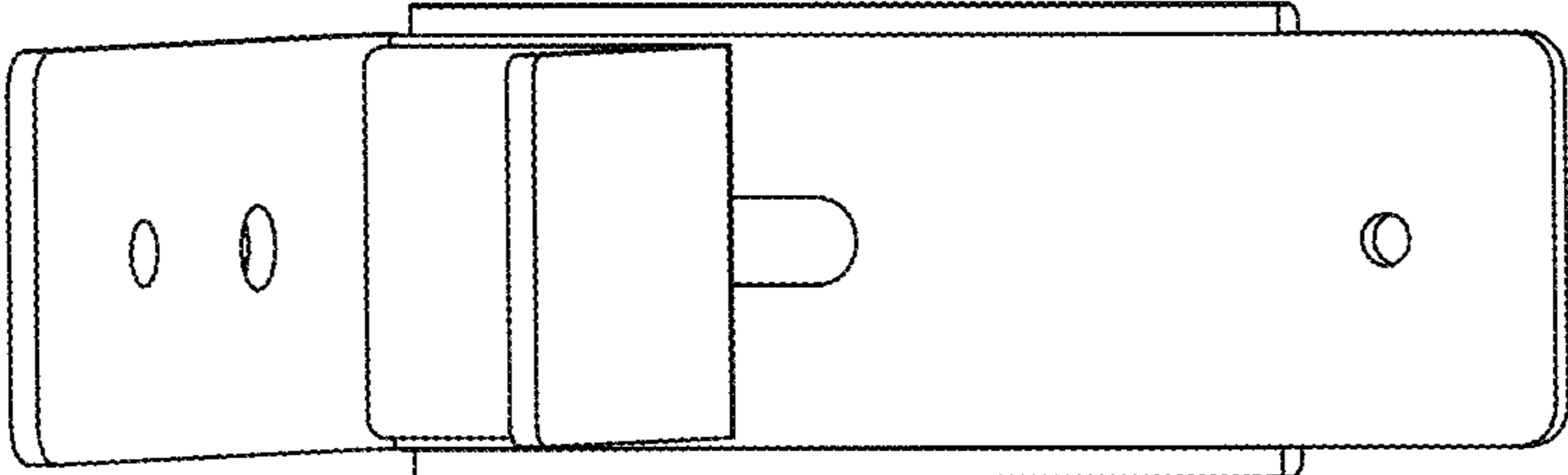


FIG. 6

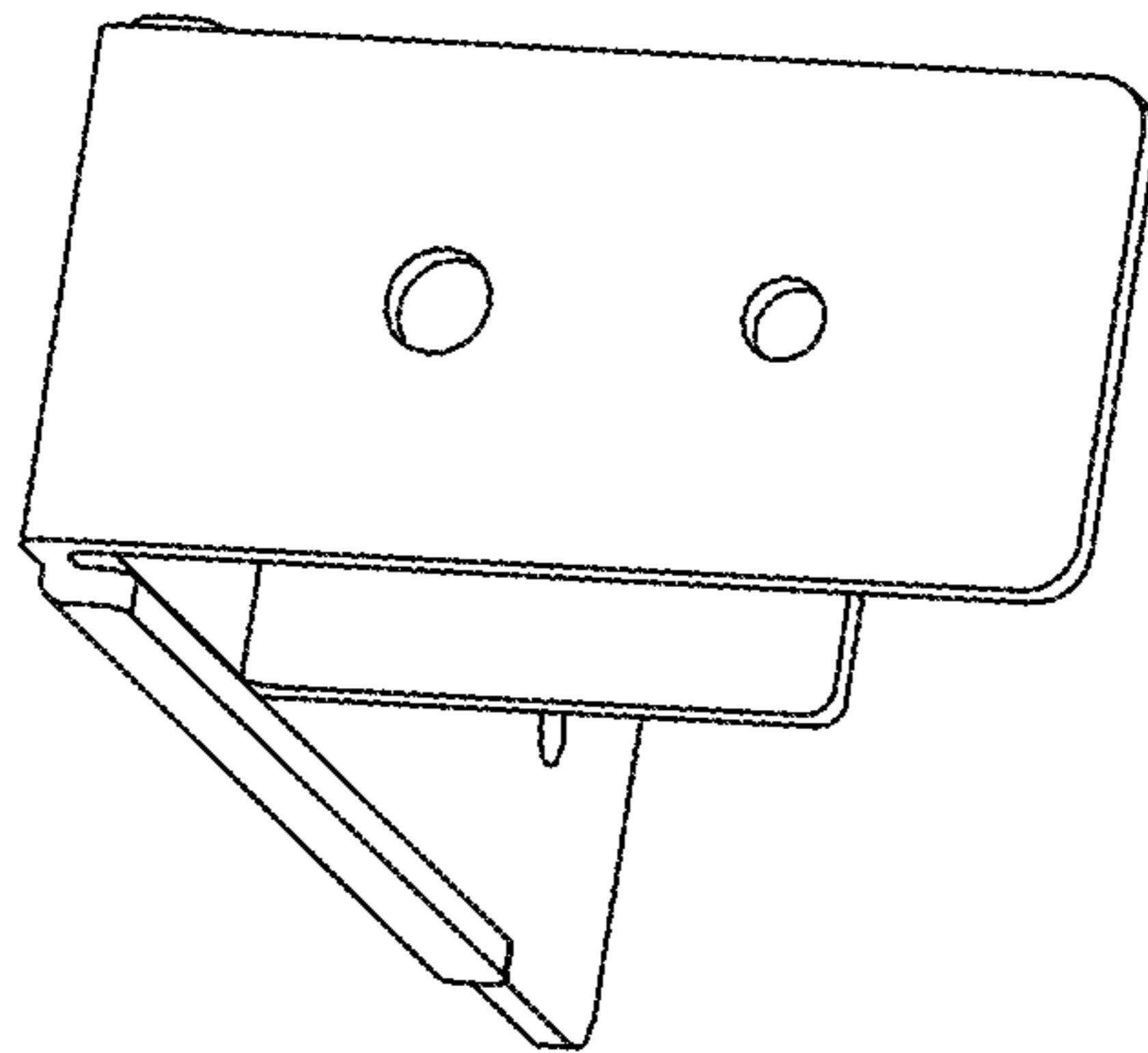


FIG. 7

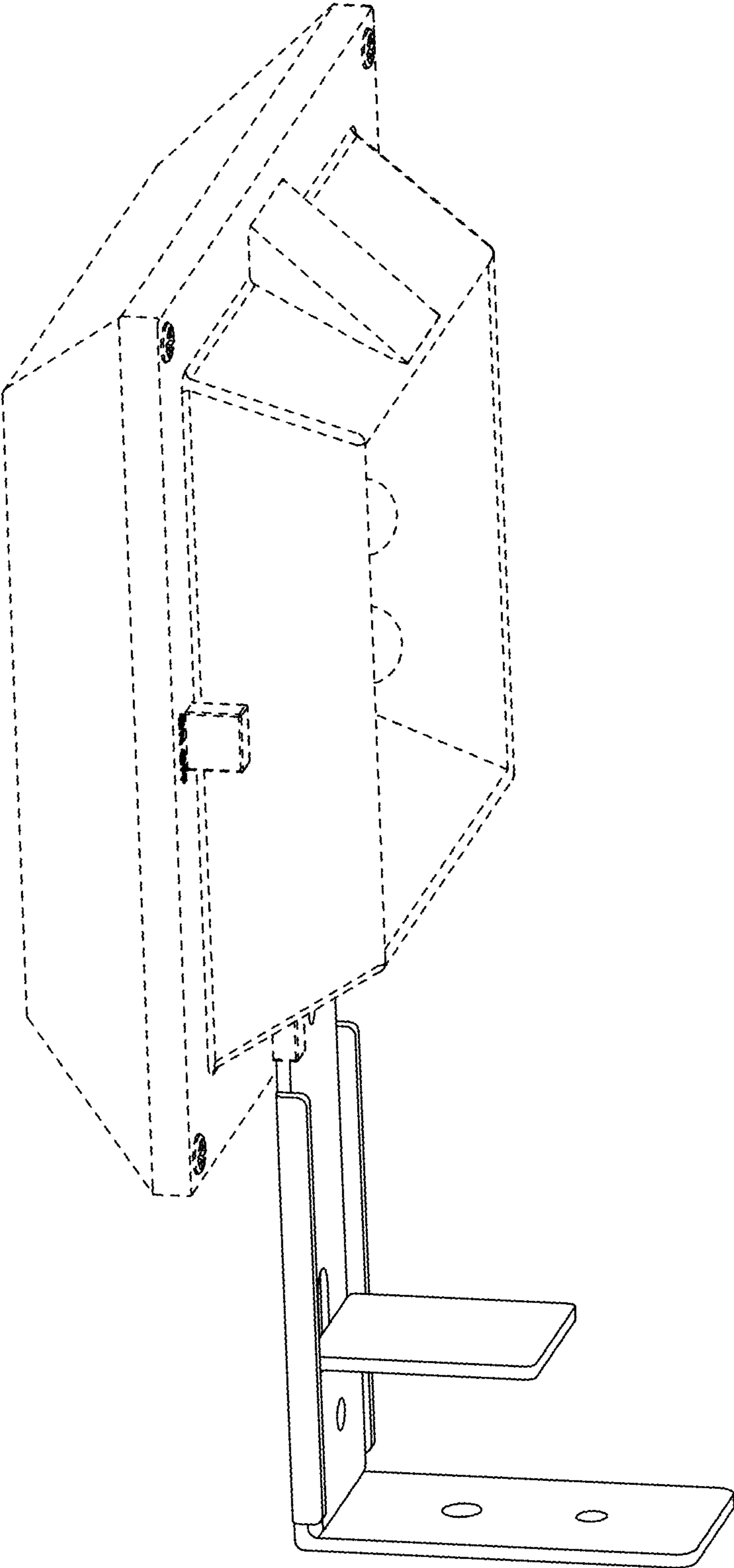


FIG. 8

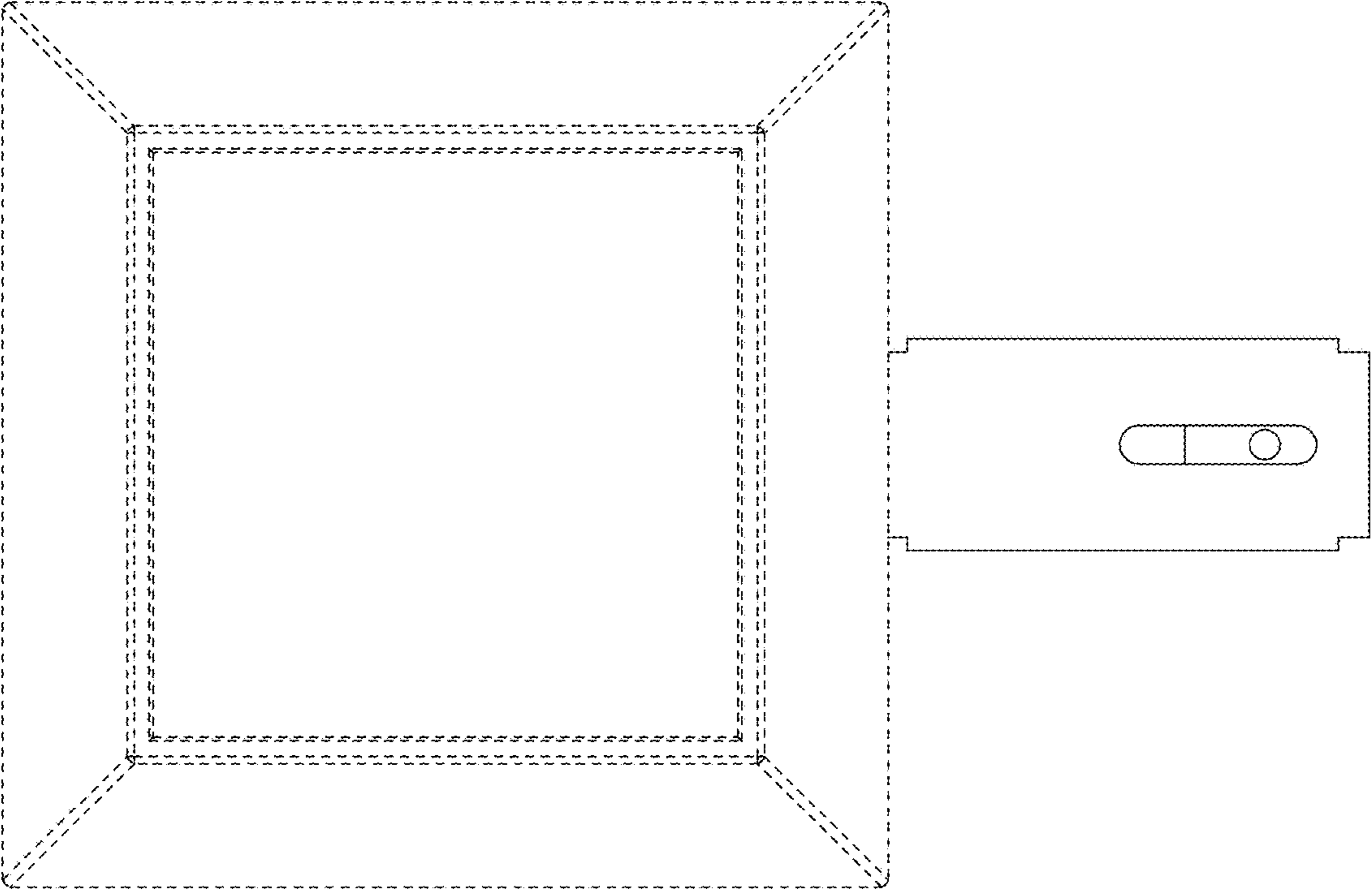


FIG. 9

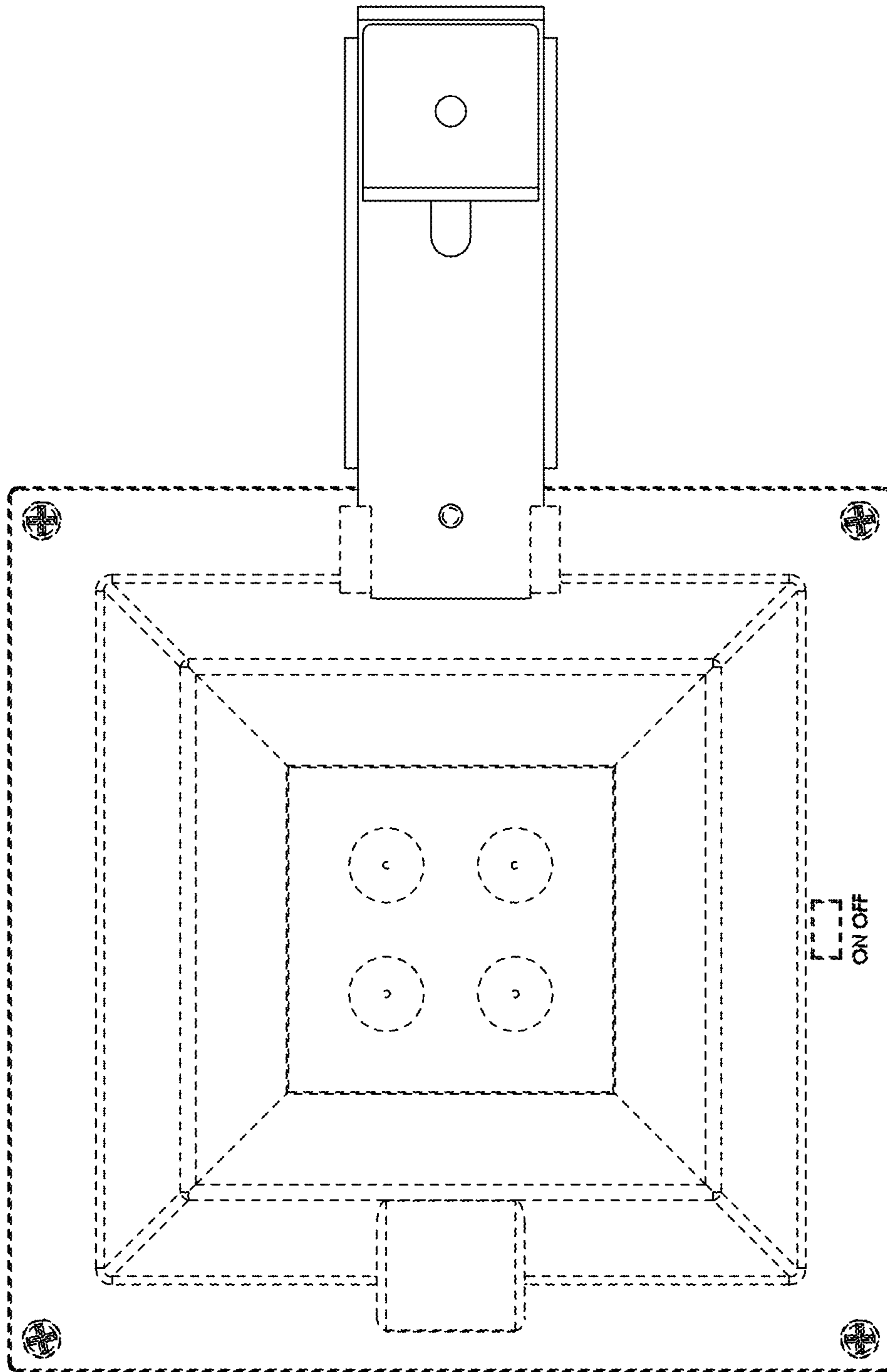


FIG. 10

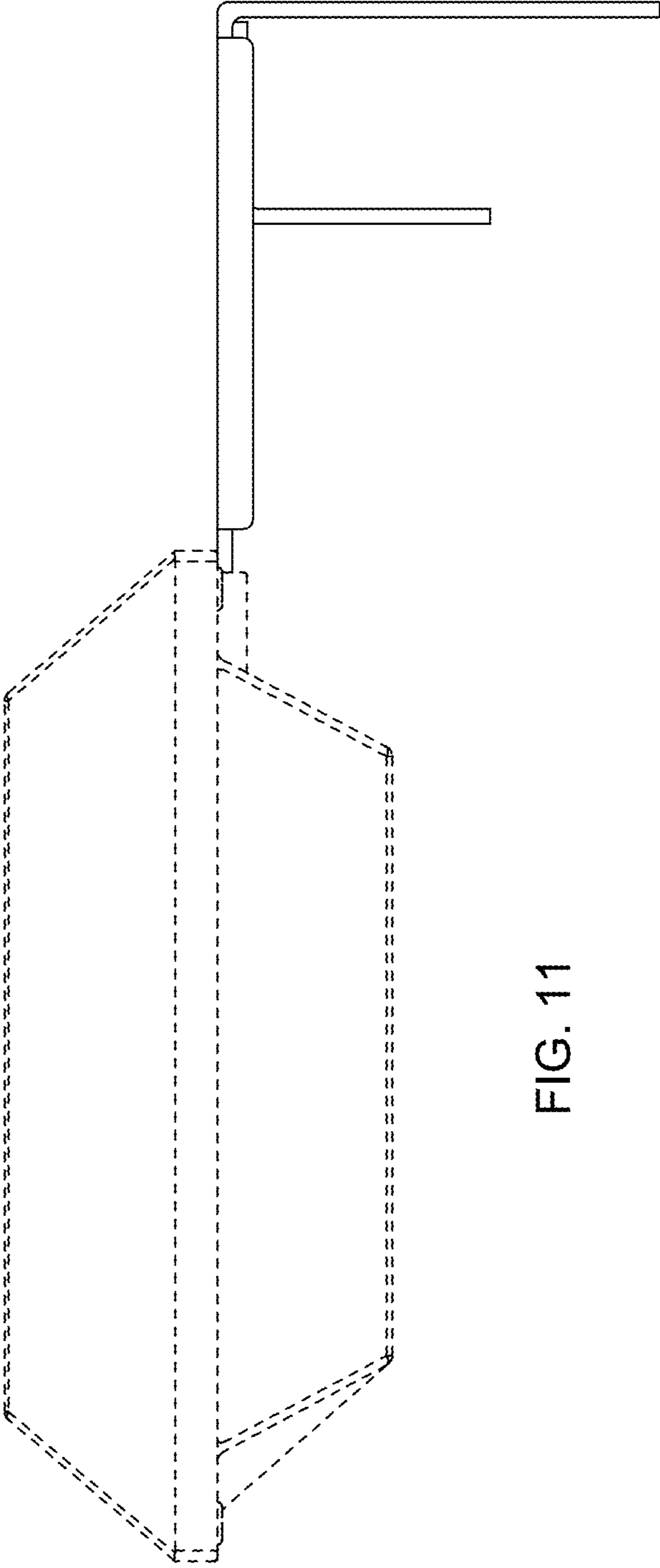


FIG. 11

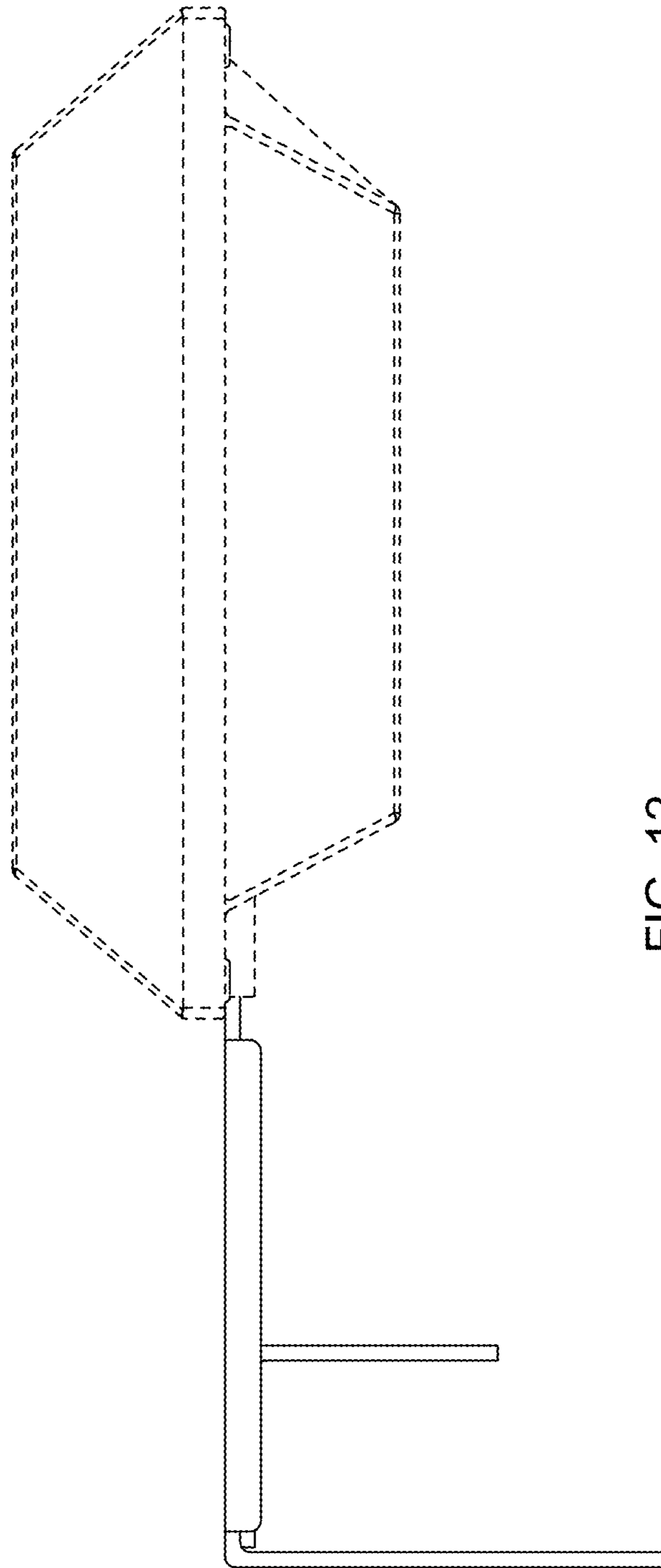


FIG. 12

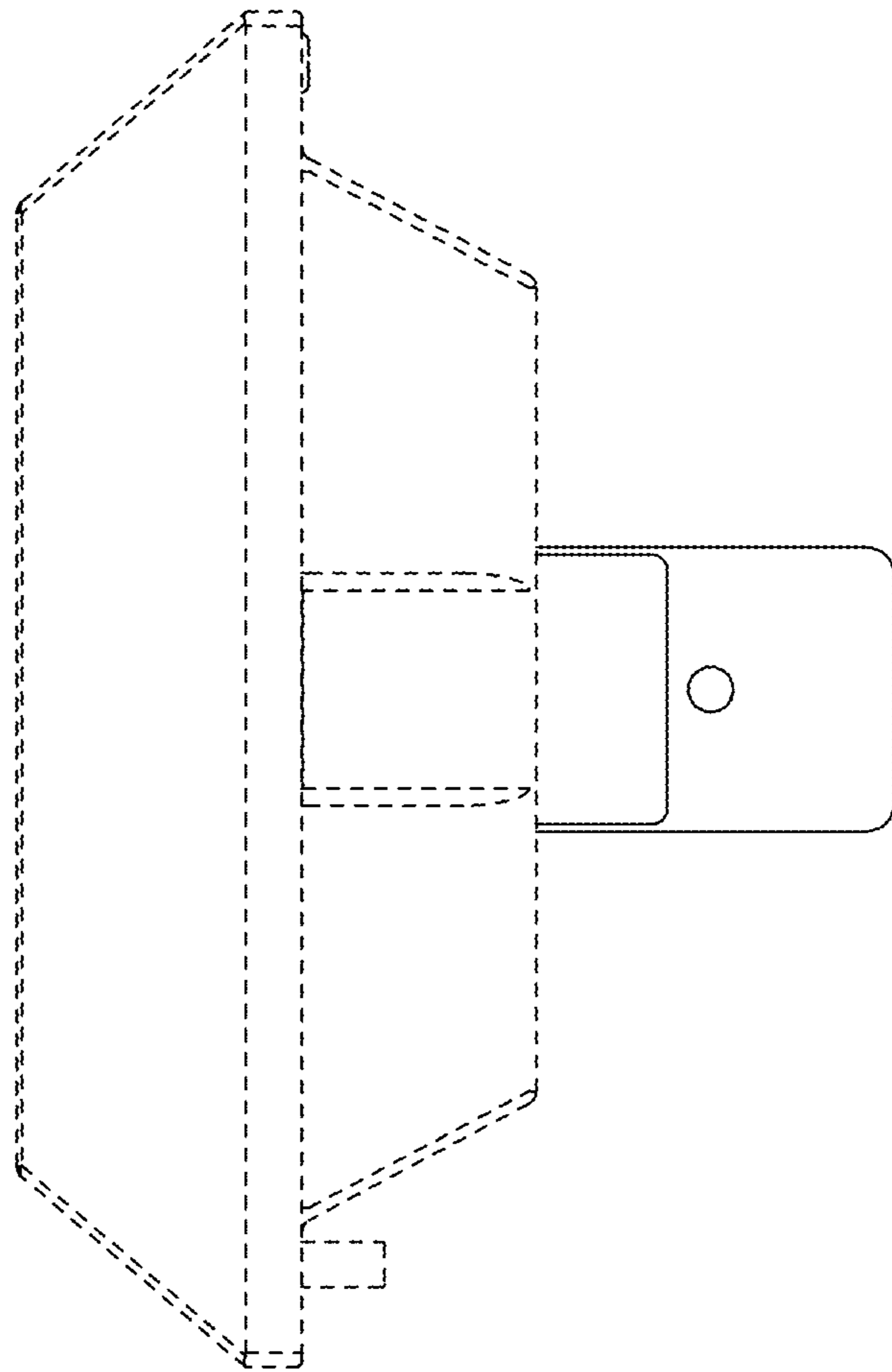


FIG. 13

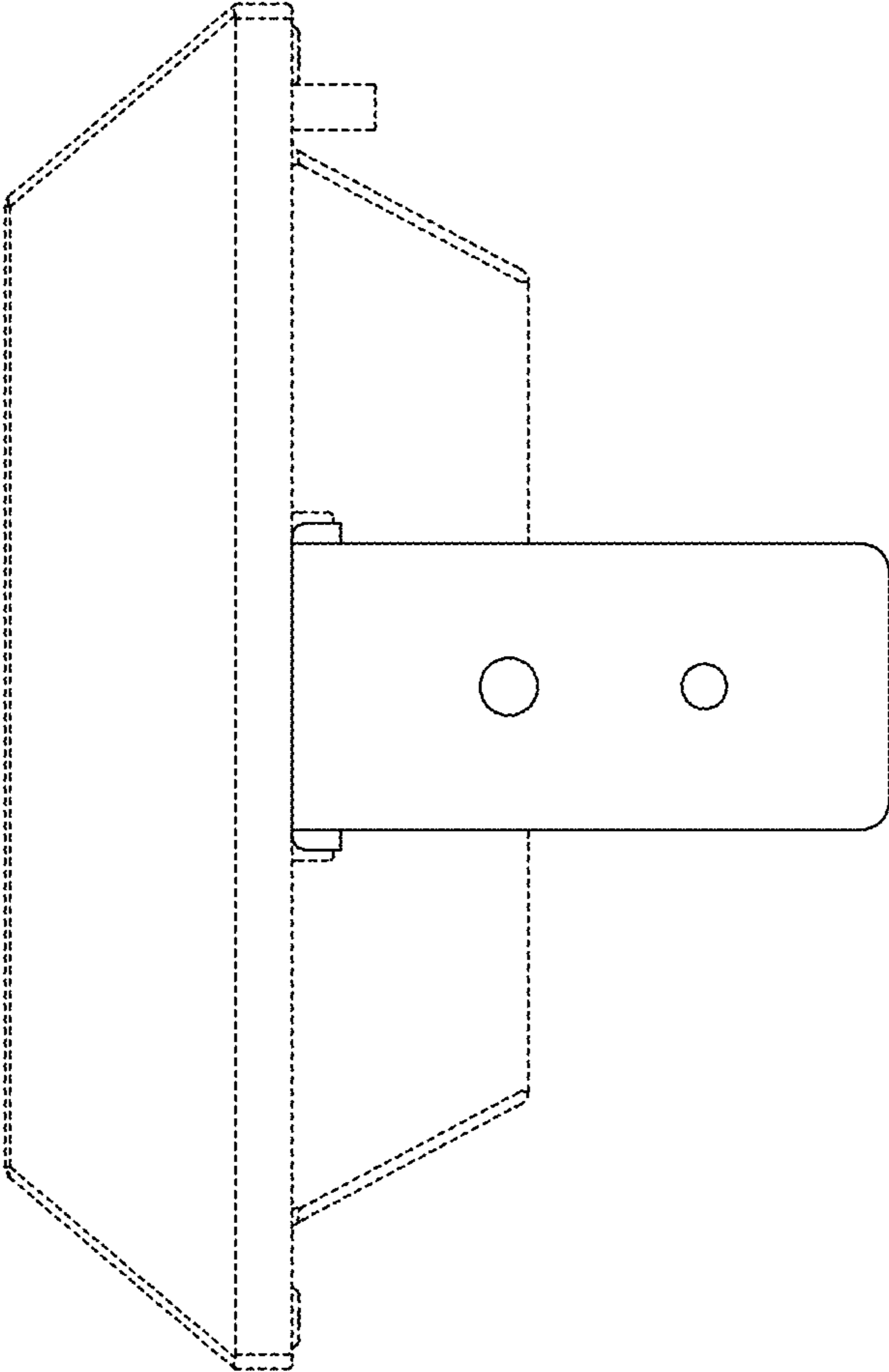


FIG. 14