



US00D808575S

(12) **United States Design Patent** (10) **Patent No.:** **US D808,575 S**  
**Tweel et al.** (45) **Date of Patent:** **\*\* Jan. 23, 2018**

(54) **LIGHT FIXTURE**

(71) Applicant: **ABL IP Holding LLC**, Decatur, GA (US)  
(72) Inventors: **Patrick M. Tweel**, Atlanta, GA (US); **Aaron Feldman**, Atlanta, GA (US); **Matthew Scott Hoch**, McDonough, GA (US); **John T. Hickok**, Social Circle, GA (US)  
(73) Assignee: **ABL IP Holding LLC**, Atlanta, GA (US)

(\*\*) Term: **15 Years**

(21) Appl. No.: **29/567,207**

(22) Filed: **Jun. 7, 2016**

(51) **LOC (11) Cl.** ..... **26-05**

(52) **U.S. Cl.**  
USPC ..... **D26/118**

(58) **Field of Classification Search**  
USPC ..... D7/416; D10/111-113, 115, 113.1; D11/144; D13/134, 158-178; D14/473, D14/230; D22/118; D25/126-135; D26/20, 27, 30, 31, 32, 25, 35, 36, 42, D26/46, 55, 69, 70, 71, 72, 74-77, 85, D26/113, 78, 80, 101, 110, 109, 118-120, D26/122, 123, 124, 127, 133, 134, 139; D99/99

CPC . A47F 3/001; A61L 9/20; A61B 90/30; B60Q 1/2696; B60Q 1/2615; F21S 8/032; F21S 8/033; F21S 8/00; F21S 8/086; F21S

(Continued)

(56) **References Cited**

**U.S. PATENT DOCUMENTS**

D130,570 S 12/1941 Borkland  
D397,819 S \* 9/1998 Thorton, Jr. .... D26/77

(Continued)

**OTHER PUBLICATIONS**

“2x2 2x4 LED Troffer” Nov. 29, 2015, led-wall-pack.com, site visited Jun. 20, 2017 <<http://www.led-wall-pack.com/indoor-led-lighting/led-volumetric-troffer-light/2017-newest-etl-dlc-v4-0-premium-led-ceiling.html>>.\*

(Continued)

*Primary Examiner* — Kevin K Rudzinski

*Assistant Examiner* — Paul D Bohannon

(74) *Attorney, Agent, or Firm* — Kilpatrick Townsend & Stockton, LLP

(57) **CLAIM**

The ornamental design for a light fixture, as shown and described.

**DESCRIPTION**

FIG. 1 is a bottom perspective view of the light fixture. FIG. 2 is a top perspective view of the light fixture of FIG. 1.

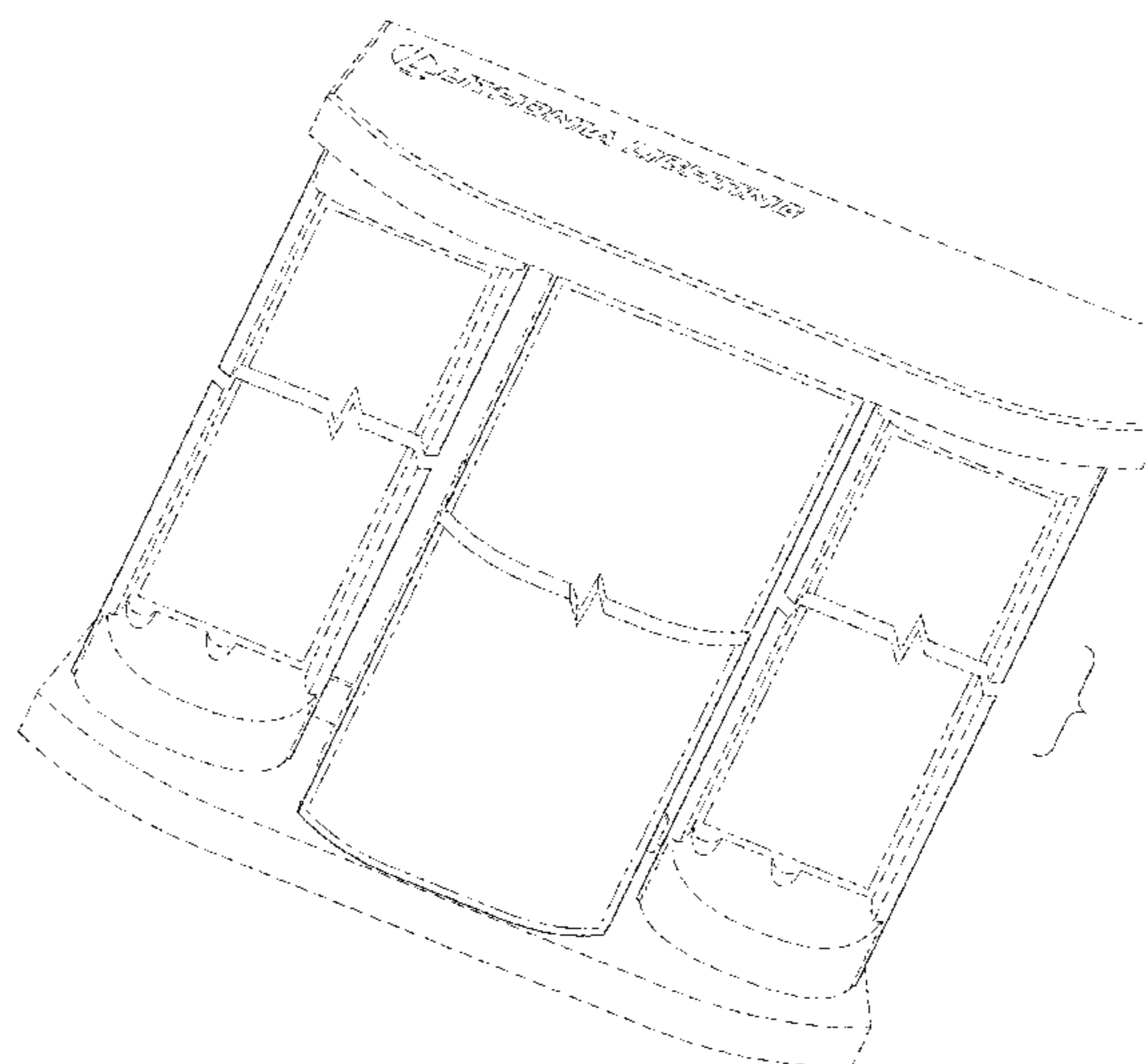
FIG. 3 is a right side elevation view of the light fixture of FIG. 1, it being understood that the left side elevation view is identical to the right side elevation view.

FIG. 4 is a front elevation view of the light fixture of FIG. 1, it being understood that the rear elevation view is identical to the front elevation view.

FIG. 5 is a top plan view of the light fixture of FIG. 1; and, FIG. 6 is a bottom plan view of the light fixture of FIG. 1.

Portions or features of the light fixture not shown in the drawings form no part of the claimed design. The evenly dotted broken lines in the drawings illustrate portions of the light fixture that form no part of the claimed design. The dash-dot-dot-dash broken lines in the drawings represent borders that form no part of the claimed design. The dash-dot-dash-dot broken lines in the drawings represent symbolic breaks along the fixture length. The appearance of any portion of the light fixture between these breaks forms no part of the claimed design.

**1 Claim, 5 Drawing Sheets**



(58) **Field of Classification Search**

CPC .... 8/043; F21S 8/046; F21S 8/04; F21S 8/02;  
 F21S 8/026; F21S 48/215; F21S 2/005;  
 F21S 2/00; F21S 4/00; F21K 9/00; F21K  
 9/135; F21K 9/27; F21K 9/64; F21V  
 17/10; F21V 29/74; F21V 29/83; F21V  
 29/76; F21V 29/505; F21V 7/005; F21V  
 15/01; F21V 23/026; F21V 23/003; F21V  
 7/09; F21V 5/01; F21V 5/04; F21V  
 21/005; F21V 3/0445; G02B 6/0083;  
 G02B 5/0257; G02B 1/046; G09F 13/14;  
 H05B 33/0845; H05B 33/0842

See application file for complete search history.

(56) **References Cited**

U.S. PATENT DOCUMENTS

5,988,829	A *	11/1999	Holder	.....	F21S 8/02 362/147
D496,121	S *	9/2004	Santoro	.....	D26/74
D561,383	S *	2/2008	Hukle	.....	D26/120
D595,894	S *	7/2009	Verfuerth	.....	D26/122
D604,000	S *	11/2009	Fowler, Jr.	.....	D26/76
7,679,281	B2	3/2010	Kim et al.		
7,722,220	B2	5/2010	Van De Ven		
D673,324	S *	12/2012	Mayfield, III	.....	D26/120
D678,597	S *	3/2013	Lehman	.....	D26/120
8,506,121	B2	8/2013	Van Laanen et al.		
D696,449	S *	12/2013	Boyer	.....	D26/74
D701,341	S	3/2014	Mayfield, III et al.		
D703,858	S	4/2014	Miller		
D729,435	S	5/2015	Amdt et al.		
D739,593	S *	9/2015	Mayfield, III	.....	D26/118
D739,977	S *	9/2015	Boyer	.....	D26/74
D762,909	S *	8/2016	Shi	.....	D26/76
9,416,954	B2	8/2016	Miller		
D767,193	S *	9/2016	Jung	.....	D26/74
D784,594	S *	4/2017	Stolte	.....	D26/76
D786,471	S	5/2017	Snell et al.		
2012/0212956	A1 *	8/2012	Chen	.....	F21V 7/005 362/235
2013/0063948	A1 *	3/2013	Ishii	.....	F21S 8/026 362/294
2013/0294072	A1	11/2013	Miller		
2014/0313719	A1	10/2014	Wang et al.		
2015/0016108	A1 *	1/2015	Howe	.....	F21V 29/505 362/235
2015/0159839	A1 *	6/2015	Howe	.....	F21V 3/0445 362/311.01
2015/0345724	A1	12/2015	Leadford et al.		

OTHER PUBLICATIONS

“Get more from the top: Experience unmatched energy savings in high and low bay environments with Albeo™ LED Luminaires,” Current powered by GE, 2016, 8 pages.

“Albeo™ LED Luminaire Heavy Industrial High Bay & Low Bay Lighting (ABRI—Series) Brochure,” GE Lighting, Retrieved from the internet: [www.gelighting.com](http://www.gelighting.com), 2016, 6 pages.

“Albeo™ LED Luminaire Heavy Industrial High Bay & Low Bay Lighting (ABRI—Series),” GE Lighting, Retrieved from the internet: [www.gelighting.com](http://www.gelighting.com), 2016, 2 pages.

“Albeo™ LED Luminaire Heavy Industrial High Bay Lighting (ABRI—Series),” GE Lighting, Installation Guide, 2014, 4 pages.

“Announcing the Albeo™ ABR1 Heavy Industrial High Bay from GE.,” GE Lighting, Nov. 20, 2015, 2 pages.

“Big Ass Light High Bay LED,” Retrieved from the internet: [bigasslight.com.au](http://bigasslight.com.au), Jul. 6, 2015, 3 pages.

“Enjoy flexibility and savings along with quality illumination; An economical LED high bay,” Philips Lighting, 2015, 8 pages.

“Metalux Industrial LED Luminaires,” Eaton Powering Business Worldwide, Retrieved from the internet: <http://www.cooperindustries.com/content/dam/public/lighting/products/documents/metalux/brochures/BR507005EN-Mx-IndLED-bro.pdf>, 51 pages.

“Made to Order: Imagine lighting as versatile as the industries it serves.,” Industrial Solutions, Believed to be available at least as early as Feb. 1, 2015, 15 pages.

“The Big Ass Inverted 20K LED,” Retrieved from the internet: [bigasslight.com](http://bigasslight.com), Jun. 24, 2015, 2 pages.

“Low Profile Channel LED Fixture or Retrofit,” Industrial Lighting Products (13 pages).

“Albeo™ LED Luminaire High Bay Lighting (ABV—Series),” GE Lighting, Feb. 6, 2016 (6 pages).

Albeo™ LED Luminaire Modular High & Low Bay Lighting (ABHX—Series), GE Lighting Solutions, May 1, 2013 (8 pages).

“HBLed High Bay LED Luminaire,” Metalux, Eaton Powering Business Worldwide, 2015 (4 pages).

“Lusio® Essential Aisle Lighter Performance Line,” Flex, [www.flextronics.com/lighting](http://www.flextronics.com/lighting), 2015 (2 pages).

“Lusio® Essential Series Aisle Lighter,” Flextronics X, [www.flextronics.com/lighting](http://www.flextronics.com/lighting), 2014 (2 pages).

“Award Winning of High Efficacy LED Fixtures for High and Medium Bay Applications,” Flextronics X, Product Guide, Lusio® Essentials Series v 2.1, 2014 (60 pages).

“LED Features and Specification,” Orion ISON™ High Bay, [orionlighting.com](http://orionlighting.com), 2015 (2 pages).

Notice of Allowance for U.S. Appl. No. 29/565,090, dated Jun. 9, 2017, 10 pages.

Restriction Requirement for U.S. Appl. No. 29/567,476, dated Jun. 27, 2017, 8 pages.

Restriction Requirement for U.S. Appl. No. 29/561,794, dated Aug. 1, 2017, 13 pages.

Restriction Requirement for U.S. Appl. No. 29/561,838, dated Aug. 1, 2017, 13 pages.

Non-Final Office Action for U.S. Appl. No. 29/567,476, dated Aug. 10, 2017, 7 pages.

\* cited by examiner

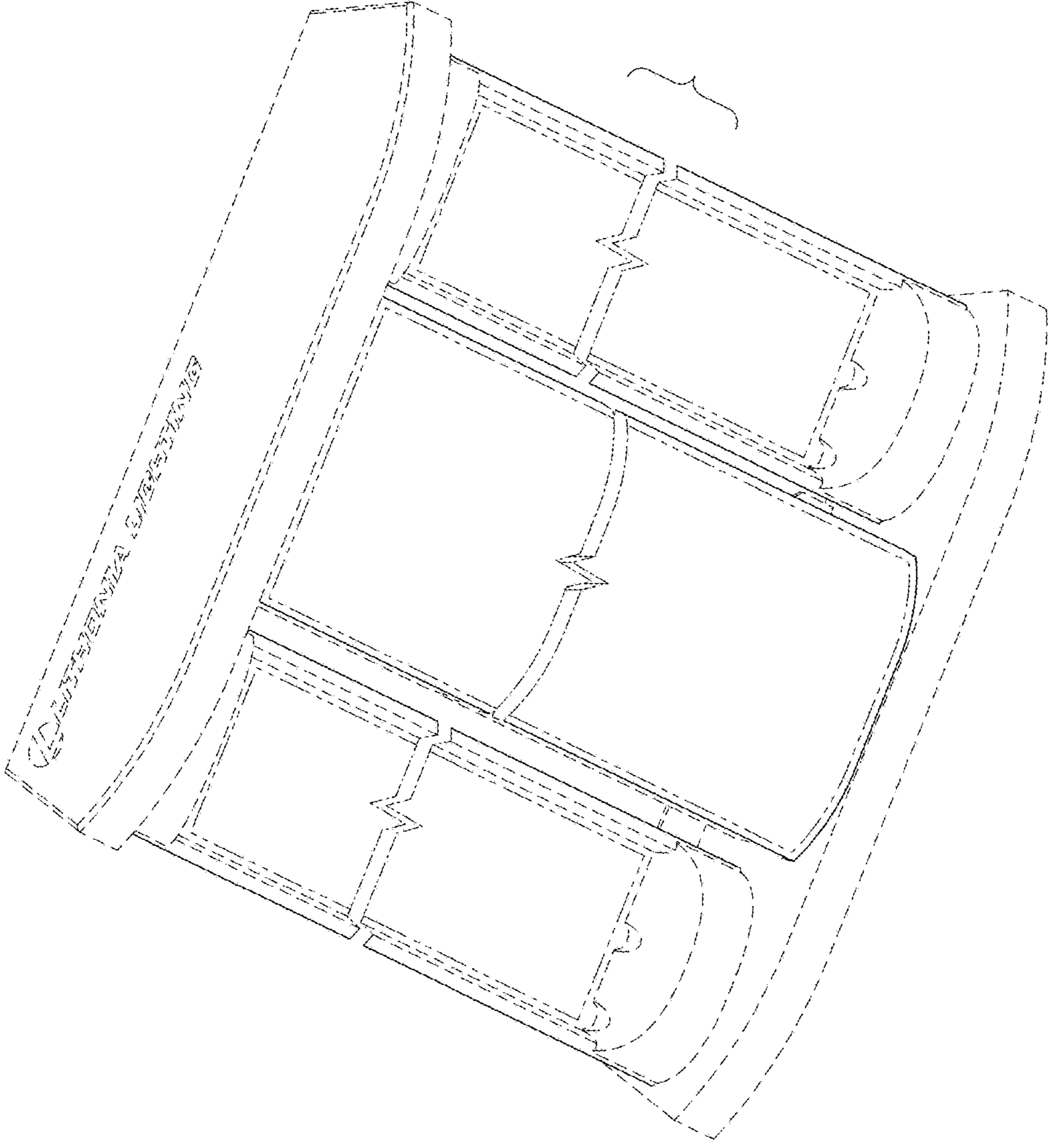


FIG. 1

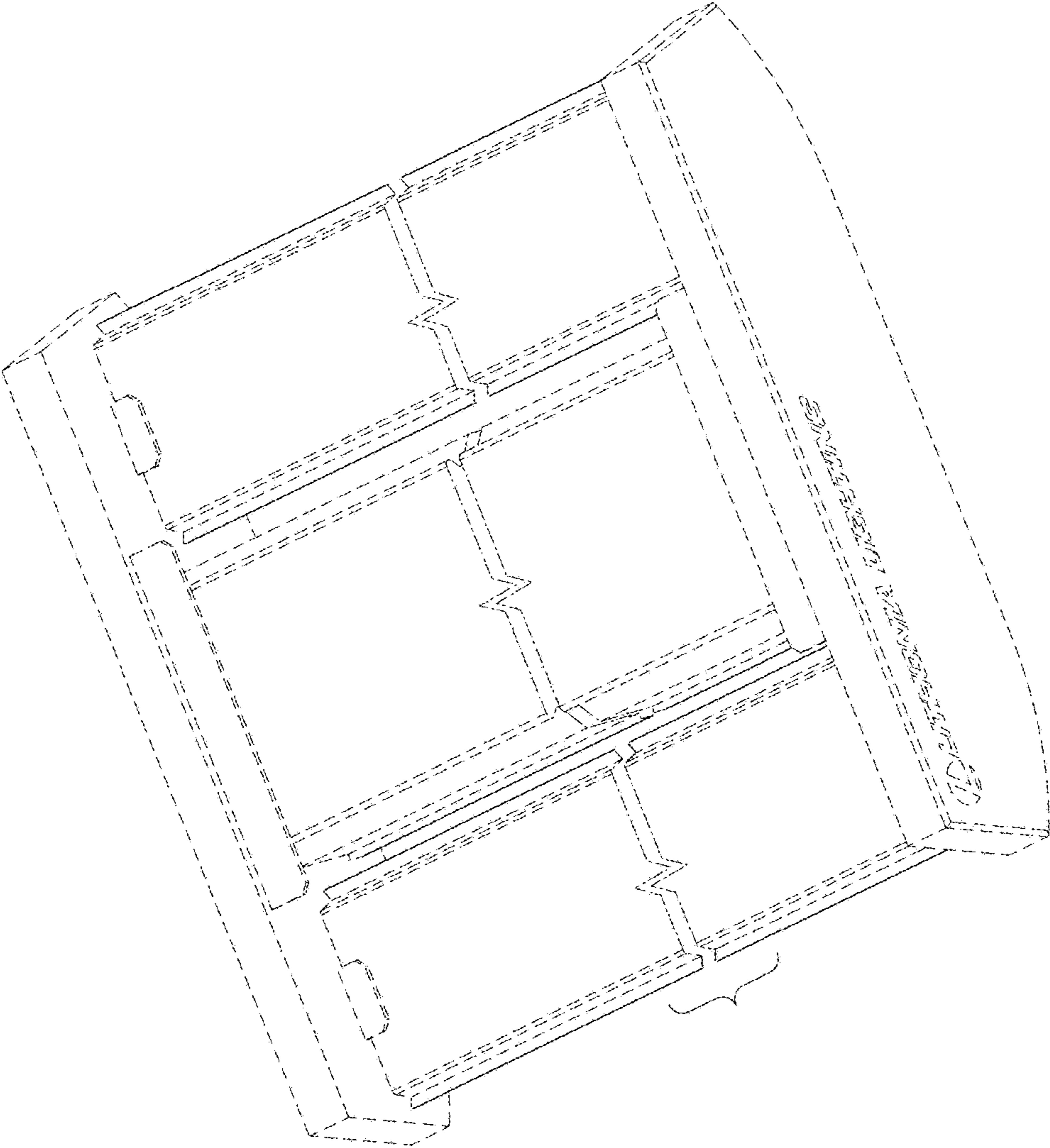


FIG. 2

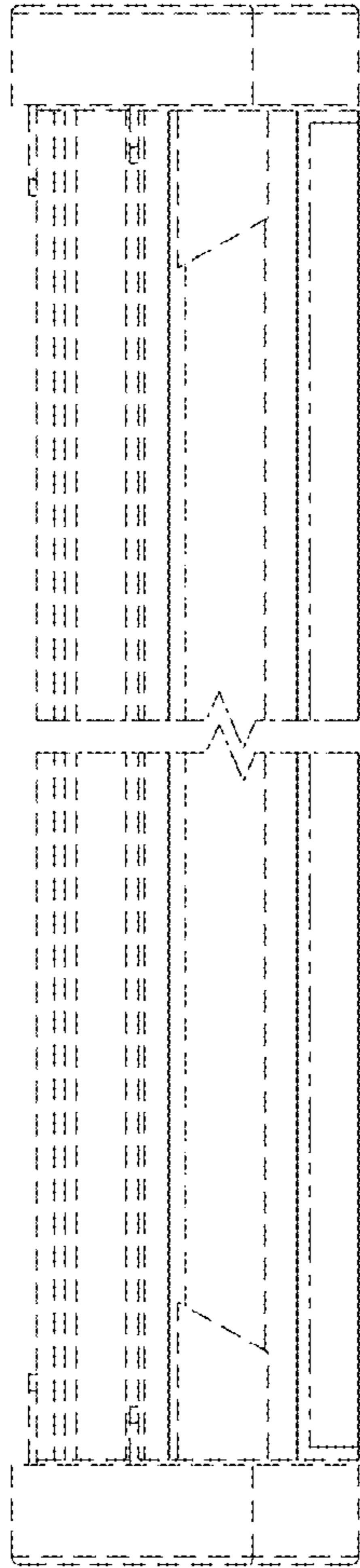


FIG. 3

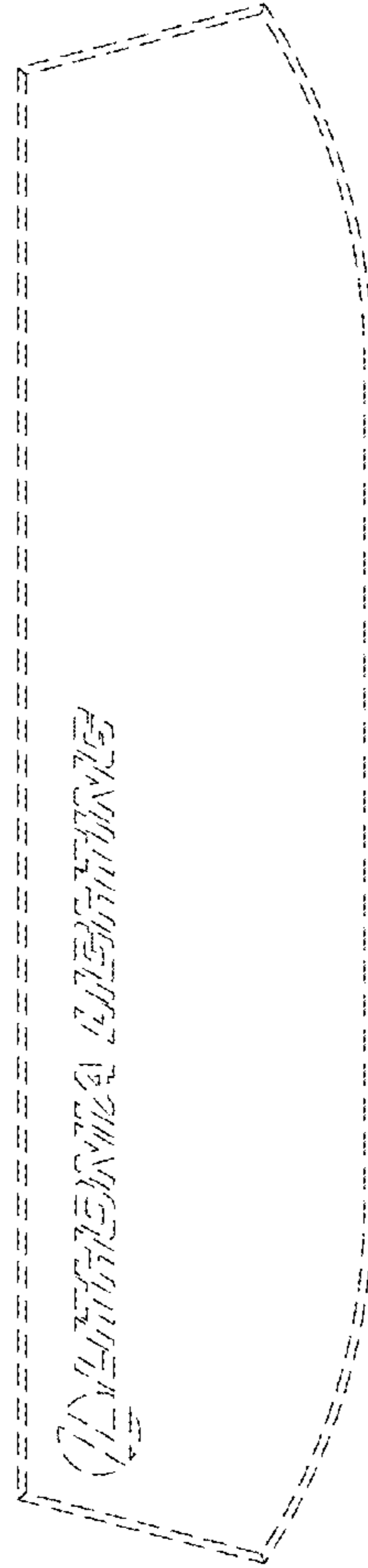


FIG. 4

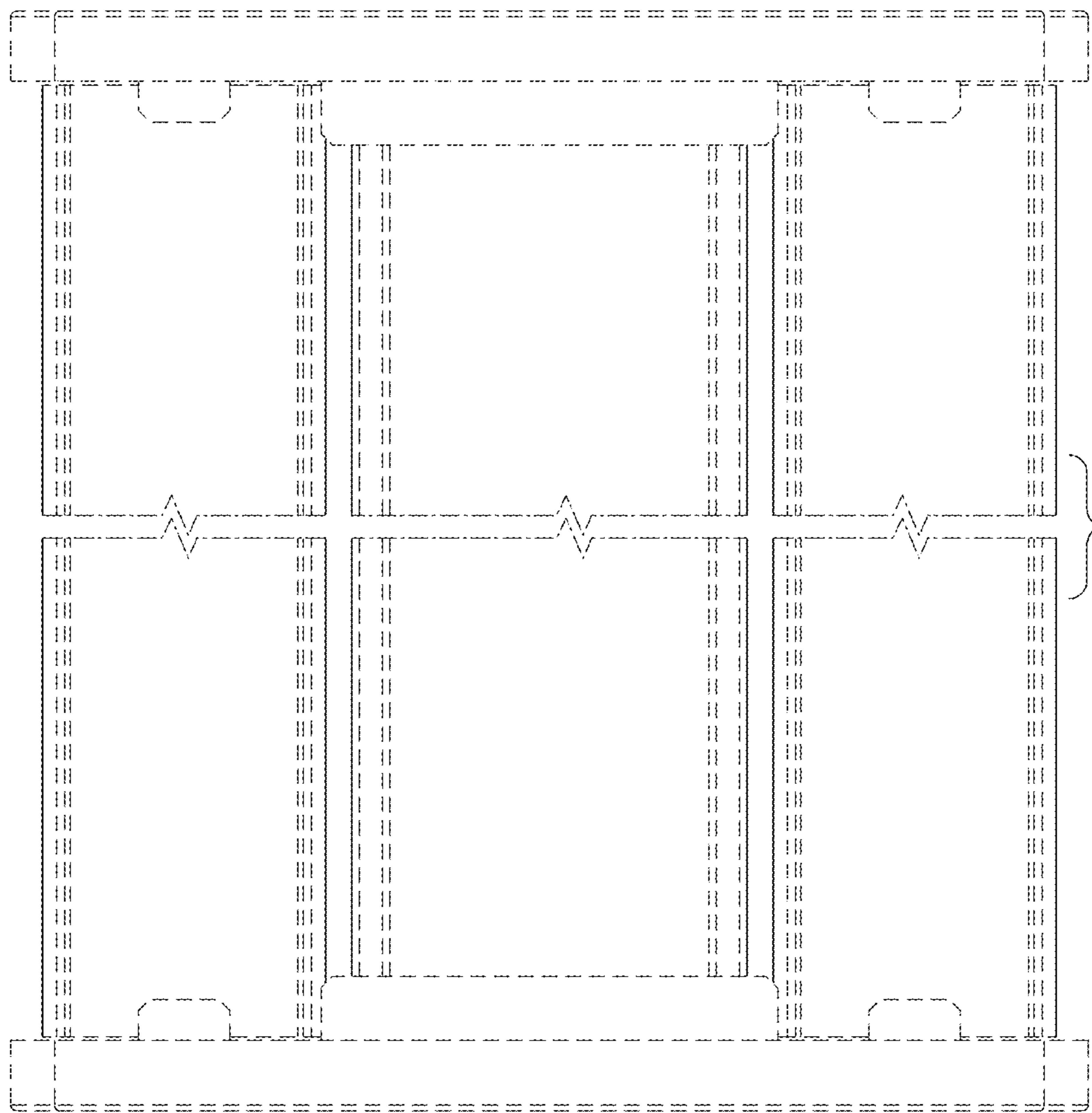


FIG. 5

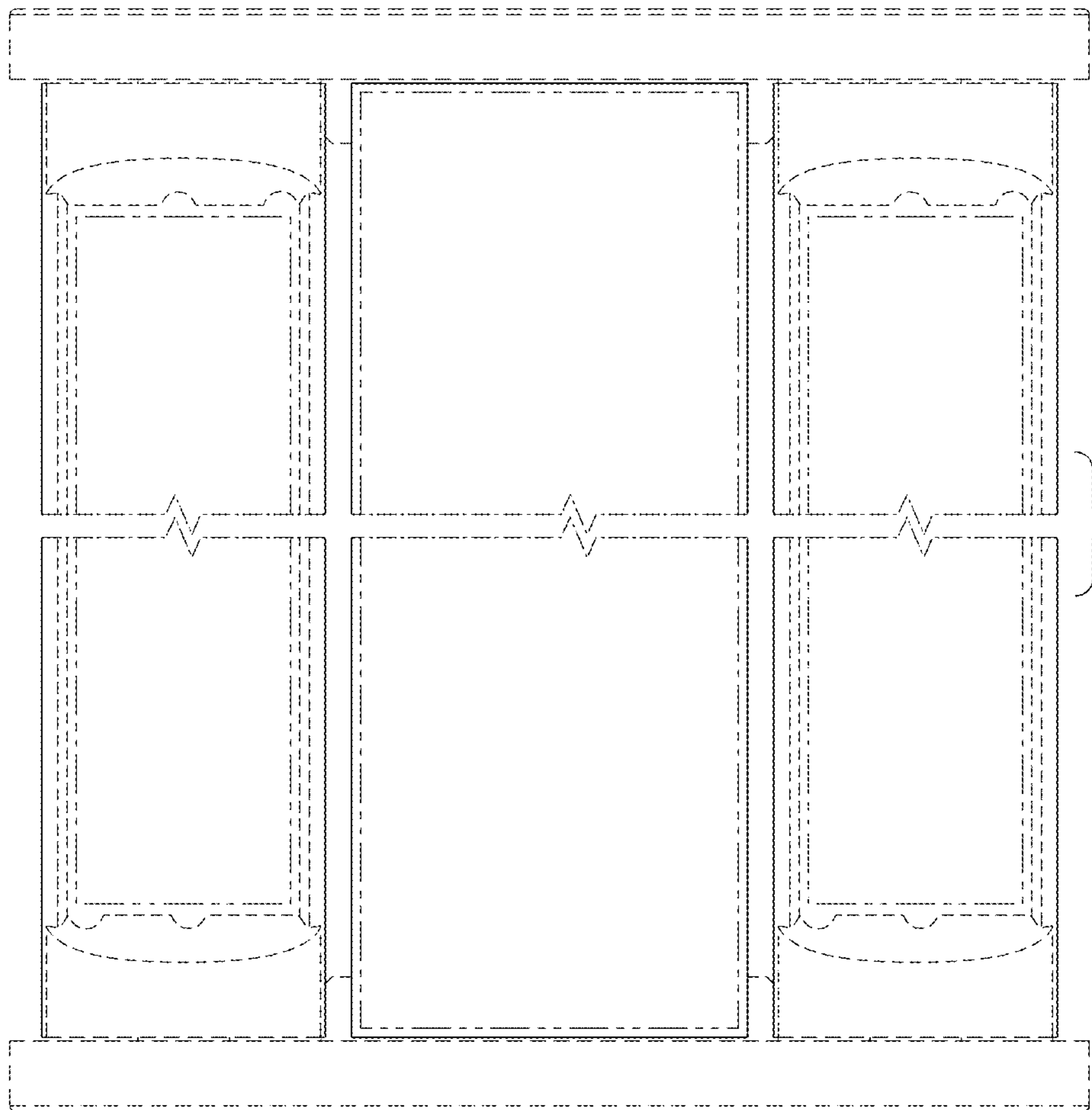


FIG. 6