



US00D808572S

(12) **United States Design Patent**
Zhang

(10) **Patent No.:** **US D808,572 S**

(45) **Date of Patent:** **** Jan. 23, 2018**

(54) **HALO LAMP**

D509,618 S * 9/2005 Baarman D26/106
D681,258 S * 4/2013 Chiang D26/106
D716,993 S * 11/2014 Rashid D26/93

(71) Applicant: **Jinliang Zhang**, Baldwin Park, CA
(US)

* cited by examiner

(72) Inventor: **Jinliang Zhang**, Baldwin Park, CA
(US)

Primary Examiner — Brian N. Vinson
(74) *Attorney, Agent, or Firm* — Che-Yang Chen; Law
Offices of Scott Warmuth

(**) Term: **15 Years**

(21) Appl. No.: **29/583,086**

(22) Filed: **Nov. 2, 2016**

(51) **LOC (11) Cl.** **26-03**

(52) **U.S. Cl.**
USPC **D26/106**

(58) **Field of Classification Search**
USPC D26/1, 24, 67, 93–94, 101, 104–110,
D26/113, 118
CPC F21K 5/023; F21S 8/021; F21S 48/142;
F21S 9/02; F21V 33/006; F21Y 2101/02
See application file for complete search history.

(56) **References Cited**

U.S. PATENT DOCUMENTS

D240,761 S * 7/1976 Medford et al. D26/106
D364,241 S * 11/1995 Jaynes D26/106

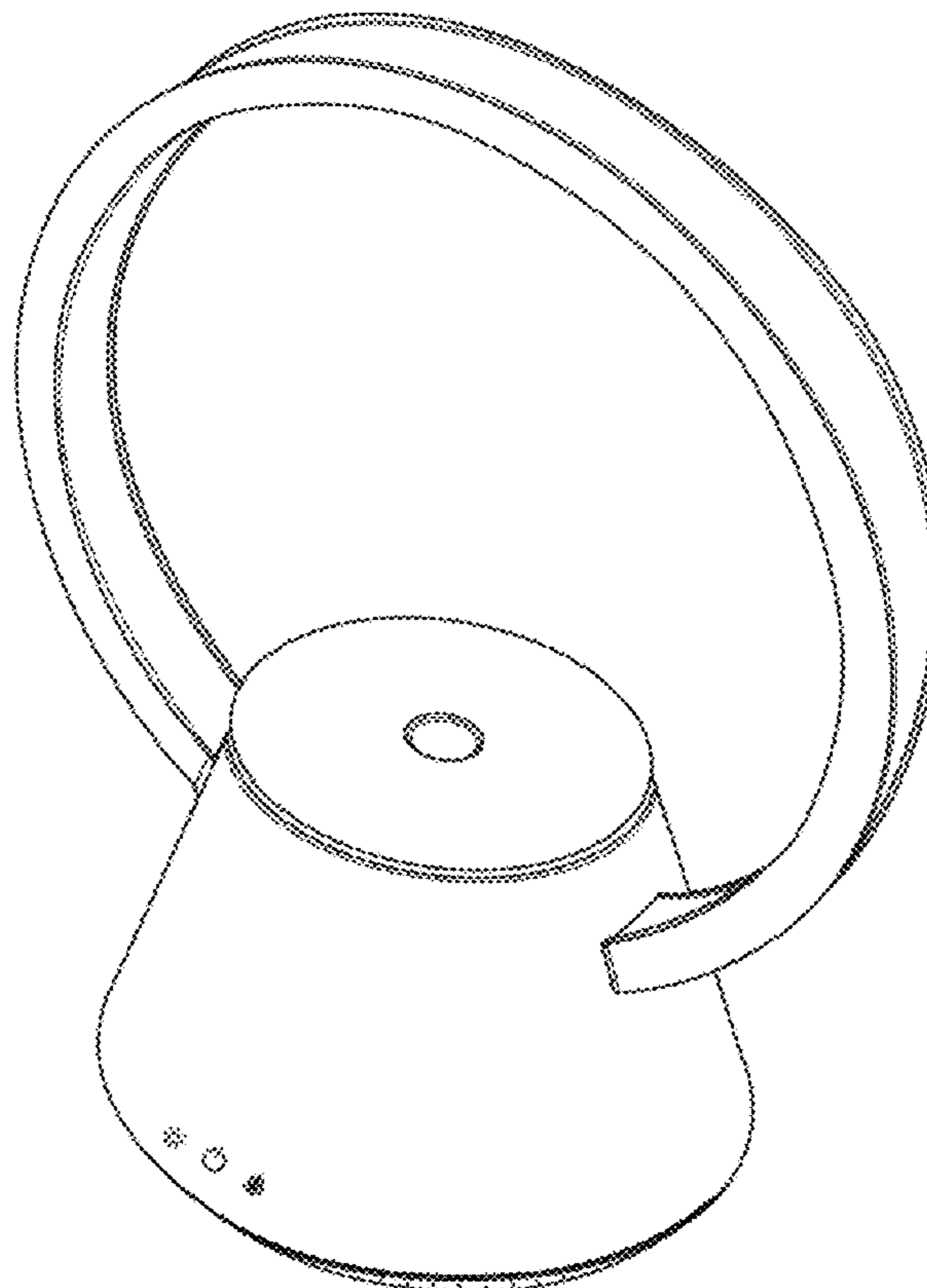
(57) **CLAIM**

The ornamental design for a halo lamp, as shown and described.

DESCRIPTION

FIG. 1 is a perspective view of a halo lamp showing my new design;
FIG. 2 is a front elevational view thereof;
FIG. 3 is a rear elevational view thereof;
FIG. 4 is a left side elevational view thereof;
FIG. 5 is a right side elevational view thereof;
FIG. 6 is a top plan view thereof; and,
FIG. 7 is a bottom plan view thereof.

1 Claim, 7 Drawing Sheets



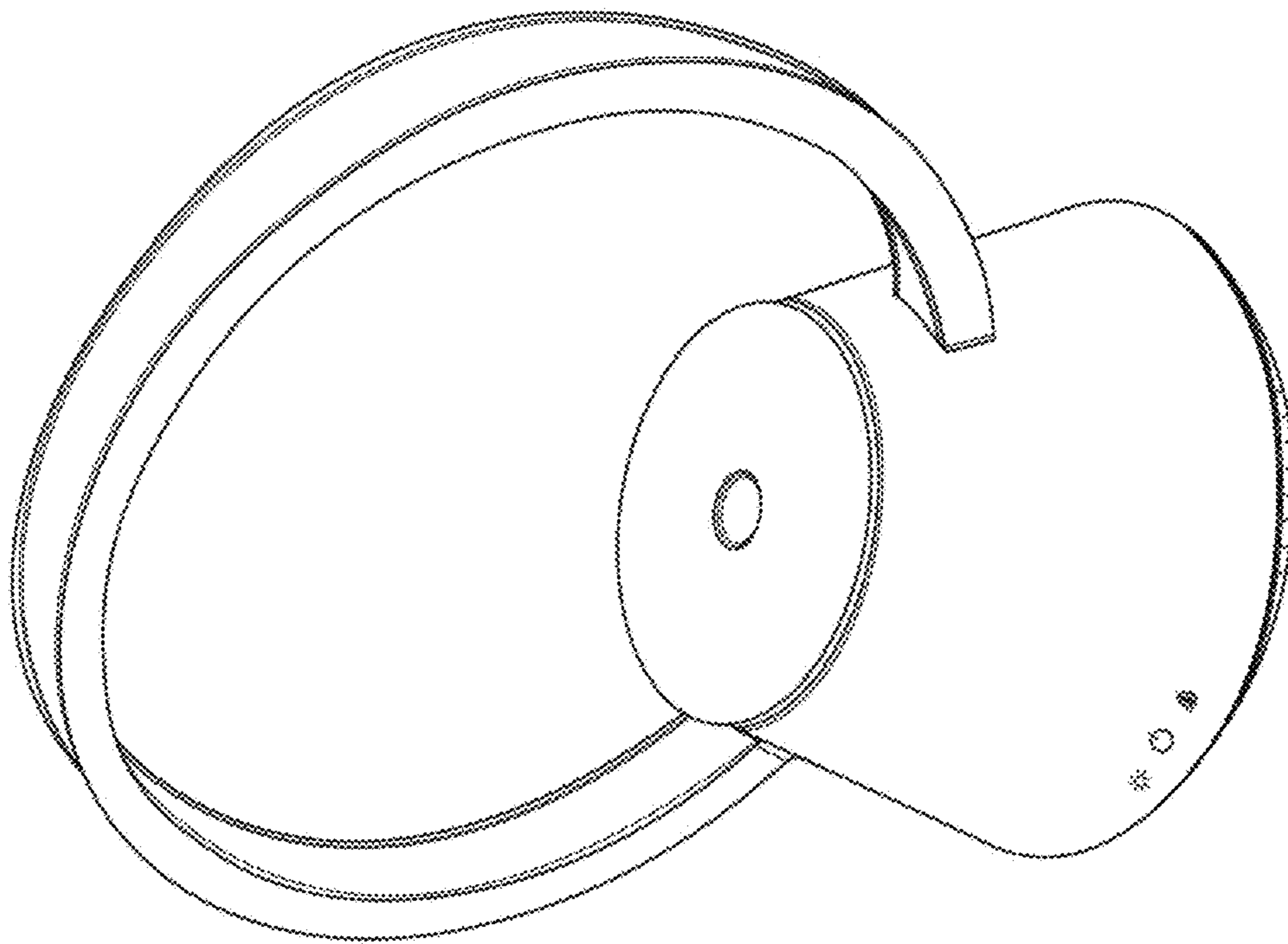


FIG. 1

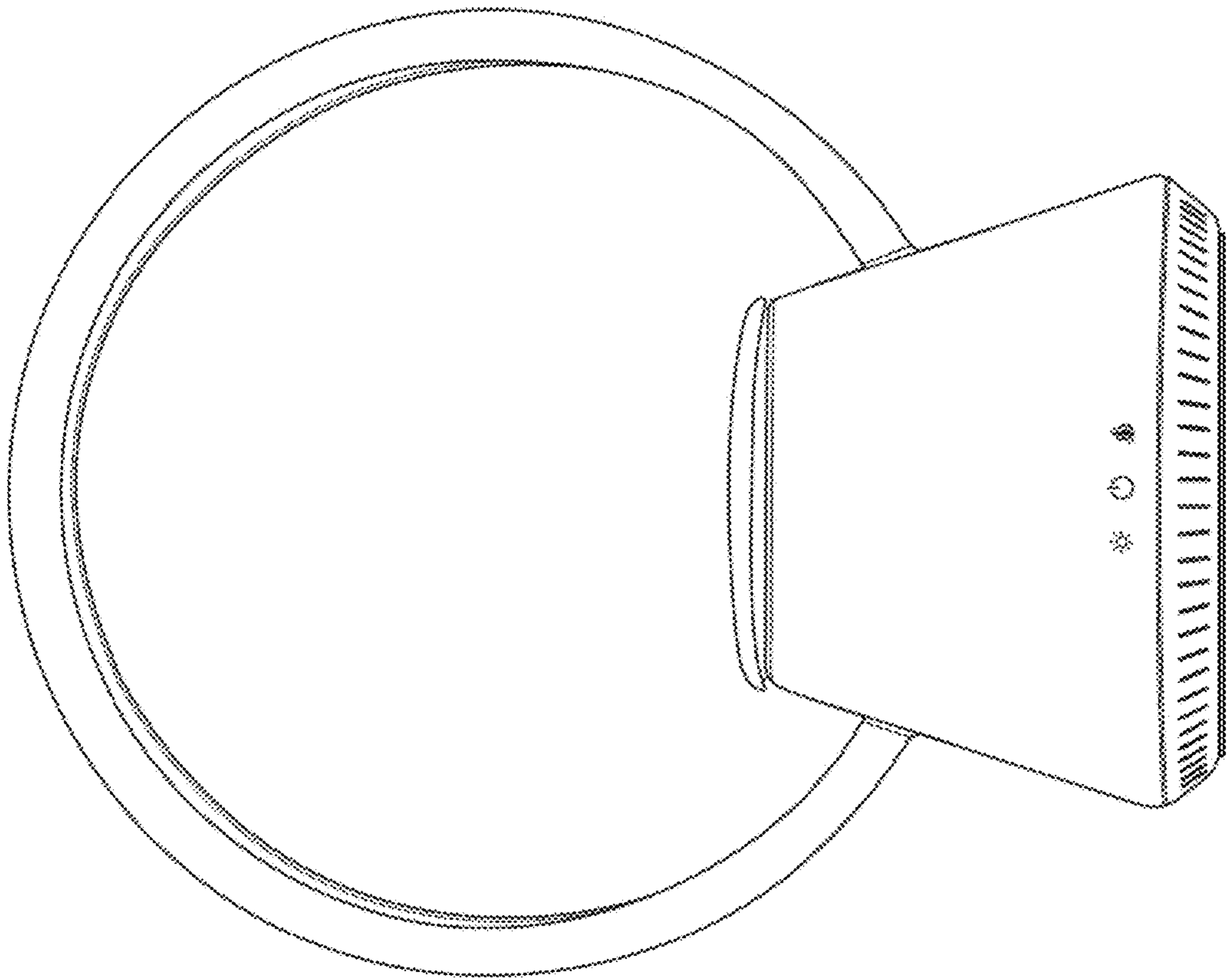


FIG. 2

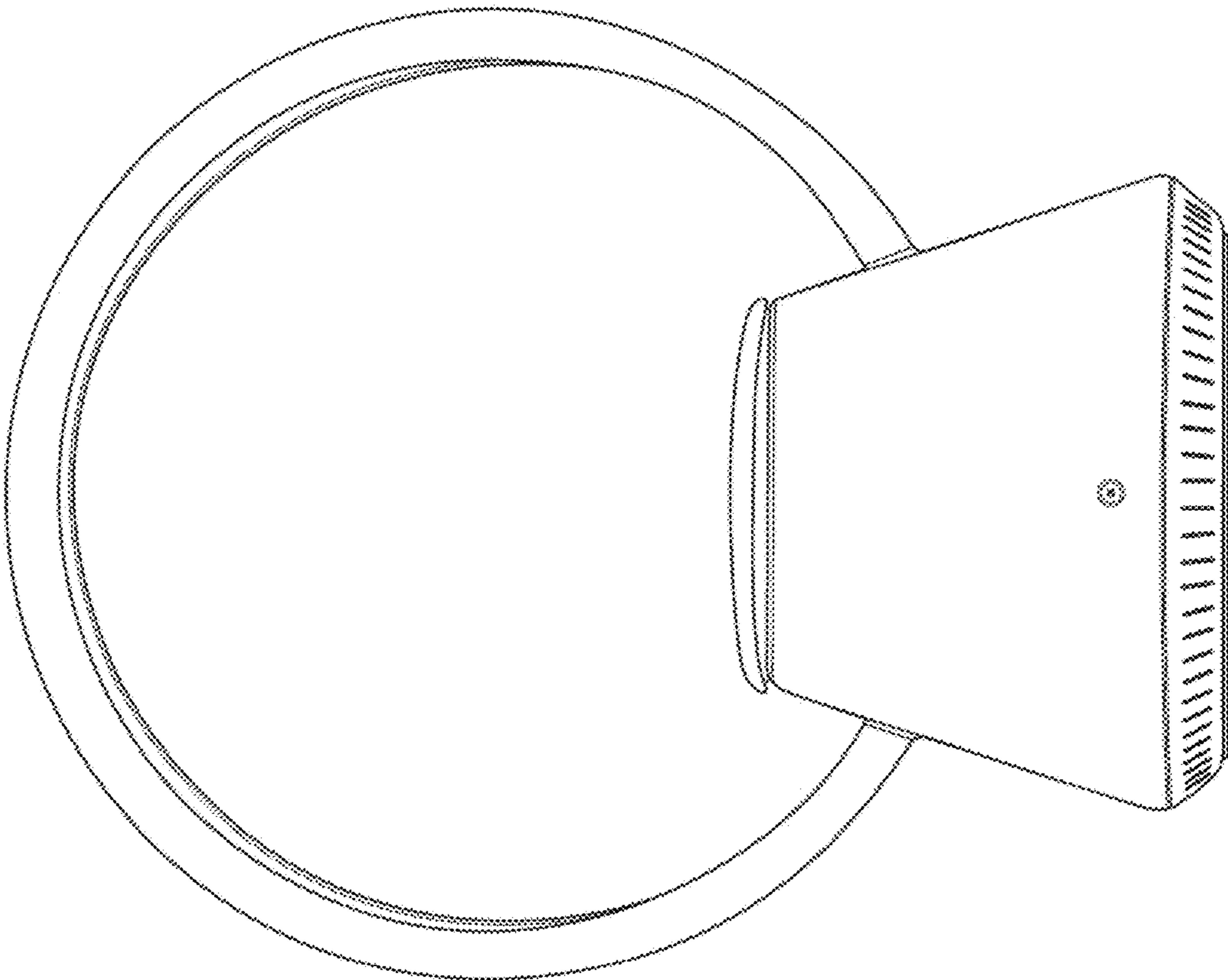


FIG. 3

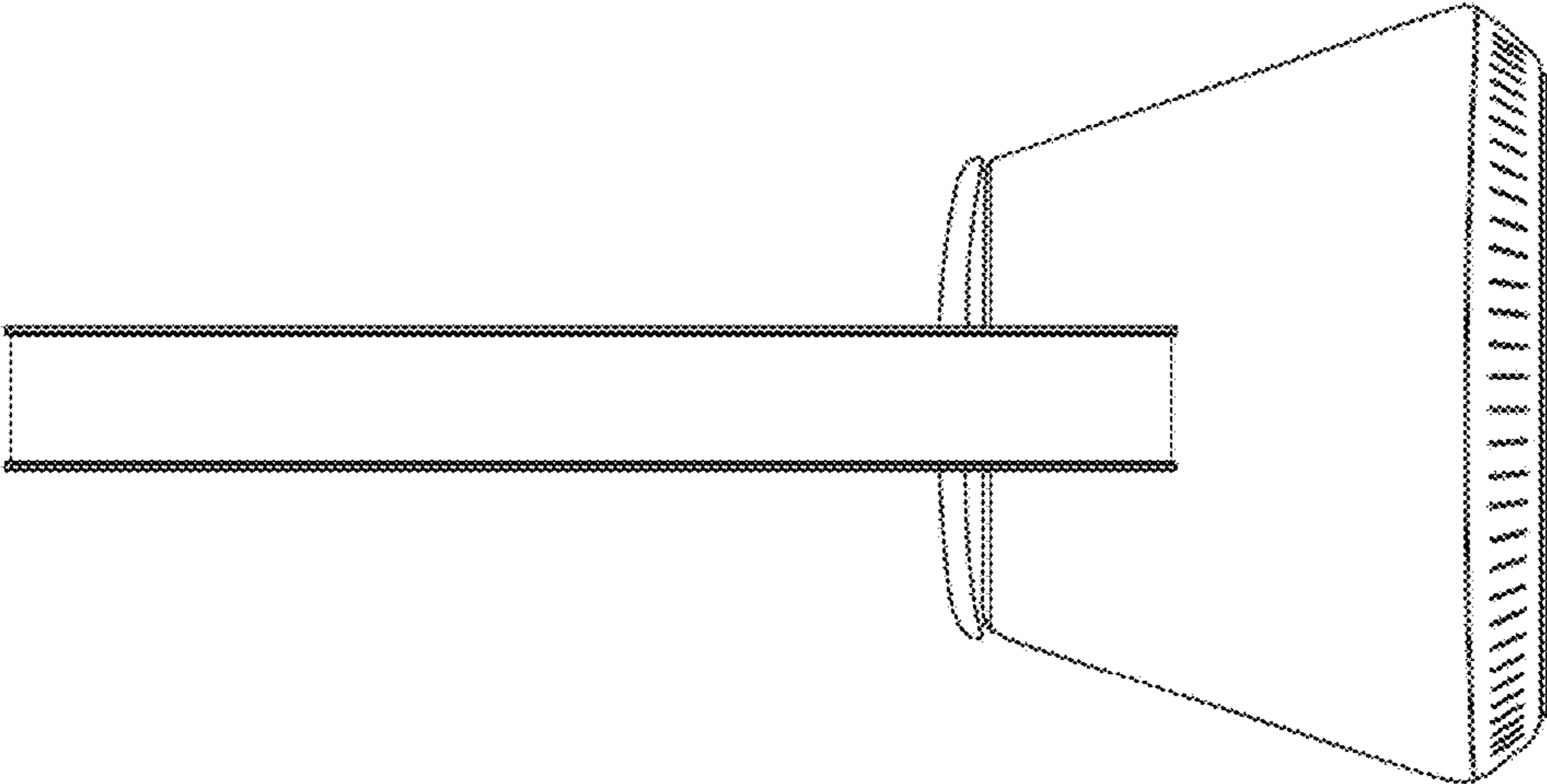


FIG. 4

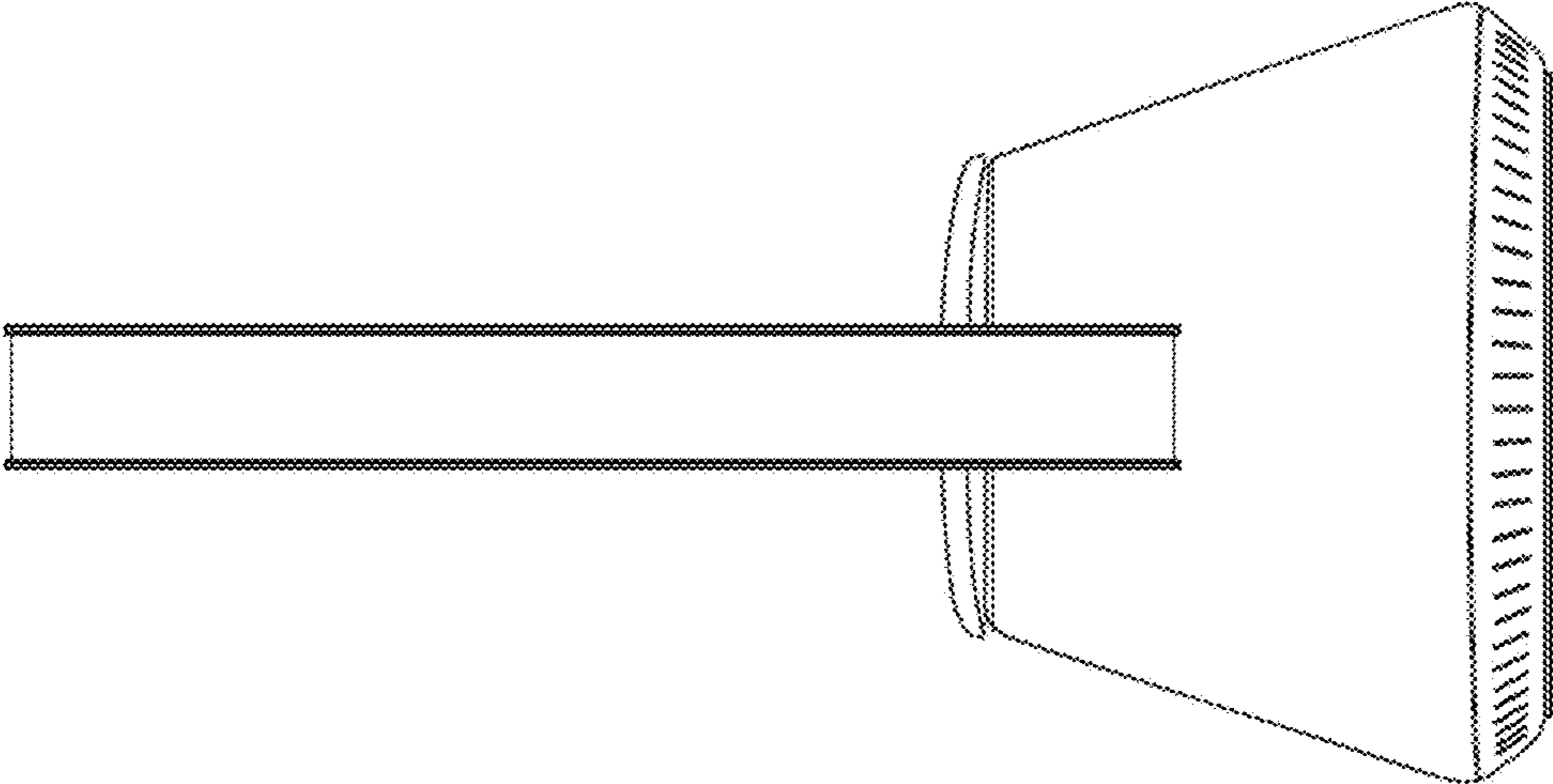


FIG. 5

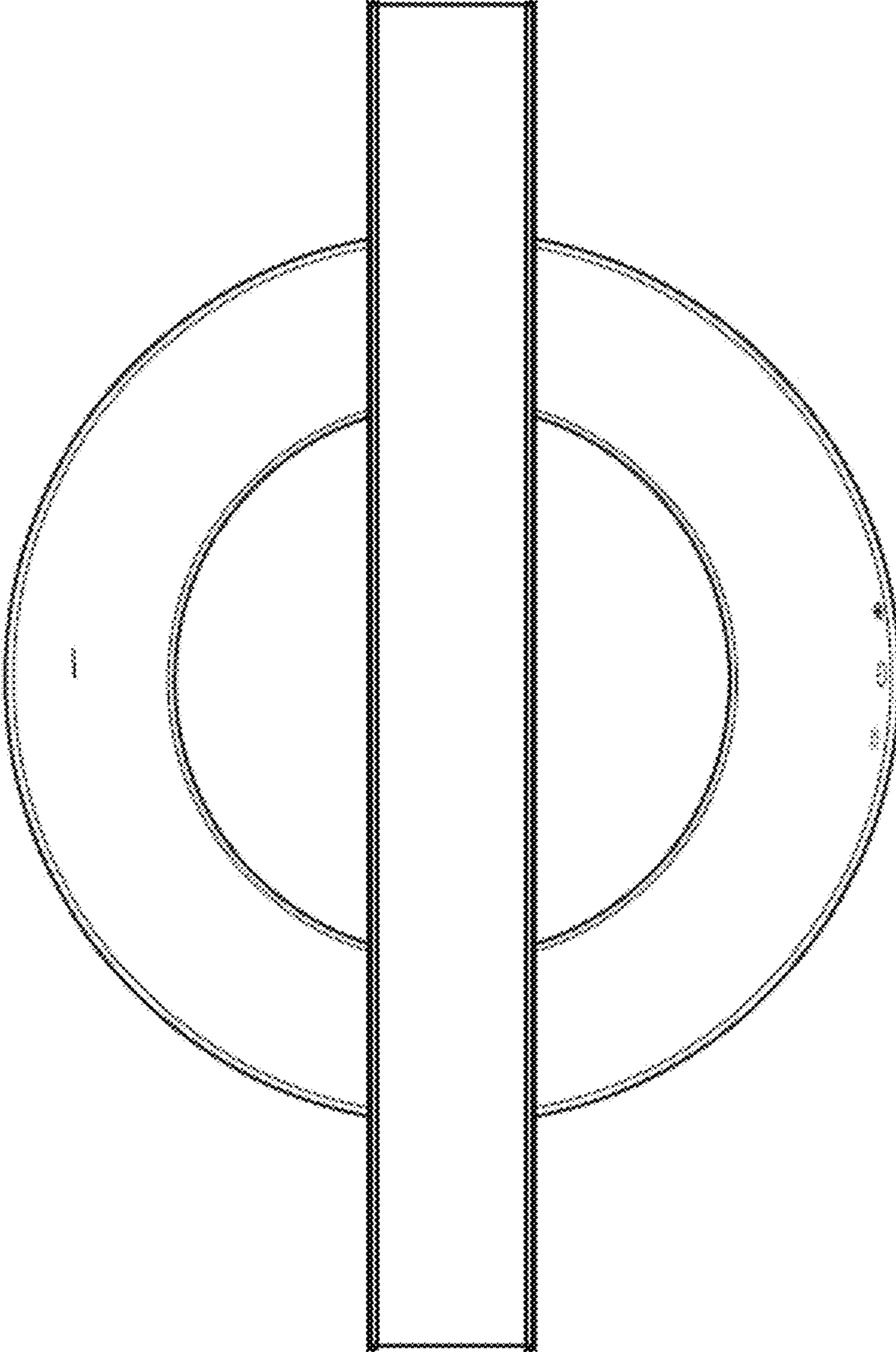


FIG. 6

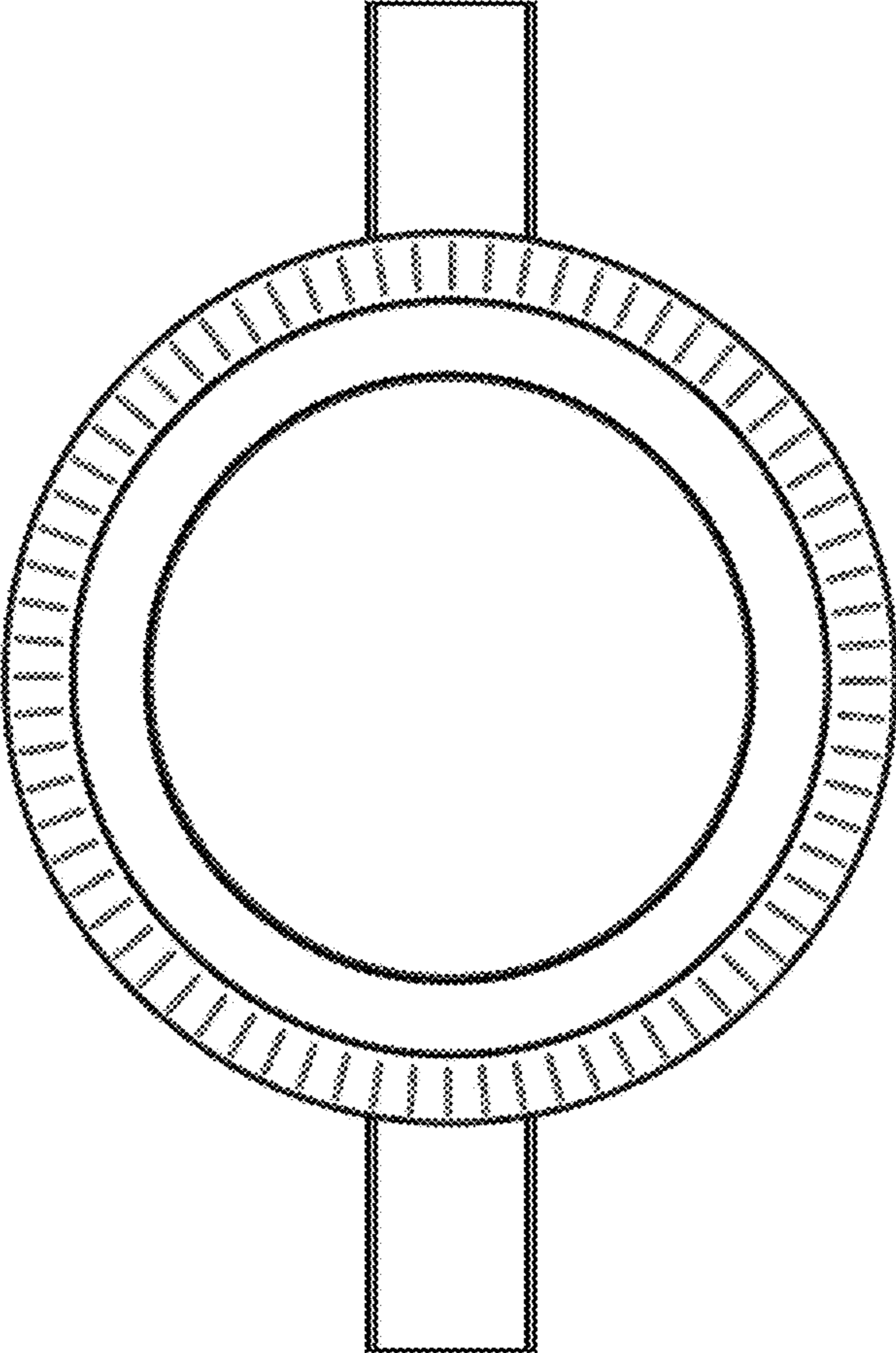


FIG. 7