



US00D808571S

(12) **United States Design Patent** (10) **Patent No.:** **US D808,571 S**
Wells (45) **Date of Patent:** **** Jan. 23, 2018**

(54) **LAMP**
(71) Applicant: **Steven Bradley Wells**, Fulton, MS (US)
(72) Inventor: **Steven Bradley Wells**, Fulton, MS (US)
(**) Term: **15 Years**

D674,956 S * 1/2013 Sanborn D26/107
D694,055 S * 11/2013 Hirst D7/306
D719,291 S * 12/2014 Thomas D26/94
D792,013 S * 7/2017 McHugh D26/94

* cited by examiner

Primary Examiner — Brian N. Vinson
(74) *Attorney, Agent, or Firm* — Dunlap Bennett & Ludwig PLLC; Brendan E. Squire

(21) Appl. No.: **29/575,089**
(22) Filed: **Aug. 22, 2016**

(51) **LOC (11) Cl.** **26-03**
(52) **U.S. Cl.**

USPC **D26/94**
(58) **Field of Classification Search**
USPC D26/83, 94, 107, 130; D7/300, 313, 306
CPC F21S 13/12; F21V 15/01; F21V 33/00;
F21V 21/145
See application file for complete search history.

(56) **References Cited**

U.S. PATENT DOCUMENTS

D48,279 S * 12/1915 Guth D26/83
D544,996 S * 6/2007 Graves D26/130

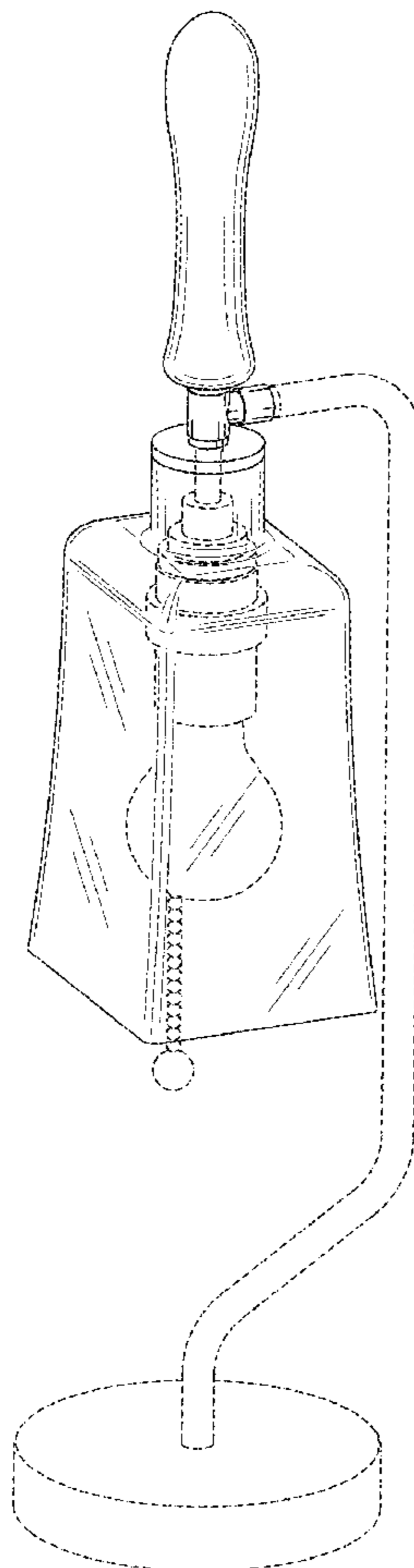
(57) **CLAIM**

The ornamental design for a lamp, as shown and described.

DESCRIPTION

FIG. 1 is a perspective view of the lamp showing my new design;
FIG. 2 is a front view thereof;
FIG. 3 is a left side view thereof;
FIG. 4 is a rear view thereof;
FIG. 5 is a top view thereof;
FIG. 6 is a bottom view thereof; and,
FIG. 7 is a the right side view thereof.
The broken lines shown in the drawings illustrate portions of the lamp that form no part of the claimed design.

1 Claim, 4 Drawing Sheets



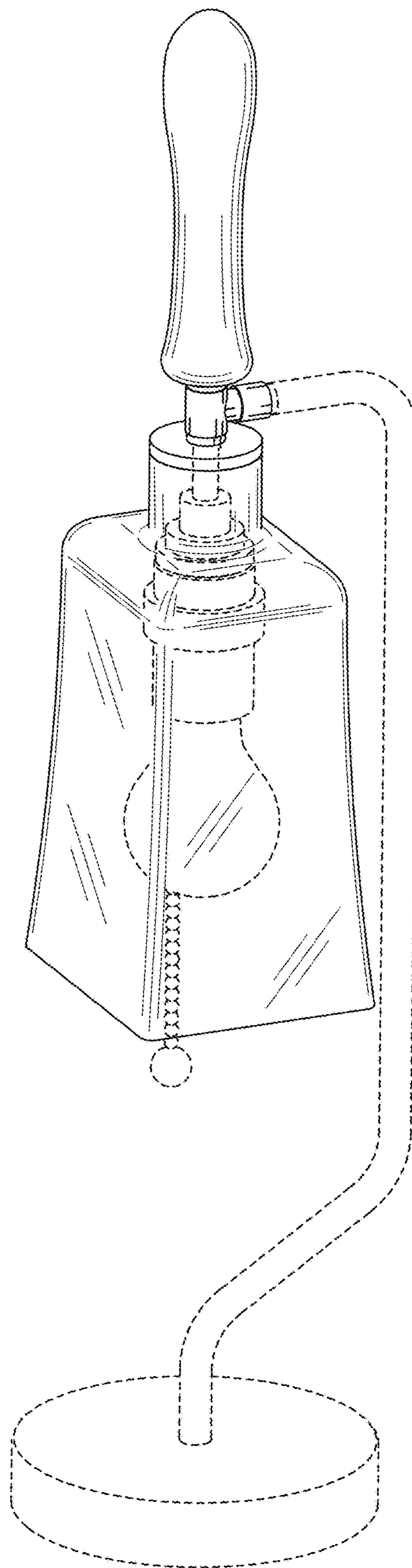


FIG. 1

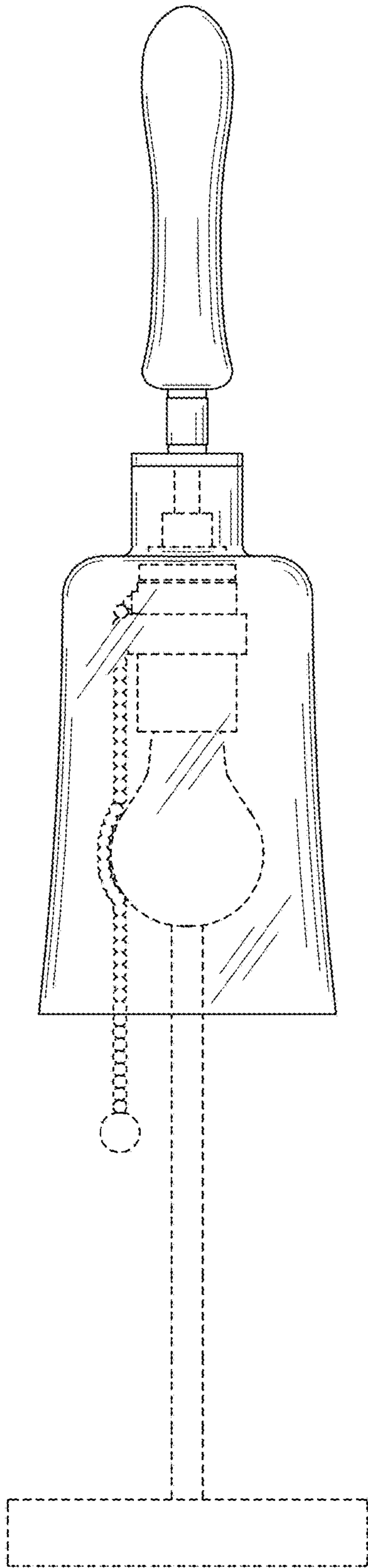


FIG. 2

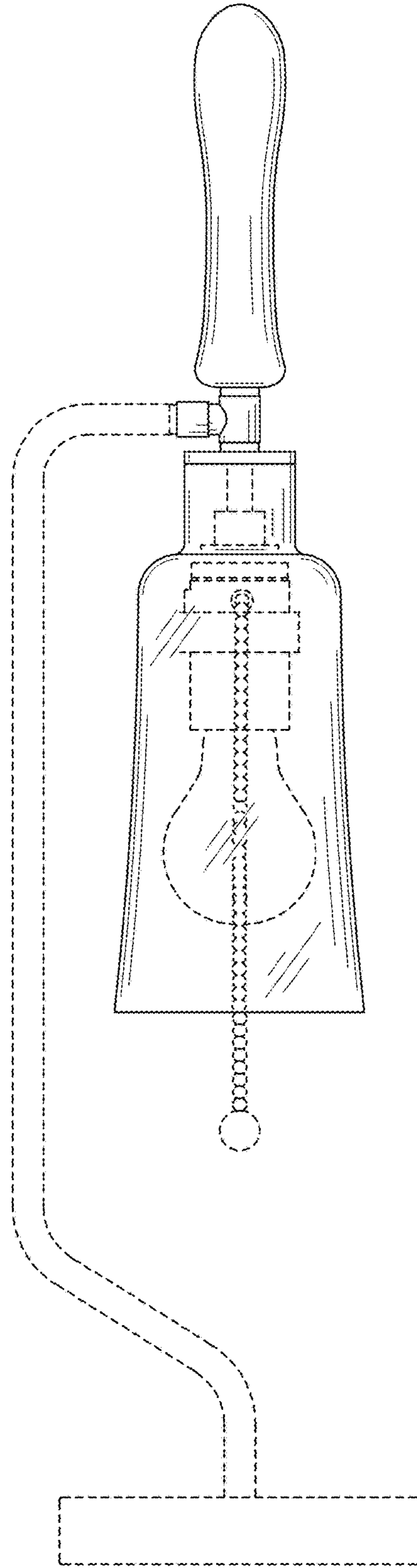


FIG. 3

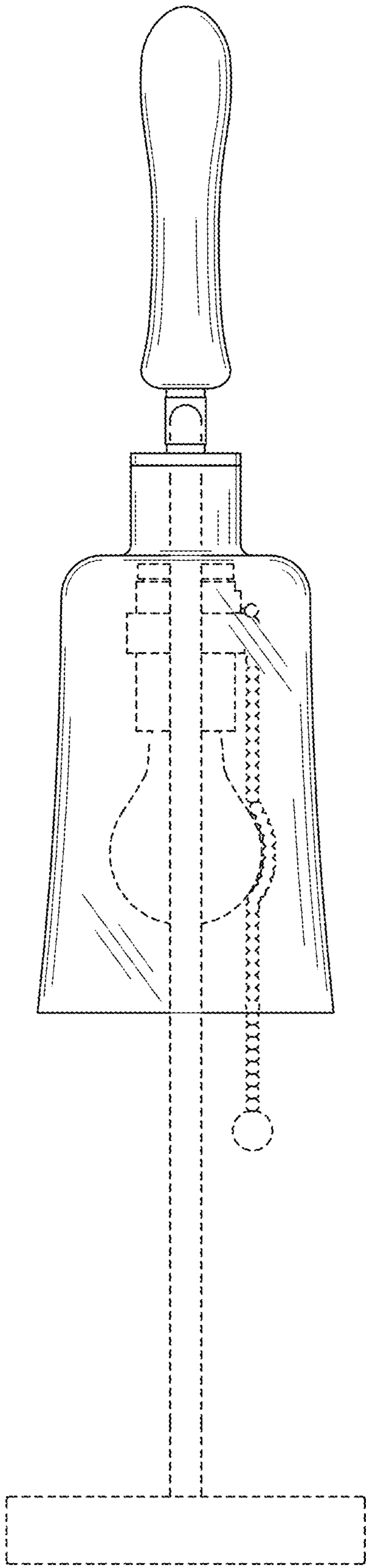


FIG. 4

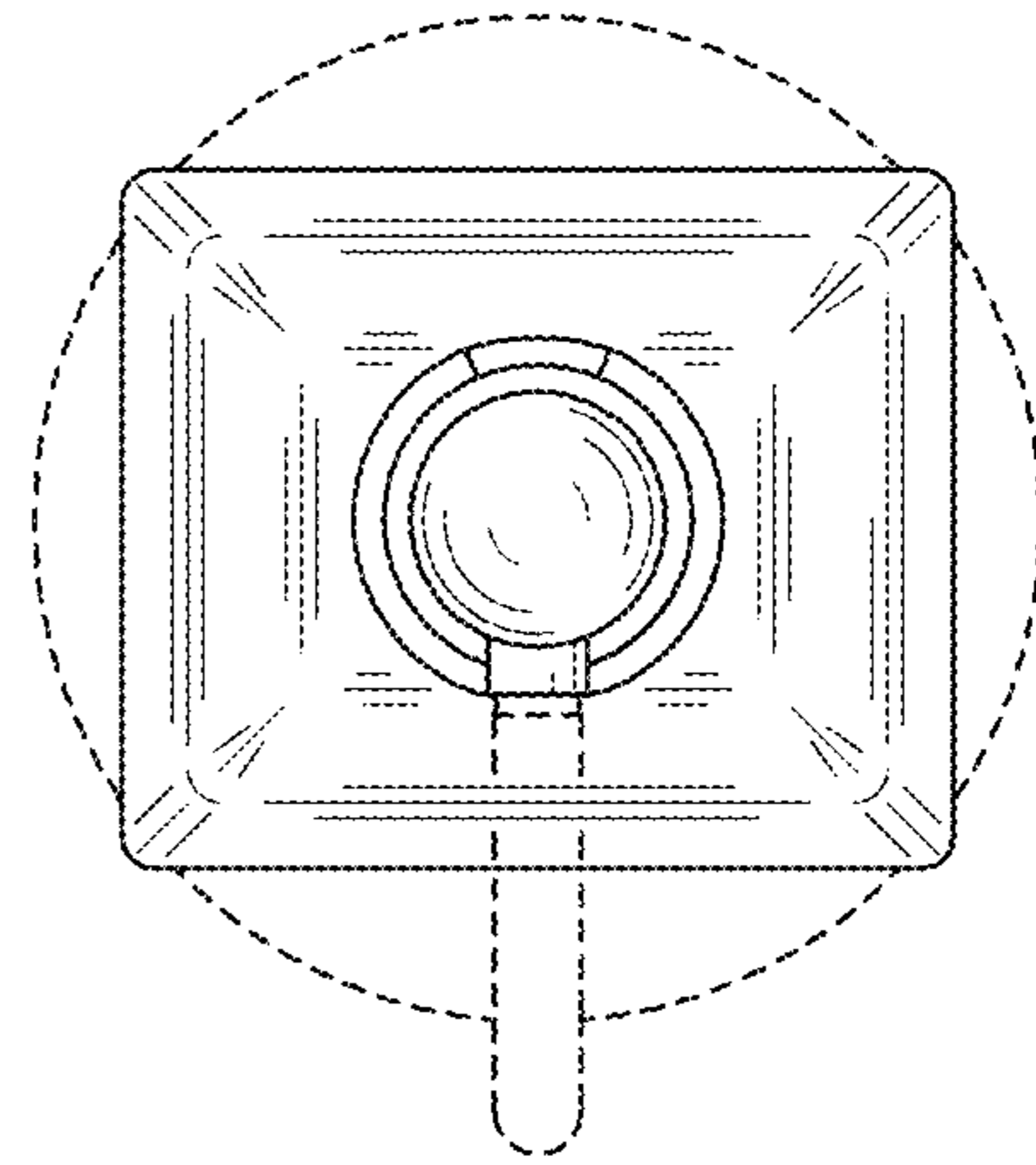


FIG. 5

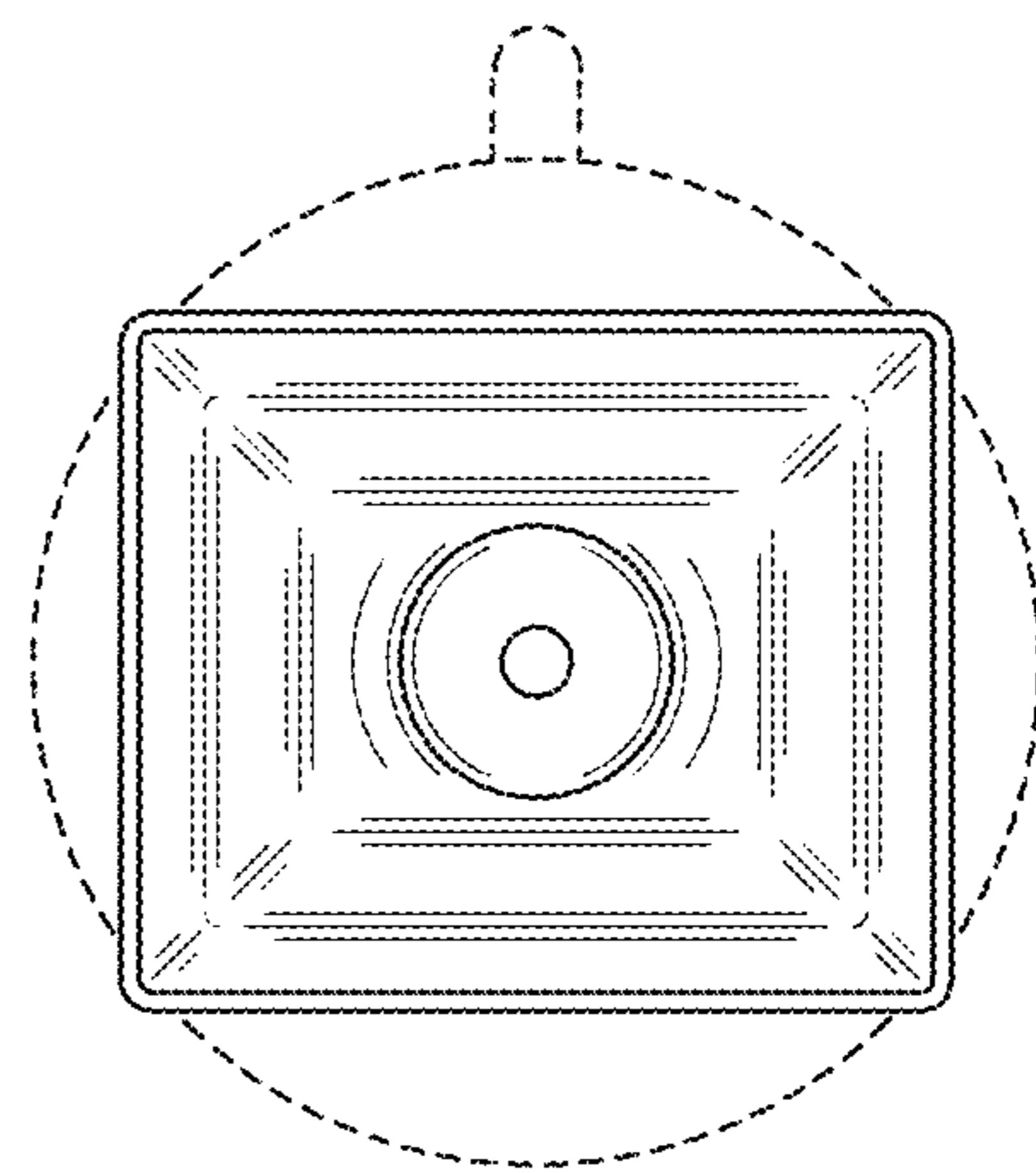


FIG. 6

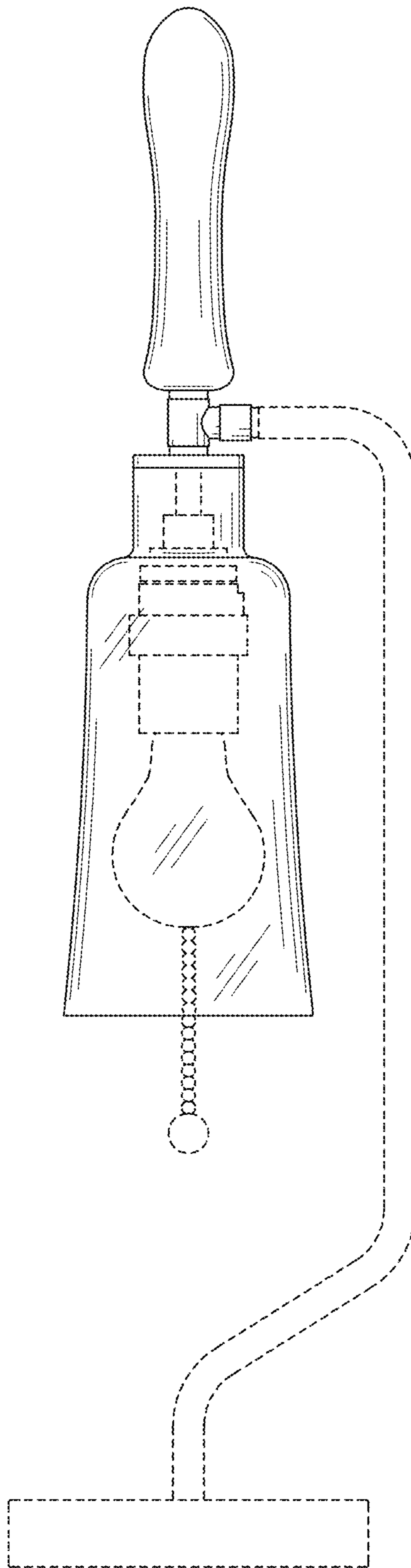


FIG. 7