



US00D808570S

(12) **United States Design Patent**
Odigie

(10) **Patent No.:** **US D808,570 S**

(45) **Date of Patent:** **** Jan. 23, 2018**

(54) **LAMP**

(71) Applicant: **Tony Odigie**, Antioch, TN (US)

(72) Inventor: **Tony Odigie**, Antioch, TN (US)

(**) Term: **15 Years**

(21) Appl. No.: **29/554,158**

(22) Filed: **Feb. 9, 2016**

(51) **LOC (11) Cl.** **26-03**

(52) **U.S. Cl.**
USPC **D26/94**

(58) **Field of Classification Search**
USPC ... D26/1, 24, 4, 32, 37, 47, 57, 93, 94, 106,
D26/110, 101; D11/131, 157
CPC F21S 6/00; F21S 6/002; F21V 1/00; F21V
3/00; F21V 21/02; F21W 2121/00; F21W
2131/30; B65D 17/165
See application file for complete search history.

(56) **References Cited**

U.S. PATENT DOCUMENTS

3,231,993	A *	2/1966	Levy	A47F 7/00
					D11/131
D310,729	S *	9/1990	Stearns	D26/110
D405,721	S *	2/1999	Dennis	D11/157
D427,356	S *	6/2000	Gibbs	D26/110
D587,163	S *	2/2009	Baker	D11/131
D587,623	S *	3/2009	Baker	D11/131
D637,239	S *	5/2011	Walterscheid	D21/398
D675,904	S *	2/2013	Rothbaum	D8/356
D685,127	S *	6/2013	Reich	D26/104
D724,254	S *	3/2015	Sun	D26/101

* cited by examiner

Primary Examiner — Brian N. Vinson

(74) *Attorney, Agent, or Firm* — Patterson Intellectual Property Law, PC

(57) **CLAIM**

What is claimed is the ornamental design for a lamp, as shown and described.

DESCRIPTION

FIG. 1 is a top perspective view of an embodiment of the lamp that includes the word “FAN.”

FIG. 2 is a left side view of the lamp of FIG. 1.

FIG. 3 is a front elevation view of the lamp of FIG. 1.

FIG. 4 is a right side view of the lamp of FIG. 1.

FIG. 5 is a rear elevation view of the lamp of FIG. 1.

FIG. 6 is a top plan view of the lamp of FIG. 1.

FIG. 7 is a bottom plan view of the lamp of FIG. 1.

FIG. 8 is a bottom perspective view the lamp of FIG. 1.

FIG. 9 is a top perspective view of an embodiment of the lamp that includes the word “MOM.”

FIG. 10 is a left side view of the lamp of FIG. 9.

FIG. 11 is a front elevation view of the lamp of FIG. 9.

FIG. 12 is a right side view of the lamp of FIG. 9.

FIG. 13 is a rear elevation view of the lamp of FIG. 9.

FIG. 14 is a top plan view of the lamp of FIG. 9.

FIG. 15 is a bottom plan view of the lamp of FIG. 9.

FIG. 16 is a bottom perspective view the lamp of FIG. 9.

FIG. 17 is a top perspective view of an embodiment of the lamp that includes the word “DAD.”

FIG. 18 is a left side view of the lamp of FIG. 17.

FIG. 19 is a front elevation view of the lamp of FIG. 17.

FIG. 20 is a right side view of the lamp of FIG. 17.

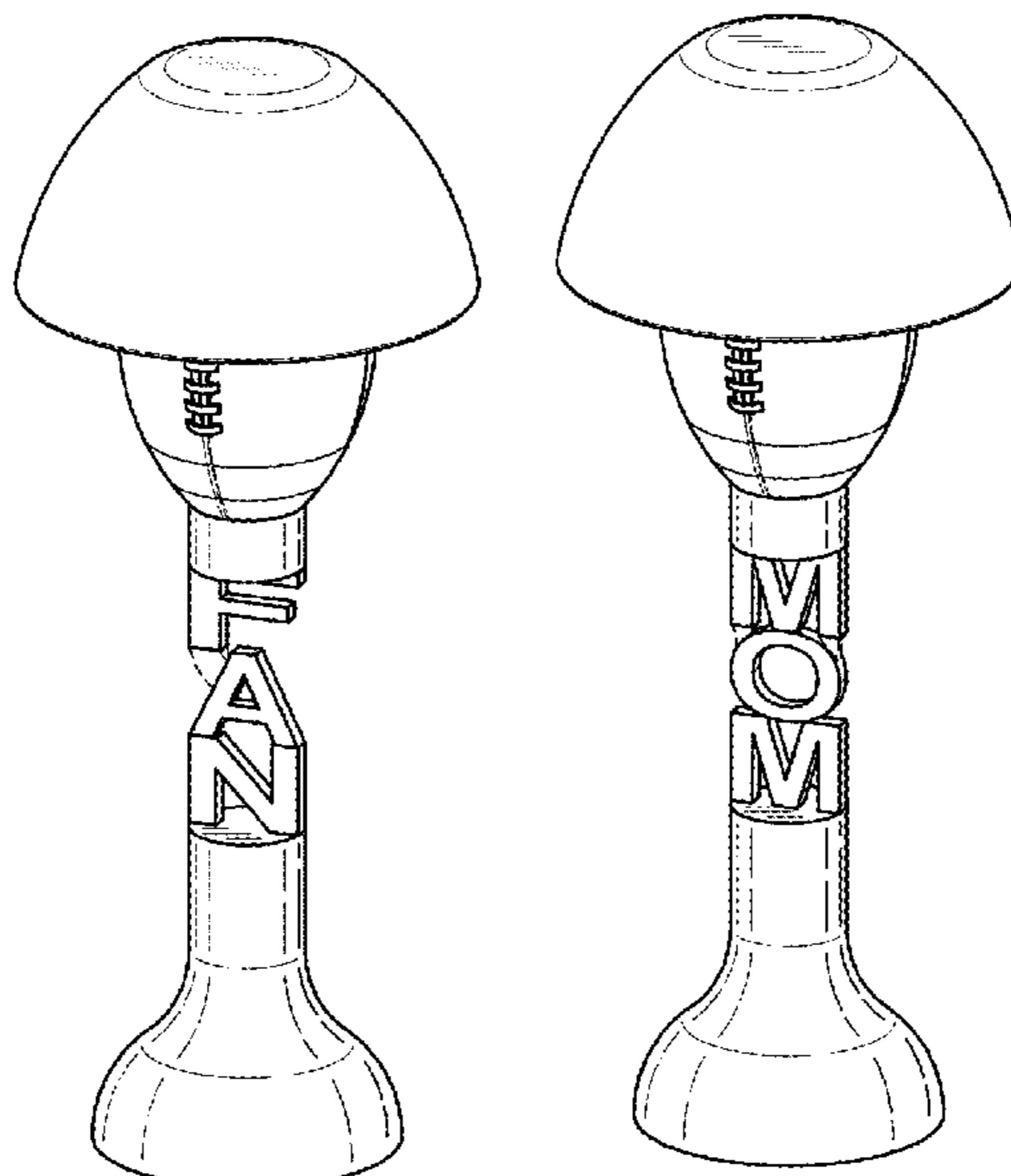
FIG. 21 is a rear elevation view of the lamp of FIG. 17.

FIG. 22 is a top plan view of the lamp of FIG. 17.

FIG. 23 is a bottom plan view of the lamp of FIG. 17; and, FIG. 24 is a bottom perspective view the lamp of FIG. 17.

The broken line disclosure represents portions of the lamp which form no part of the claimed design.

1 Claim, 6 Drawing Sheets



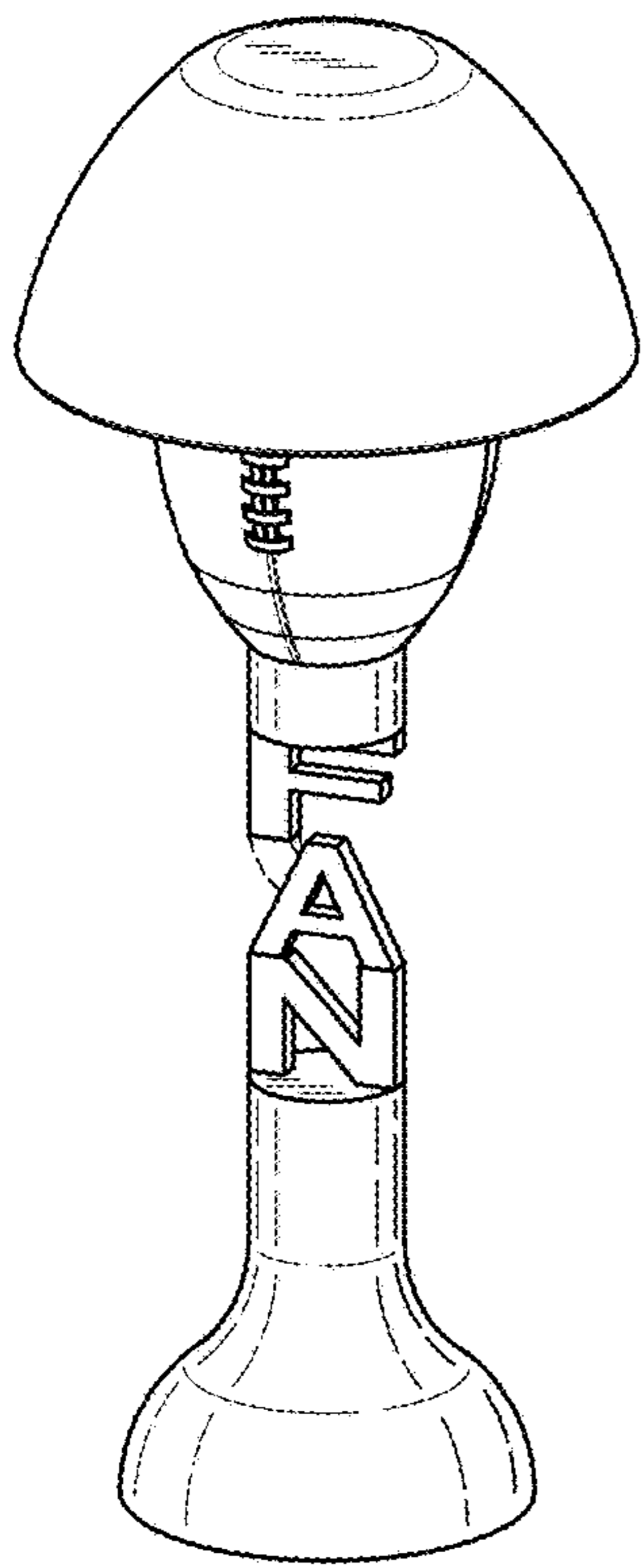


FIG. 1

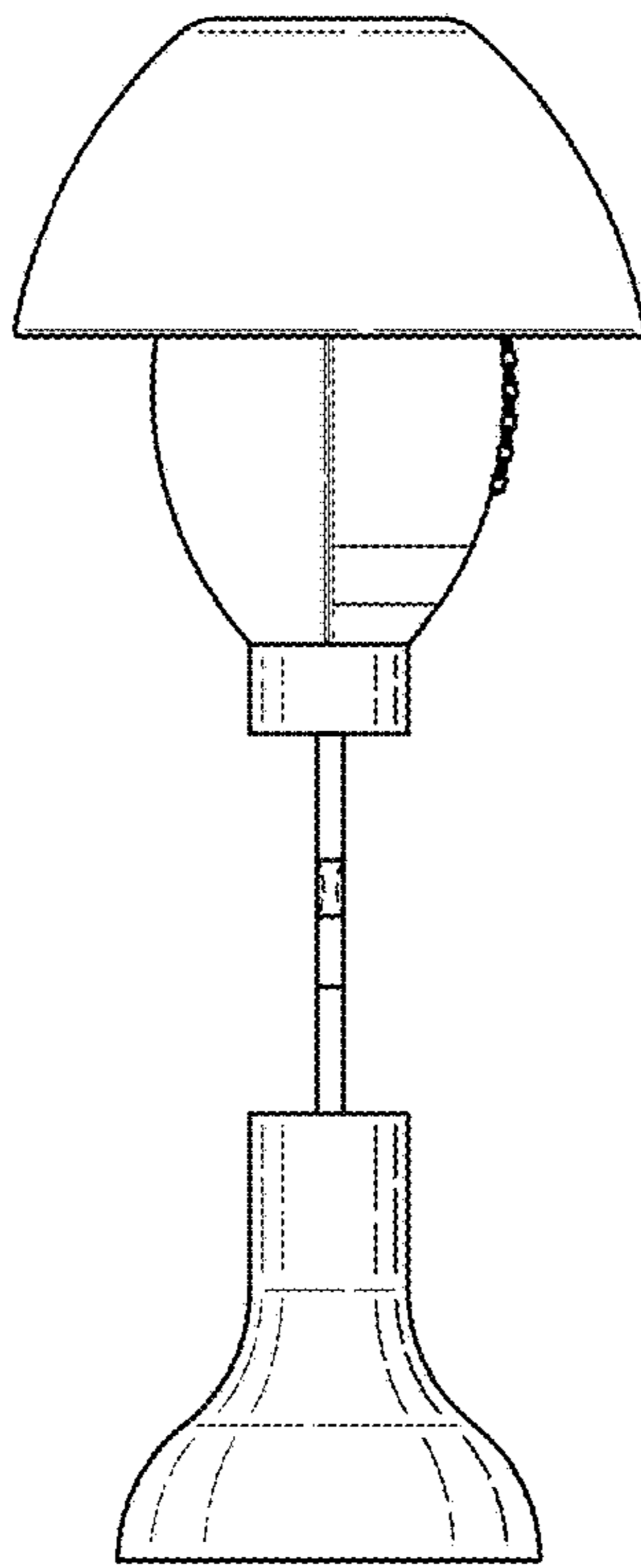


FIG. 2

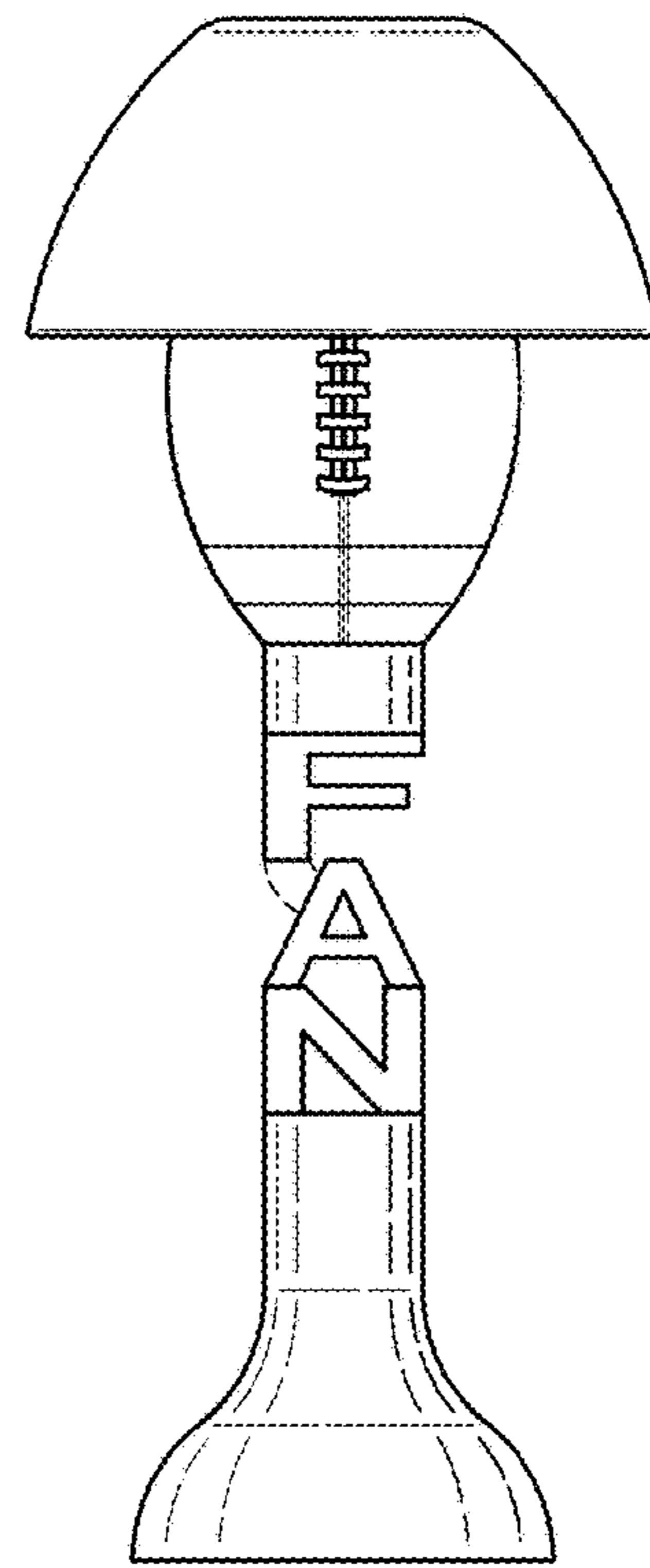


FIG. 3

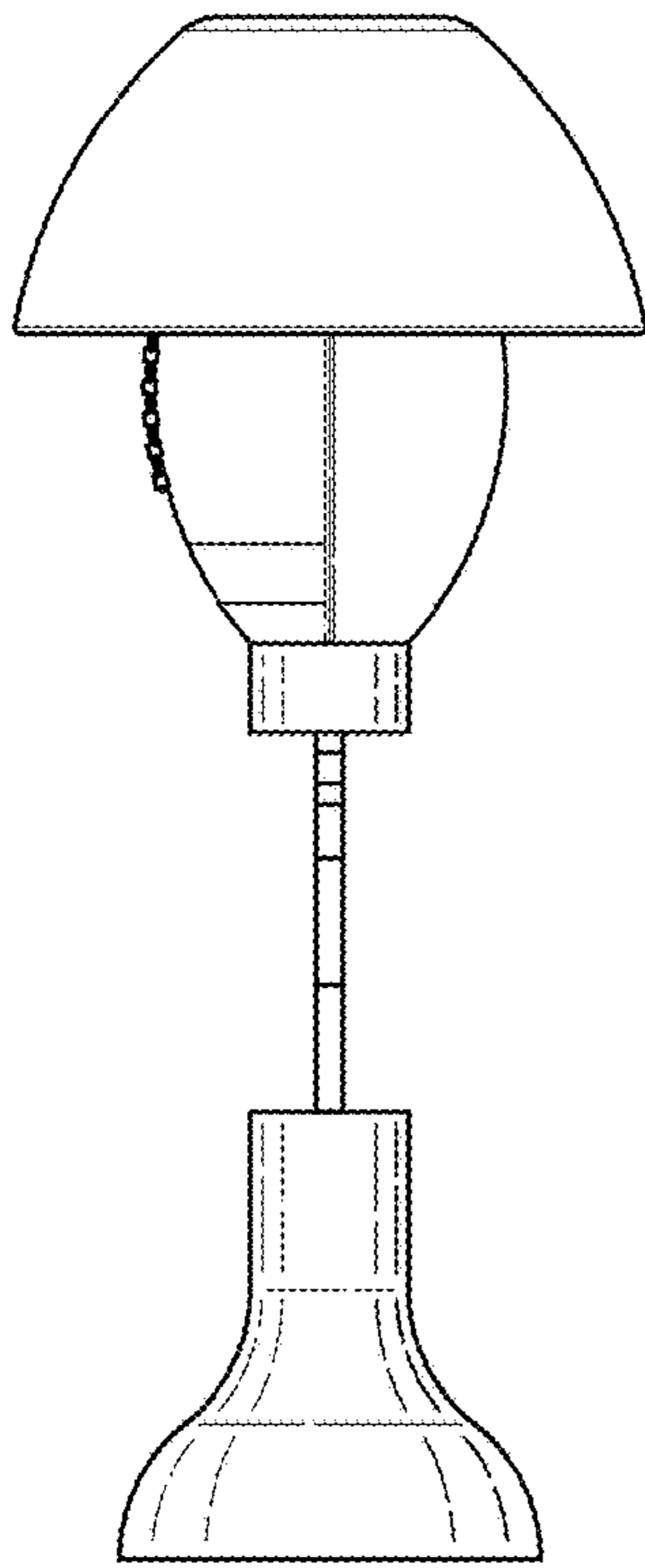


FIG. 4

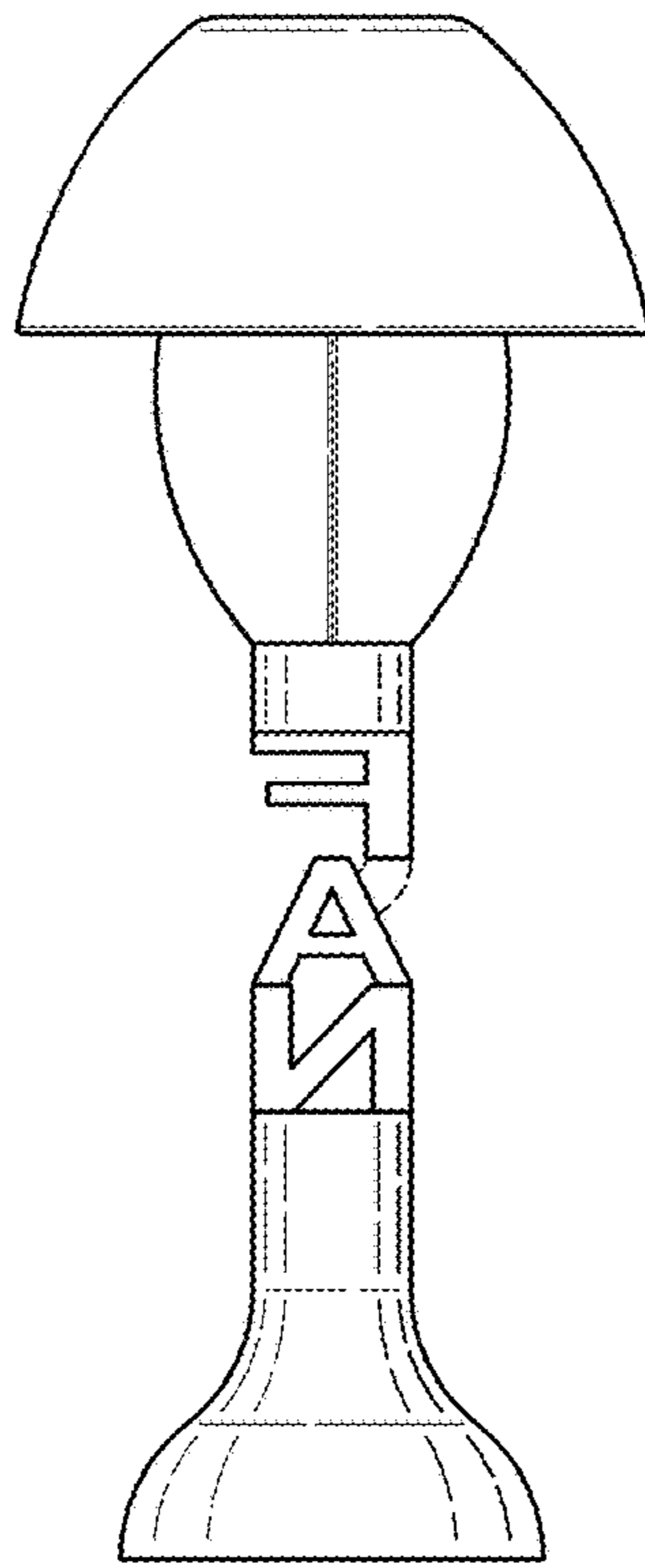


FIG. 5

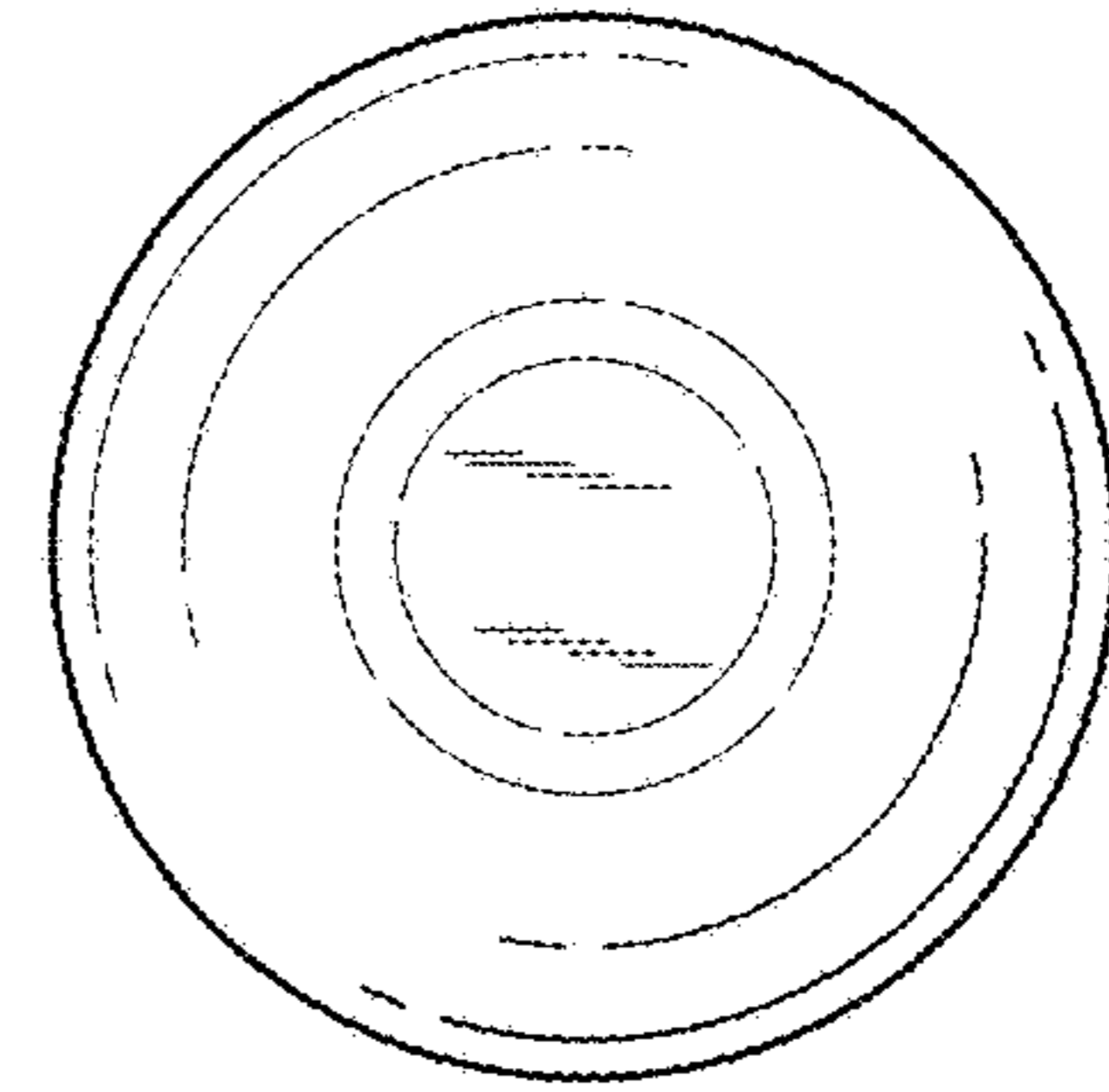


FIG. 6

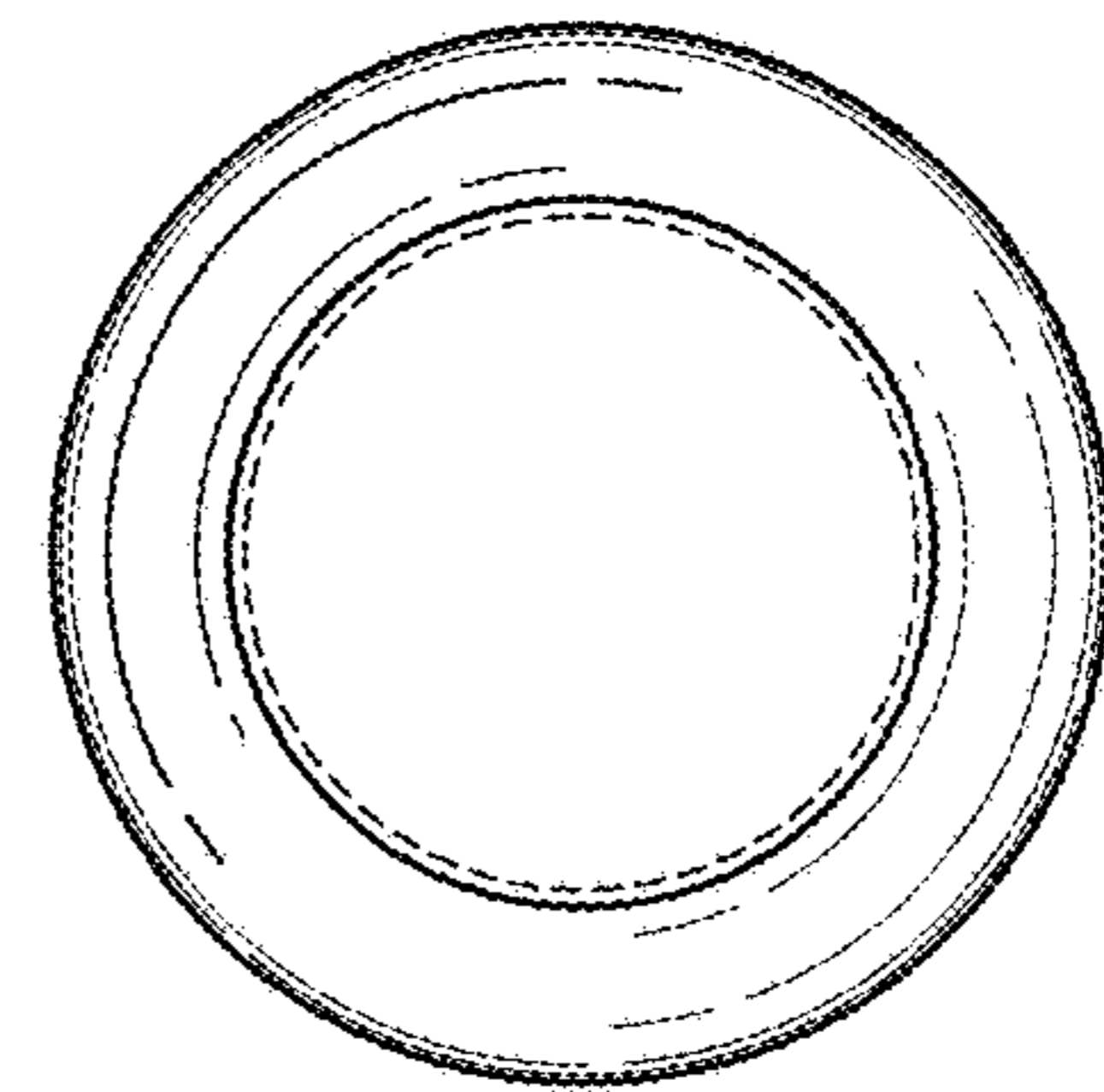


FIG. 7

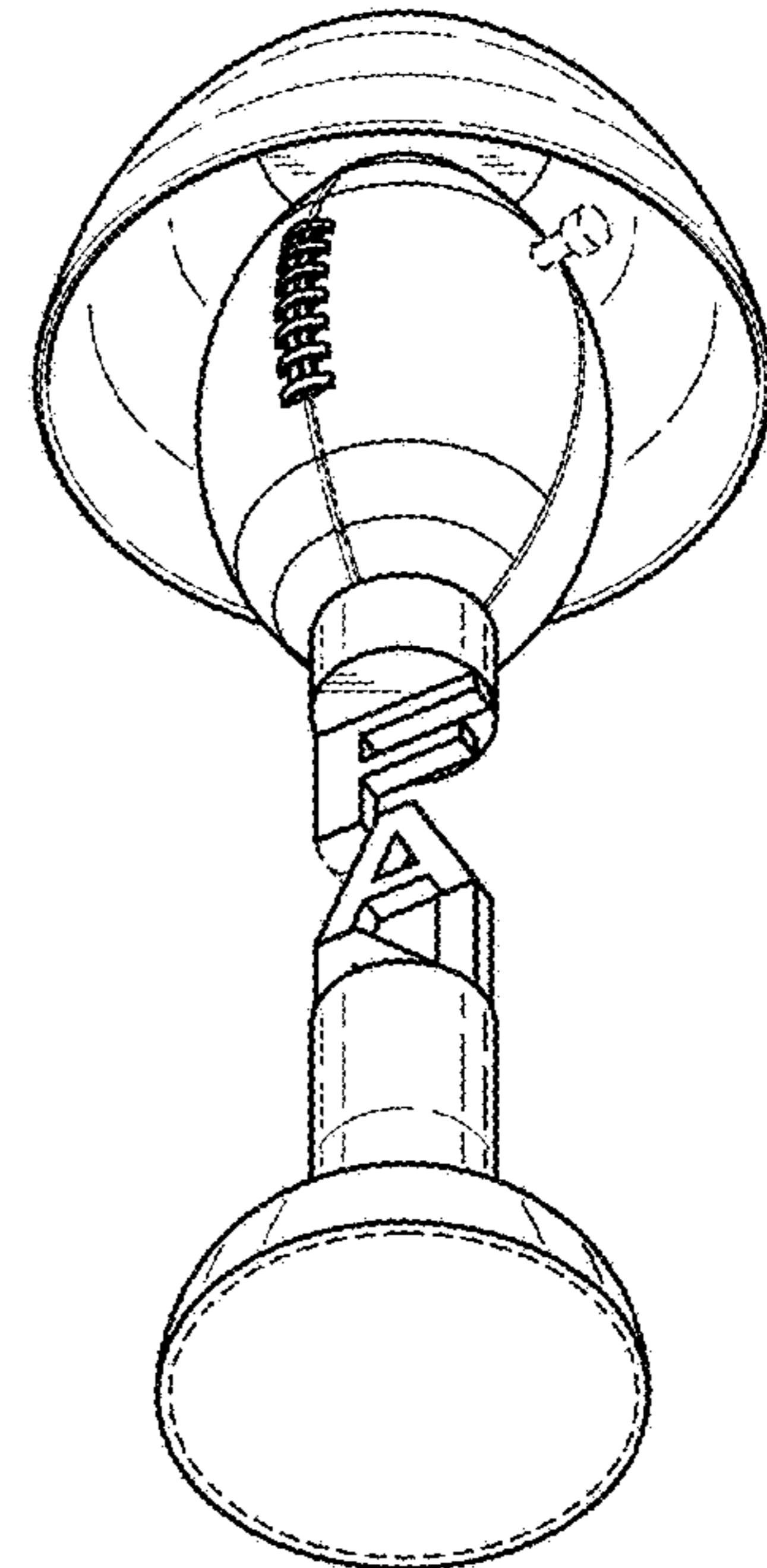


FIG. 8

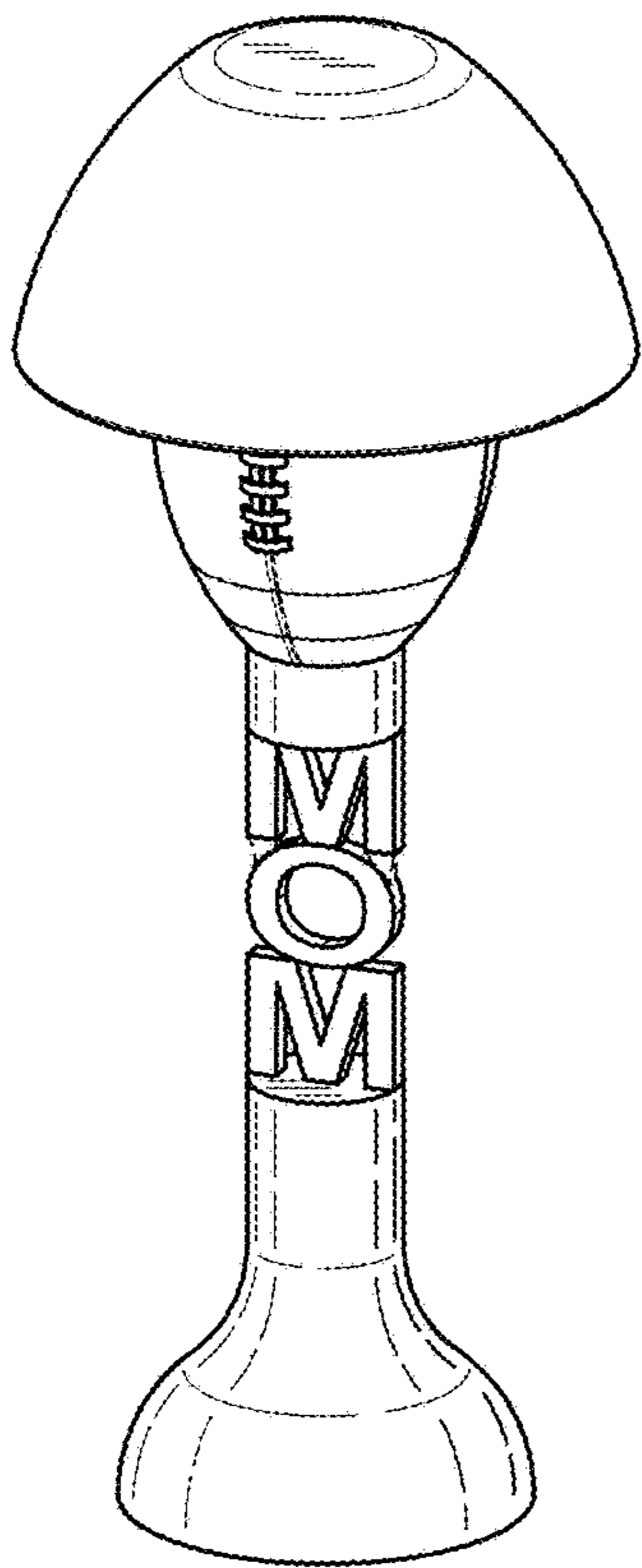


FIG. 9

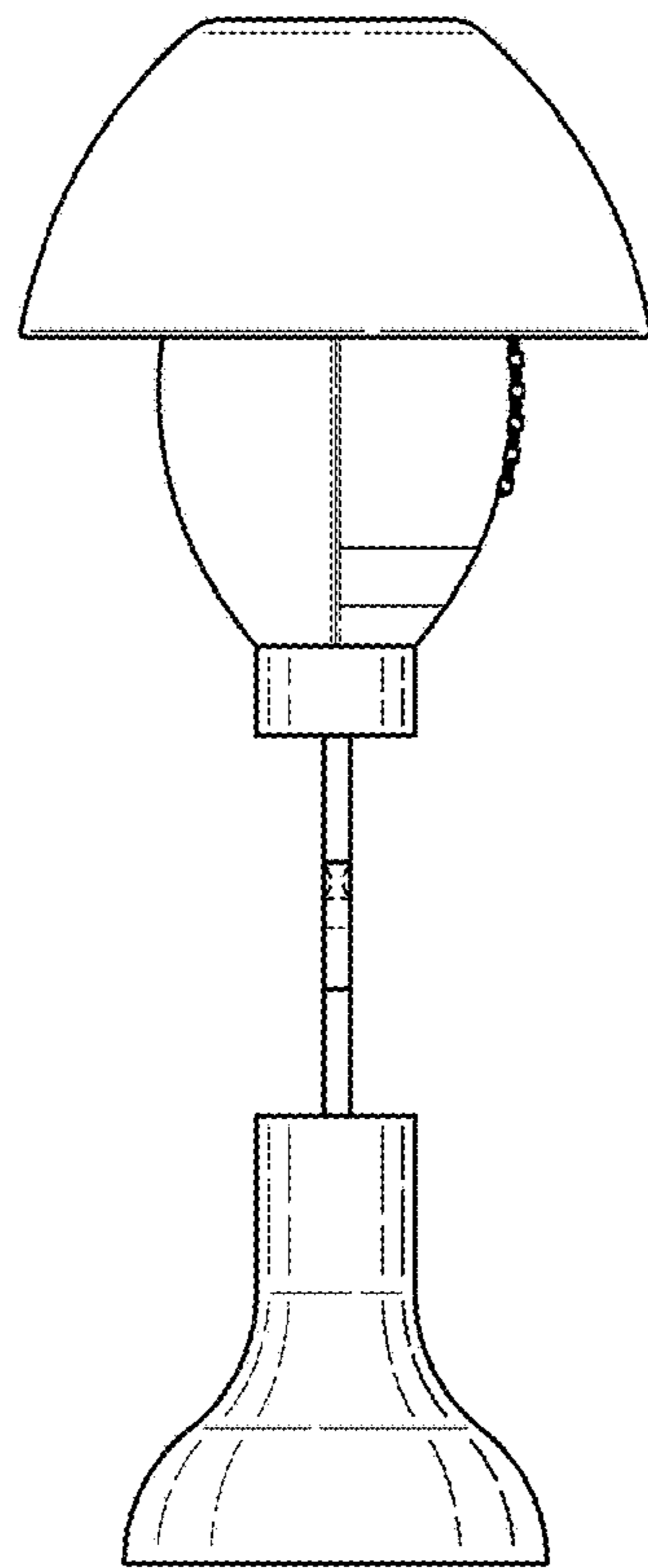


FIG. 10

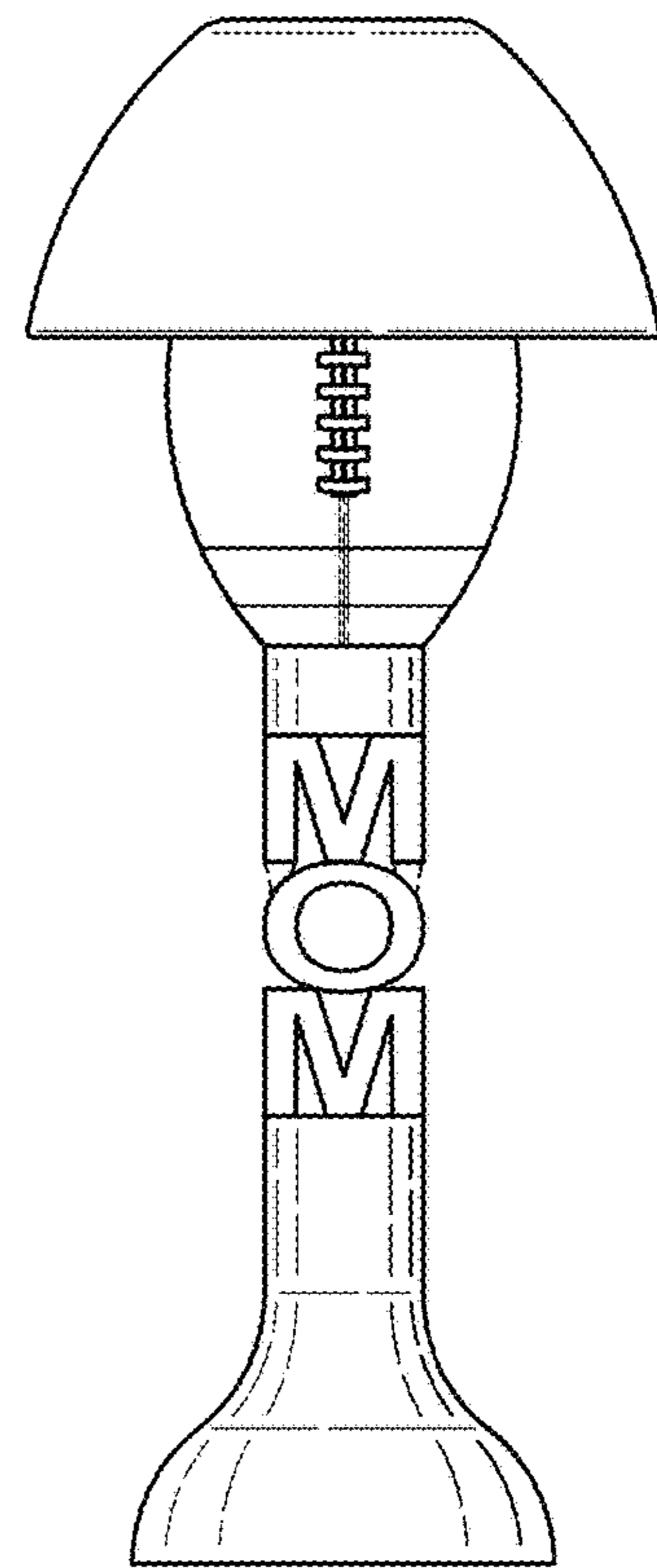


FIG. 11

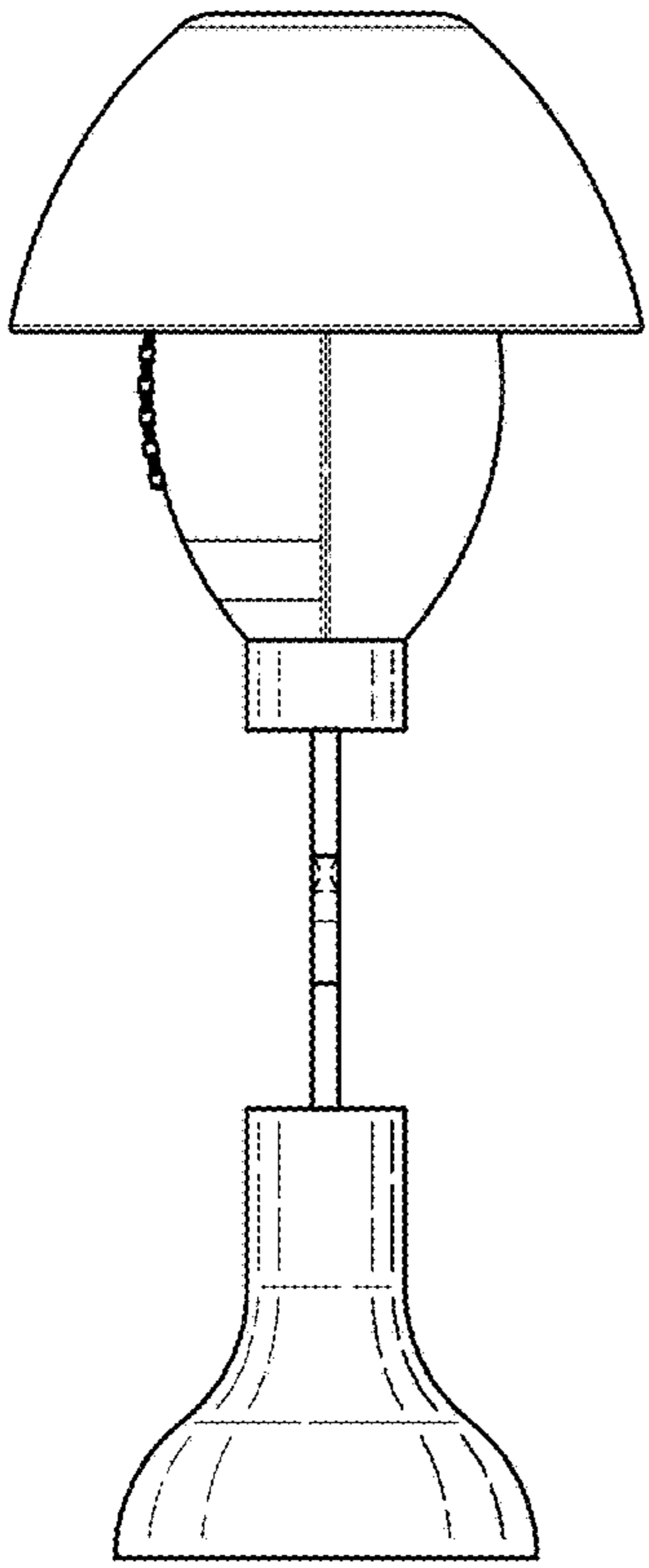


FIG. 12

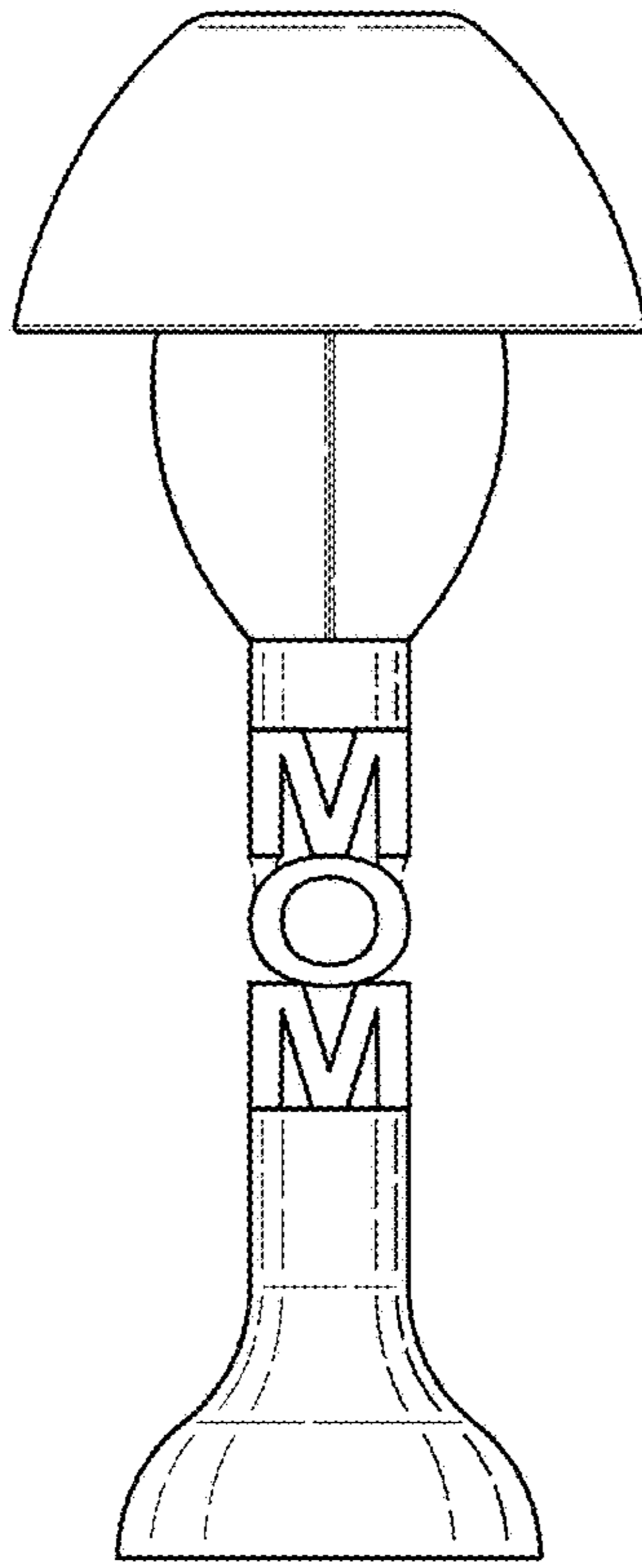


FIG. 13

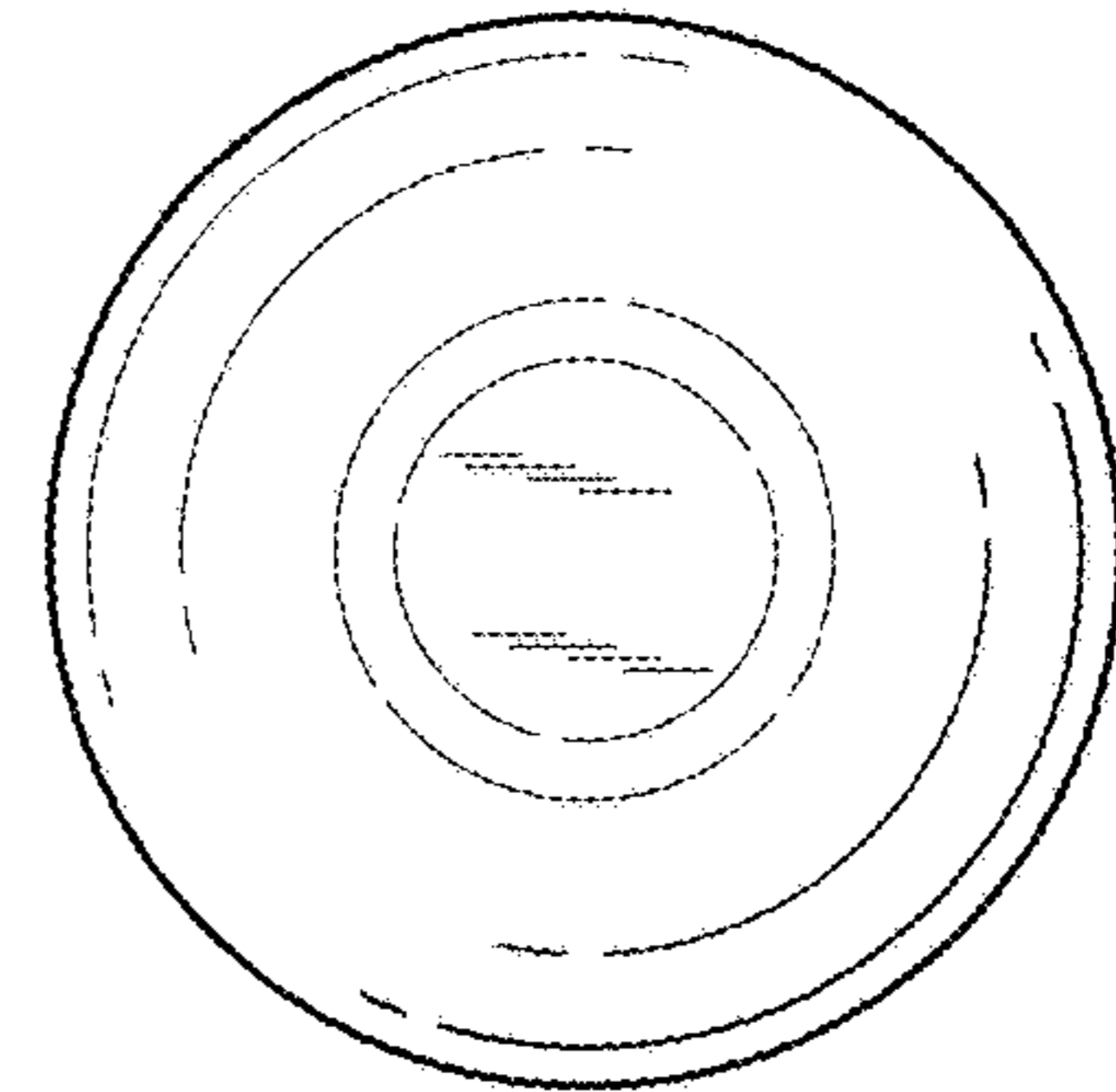


FIG. 14

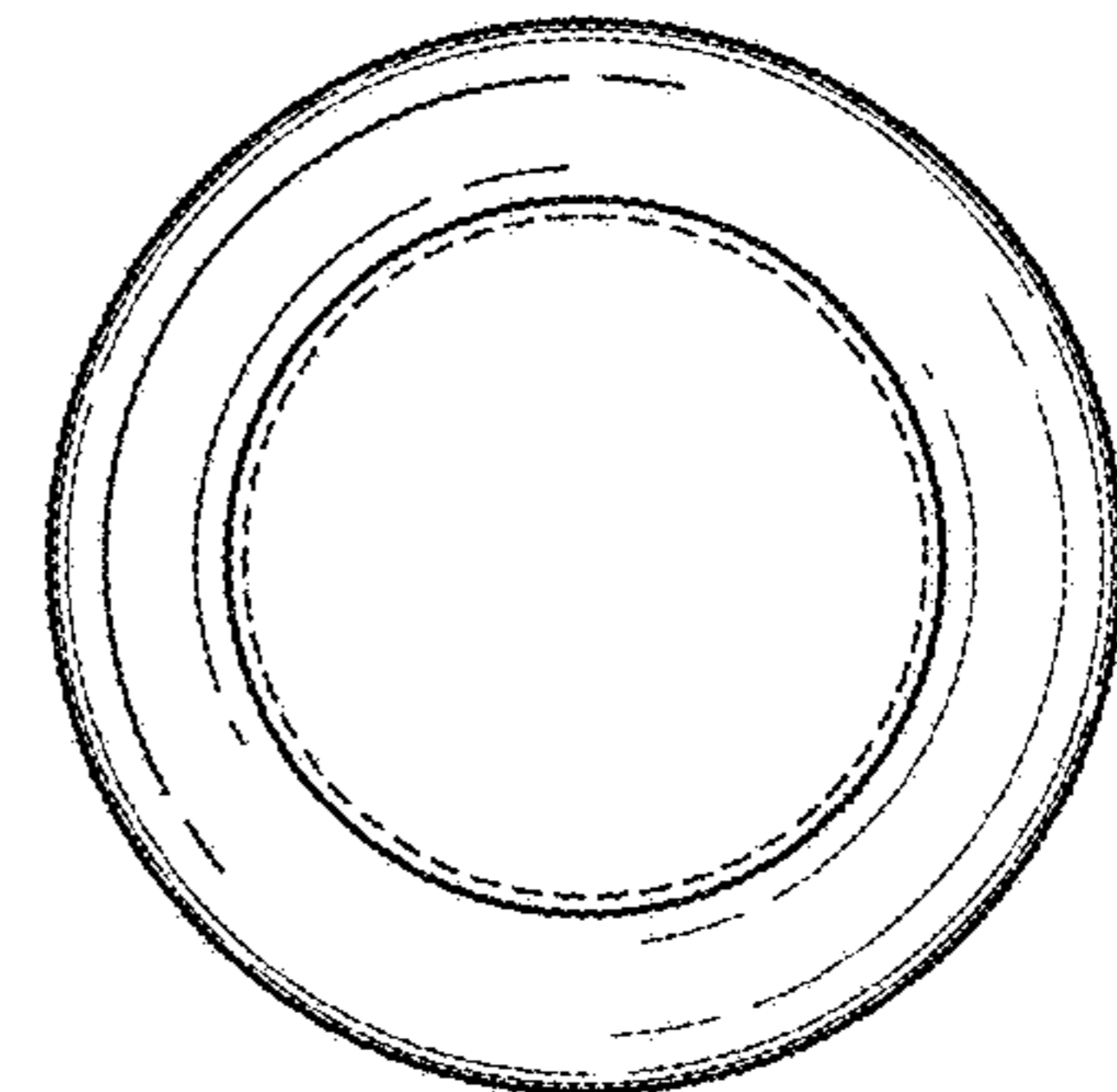


FIG. 15

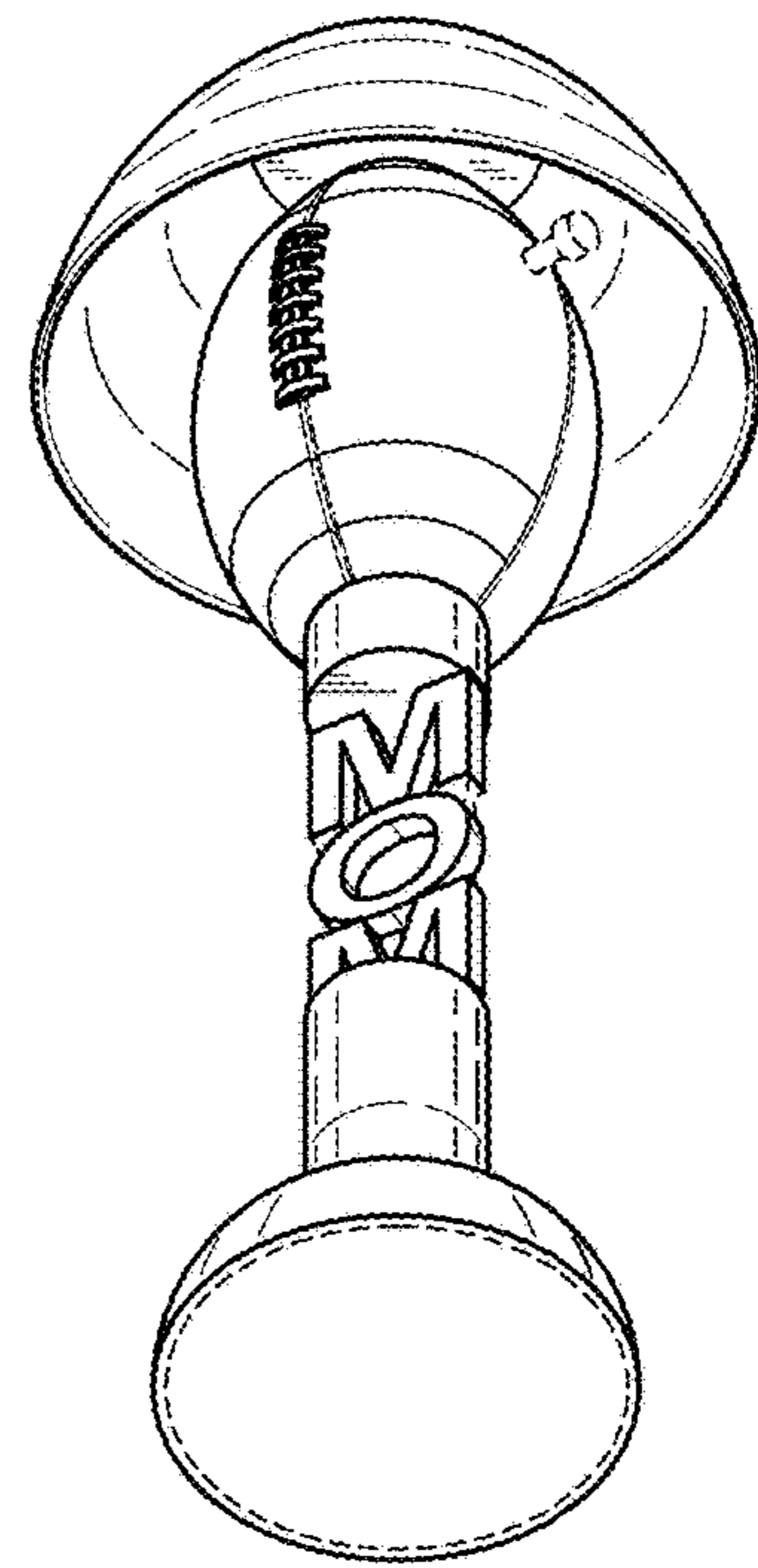


FIG. 16

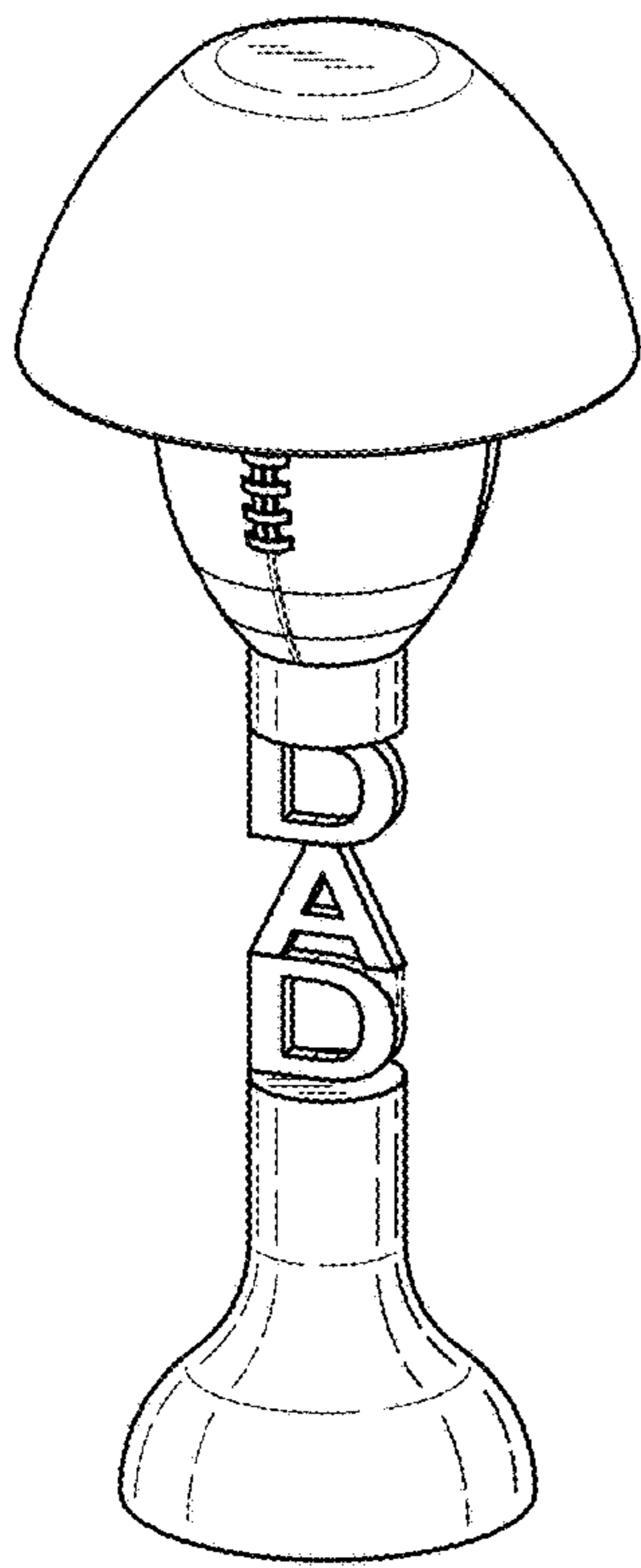


FIG. 17

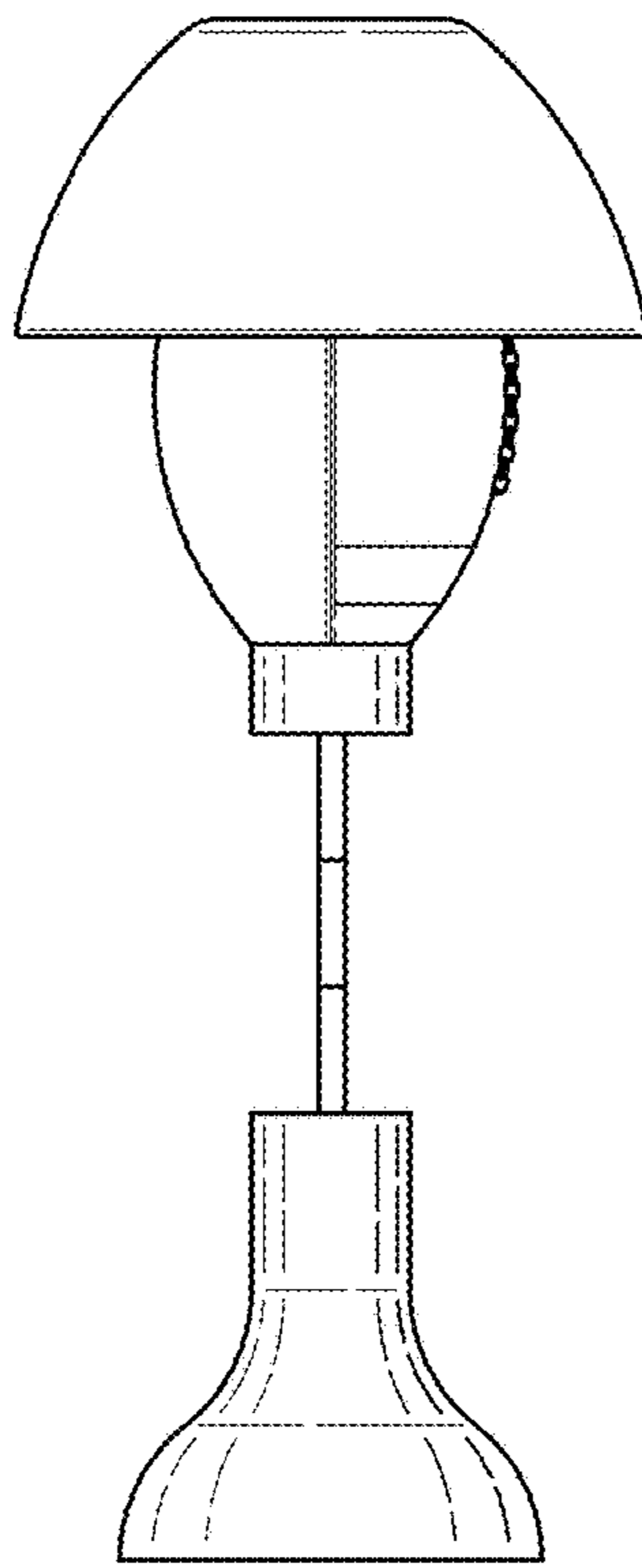


FIG. 18

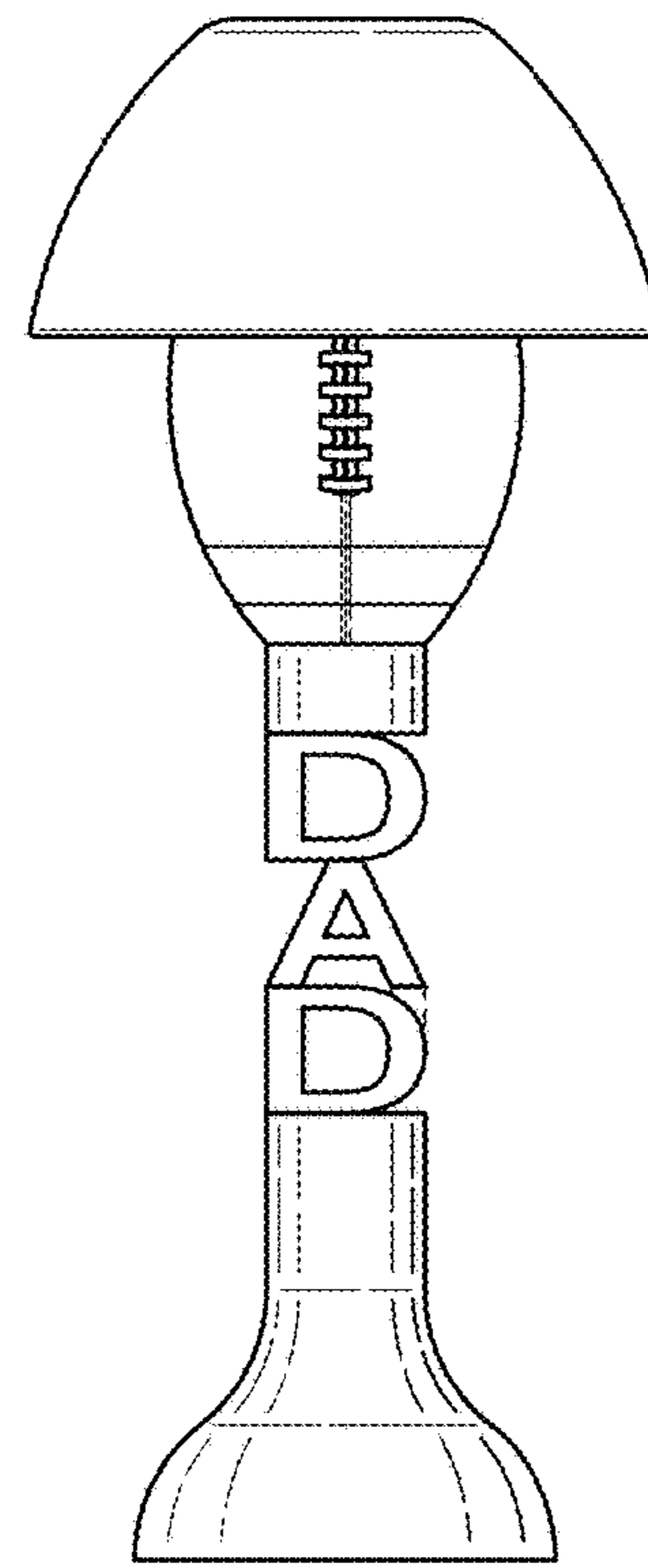


FIG. 19

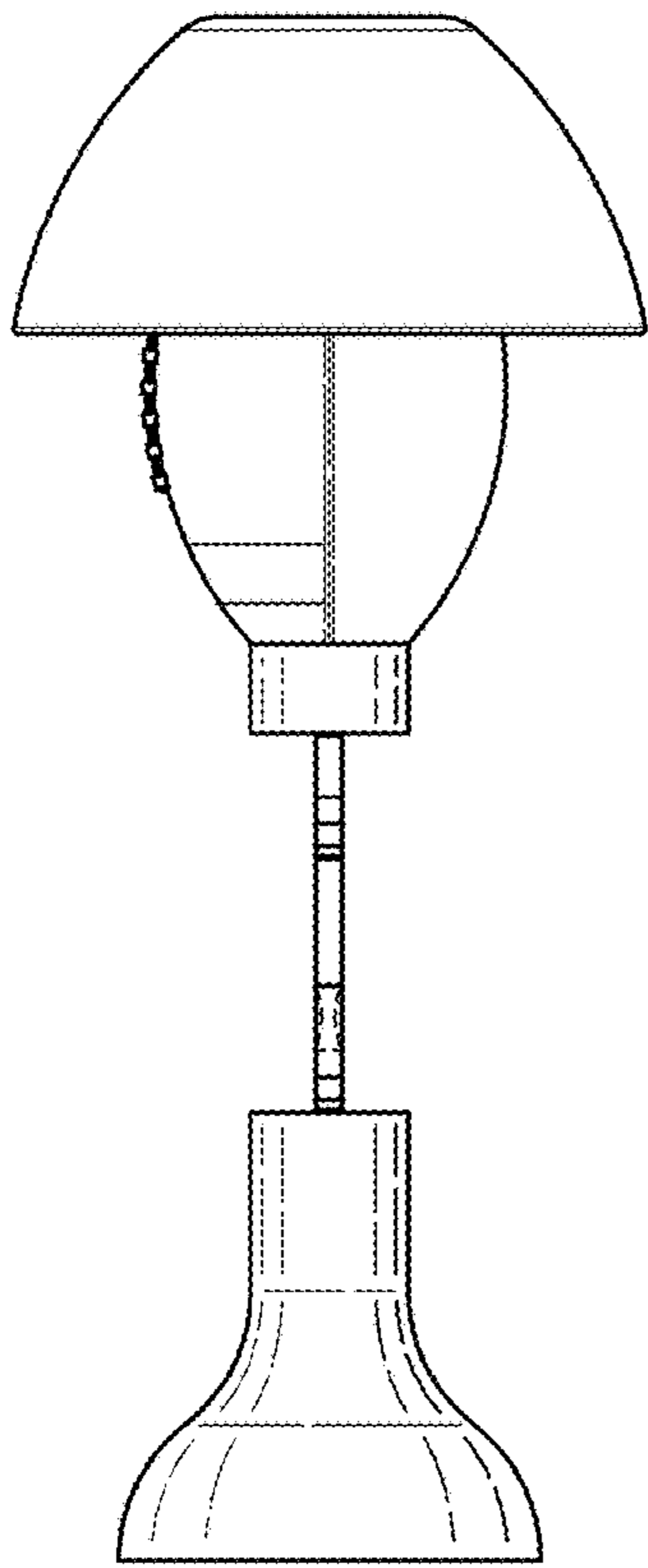


FIG. 20

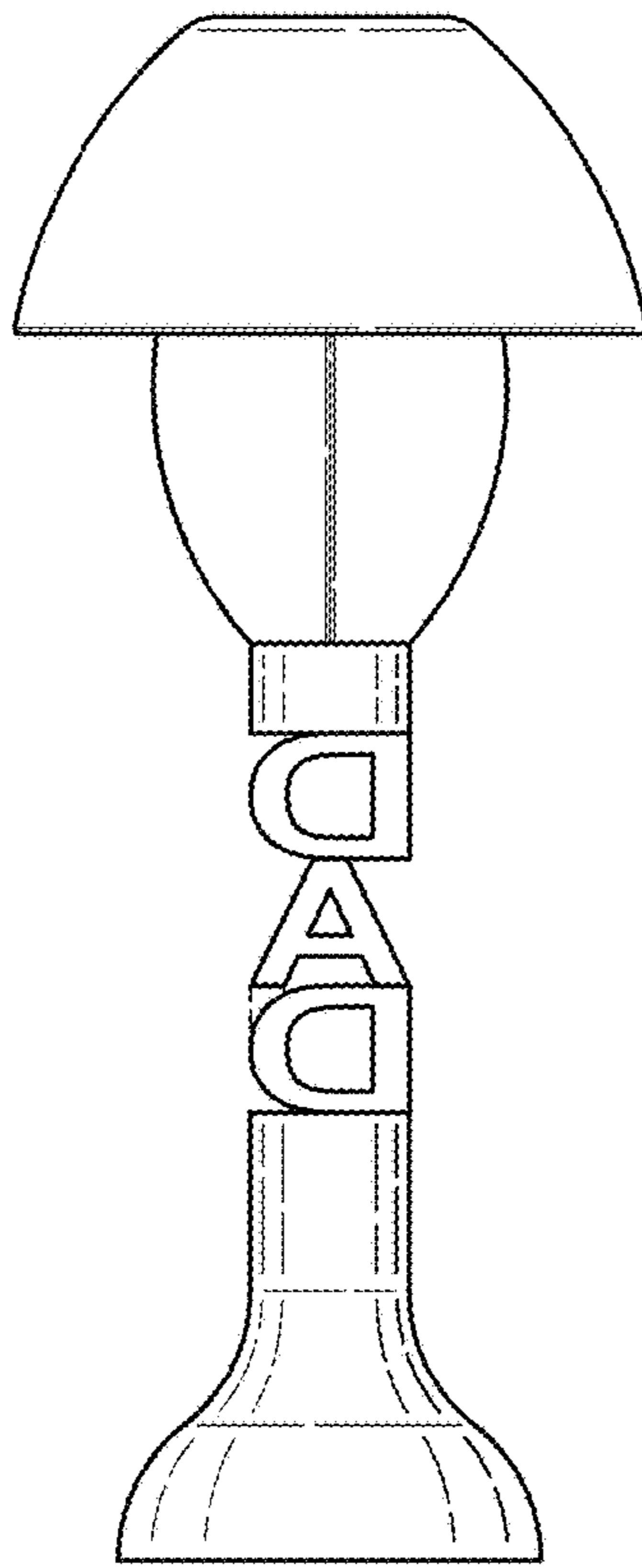


FIG. 21

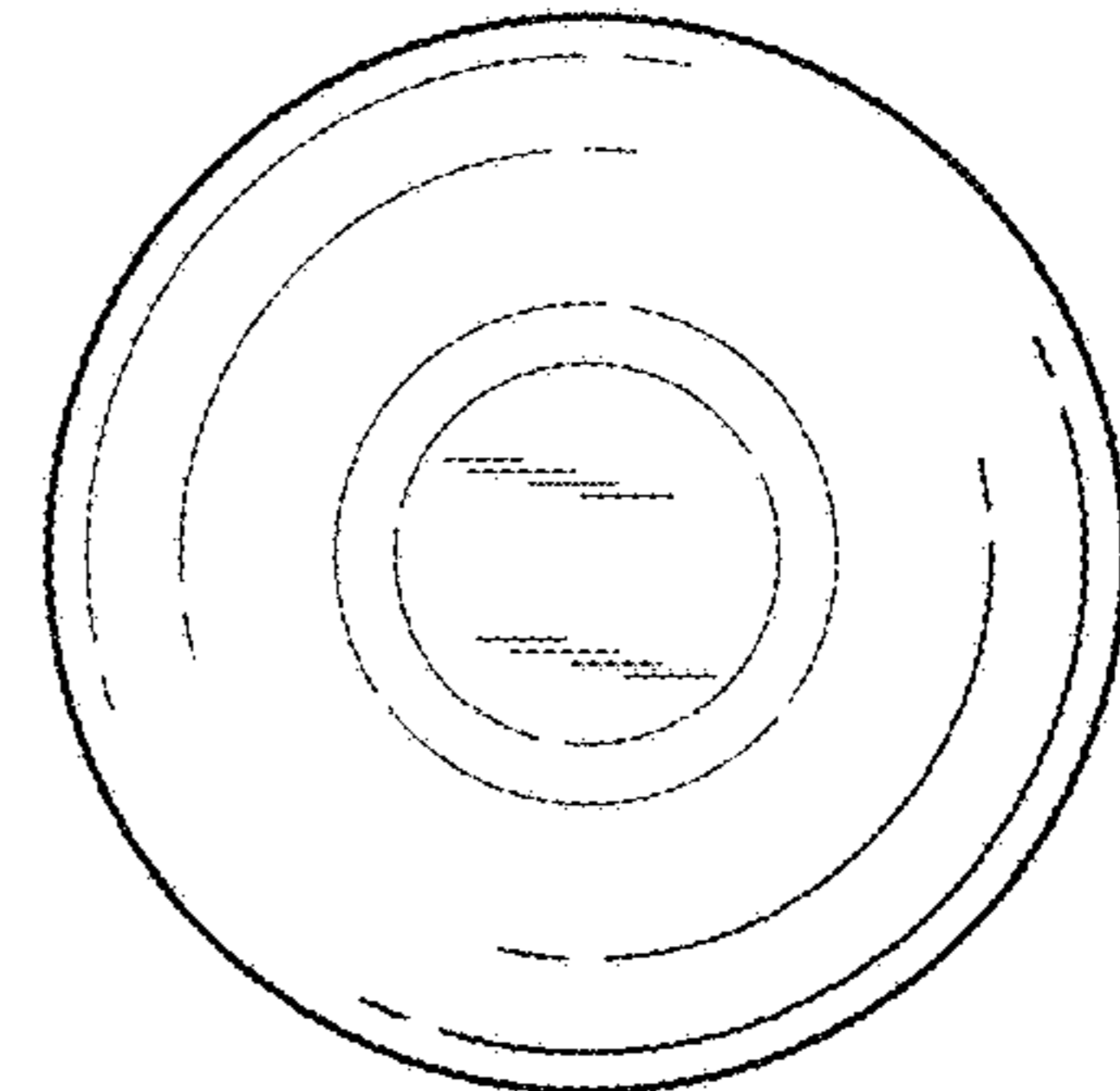


FIG. 22

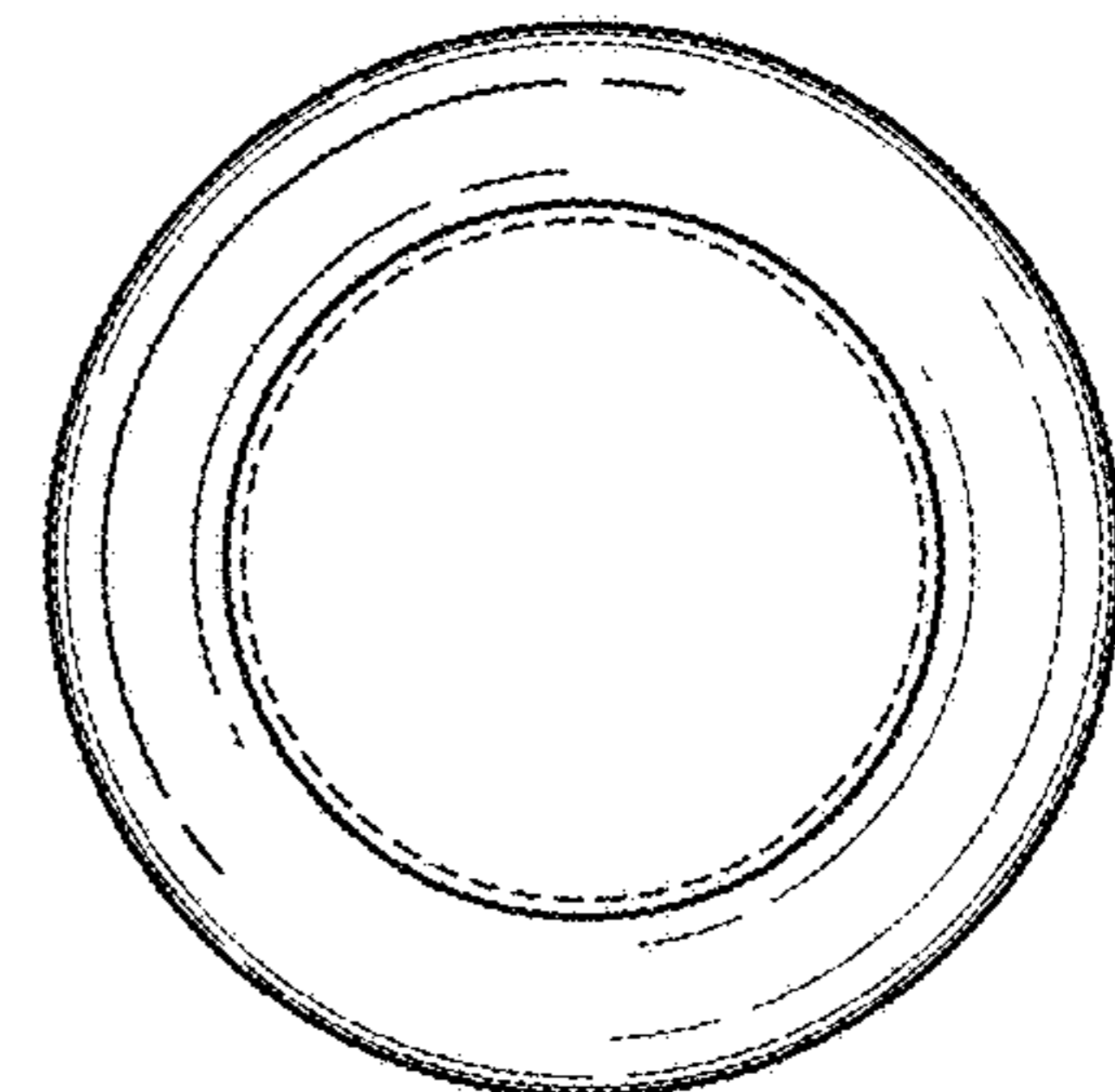


FIG. 23

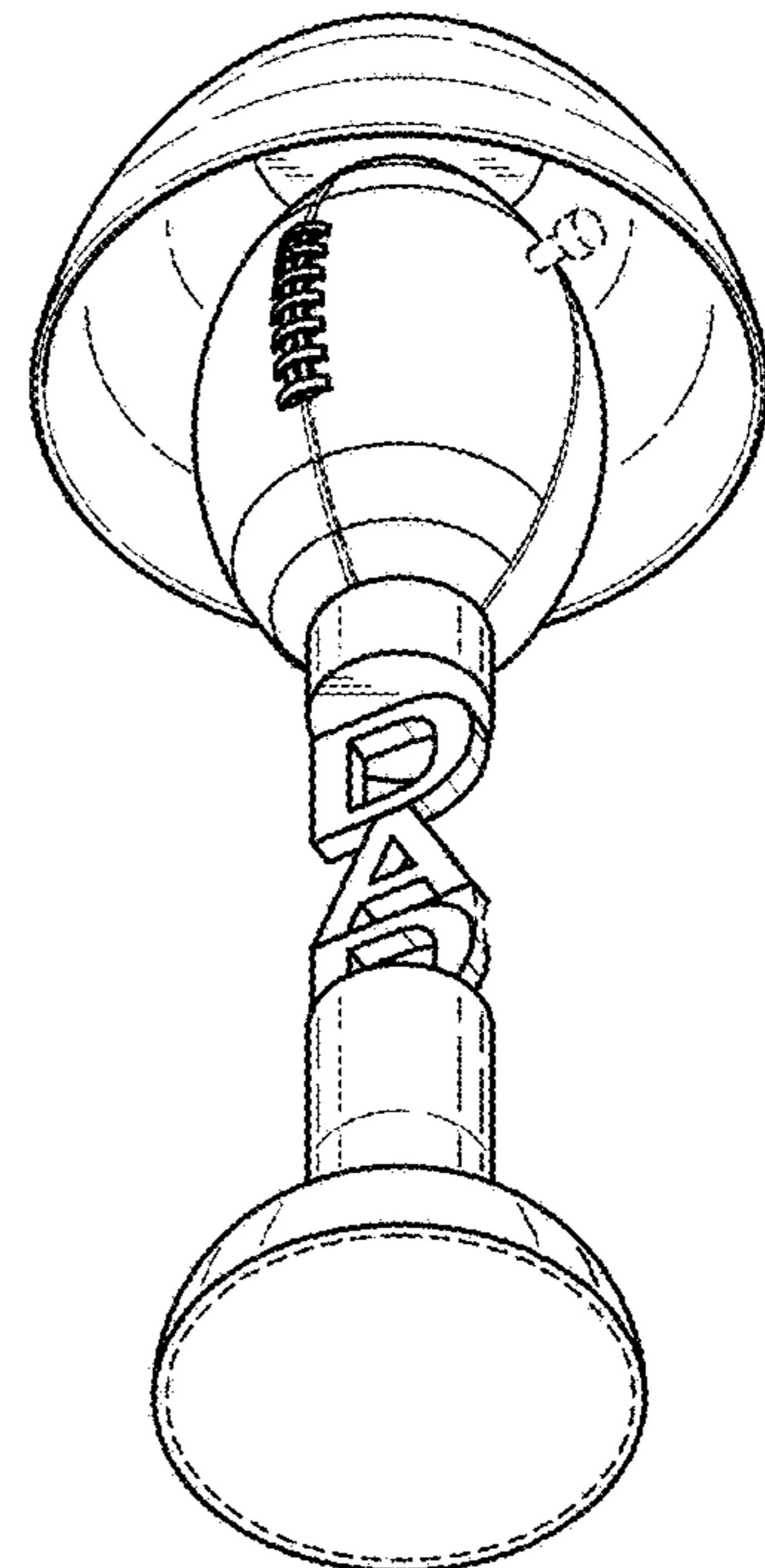


FIG. 24