



US00D808568S

(12) **United States Design Patent**
Chang et al.

(10) **Patent No.:** **US D808,568 S**
(45) **Date of Patent:** **** Jan. 23, 2018**

(54) **LIGHTING FIXTURE**

- (71) Applicant: **Atlas Lighting Products, Inc.**,
Burlington, NC (US)
- (72) Inventors: **Cheng S. Chang**, Elon, NC (US); **Scott T. Ellingson**, Graham, NC (US); **James H. Bennett**, Greensboro, NC (US); **R. Samuel Hunt, III**, Burlington, NC (US)
- (73) Assignee: **Atlas Lighting Products, Inc.**,
Burlington, NC (US)

(**) Term: **15 Years**

(21) Appl. No.: **29/576,390**

(22) Filed: **Sep. 2, 2016**

(51) **LOC (11) Cl.** **26-03**

(52) **U.S. Cl.**
USPC **D26/85**

(58) **Field of Classification Search**
USPC D26/72, 85, 87, 92; D10/106.6, 106.8
CPC F21S 8/03; F21S 8/033; F21S 8/036; F21S
8/037; F21S 9/022; F21S 9/024; F21S
9/03; F21S 9/035; F21S 9/037; F21W
2131/107

See application file for complete search history.

(56) **References Cited**

U.S. PATENT DOCUMENTS

| | | |
|-------------|---------|-----------------|
| D190,922 S | 7/1961 | Anthony |
| 3,751,657 A | 8/1973 | Sangiomo et al. |
| 3,775,606 A | 11/1973 | Bazell et al. |
| D345,025 S | 3/1994 | Tsao |
| D345,226 S | 3/1994 | Tsao |
| D355,502 S | 2/1995 | Liao |
| D360,962 S | 8/1995 | Cornell et al. |
| D407,836 S | 4/1999 | Leen |
| D420,458 S | 2/2000 | Guercio |
| D434,515 S | 11/2000 | McNamara |
| D465,592 S | 11/2002 | Lin |
| D479,015 S | 8/2003 | Tang |

(Continued)

OTHER PUBLICATIONS

“ASF Aeris by Lithonia”, (<http://www.acuitybrandslighting.com/library/LL/documents/PSG/ASF.pdf>), known at least as early as Jan. 8, 2014, 1 pg.

(Continued)

Primary Examiner — Clare E Heflin

(74) *Attorney, Agent, or Firm* — Womble Bond Dickinson (US) LLP

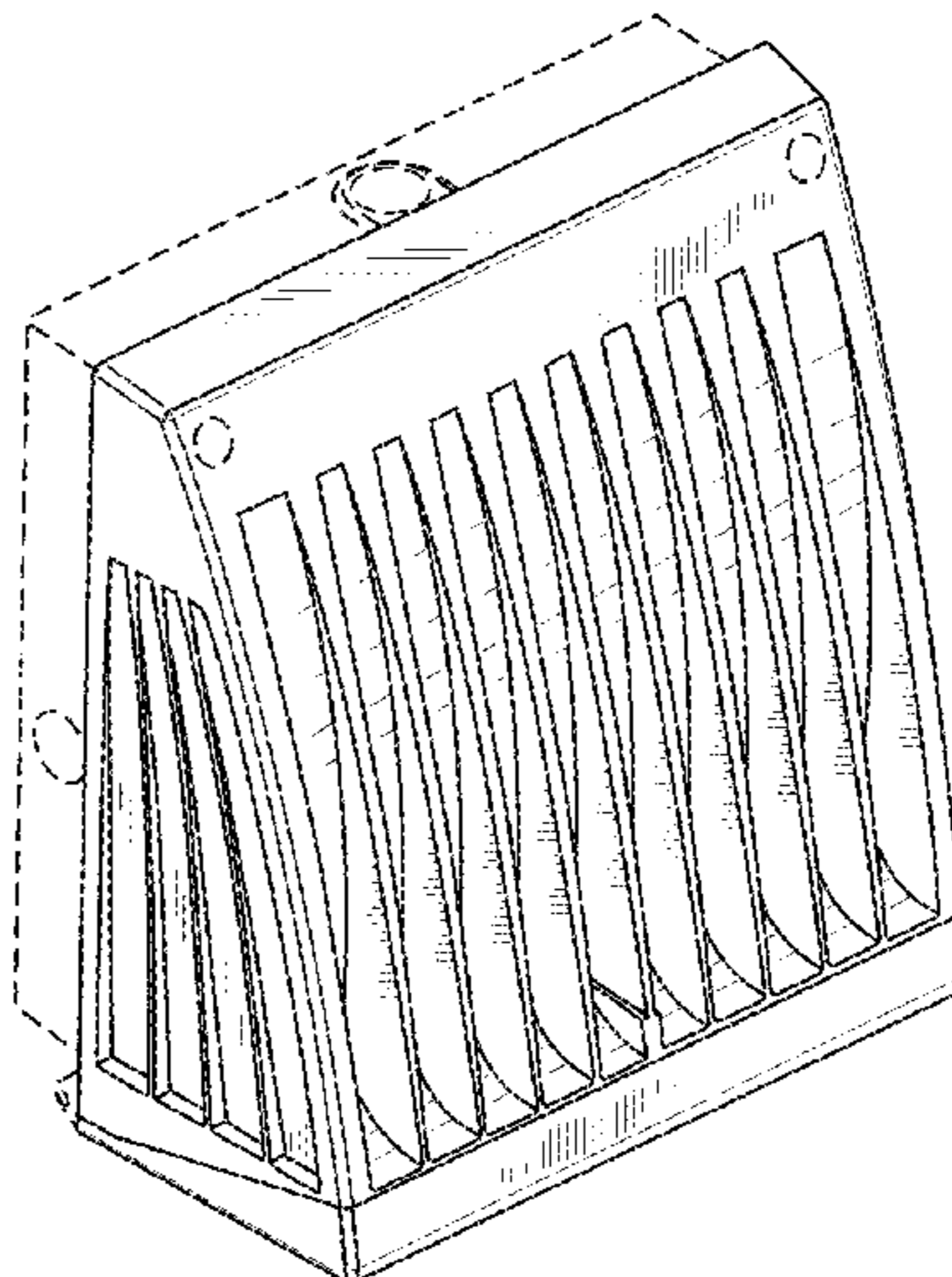
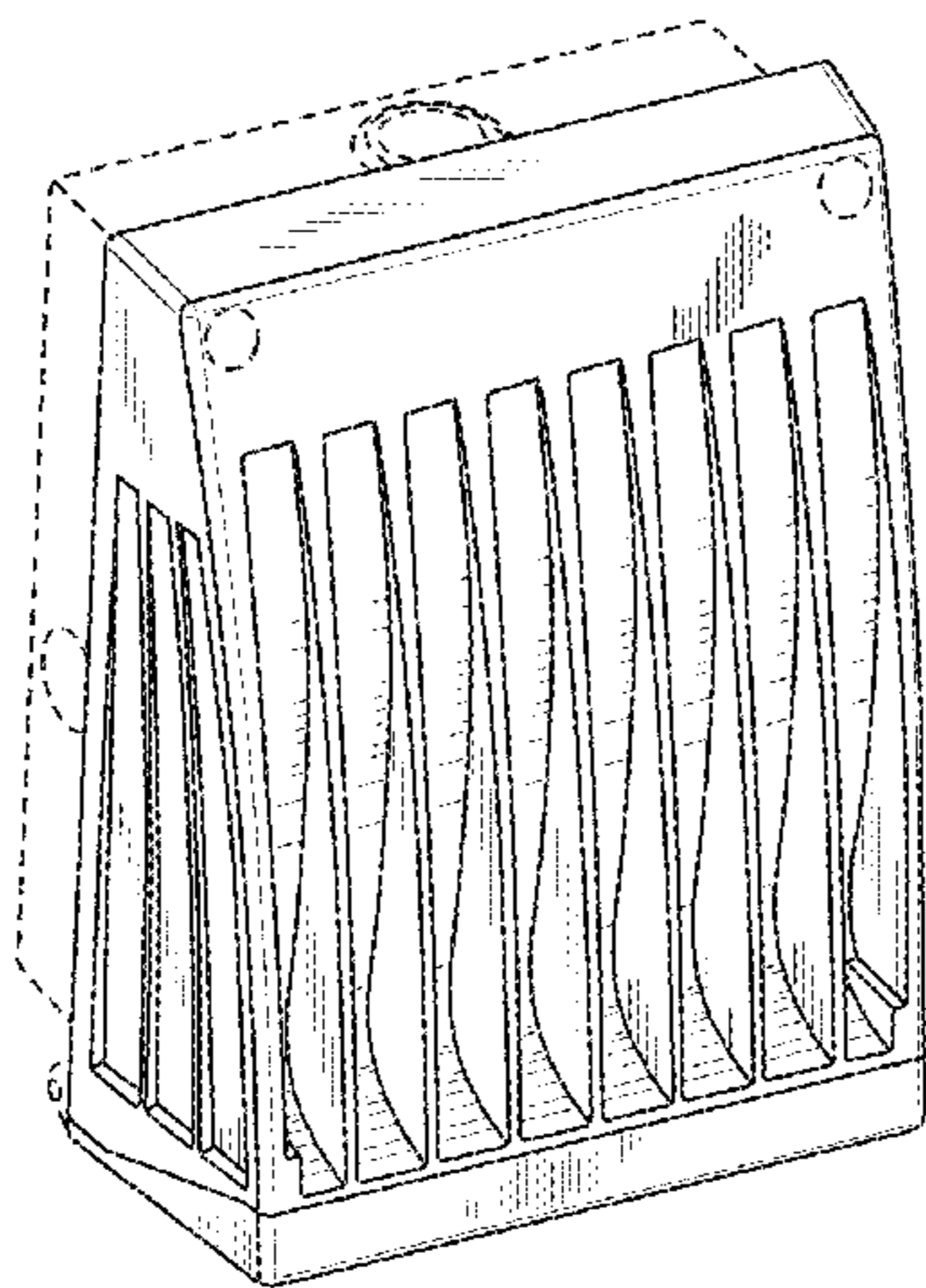
(57) **CLAIM**

The ornamental design for a lighting fixture, as shown and described.

DESCRIPTION

FIG. 1 is a front top left perspective view of a first embodiment of our new design;
 FIG. 2 is a front bottom left perspective view thereof;
 FIG. 3 is a top view thereof;
 FIG. 4 is a bottom view thereof;
 FIG. 5 is a front view thereof;
 FIG. 6 is a rear view thereof; and
 FIG. 7 is a right side view thereof, the left side view being a mirror image thereof.
 FIG. 8 is a front top left perspective view of a second embodiment of our new design;
 FIG. 9 is a front bottom right perspective view thereof;
 FIG. 10 is a top view thereof;
 FIG. 11 is a bottom view thereof;
 FIG. 12 is a front view thereof;
 FIG. 13 is a rear view thereof; and,
 FIG. 14 is a right side view thereof, the left side view being a mirror image thereof.
 The views of the lighting fixture not shown form no part of the claimed design. The dashed lines in the Figures refer to optional features that form no part of the claimed design.

1 Claim, 14 Drawing Sheets



(56)

References Cited

U.S. PATENT DOCUMENTS

D482,153 S 11/2003 McNamara
 D545,987 S 7/2007 Guercio
 D547,477 S 7/2007 Guercio
 D547,478 S 7/2007 Guercio
 D549,380 S 8/2007 Guercio
 D550,387 S 9/2007 Guercio
 D550,392 S 9/2007 Guercio
 D551,789 S 9/2007 Mullen
 D552,282 S 10/2007 Guercio
 D552,283 S 10/2007 Guercio
 D561,369 S 2/2008 Sandell
 D561,370 S 2/2008 Sandell
 D561,376 S 2/2008 Guercio
 D561,377 S 2/2008 Guercio
 D563,587 S 3/2008 Quiogue et al.
 D565,223 S 3/2008 Guercio
 D566,318 S 4/2008 Quiogue et al.
 D574,102 S 7/2008 Quiogue et al.
 D577,146 S 9/2008 Haugaard et al.
 D583,977 S 12/2008 Guercio
 D584,445 S 1/2009 Guercio
 D598,144 S 8/2009 Ko
 D606,691 S 12/2009 Lindholm
 D610,296 S 2/2010 Boissevain et al.
 D618,374 S 6/2010 Guercio
 D625,450 S 10/2010 Rosenkrantz et al.
 D642,719 S 8/2011 Lindholm et al.
 D643,147 S 8/2011 Guercio et al.
 D644,370 S * 8/2011 Lickiss D26/71
 D650,112 S * 12/2011 Bryant D26/85
 D653,377 S * 1/2012 Guercio D26/85
 D659,280 S 5/2012 Guercio et al.
 D668,810 S 10/2012 Bryant
 D670,024 S 10/2012 Green et al.
 D672,492 S * 12/2012 Butler D26/71
 D672,903 S * 12/2012 Toney, Jr. D26/85
 D678,596 S 3/2013 Bryant
 D679,856 S 4/2013 Guercio et al.
 D681,864 S * 5/2013 Guercio D26/85
 D691,320 S 10/2013 Guercio et al.
 D698,978 S 2/2014 Bryant
 D708,778 S 7/2014 Sibitzky et al.
 D710,530 S 8/2014 Chang et al.
 D713,075 S 9/2014 Lee
 D714,990 S * 10/2014 Yu D26/85
 D714,992 S 10/2014 Bryant
 D715,477 S * 10/2014 Yu D26/85
 8,960,971 B1 * 2/2015 Newton F21V 15/01
 362/217.16
 D730,569 S 5/2015 Bryant
 D740,997 S 10/2015 Chang et al.
 D747,533 S 1/2016 Bryant
 RE45,893 E 2/2016 Bryant
 D752,800 S * 3/2016 Yu D26/85
 D772,474 S 11/2016 Chang et al.
 9,506,612 B1 * 11/2016 Badley F21S 9/024
 2010/0014289 A1 1/2010 Thomas et al.
 2012/0268952 A1 * 10/2012 Newton B23P 11/00
 362/368

2015/0176829 A2 6/2015 Guercio et al.
 2015/0292694 A1 10/2015 Newton et al.
 2015/0292723 A1 * 10/2015 Yu F21V 29/76
 362/147
 2015/0308667 A1 * 10/2015 Corkill F21S 8/033
 362/147
 2015/0345770 A1 12/2015 Badley
 2017/0038045 A1 * 2/2017 Liang F21V 21/30

OTHER PUBLICATIONS

“CSXW-LED” by Lithonia Lighting (<http://www.lithonia.com/commercial/csxw-led.html#Uz7GnDfD-Ag>), known at least as early as Jan. 8, 2014, 2 pgs.
 “Laramie LFS LED” by Hubbell Outdoor Lighting, (http://www.hubbelloutdoor.com/products/laramie_lfs_led/?pbid=924038_1208957), known at least as early as Jan. 8, 2014, 2 pgs.
 “VFS Vision Flood Small LED” by Cooper Lighting (http://www.cooperindustries.com/content/dam/public/lighting/products/documents/invue/spec_sheets/invue-vfs-led-101240-sss.pdf), known at least as early as Jan. 8, 2014, 2 pgs.
 Atlas Lighting Products brochure entitled High Performance LED Fixtures—Atlas LED, known at least as early as Jul. 28, 2013, 28 pgs.
 RAB Lighting Spring 2014 LED Catalog, known at least as early as Mar. 2013, 54 pgs.
 Cooper Lighting Products, XTOR Crosstour LED, http://www.cooperindustries.com/content/public/en/lighting/products/outdoor_wall_mount_lighting/_269859.html, known at least as early as Jun. 24, 2016, 1 pg.
 RAB Lighting Products, LED 80W Wallpacks, https://www.rabweb.com/images/features/wpled80/wpled80_datasheet.pdf?source=button&sourcePage=led-80-watt-wallpack-wpled80.php, known at least as early as Jun. 24, 2016, 2 pgs.
 RAB Lighting Products, SLIM LED Wallpacks, <https://www.rabweb.com/low-profile-slim-led-wallpack.php>, known at least as early as Jun. 24, 2016, 7 pgs.
 RAB Lighting Products, SLIM Medium and Large Wallpacks, <https://www.rabweb.com/productLine.php?productLine=SLIM-Medium-and-Large-Wallpacks>, known at least as early as Jun. 24, 2016, 2 pgs.
 Lithonia Lighting Products, TWAC—Contour Series Cutoff Mini Wall Pack, <http://www.lithonia.com/commercial/twac.html#WD2bN00zWdl>, known at least as early as Jun. 24, 2016, 1 pg.
 Lithonia Lighting Products, OLWX1—Low Profile LED Wall Pack, <http://www.lithonia.com/commercial/olwx1.html#WD2caU0zWdl>, known at least as early as Jun. 24, 2016, 1 pg.
 Lithonia Lighting Products, OLWX2—Low Profile LED Wall Pack, <http://www.lithonia.com/commercial/olwx2.html#WD2dCk0zWdl>, known at least as early as Jun. 24, 2016, 1 pg.
 Hubbell Lighting Products, NRG 1100—Full Cutoff Compact Wallpack, http://cdn.hubbelloutdoor.com/content/products/specs/specs_files/nrg1100.pdf, known at least as early as Jun. 24, 2016, 1 pg.
 Hubbell Lighting Products, WGC Series—Wallpack Full Cutoff, http://cdn.hubbelloutdoor.com/content/products/specs/specs_files/wgc.pdf, known at least as early as Jun. 24, 2016, 1 pg.

* cited by examiner

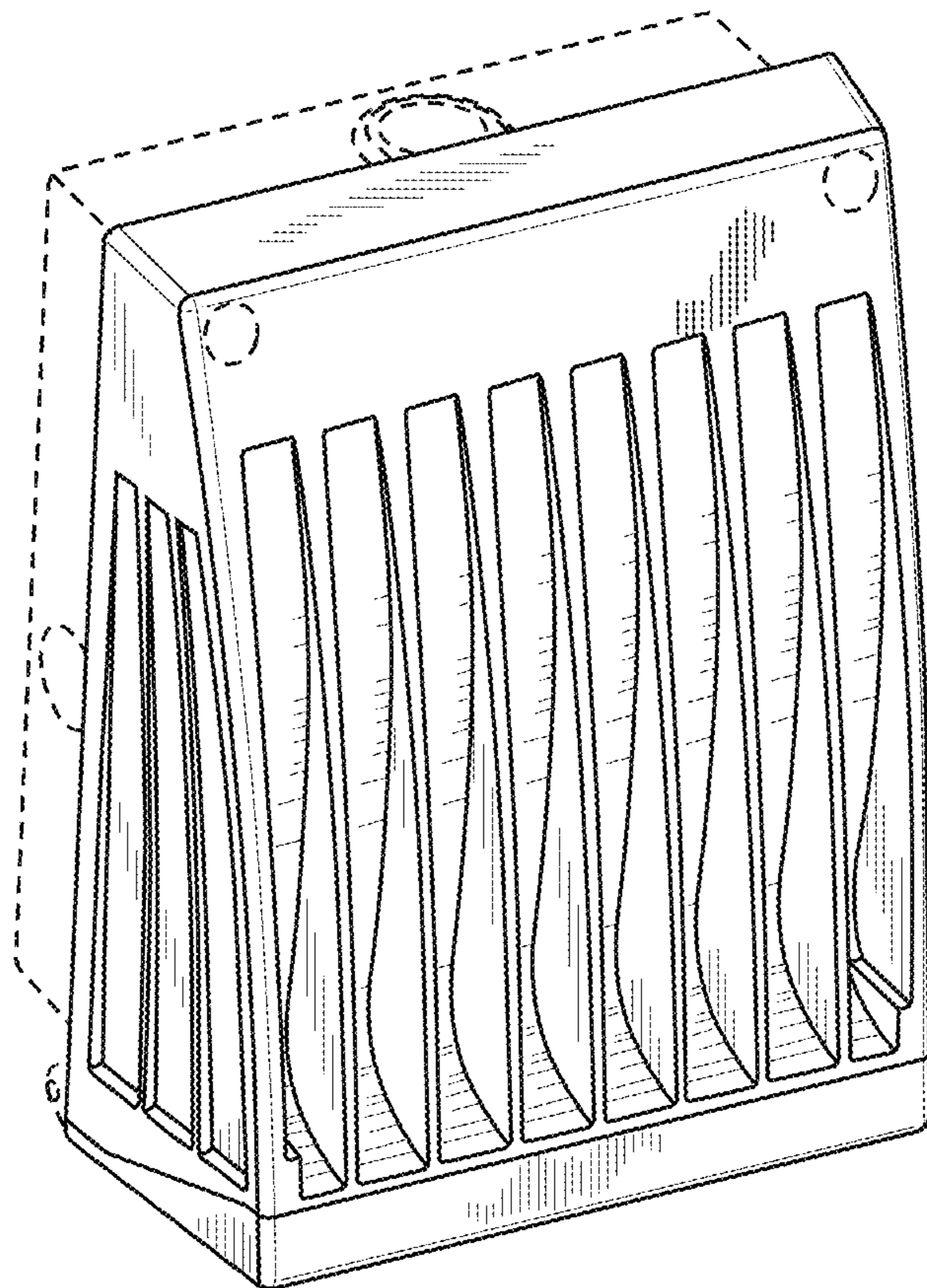


FIG. 1

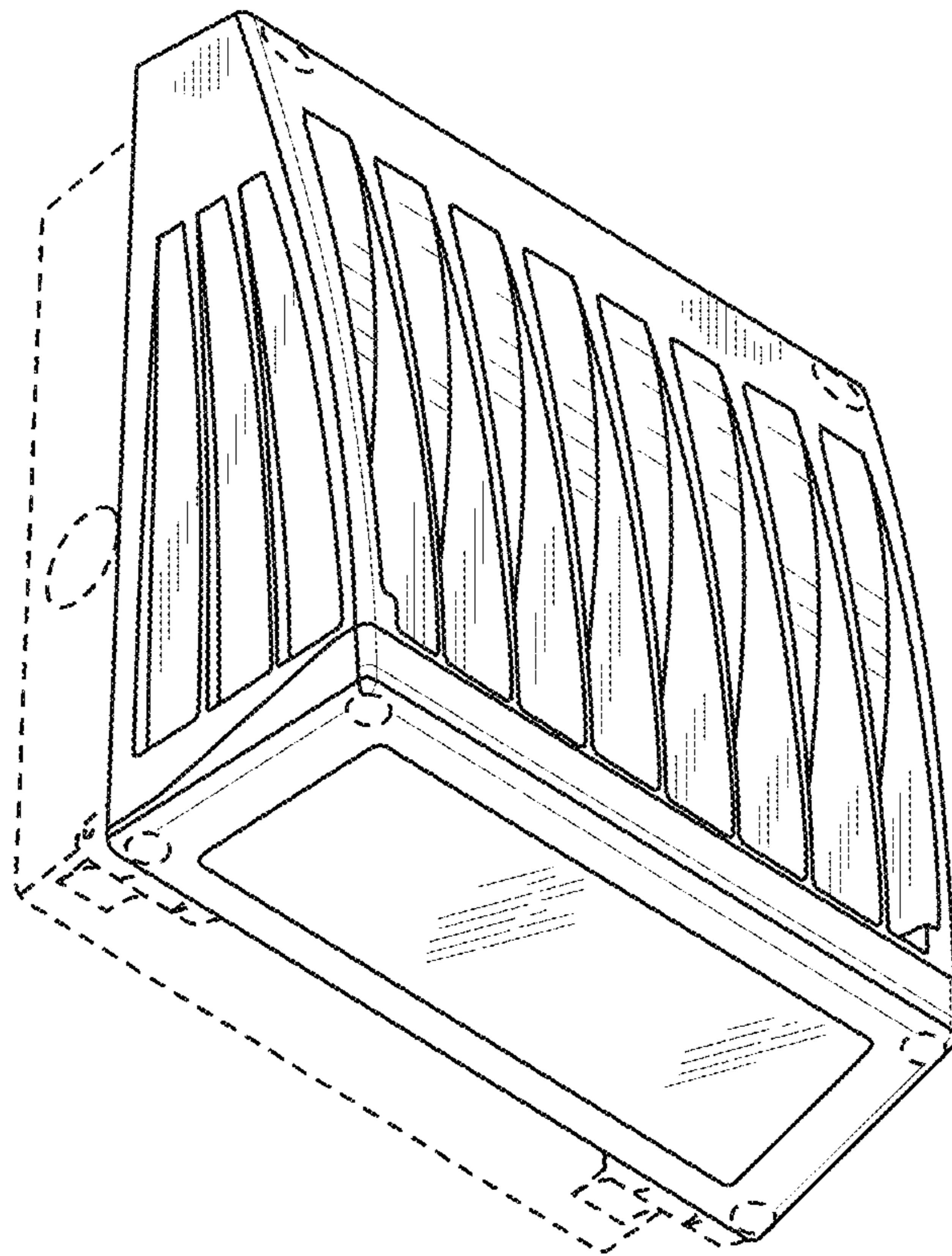


FIG. 2

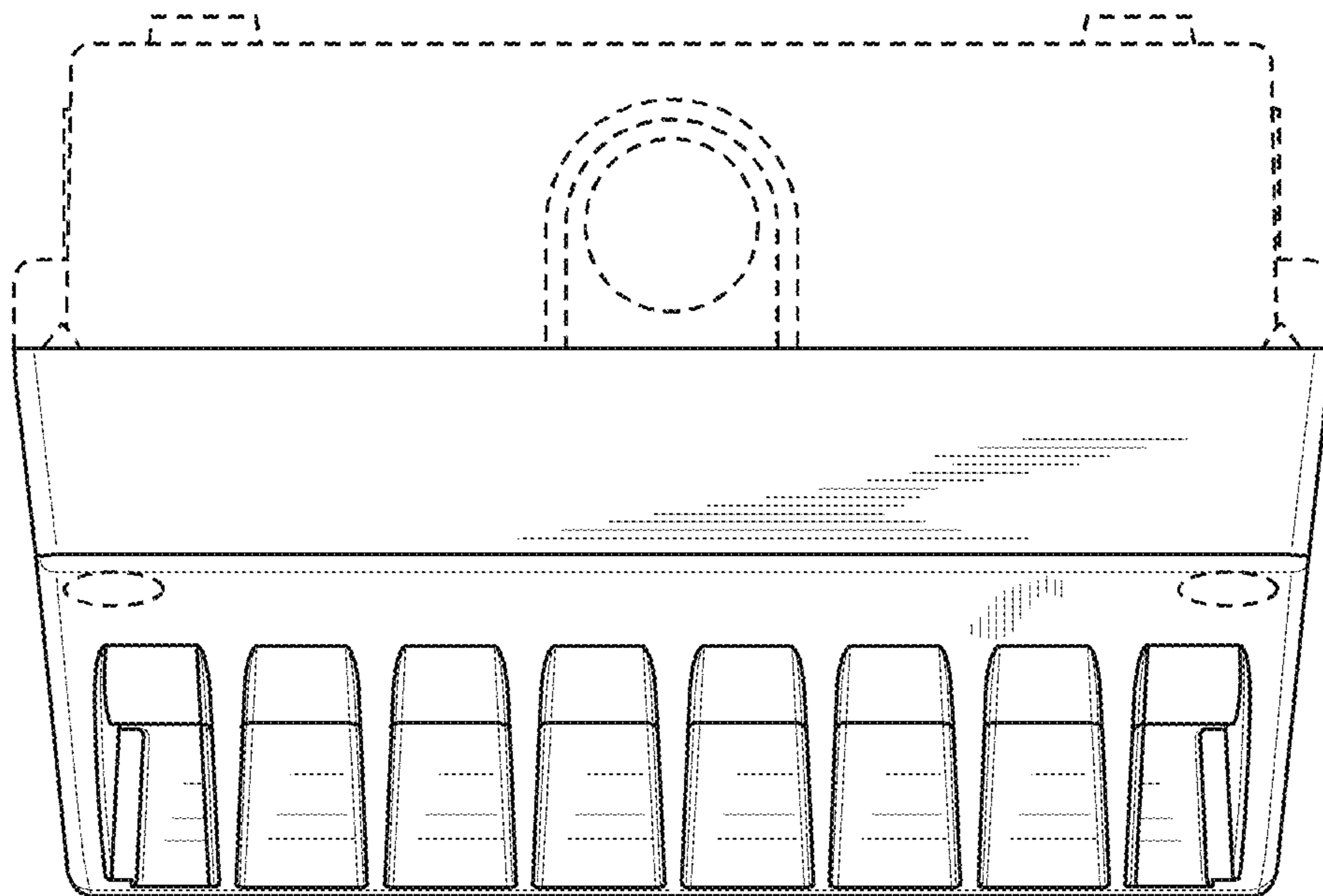


FIG. 3

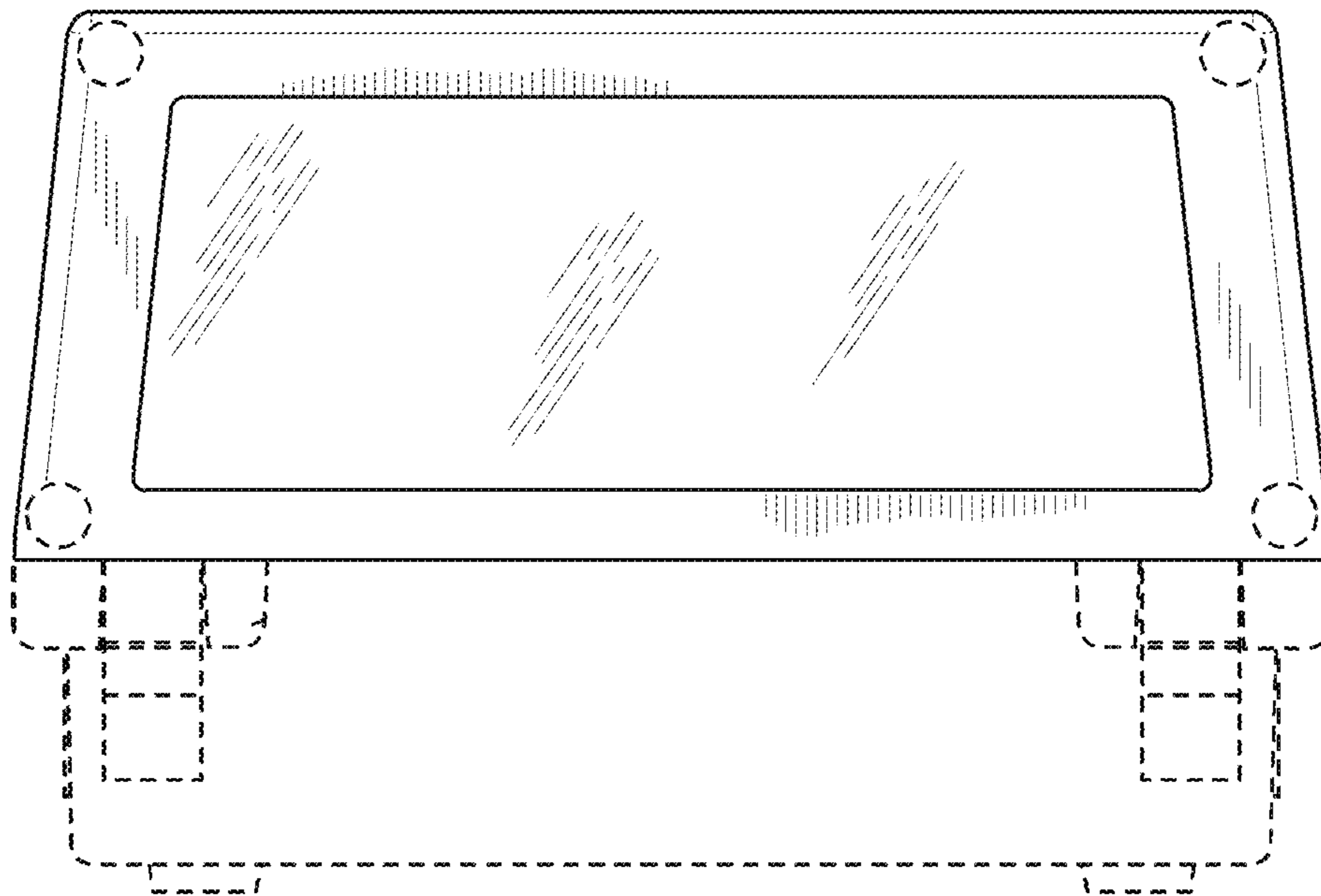


FIG. 4

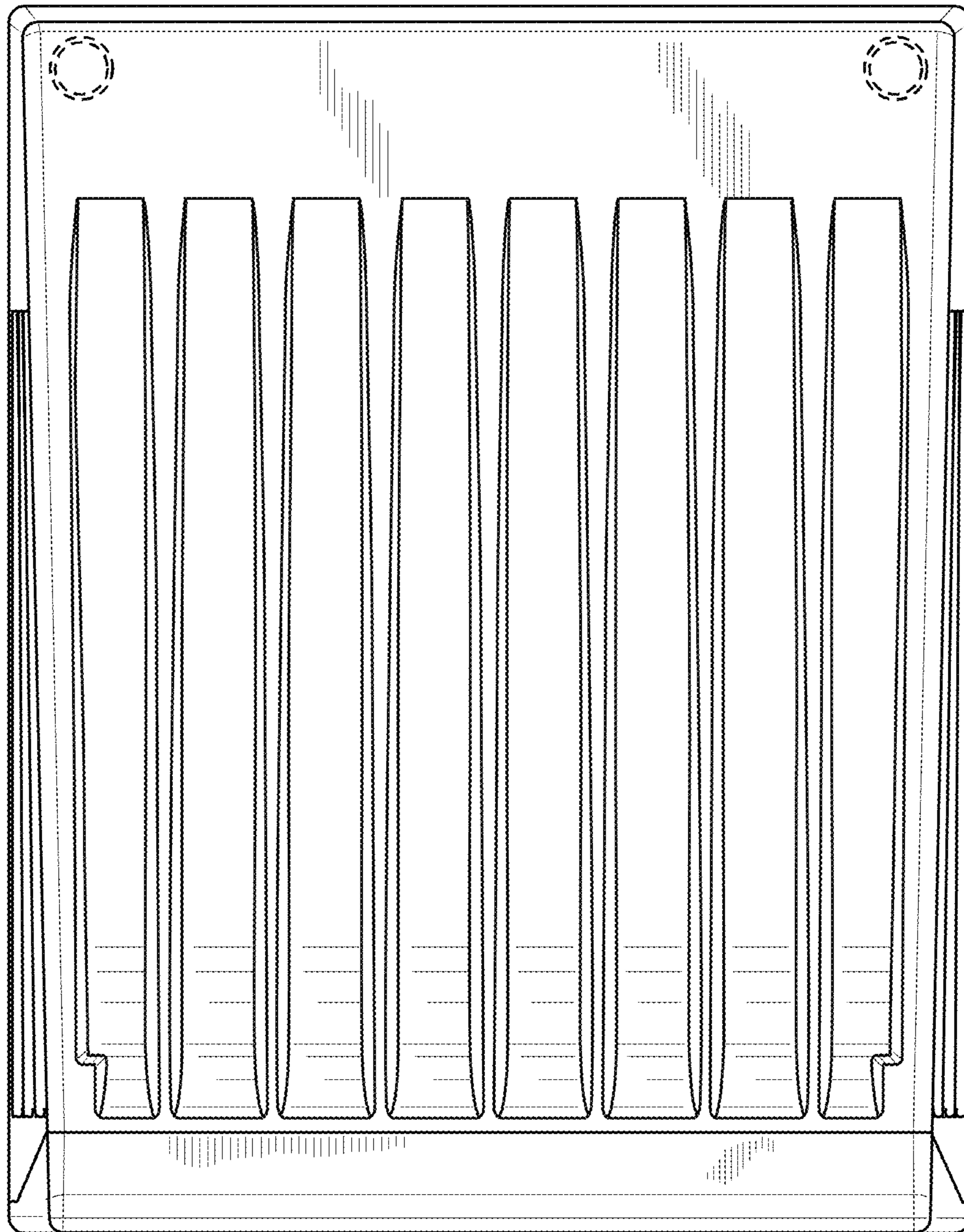


FIG. 5

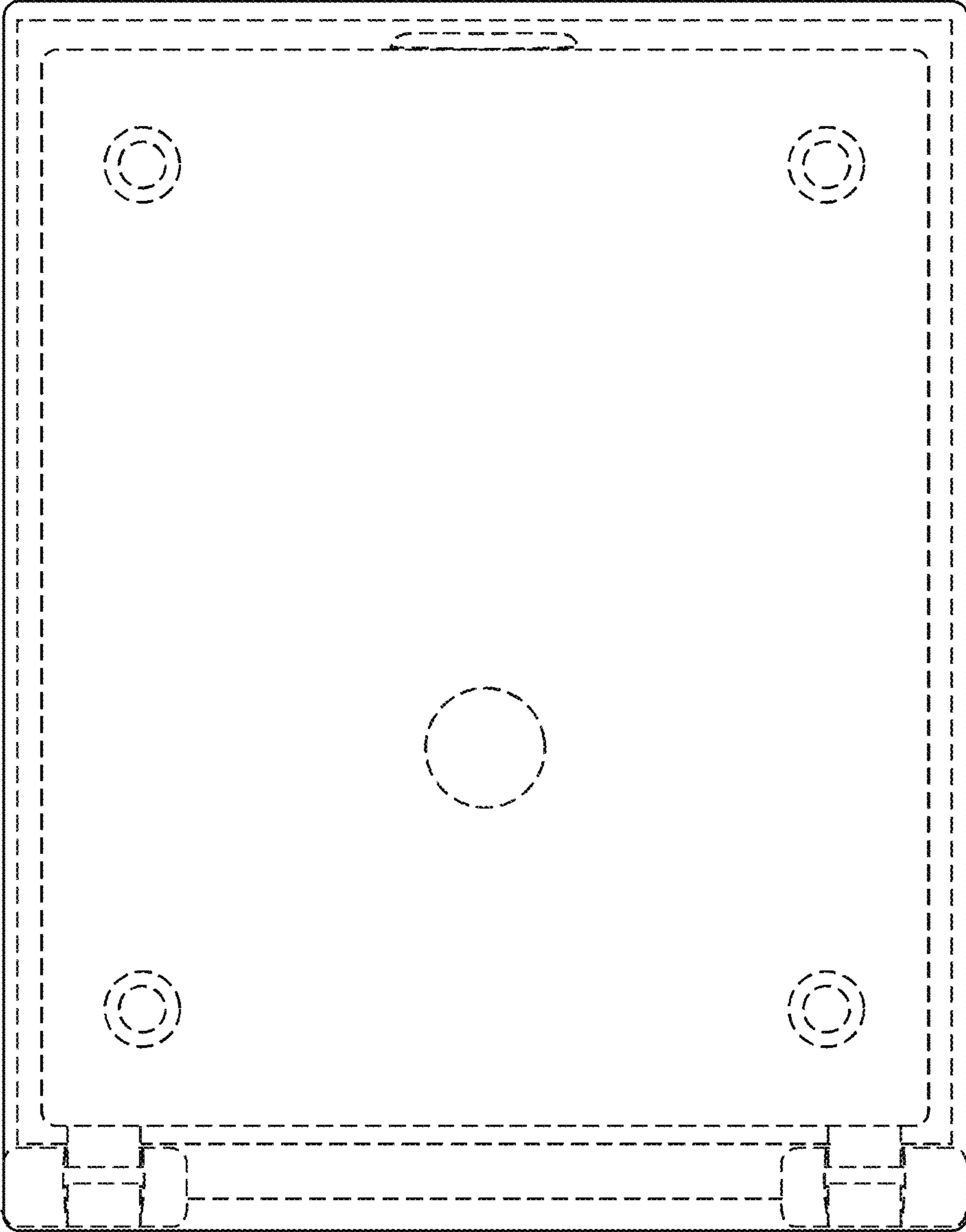


FIG. 6

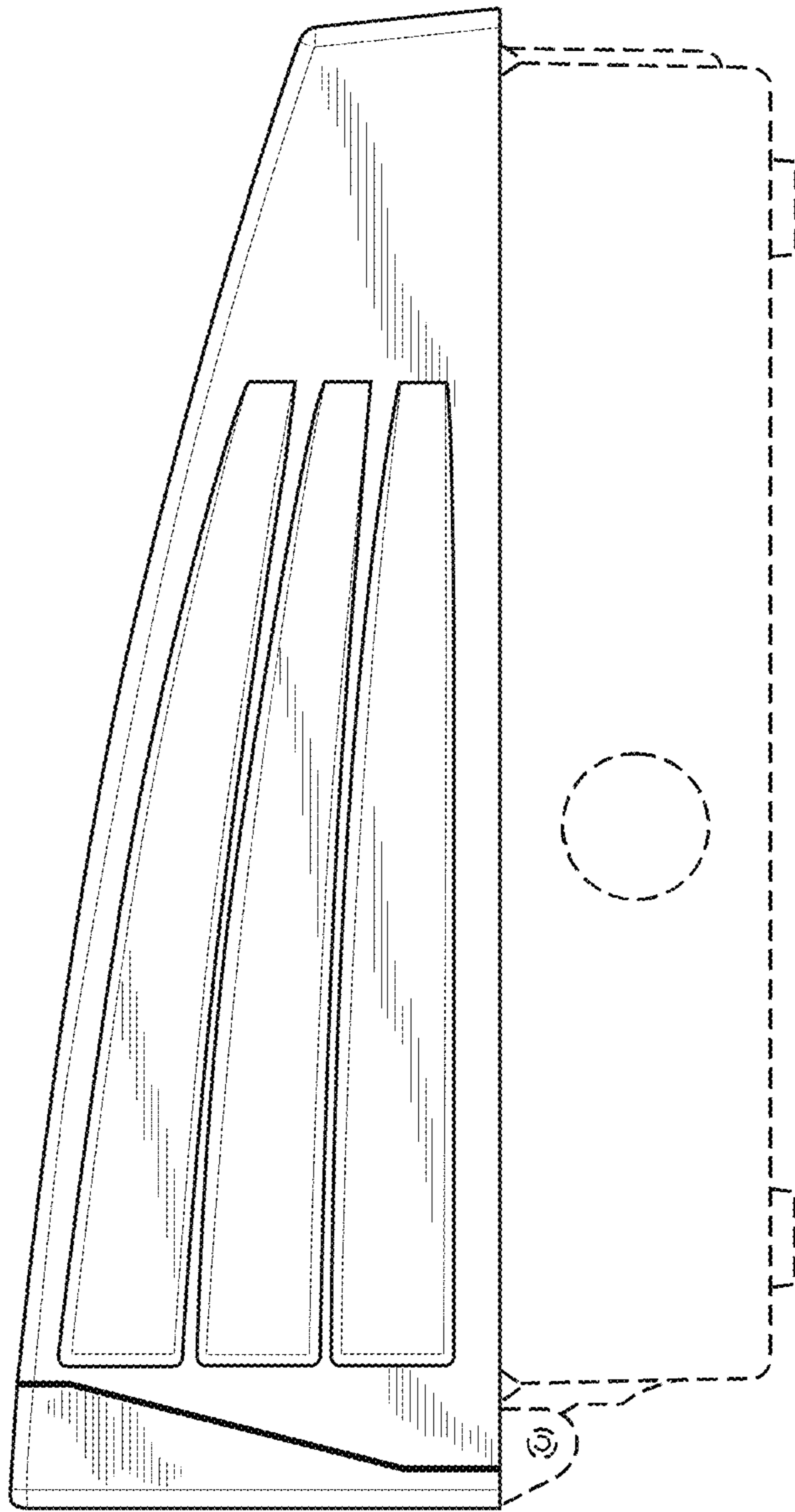


FIG. 7

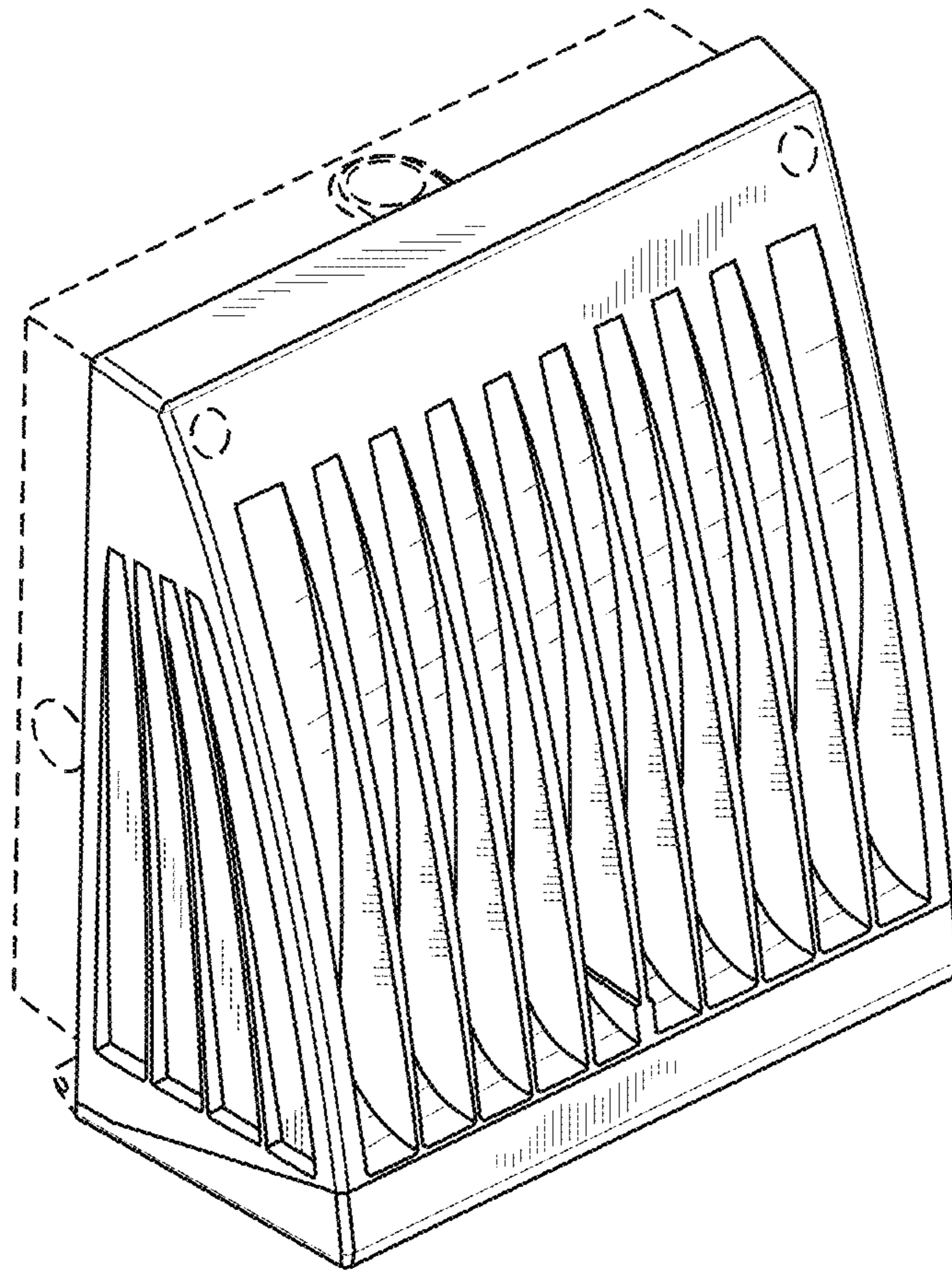


FIG. 8

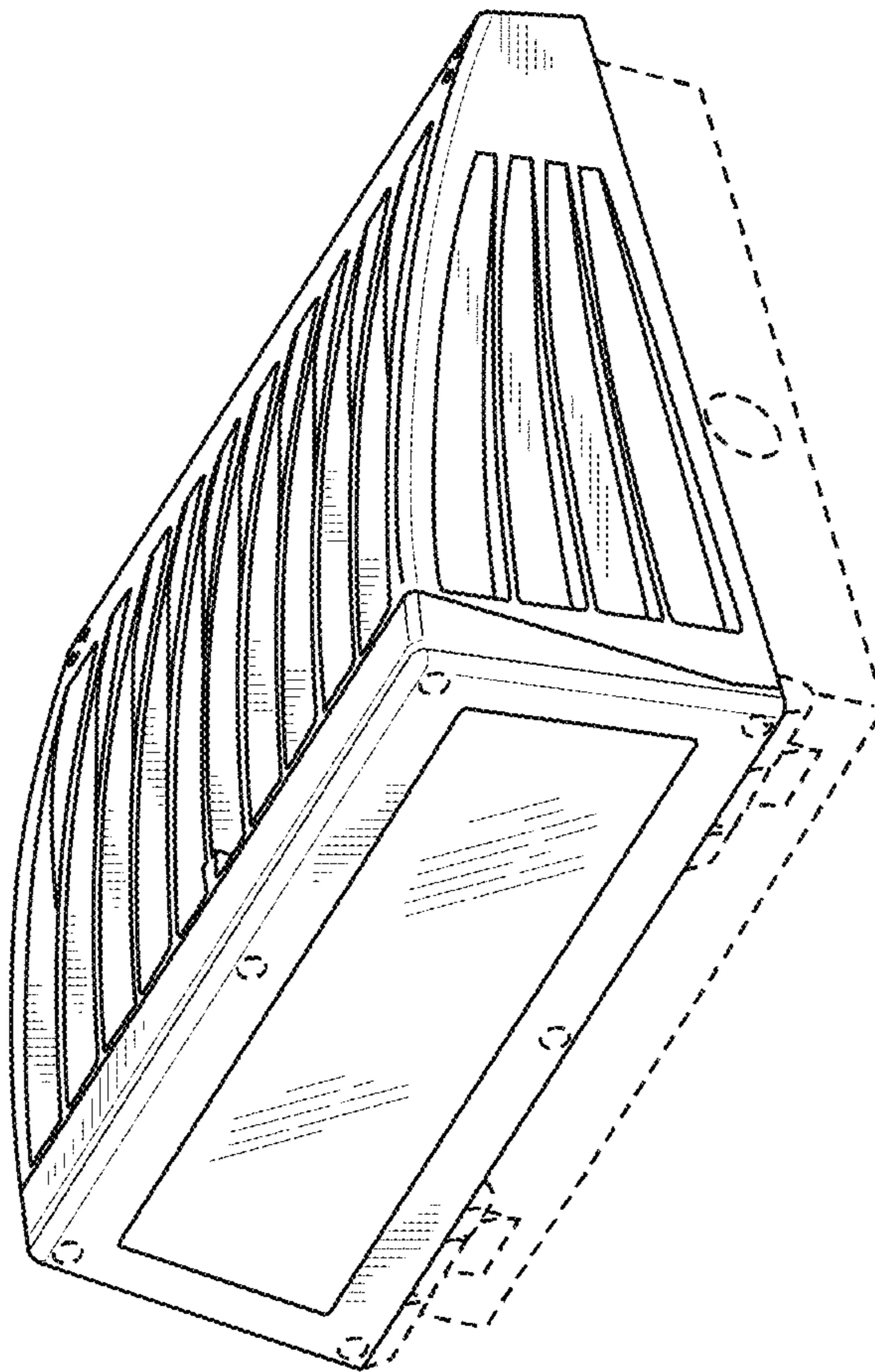


FIG. 9

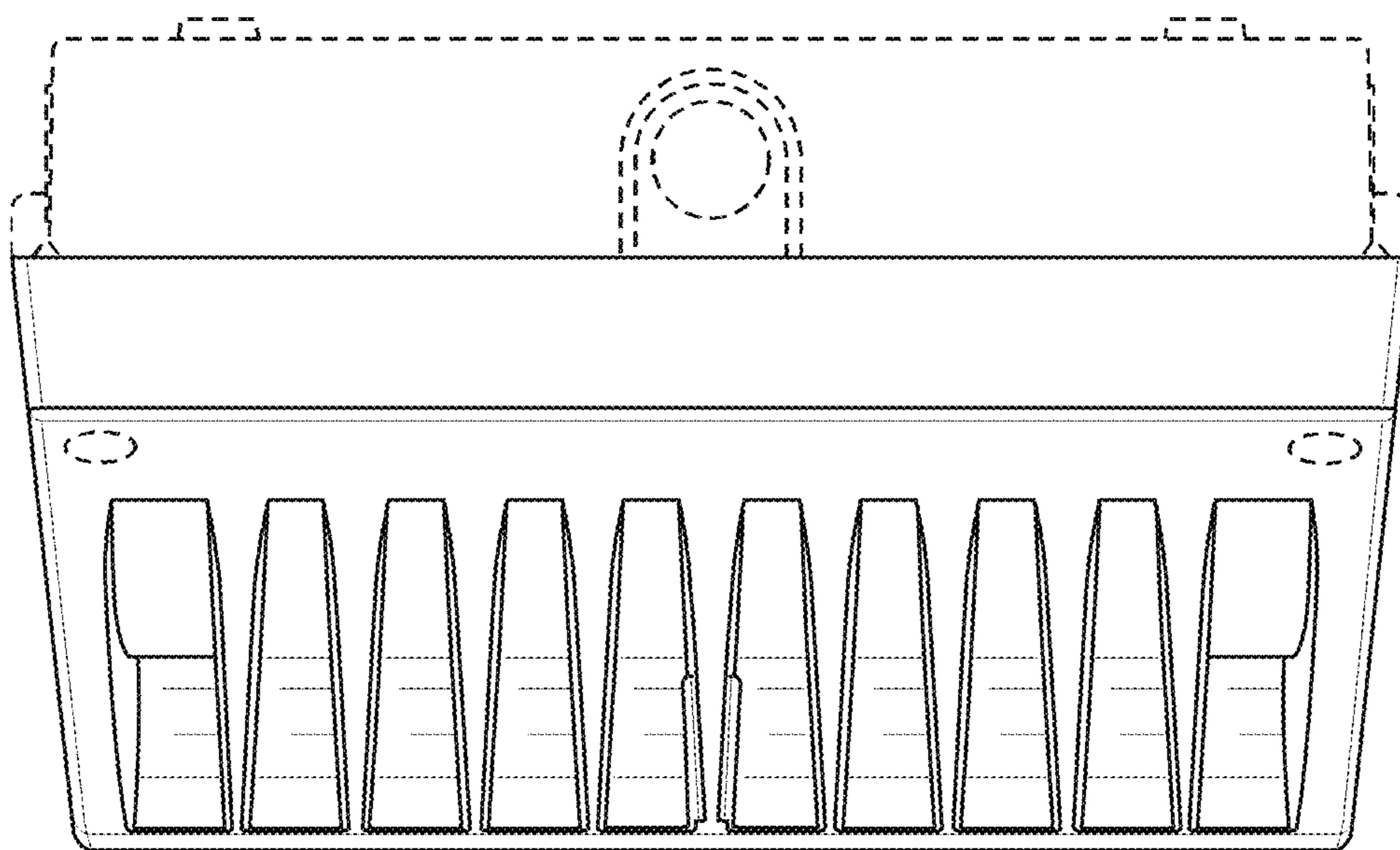


FIG. 10

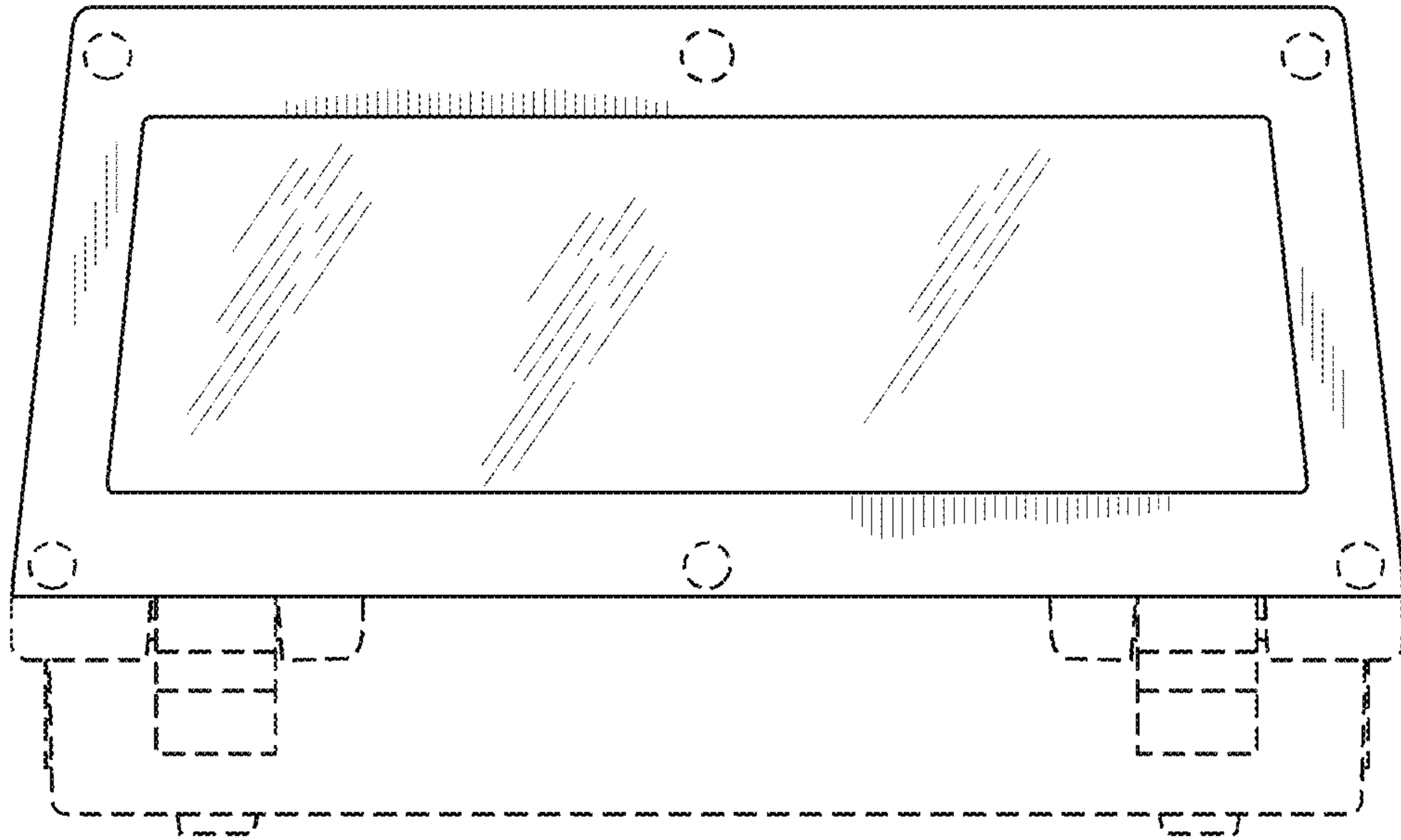


FIG. 11

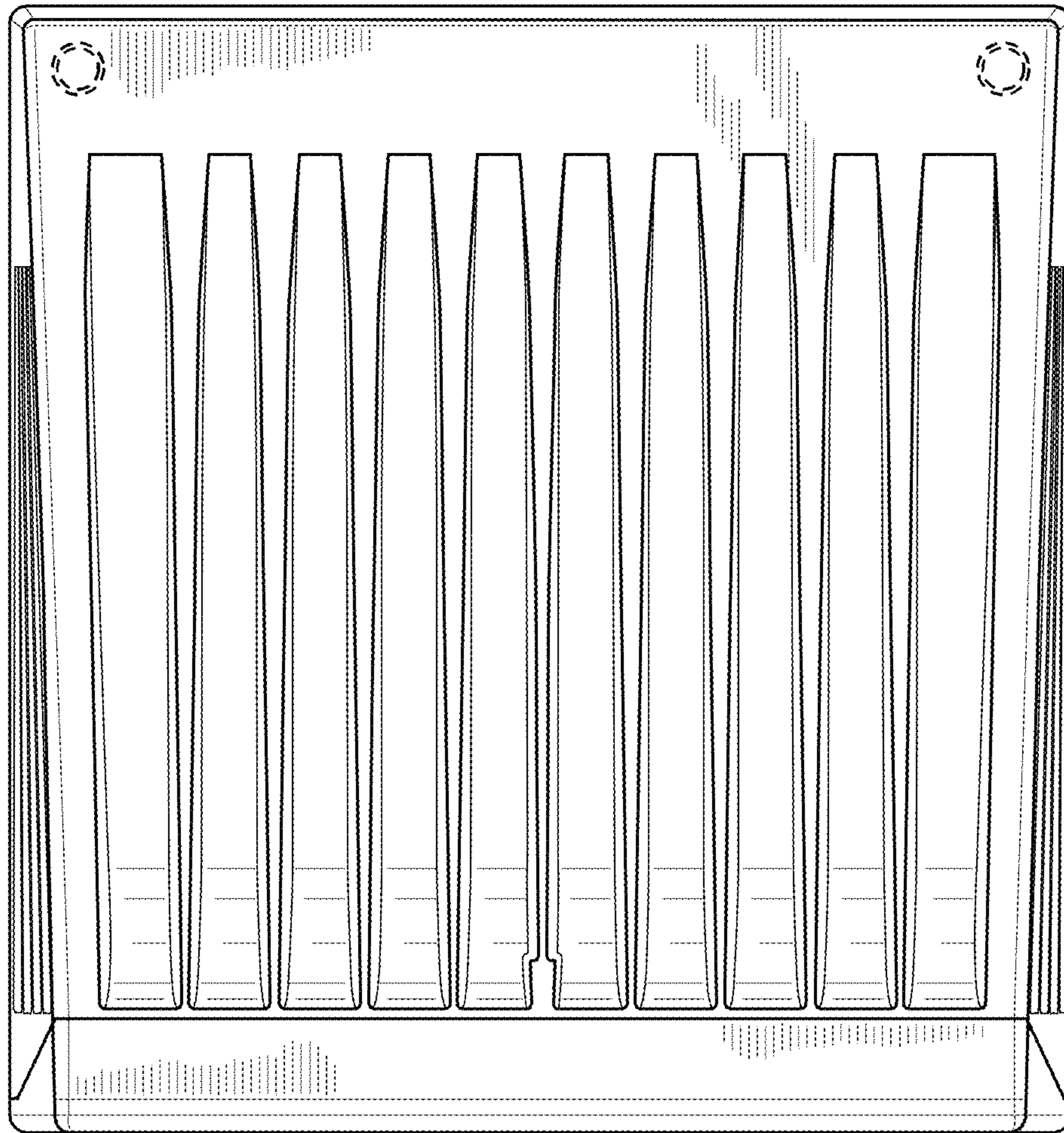


FIG. 12

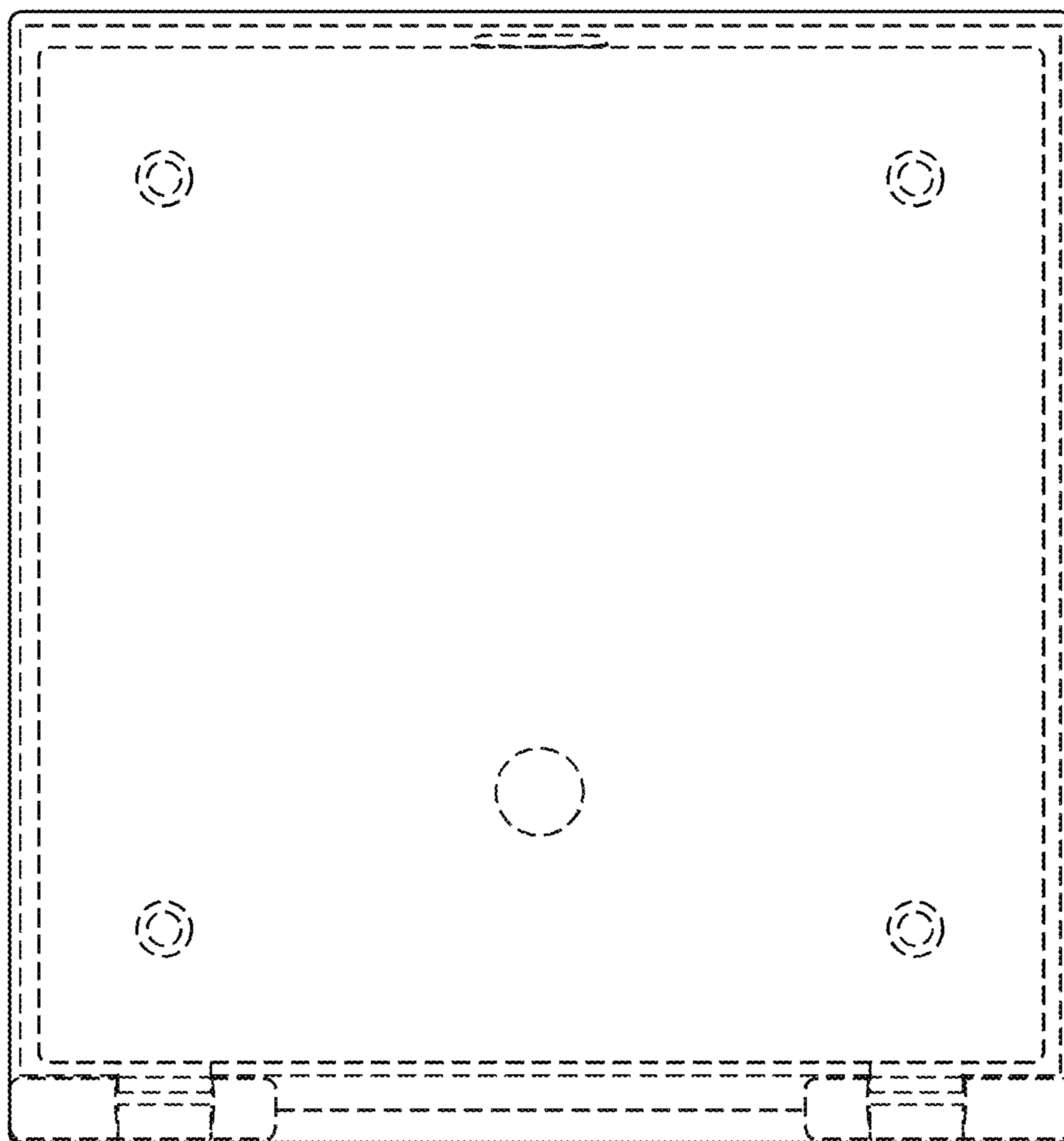


FIG. 13

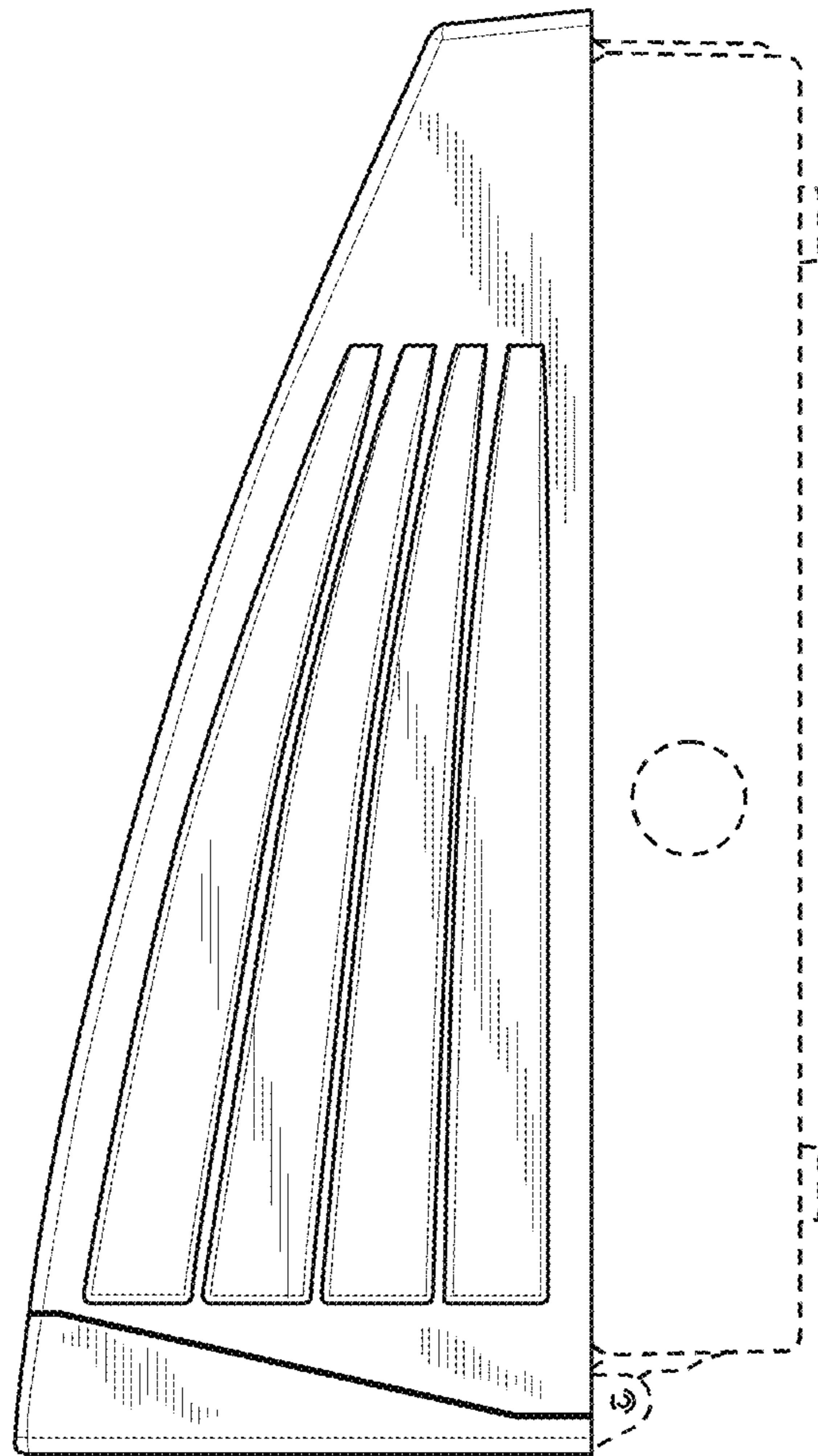


FIG. 14