



US00D808566S

(12) **United States Design Patent**  
**Goetz-Schaefer**

(10) **Patent No.:** **US D808,566 S**  
(45) **Date of Patent:** **\*\* Jan. 23, 2018**

- (54) **LUMINAIRE**
- (71) Applicant: **ZUMTOBEL LIGHTING GMBH**,  
Lemgo (DE)
- (72) Inventor: **Katharina Goetz-Schaefer**, Bad  
Salzufen (DE)
- (73) Assignee: **ZUMTOBEL LIGHTING GMBH**,  
Lemgo (DE)

D521,675 S *	5/2006	Chen	.....	D26/76
7,036,955 B2 *	5/2006	Kazi	.....	F21V 15/01 362/219
D581,079 S *	11/2008	Mier-Langner	.....	D26/72
D602,189 S *	10/2009	Zambelli	.....	D26/76
D663,065 S *	7/2012	Beghelli	.....	D26/76
D664,700 S *	7/2012	Ferguson	.....	D26/76
D667,157 S *	9/2012	Ferguson	.....	D26/76
D667,585 S *	9/2012	Yamazaki	.....	D26/80
D690,452 S *	9/2013	Payne	.....	D26/80
D695,443 S *	12/2013	Kaule	.....	D26/76

(Continued)

(\*\*) Term: **15 Years**

(21) Appl. No.: **29/559,058**

(22) Filed: **Mar. 24, 2016**

(30) **Foreign Application Priority Data**

Sep. 24, 2015 (EM) ..... 002 778 613

(51) **LOC (11) Cl.** ..... **26-04**

(52) **U.S. Cl.**  
USPC ..... **D26/76**

(58) **Field of Classification Search**  
USPC ..... D26/2, 3, 26, 27, 40, 42, 43, 60, 70, 72,  
D26/74-83, 88, 89, 91, 104, 106, 113,  
D26/119, 120, 122, 137, 135, 152, 153  
CPC ..... F21S 2/00; F21S 4/20; F21S 8/00; F21S  
8/02; F21S 8/031; F21S 8/035; F21S  
8/037; F21S 9/00; F21V 21/005; F21V  
33/00

See application file for complete search history.

(56) **References Cited**

**U.S. PATENT DOCUMENTS**

D205,302 S *	7/1966	Wince	.....	D26/71
5,226,724 A *	7/1993	Kanarek	.....	F21S 2/00 362/151
6,431,726 B1 *	8/2002	Barton	.....	F21V 17/007 362/217.05
6,536,924 B2 *	3/2003	Segretto	.....	F21S 2/005 362/247
D520,667 S *	5/2006	Jae-Sung	.....	D26/25

**OTHER PUBLICATIONS**

Slot light infinity (available online Sep. 29, 2015) Retrieved from the internet Mar. 3, 2017, retrieved from the internet URL: <https://www.zumtobel.com/gb-en/products/slotlightinfinity.html>.\*

*Primary Examiner* — Garth Rademaker

*Assistant Examiner* — Richard Kearney

(74) *Attorney, Agent, or Firm* — Scully Scott Murphy and Presser; Frank DiGiglio

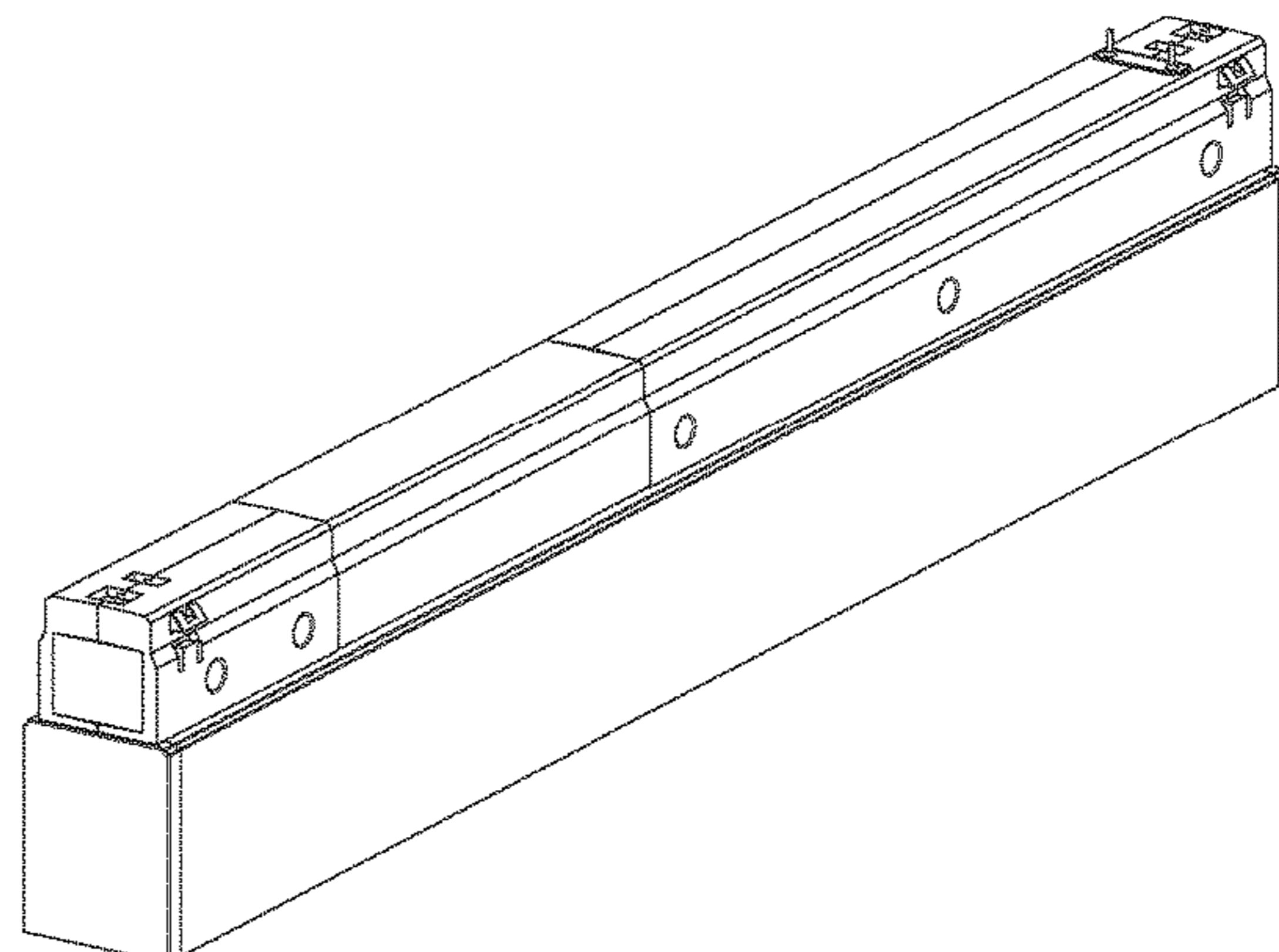
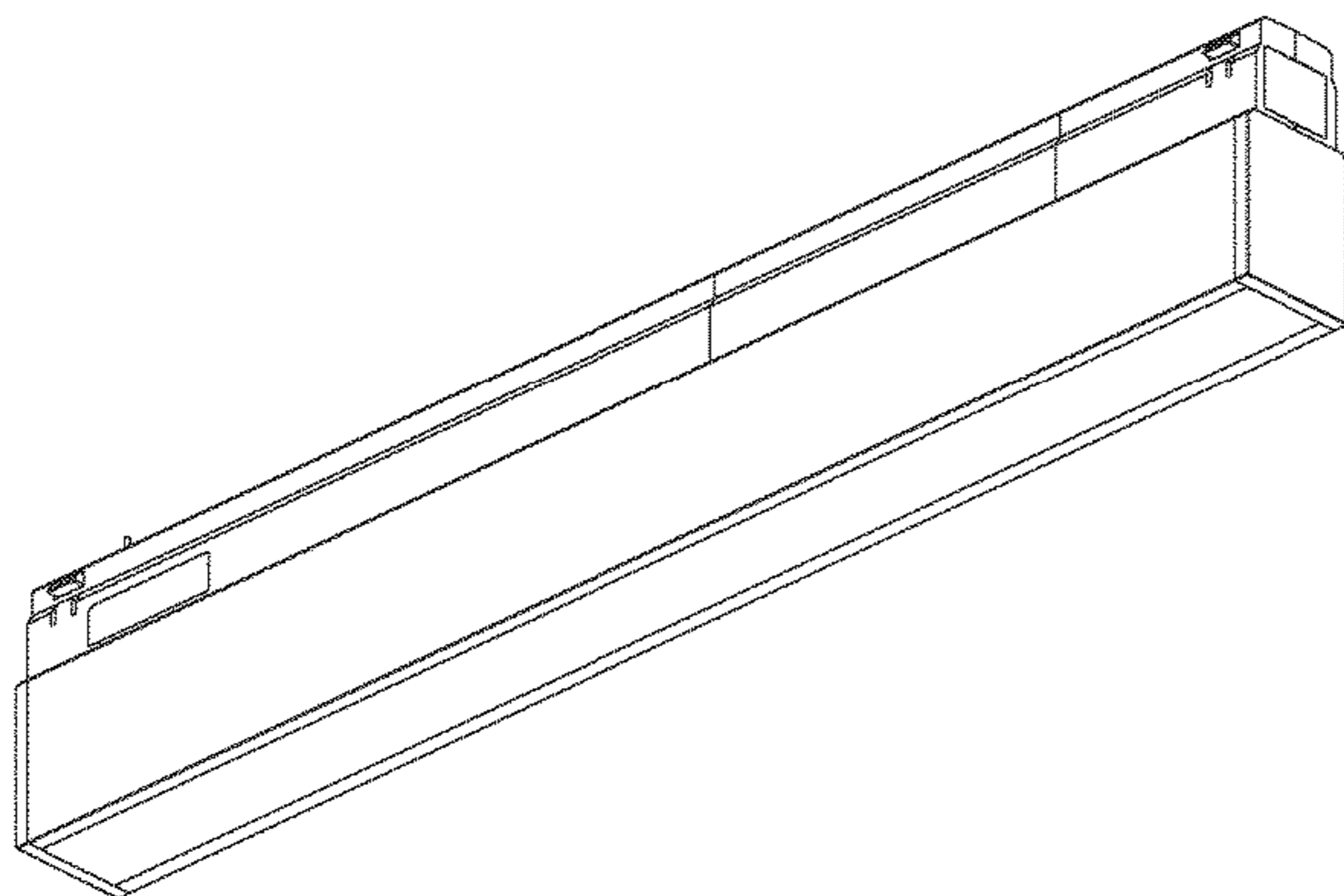
(57) **CLAIM**

The ornamental design for a luminaire, as shown and described.

**DESCRIPTION**

FIG. 1 shows a front, bottom, right side perspective view of a luminaire;  
FIG. 2 shows a back, top, right side perspective view thereof;  
FIG. 3 shows a front elevation view thereof;  
FIG. 4 shows a back elevation view thereof;  
FIG. 5 shows a side elevation view thereof;  
FIG. 6 shows a bottom plan view thereof; and,  
FIG. 7 shows a top plan view thereof.  
The broken line showing of a luminaire is included for the purpose of illustrating portions of the article that form no part of the claimed design.

**1 Claim, 7 Drawing Sheets**



(56)

**References Cited**

U.S. PATENT DOCUMENTS

D709,636 S \* 7/2014 Murata ..... D26/72  
D766,487 S \* 9/2016 Cai ..... D26/76  
D775,395 S \* 12/2016 Huyghe ..... D26/80  
D791,998 S \* 7/2017 Lonsdale ..... D26/76  
2015/0354795 A1\* 12/2015 Ladstaetter ..... F21S 2/00  
362/217.05  
2016/0327252 A1\* 11/2016 Ray ..... F21V 21/008  
2017/0051894 A1\* 2/2017 Farrell ..... F21V 15/015

\* cited by examiner

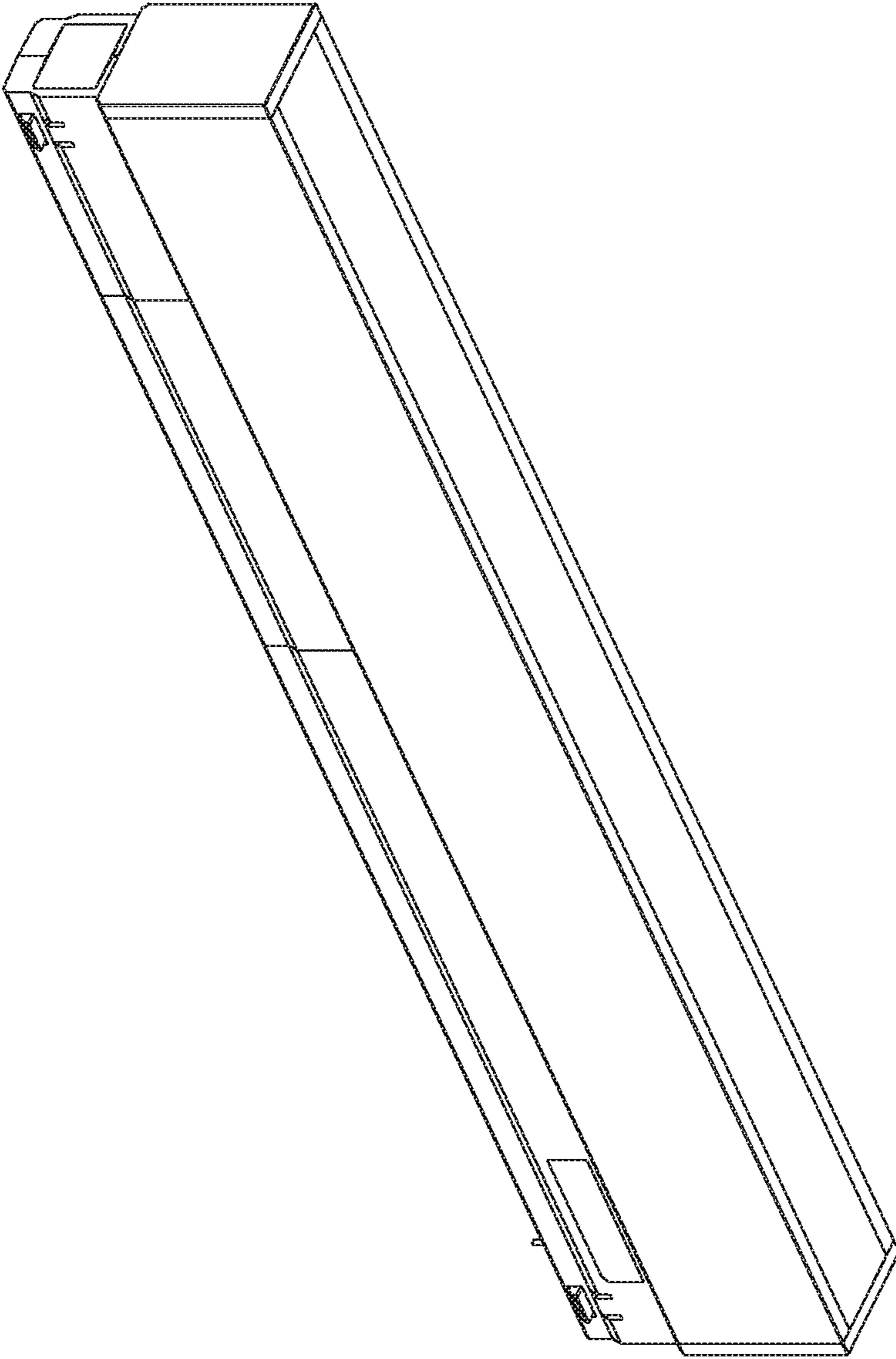


FIG. 1

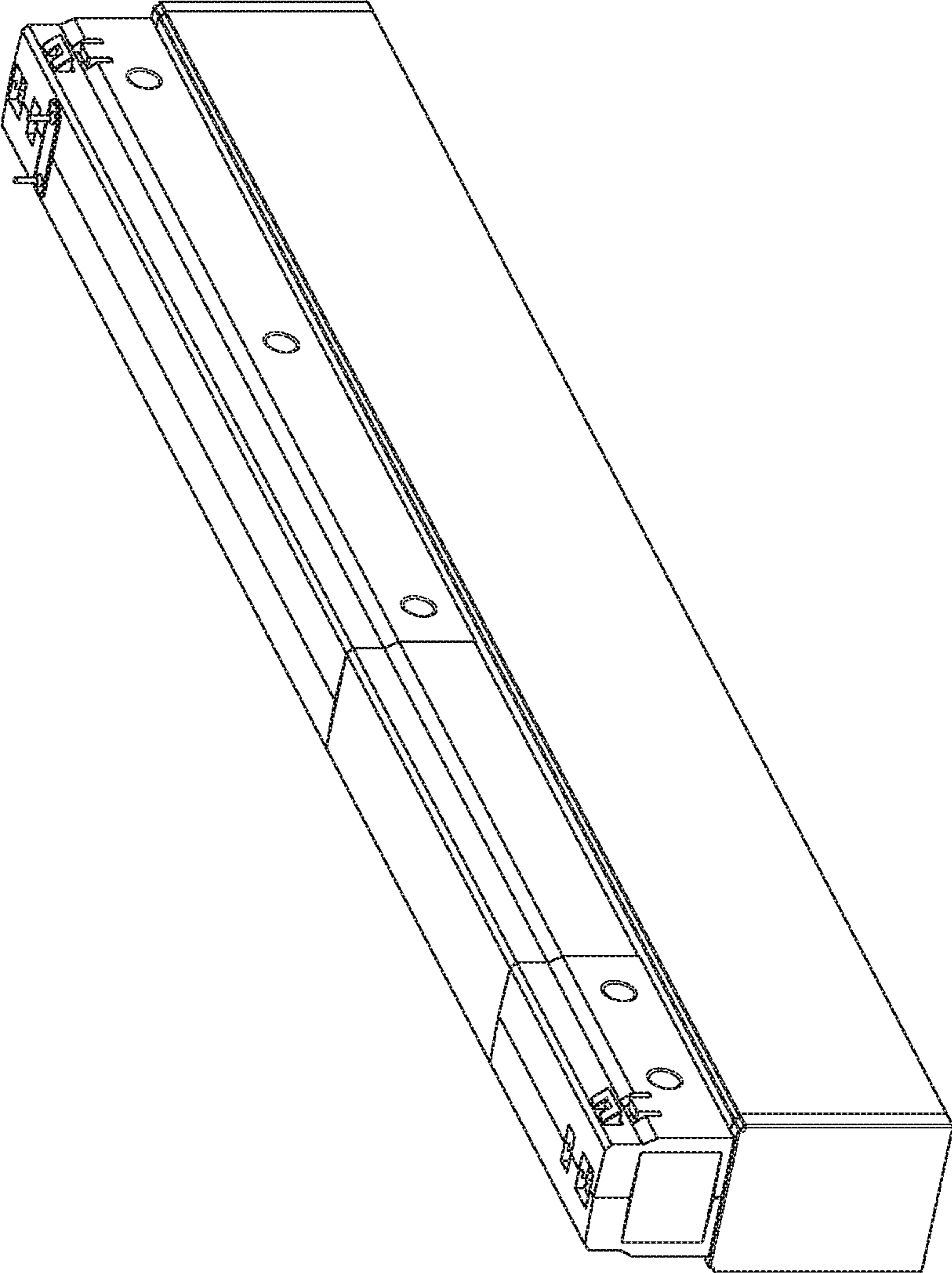


FIG. 2

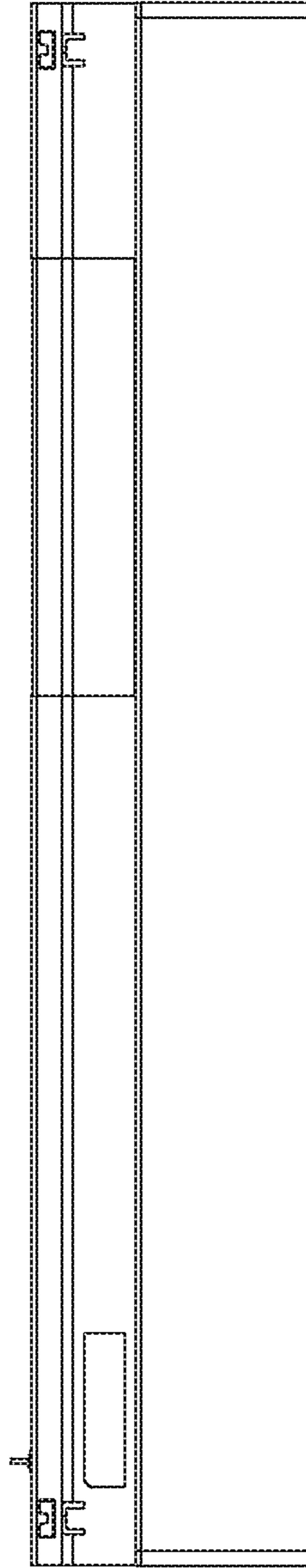


FIG. 3

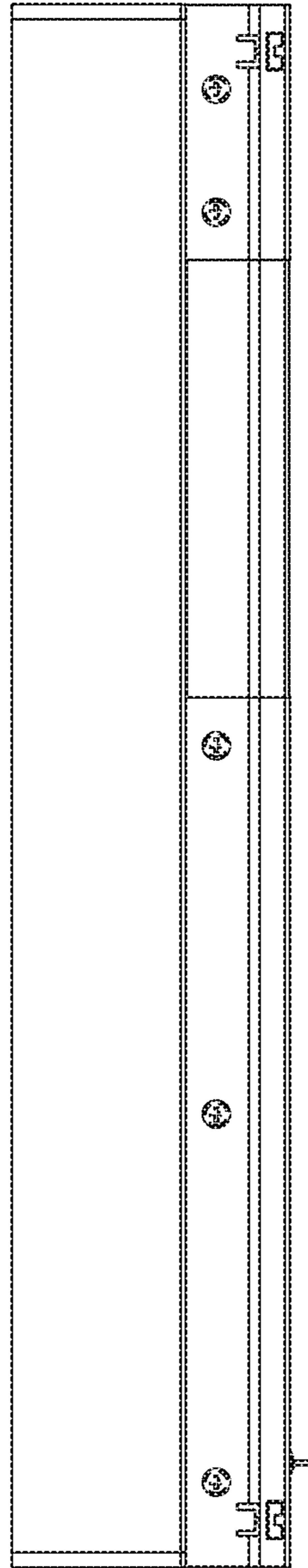


FIG. 4

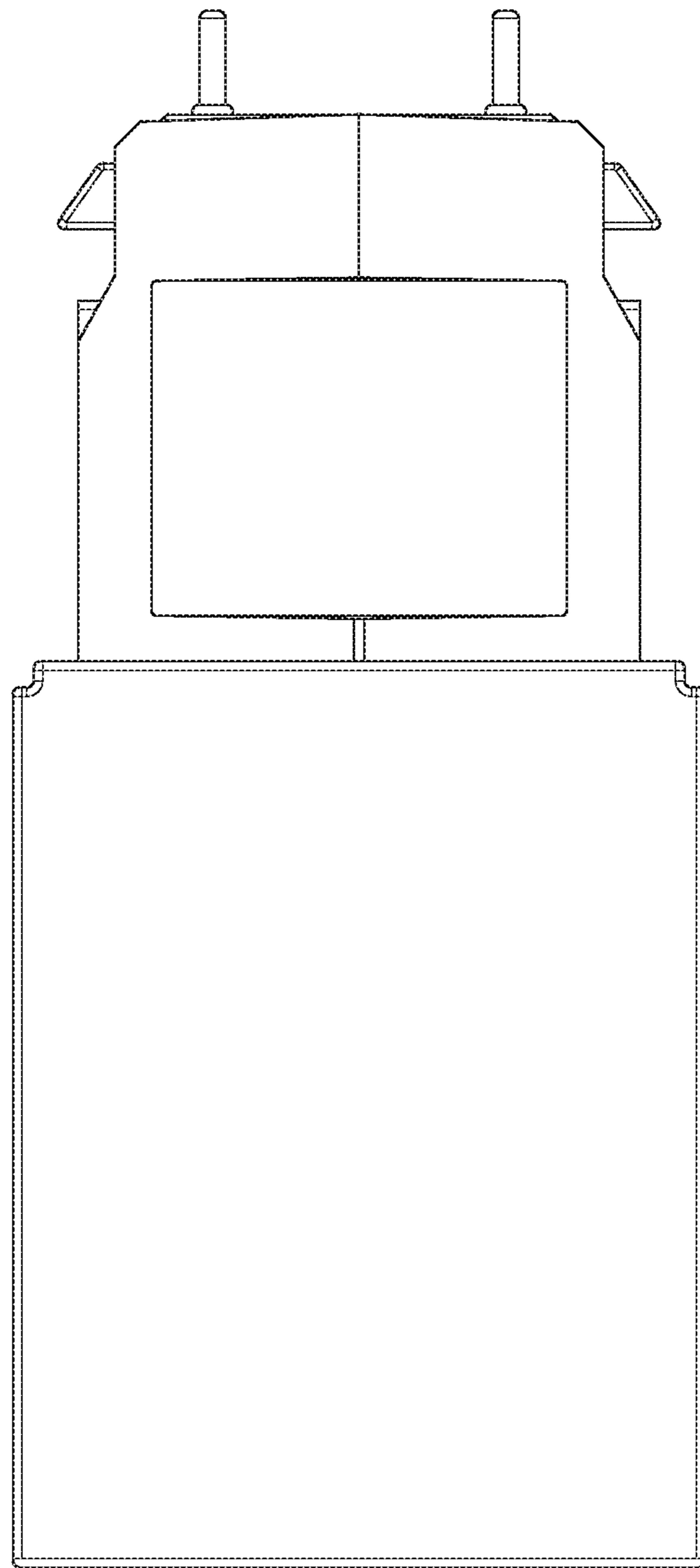


FIG. 5

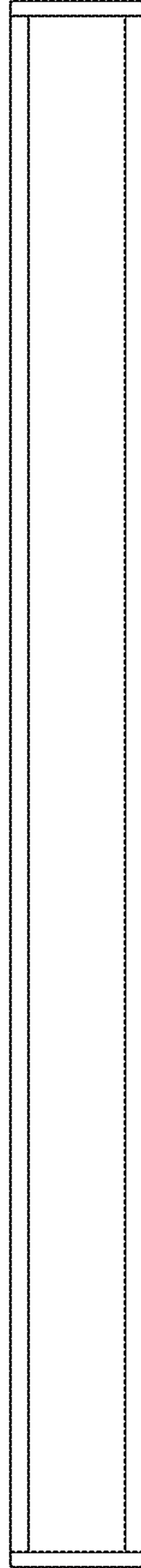


FIG. 6



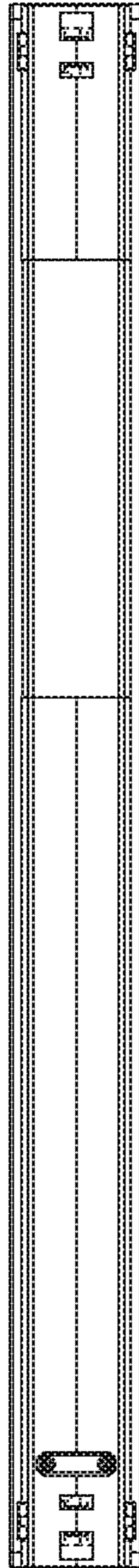


FIG. 7