



US00D808564S

(12) **United States Design Patent**
Zheng et al.

(10) **Patent No.:** **US D808,564 S**
(45) **Date of Patent:** **** Jan. 23, 2018**

(54) **CANOPY LIGHT**

(71) Applicant: **MESTER LED LIMITED**, Shenzhen (CN)

(72) Inventors: **Shuqiong Zheng**, Guangdong (CN);
Ping Li, Hunan (CN); **Ya Yin**, Hunan (CN)

(73) Assignee: **MESTER LED LIMITED**, Shenzhen (CN)

(**) Term: **15 Years**

(21) Appl. No.: **29/576,219**

(22) Filed: **Sep. 1, 2016**

(30) **Foreign Application Priority Data**

Jun. 23, 2016 (CN) 2016 3 0273224

(51) **LOC (11) Cl.** **26-05**

(52) **U.S. Cl.**

USPC **D26/72; D26/89**

(58) **Field of Classification Search**

USPC D26/72, 80, 83, 85, 88, 89

CPC F21S 8/03; F21S 8/04; F21S 8/043; F21S 8/06; F21S 8/061; F21S 8/063; F21V 21/008; F21V 21/02; F21V 29/2212; F21V 29/767; F21V 29/77; F21V 29/777; F21V 29/78

See application file for complete search history.

(56) **References Cited**

U.S. PATENT DOCUMENTS

D481,822 S * 11/2003 Wang D26/72
D624,686 S * 9/2010 Toney, Jr. D26/72

D667,587 S * 9/2012 Wilcox F21V 29/70 D26/89
D684,718 S * 6/2013 Ko D26/72
D691,762 S * 10/2013 Sieczkowski D26/89
D703,861 S * 4/2014 Holland D26/89
D705,471 S * 5/2014 Kim D26/72
D747,534 S * 1/2016 Guercio D26/89
D769,509 S * 10/2016 Chen D26/89
D783,884 S * 4/2017 Li D26/89
D784,592 S * 4/2017 Gan D26/72
D785,225 S * 4/2017 Gan D26/72
D785,230 S * 4/2017 Shundong D26/89

* cited by examiner

Primary Examiner — Clare E Heflin

(57) **CLAIM**

The ornamental design for a canopy light, as shown and described.

DESCRIPTION

FIG. 1 is a front elevational view of a canopy light showing our new design;

FIG. 2 is a rear elevational view thereof;

FIG. 3 is a left side view thereof;

FIG. 4 is a right side view thereof;

FIG. 5 is a top plan view thereof;

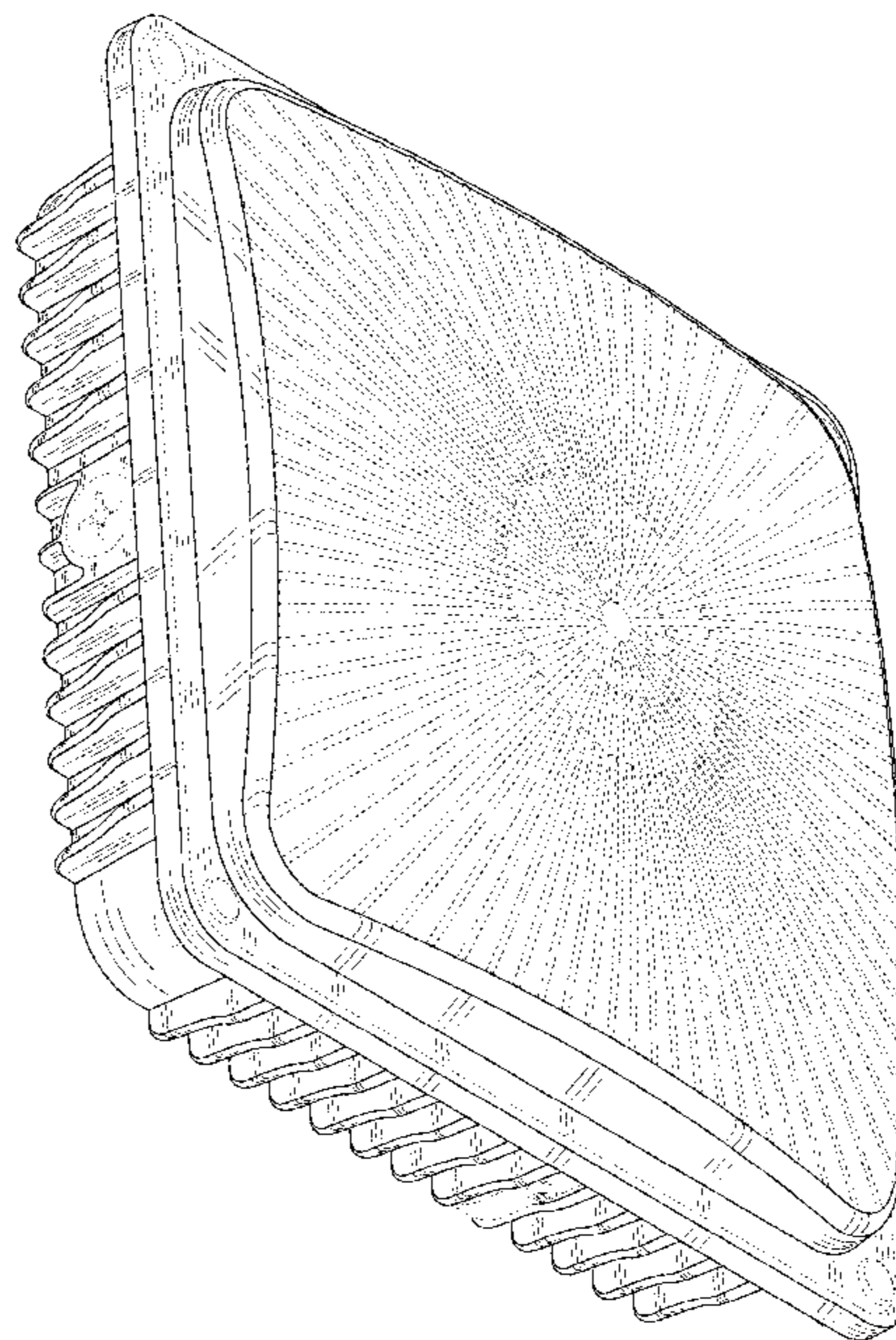
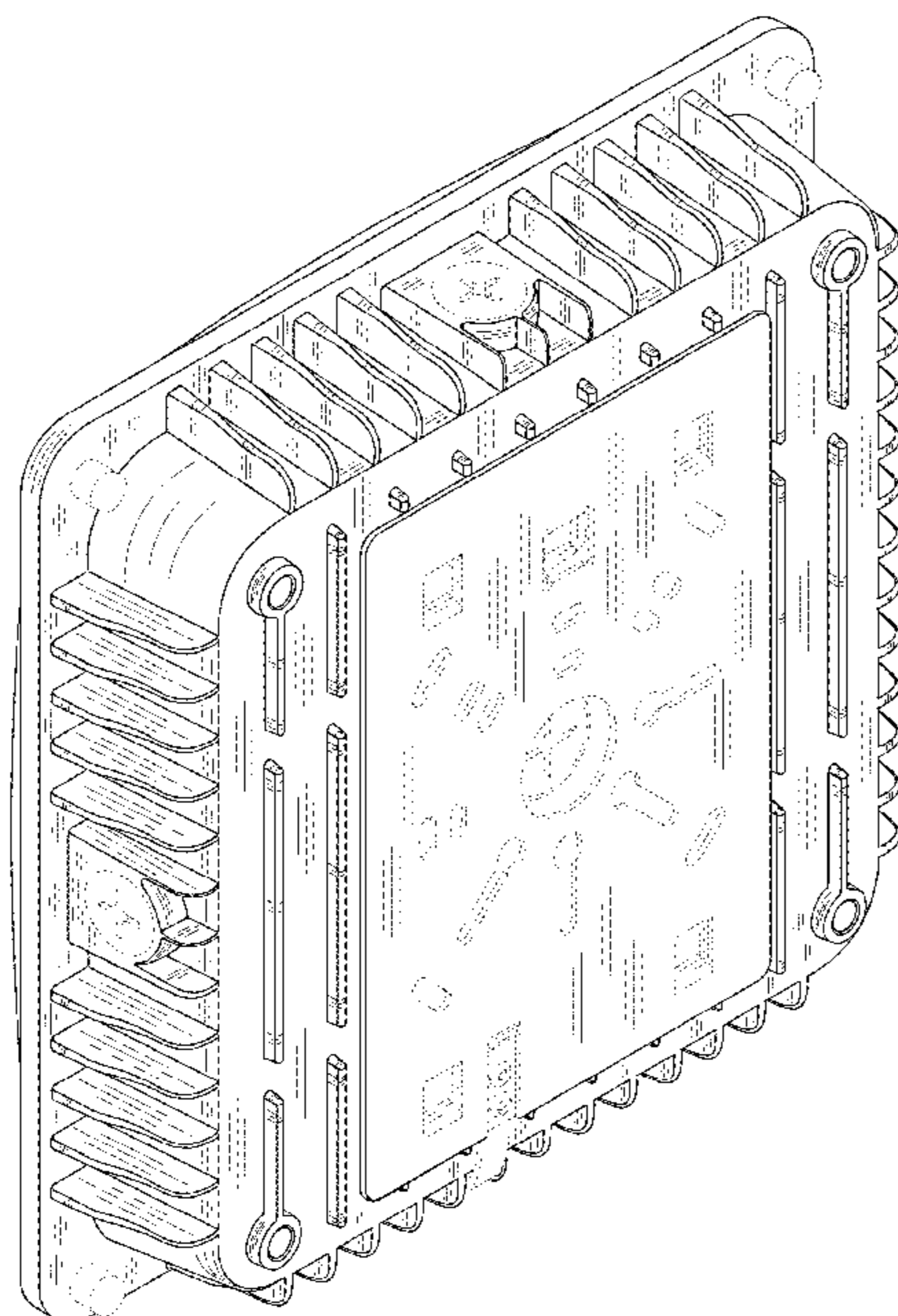
FIG. 6 is a bottom plan view thereof;

FIG. 7 is a first perspective view thereof; and,

FIG. 8 is a second perspective view thereof.

The broken lines in the drawings illustrate portions of the canopy light which form no part of the claimed design.

1 Claim, 8 Drawing Sheets



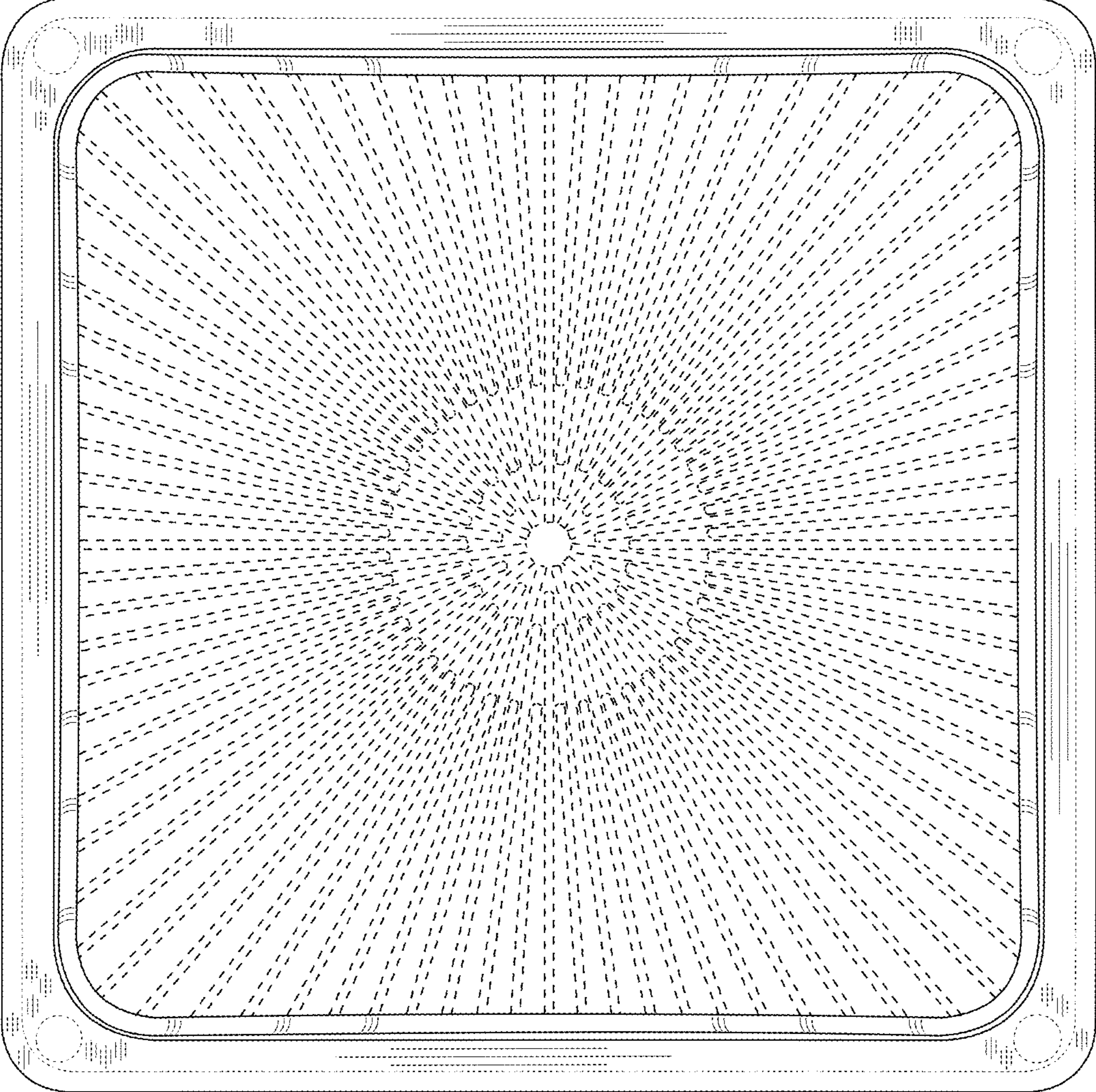


Fig. 1

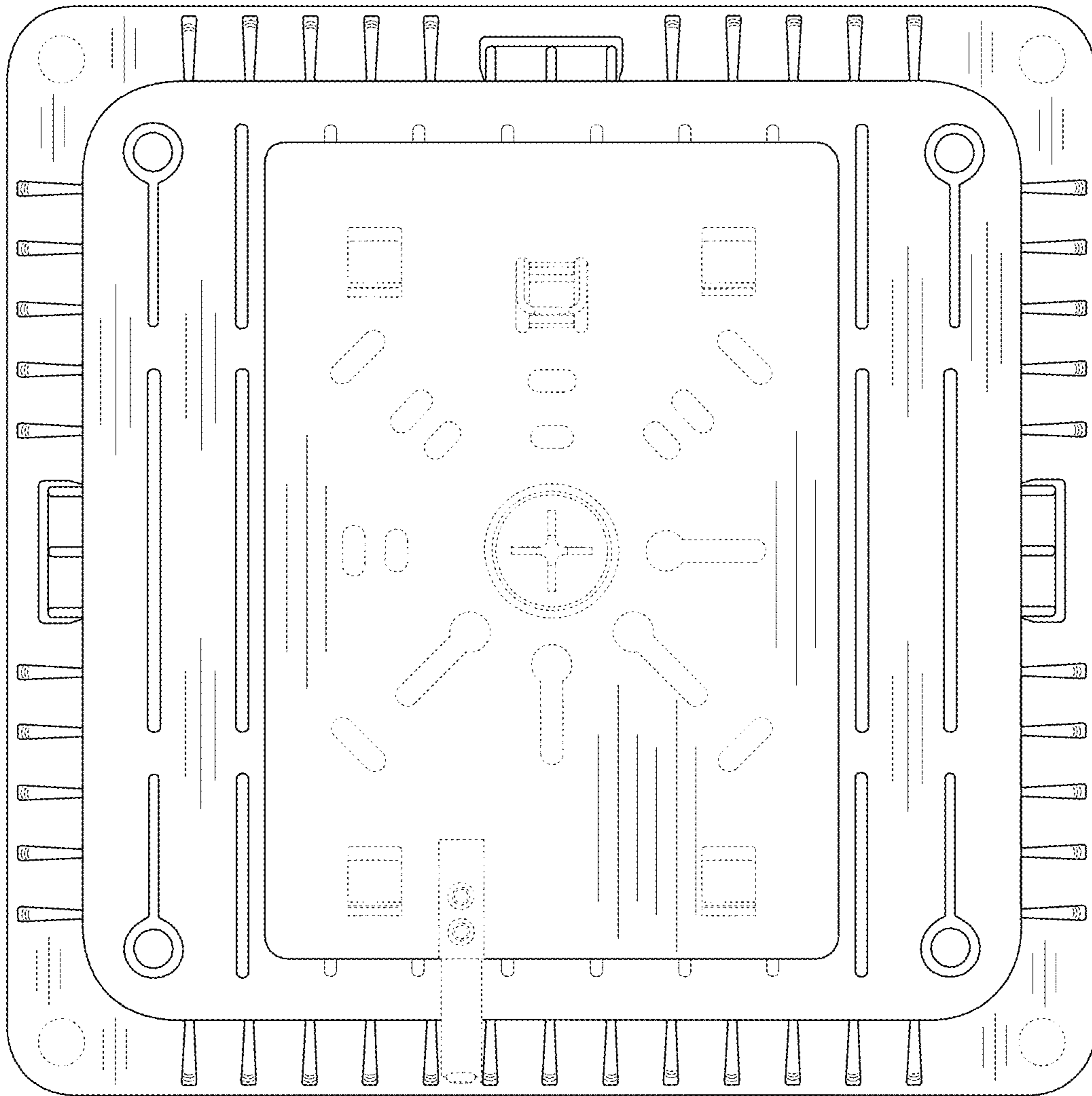


Fig. 2

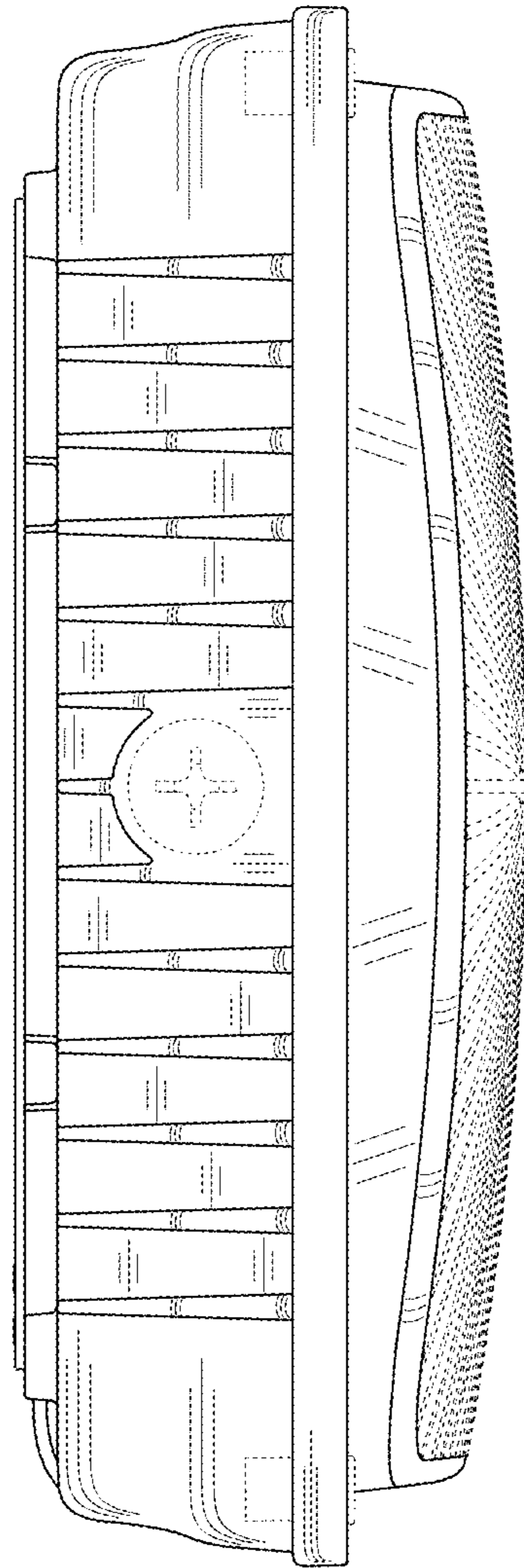


Fig. 3

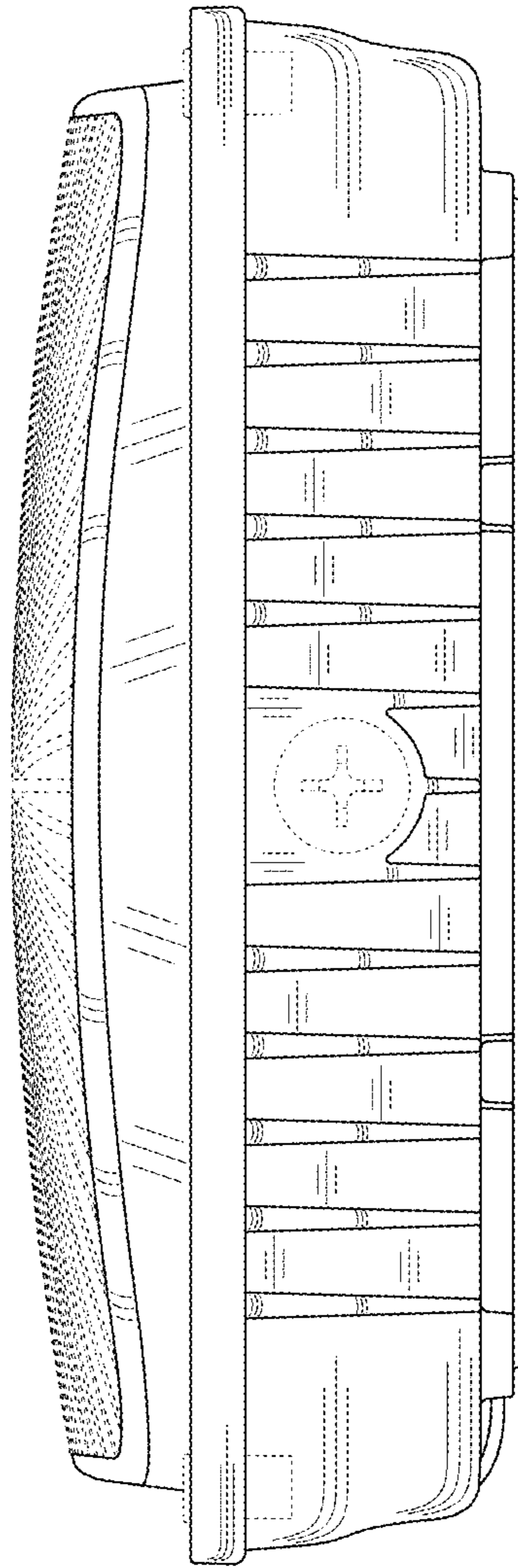


Fig. 4

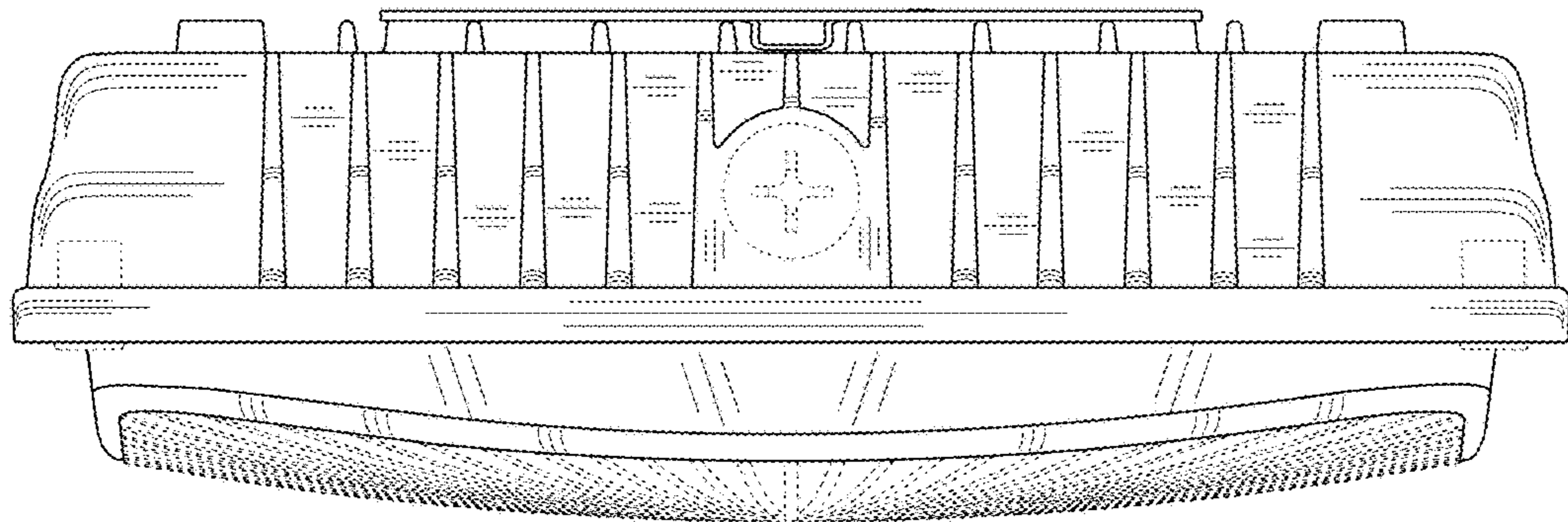


Fig. 5

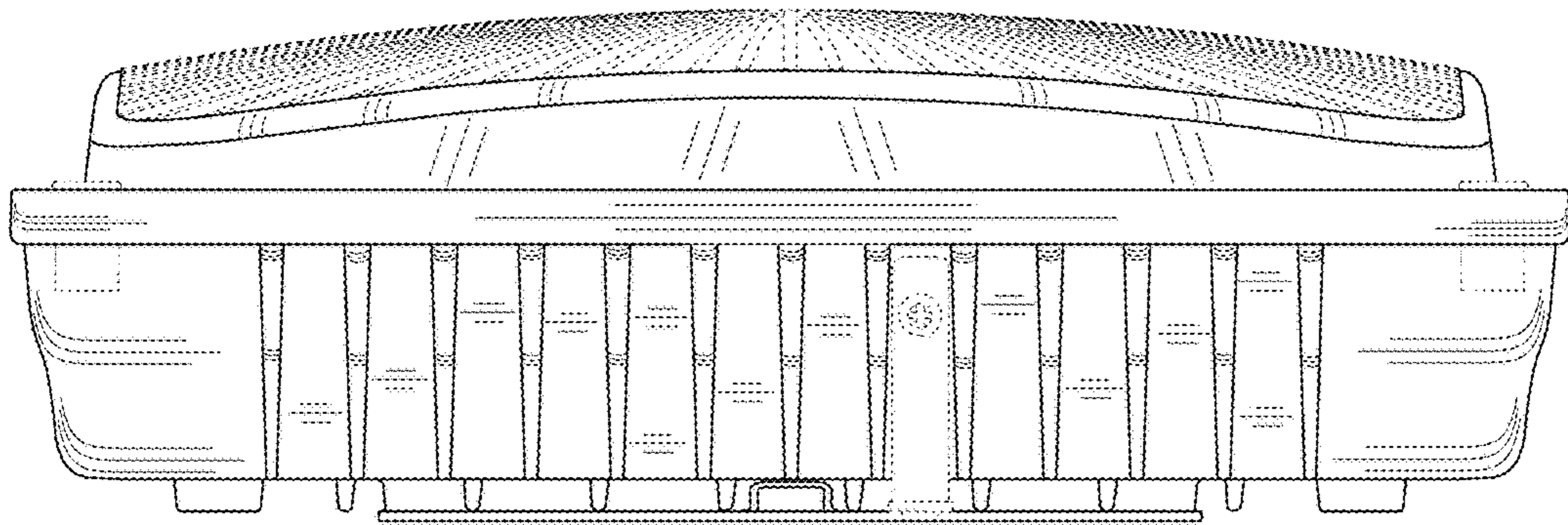


Fig. 6

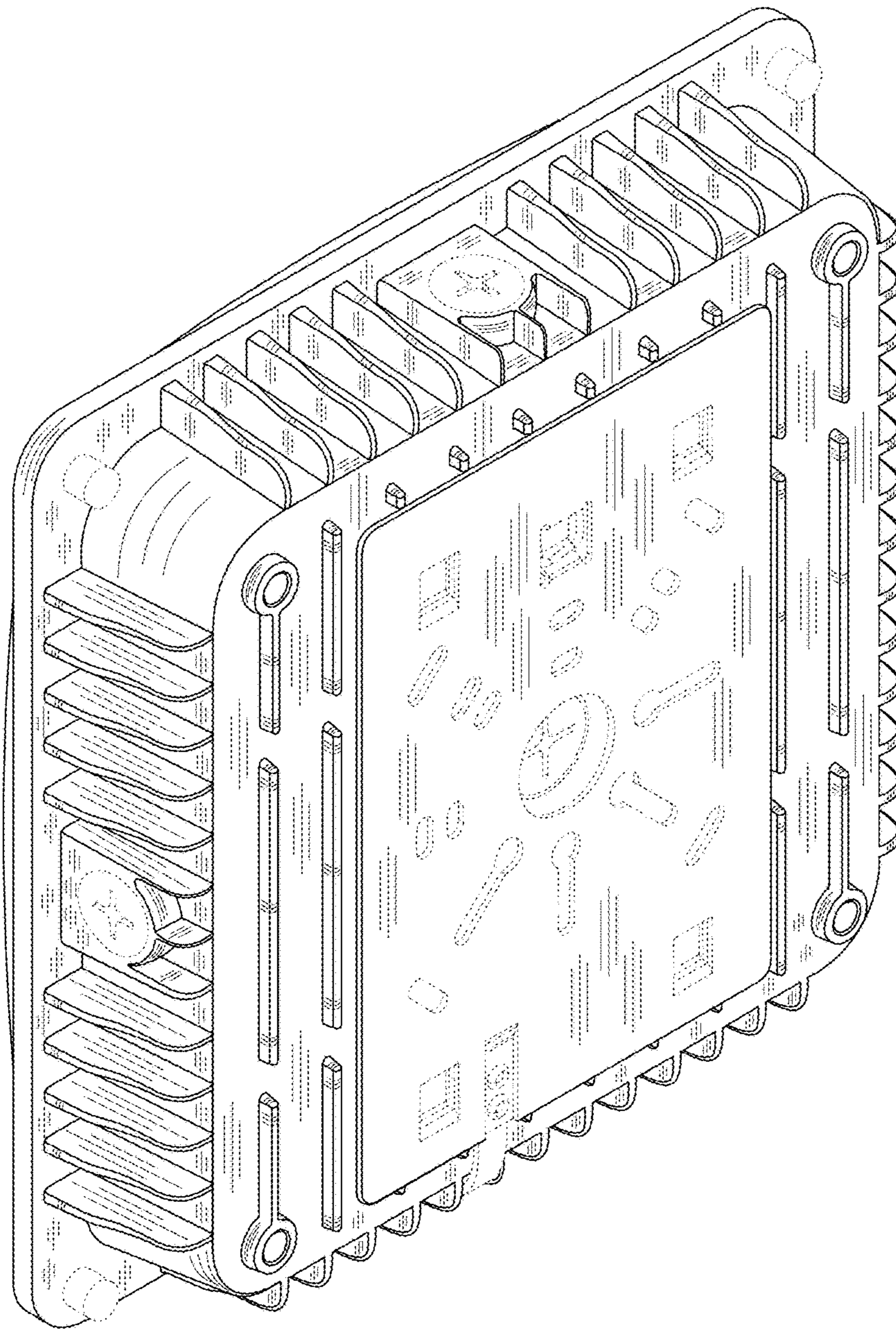


Fig. 7

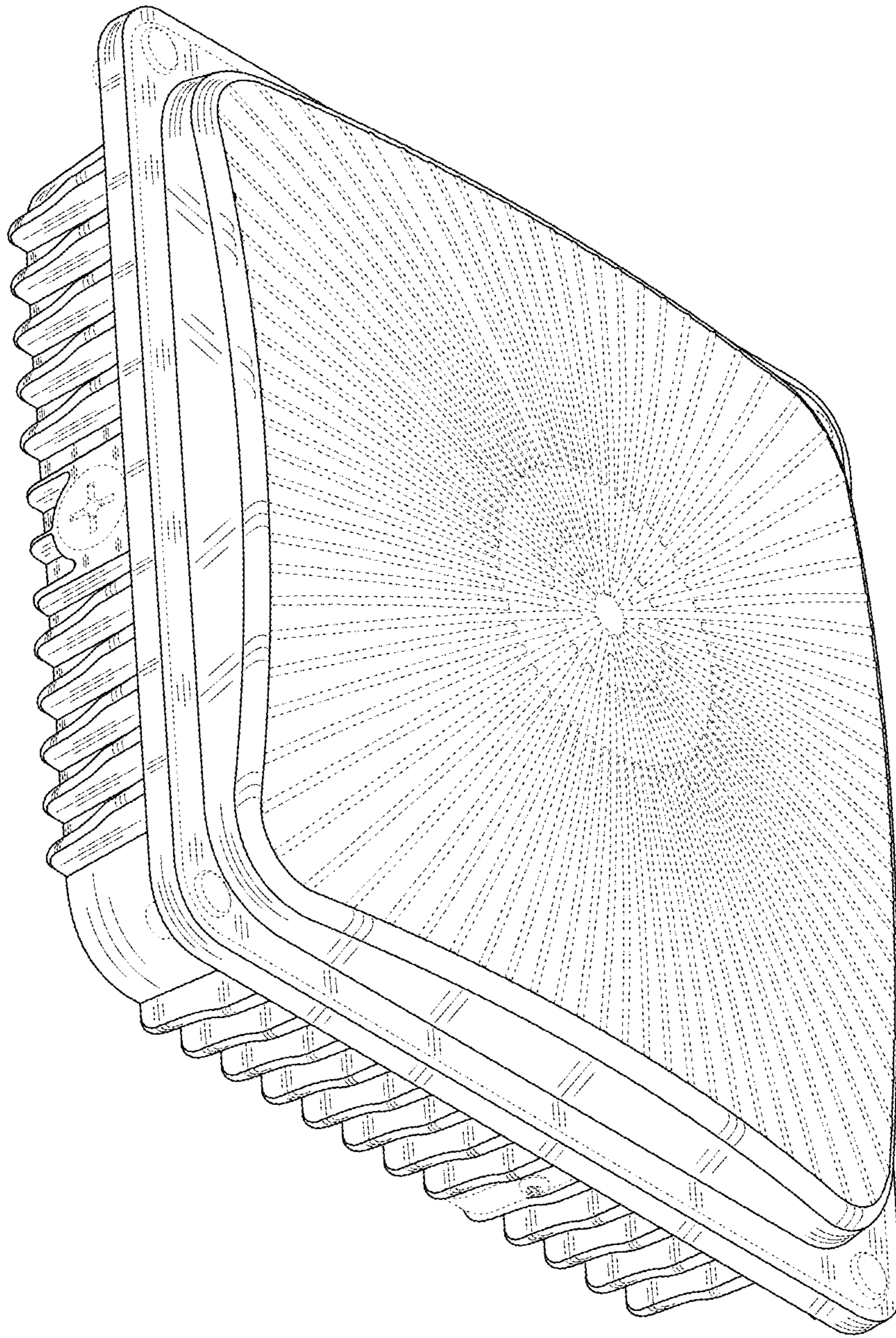


Fig. 8