



US00D808563S

(12) **United States Design Patent** (10) **Patent No.:** **US D808,563 S**  
**Yan et al.** (45) **Date of Patent:** **\*\* Jan. 23, 2018**

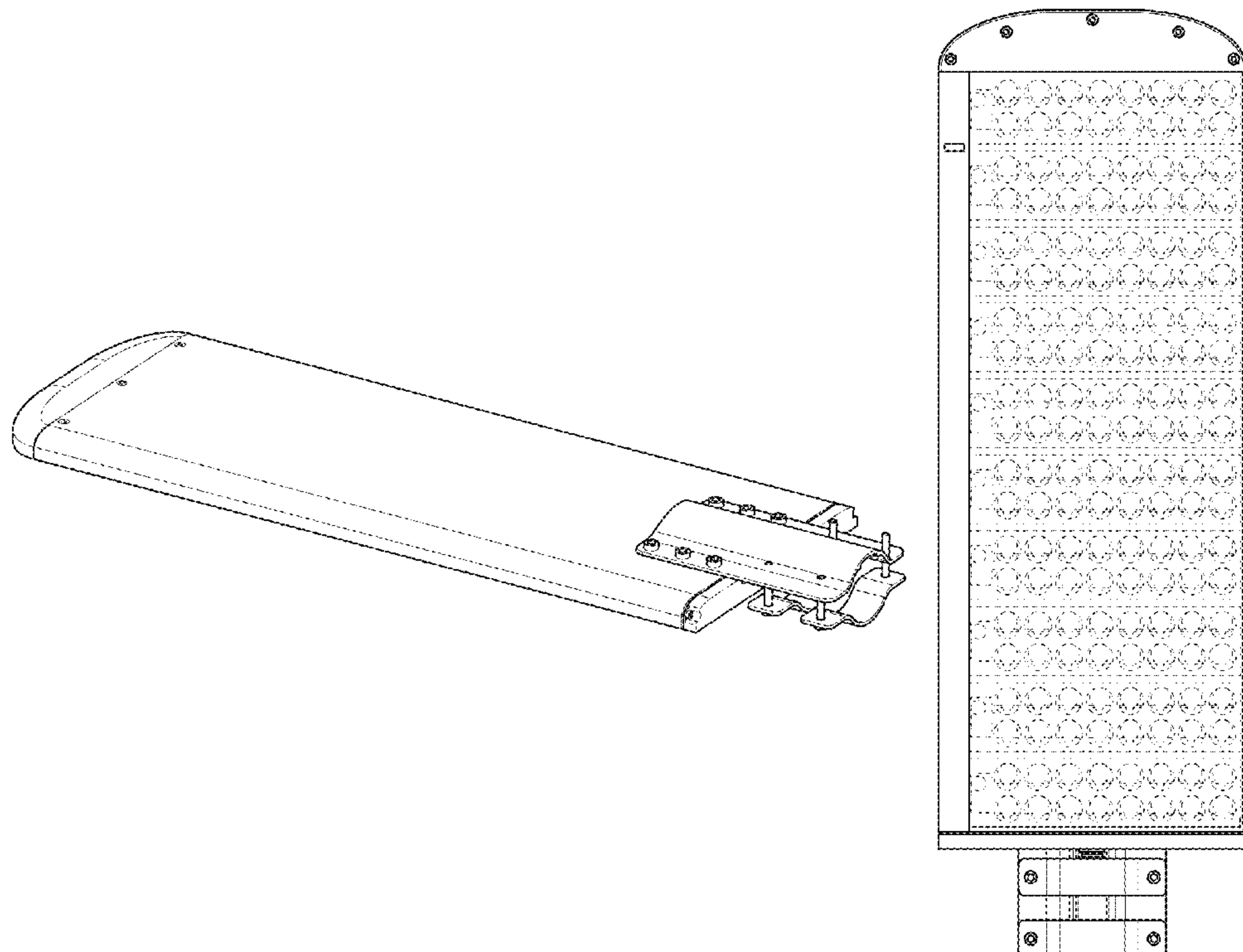
(54) **ROAD LIGHTING LUMINAIRE**  
(71) Applicant: **PHILIPS LIGHTING HOLDING B.V.**, Eindhoven (NL)  
(72) Inventors: **Jay Yan**, Shanghai (CN); **David Zhang**, Shanghai (CN); **Simon Yu**, Shanghai (CN); **Kevin Bao**, Shanghai (CN); **Steven Kang**, Shanghai (CN)  
(73) Assignee: **PHILIPS LIGHTING HOLDING B.V.**, Eindhoven (NL)  
(\*\*) Term: **15 Years**  
(21) Appl. No.: **35/501,131**  
(22) Filed: **Jun. 12, 2016**  
(80) **Hague Agreement Data**  
Int. Filing Date: **Jun. 12, 2016**  
Int. Reg. No.: **DM/091028**  
Int. Reg. Date: **Jun. 12, 2016**  
Int. Reg. Pub. Date: **Jun. 24, 2016**  
(51) **LOC (11) Cl.** ..... **26-05**  
(52) **U.S. Cl.**  
USPC ..... **D26/71**  
(58) **Field of Classification Search**  
USPC ..... D26/67-72, 92, 113  
CPC ..... F21S 8/086; F21V 31/03; F21V 7/0083  
See application file for complete search history.

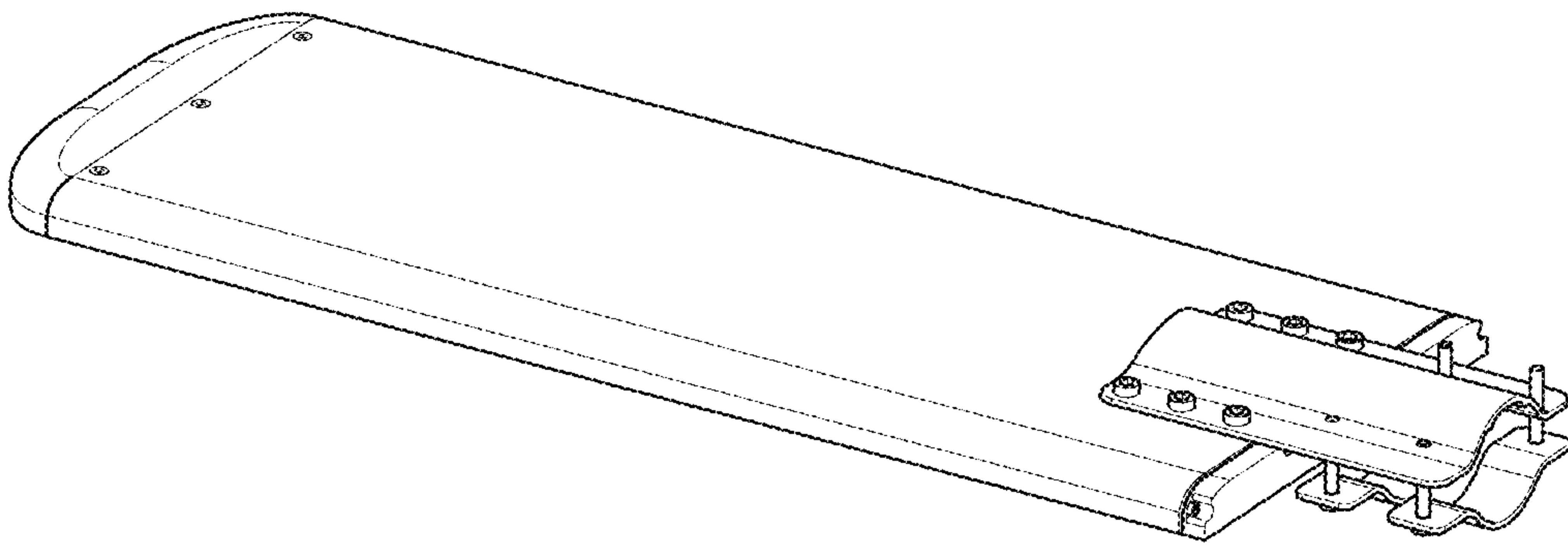
(56) **References Cited**  
U.S. PATENT DOCUMENTS  
D631,597 S \* 1/2011 Kong ..... D26/113  
8,641,234 B2 \* 2/2014 Dube ..... F21S 8/086  
362/240  
D709,236 S \* 7/2014 Ku ..... D26/71  
8,915,616 B2 \* 12/2014 Jeon ..... F21V 31/03  
362/249.02  
9,052,073 B2 \* 6/2015 Wang ..... F21V 7/0083  
D742,574 S \* 11/2015 Bembridge ..... D26/71  
D762,905 S \* 8/2016 Zhang ..... D26/71  
\* cited by examiner

*Primary Examiner* — George D Kirschbaum  
(57) **CLAIM**  
The ornamental design for a road lighting luminaire, as shown and described.

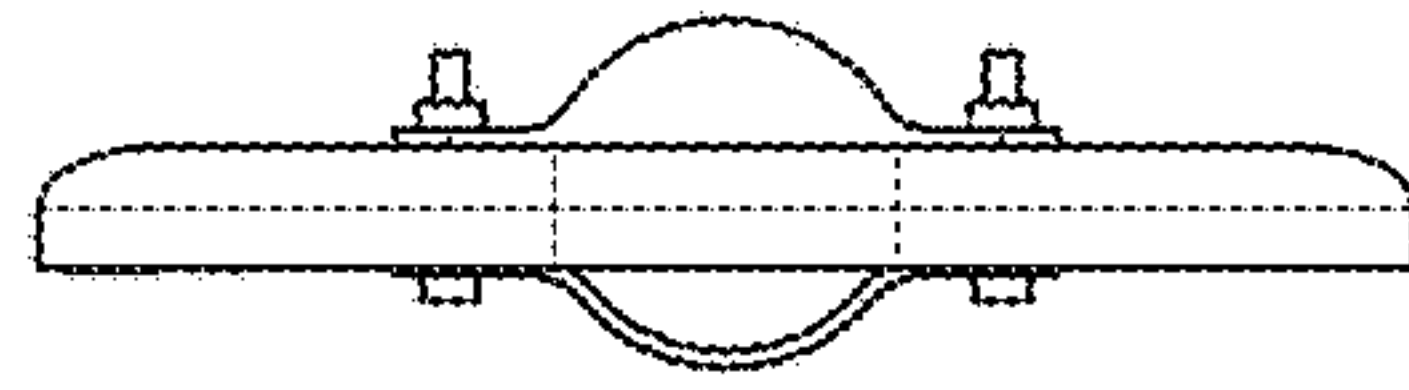
**DESCRIPTION**  
Fig. 1.1 is a front perspective view showing of a road lighting luminaire showing our new design;  
Fig. 1.2 is a left side view thereof,  
Fig. 1.3 is a right side view thereof,  
Fig. 1.4 is a front view thereof,  
Fig. 1.5 is a rear view thereof;  
Fig. 1.6 is a top plan view thereof,  
Fig. 1.7 is a bottom plan view thereof.  
The dash-dot-dash broken lines shown represent the bounds of the claim and forms no part thereof and the dashed broken lines shown therein illustrate portions of the luminaire that form no part of the claimed design.

**1 Claim, 3 Drawing Sheets**

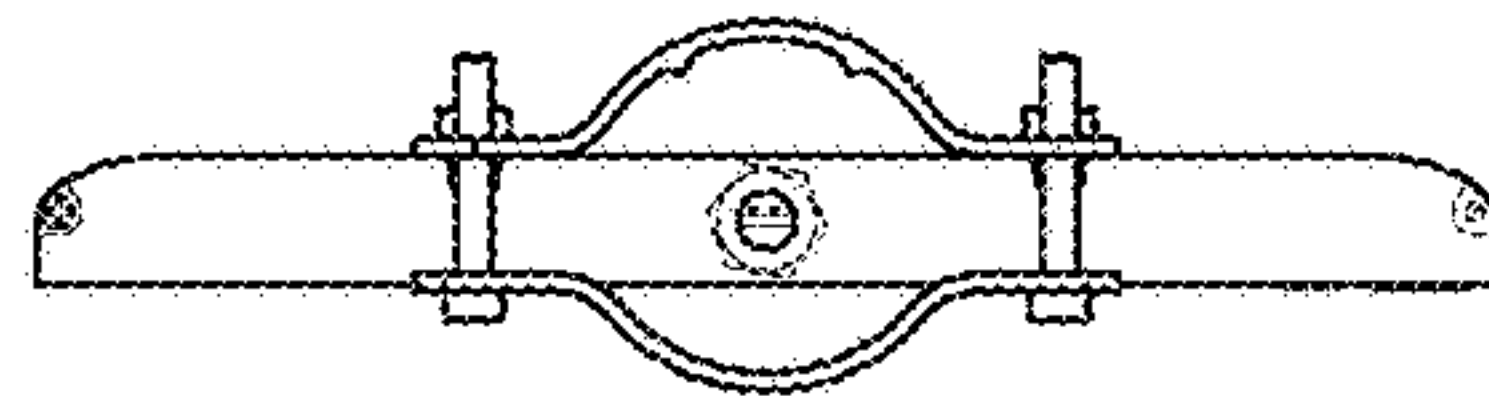




1.1



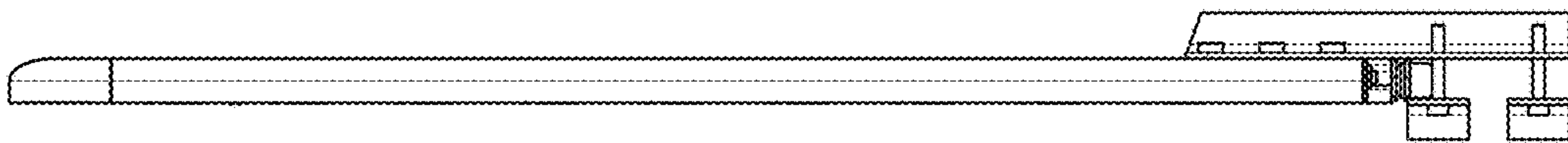
1.2



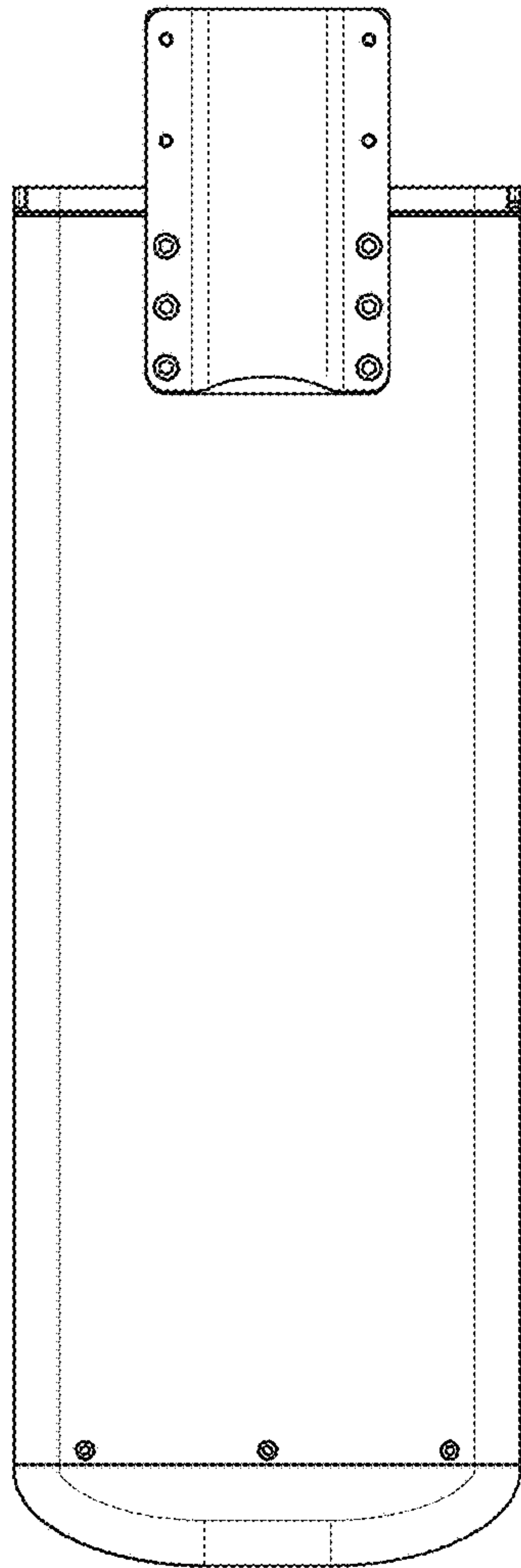
1.3



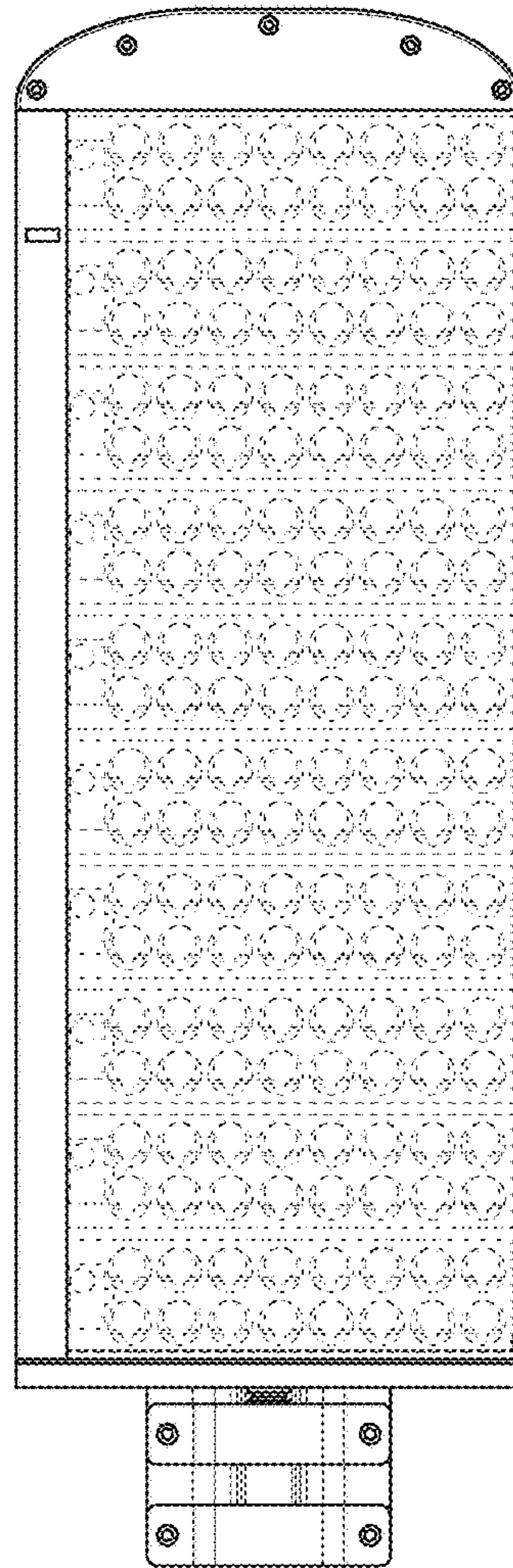
1.4



1.5



1.6



1.7