



US00D808561S

(12) **United States Design Patent**
Goltche

(10) **Patent No.:** **US D808,561 S**

(45) **Date of Patent:** **** Jan. 23, 2018**

(54) **LED WORK LIGHT**

(71) Applicant: **Yehuda Goltche**, Great Neck, NY (US)

(72) Inventor: **Yehuda Goltche**, Great Neck, NY (US)

(**) Term: **15 Years**

(21) Appl. No.: **29/613,445**

(22) Filed: **Aug. 10, 2017**

Related U.S. Application Data

(62) Division of application No. 29/578,484, filed on Sep. 22, 2016.

(51) **LOC (11) Cl.** **26-03**

(52) **U.S. Cl.**
USPC **D26/63**

(58) **Field of Classification Search**
USPC D26/1, 24, 61, 63, 65, 85, 138
CPC F21V 21/14; F21V 15/01; F21V 14/02;
F21V 21/30; F21V 21/00; F21V 14/00;
F21S 8/00; F21S 8/003; F21S 8/043;
F21Y 2105/001
See application file for complete search history.

(56) **References Cited**

U.S. PATENT DOCUMENTS

D360,961 S * 8/1995 Czerlanis D26/63
D417,024 S * 11/1999 Stuyfzand D26/63

D591,883 S * 5/2009 Gill D26/63
D622,890 S * 8/2010 Mo D26/119
D645,594 S * 9/2011 Grawe D26/63
D693,500 S * 11/2013 Souvay D26/61
D699,877 S * 2/2014 Song D26/63
D729,973 S * 5/2015 Gebhard D26/138
D785,845 S * 5/2017 Lazalier D26/63

* cited by examiner

Primary Examiner — Brian N. Vinson

(74) *Attorney, Agent, or Firm* — Dunlap Bennett & Ludwig PLLC

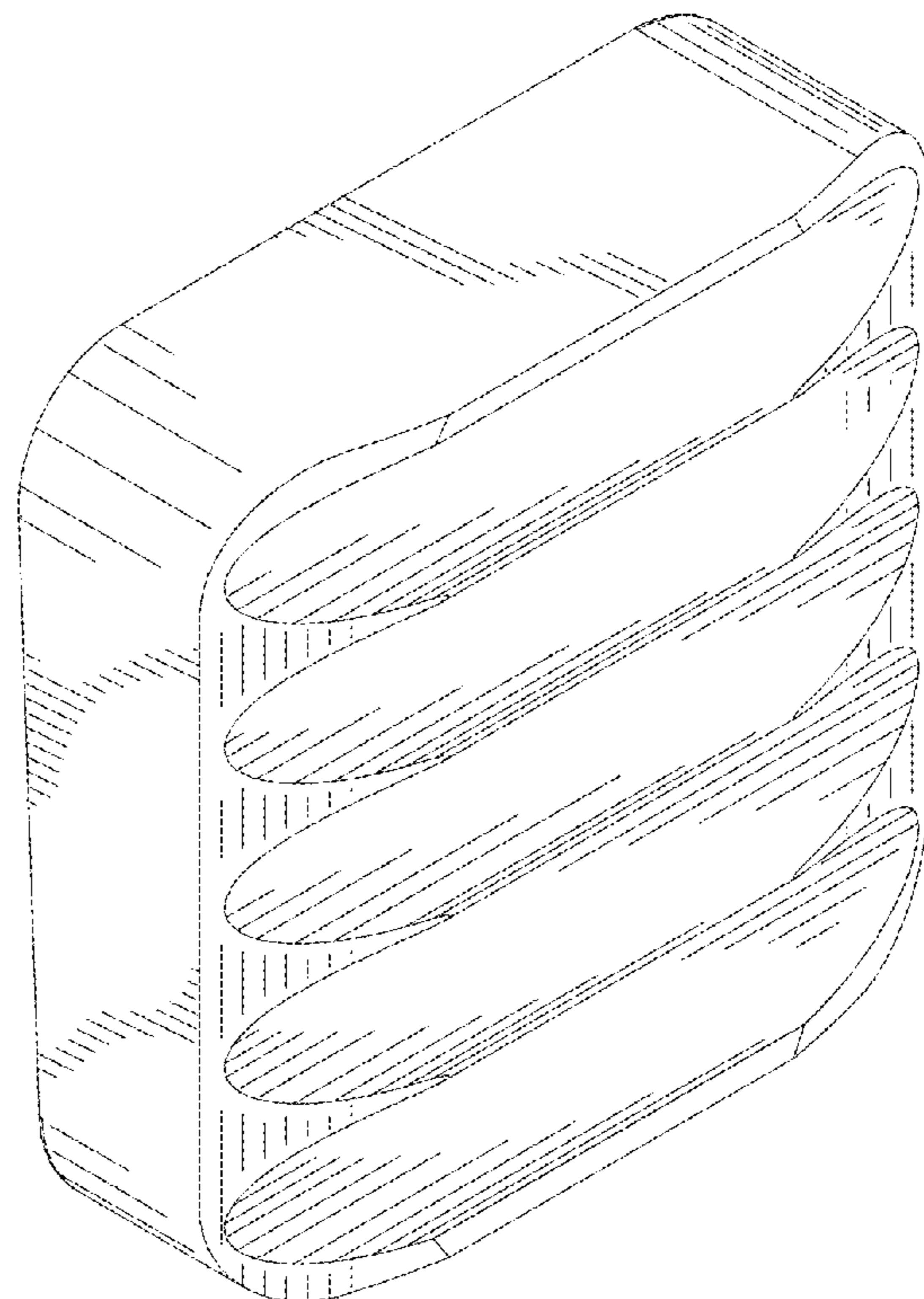
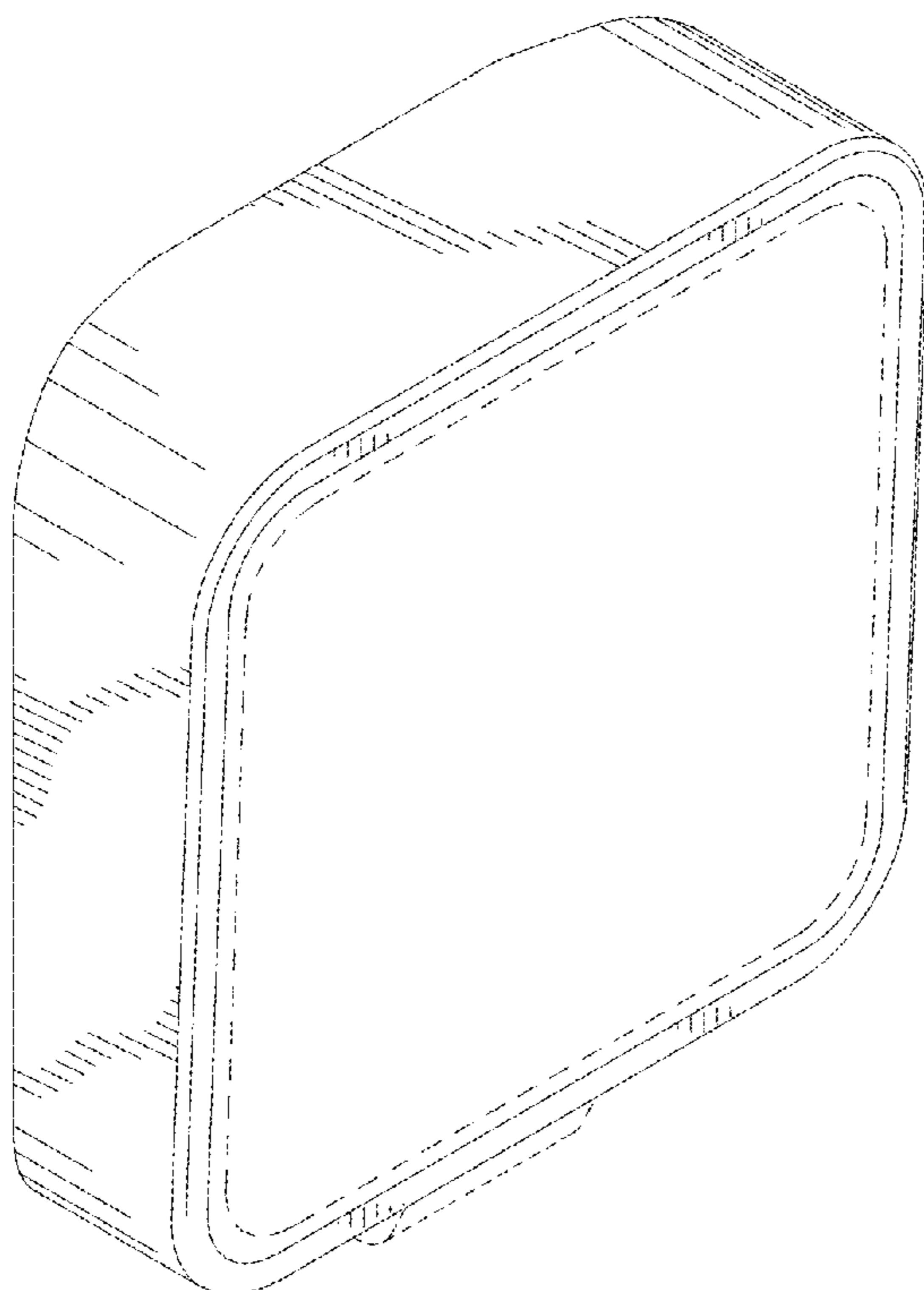
(57) **CLAIM**

The ornamental design for a LED work light, as shown and described.

DESCRIPTION

FIG. 1 is a front perspective view of a first embodiment of a LED work light, showing my new design;
FIG. 2 is a rear perspective view thereof;
FIG. 3 is a top plan view thereof;
FIG. 4 is a front elevation view thereof;
FIG. 5 is a bottom plan view thereof;
FIG. 6 is a right elevation view thereof, the left elevation view being a mirror image thereof; and,
FIG. 7 is a rear elevation view thereof.
The broken lines shown in the drawings depict portions of the LED work light that form no part of the claimed design.

1 Claim, 3 Drawing Sheets



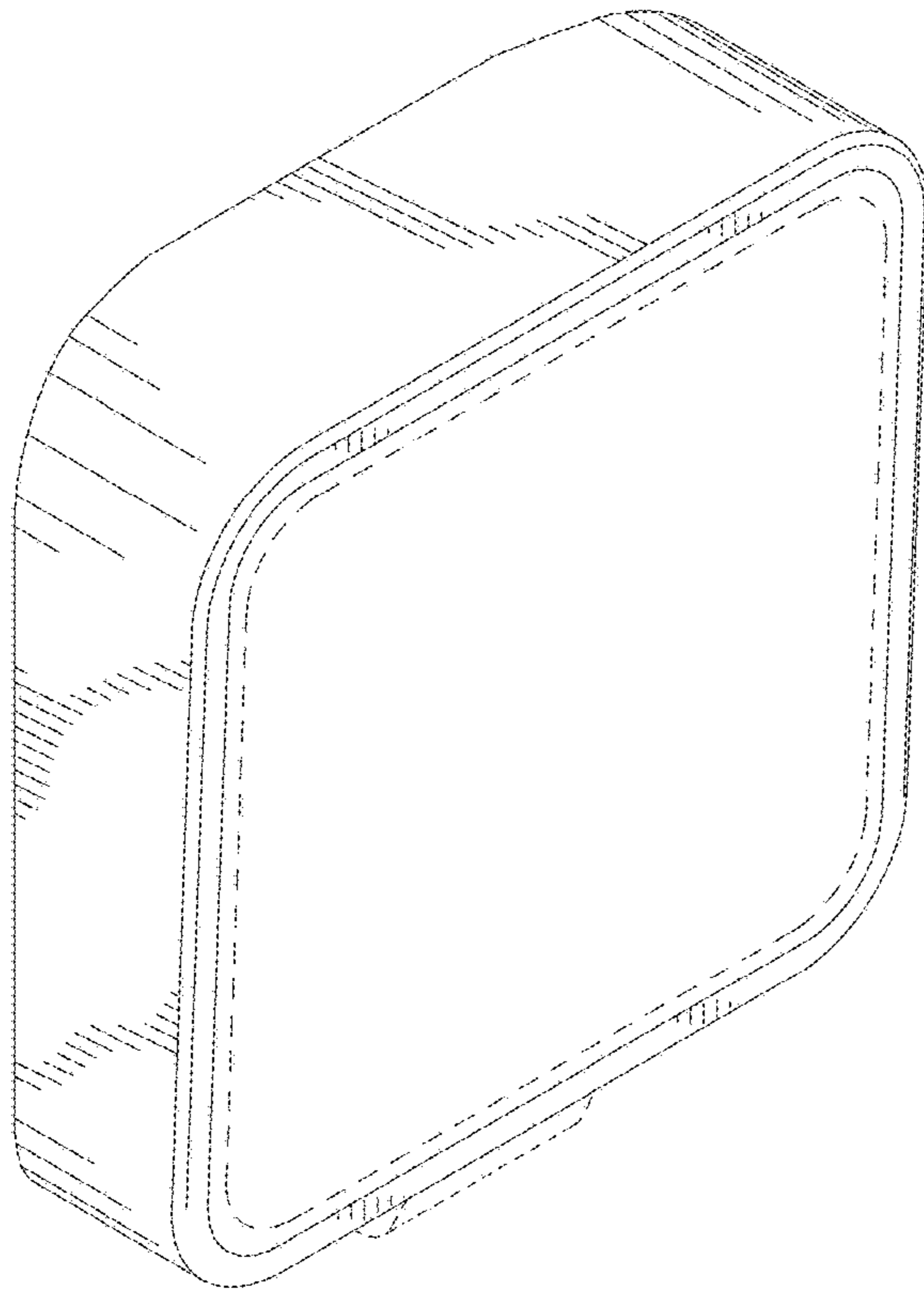


FIG. 1

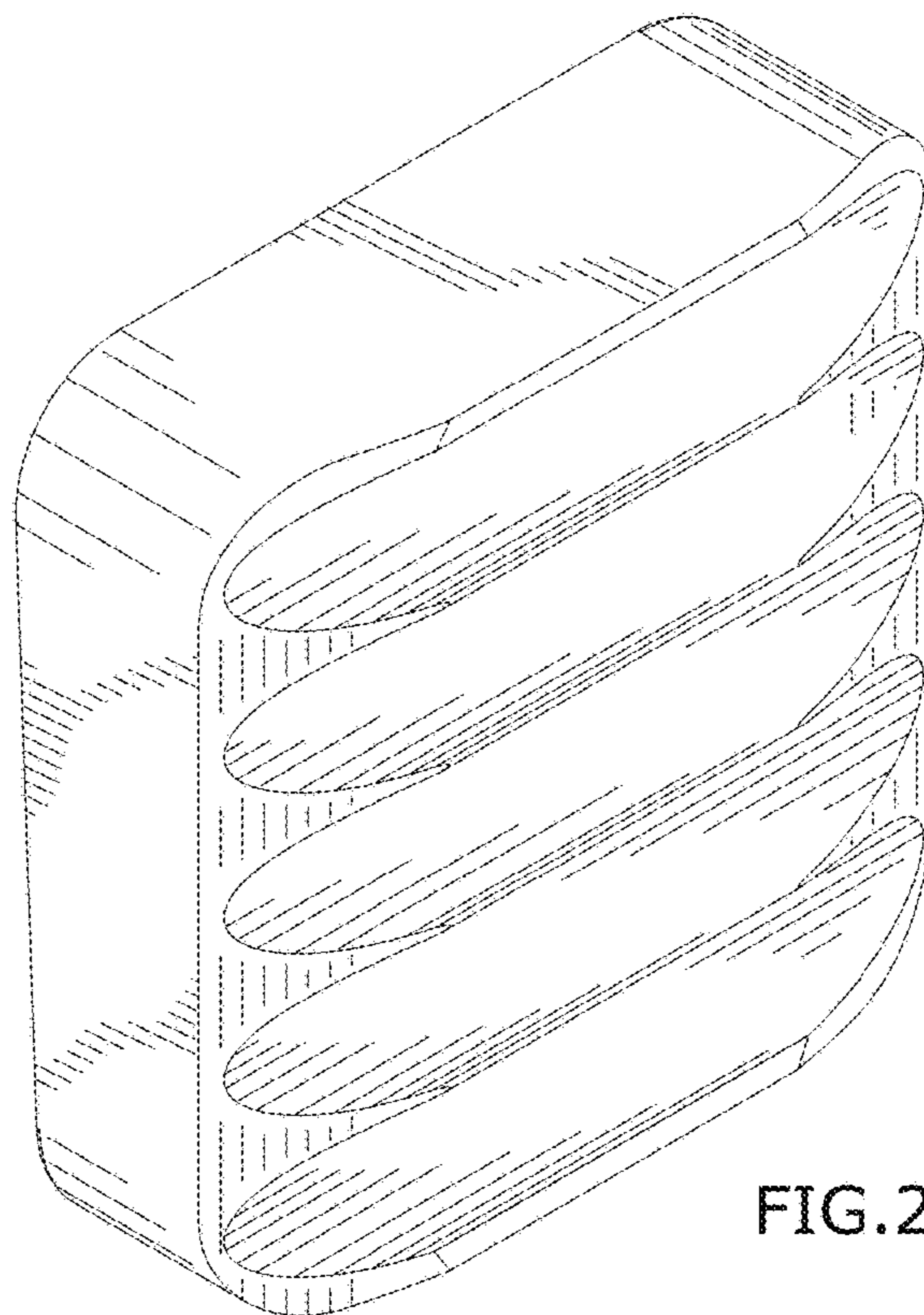


FIG. 2

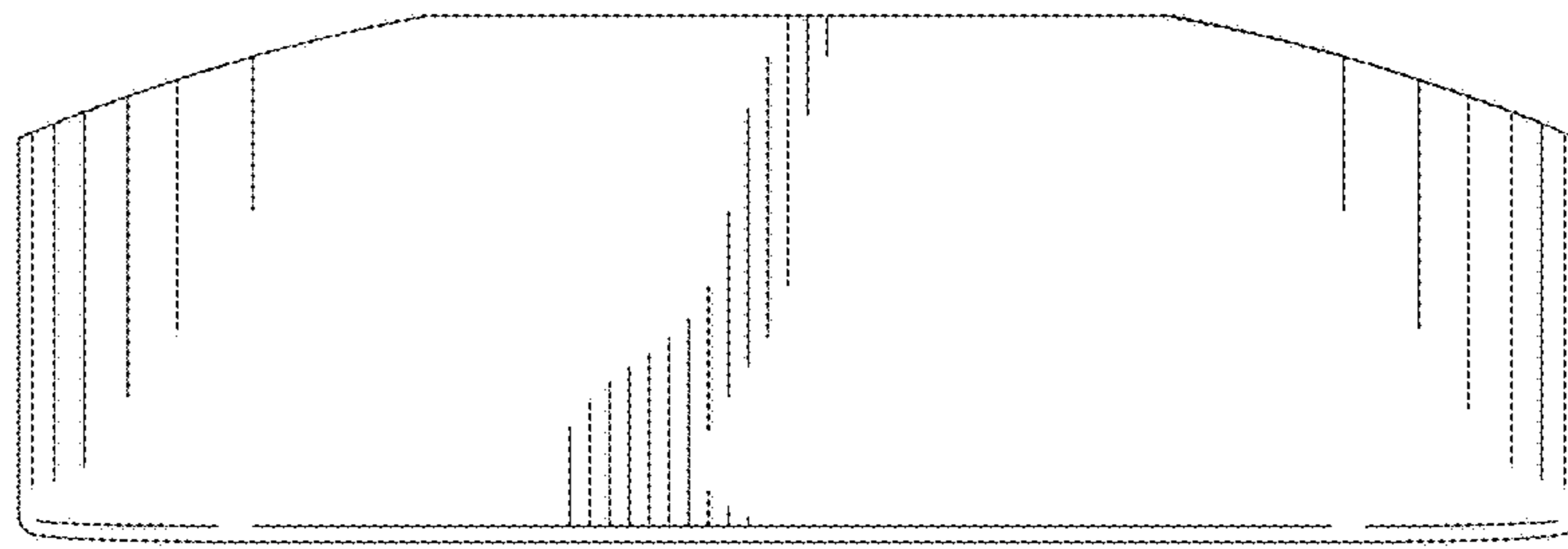


FIG. 3

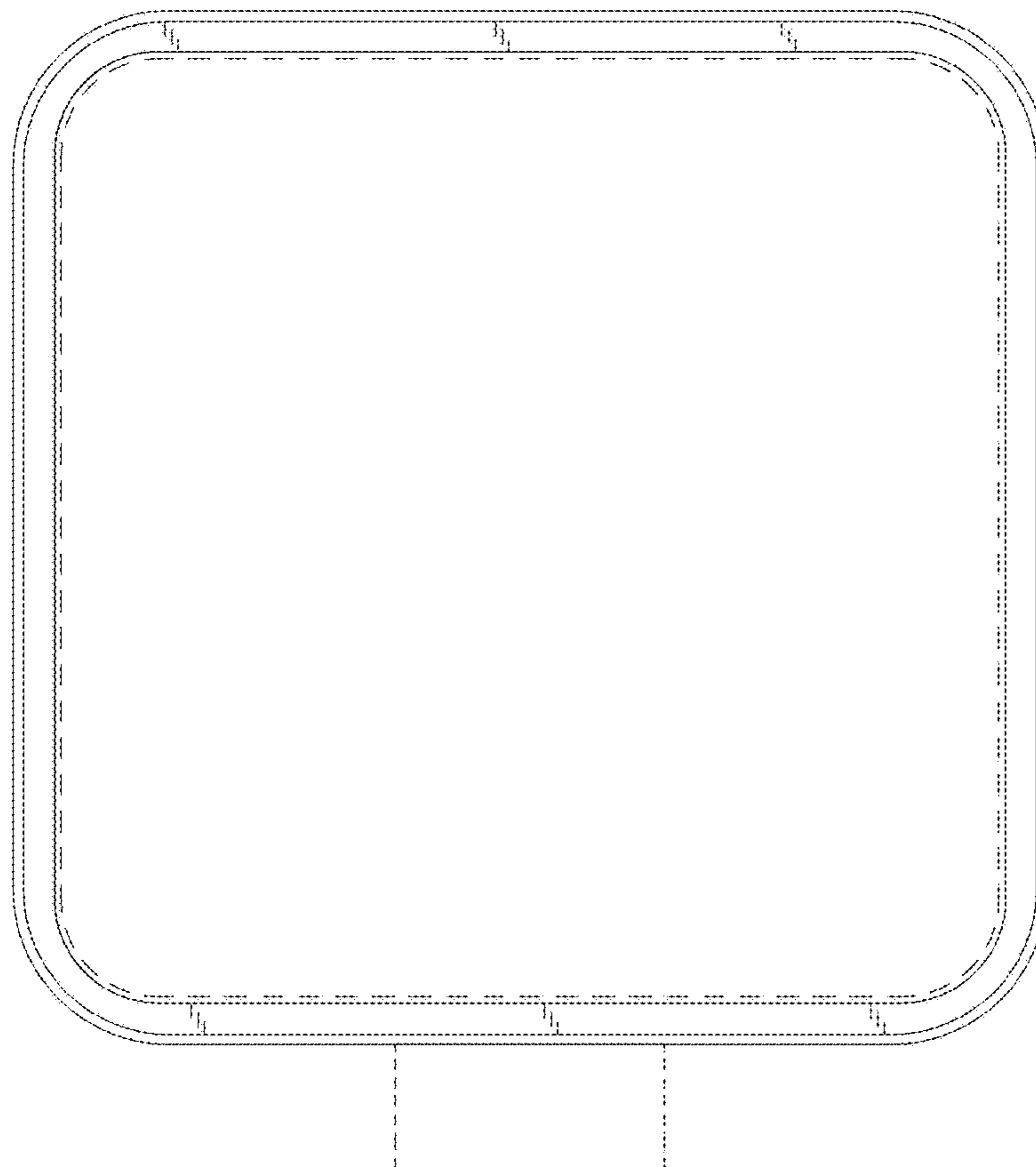


FIG. 4

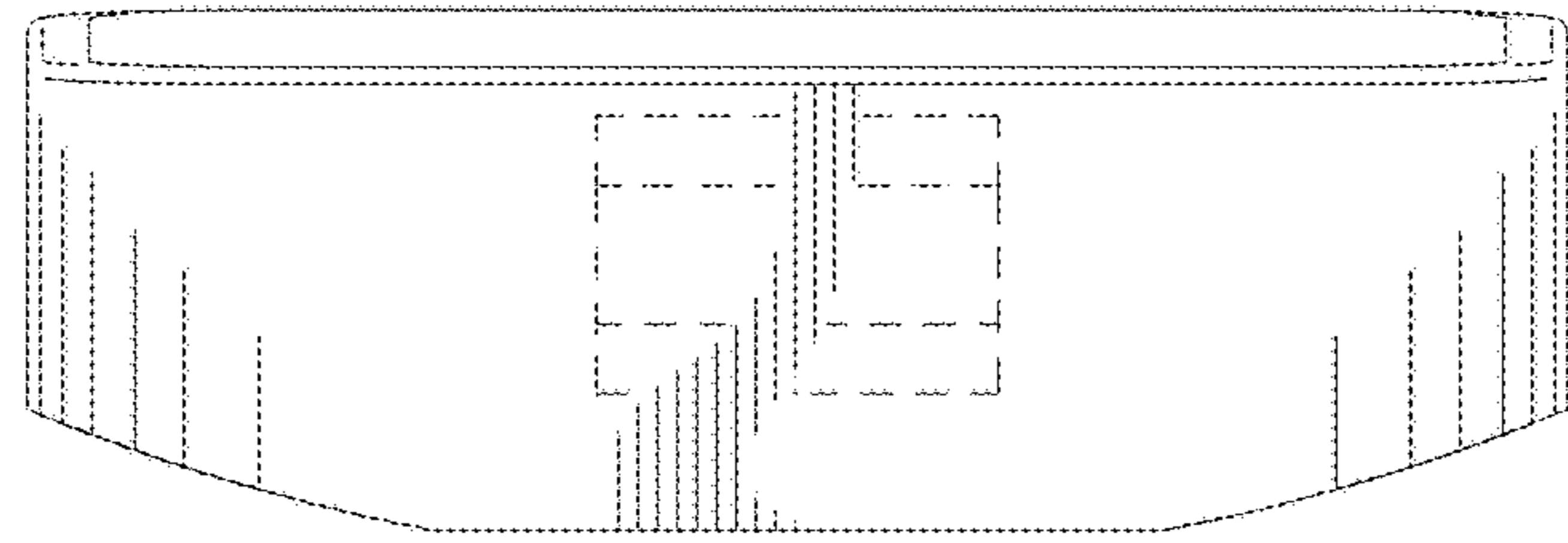


FIG. 5

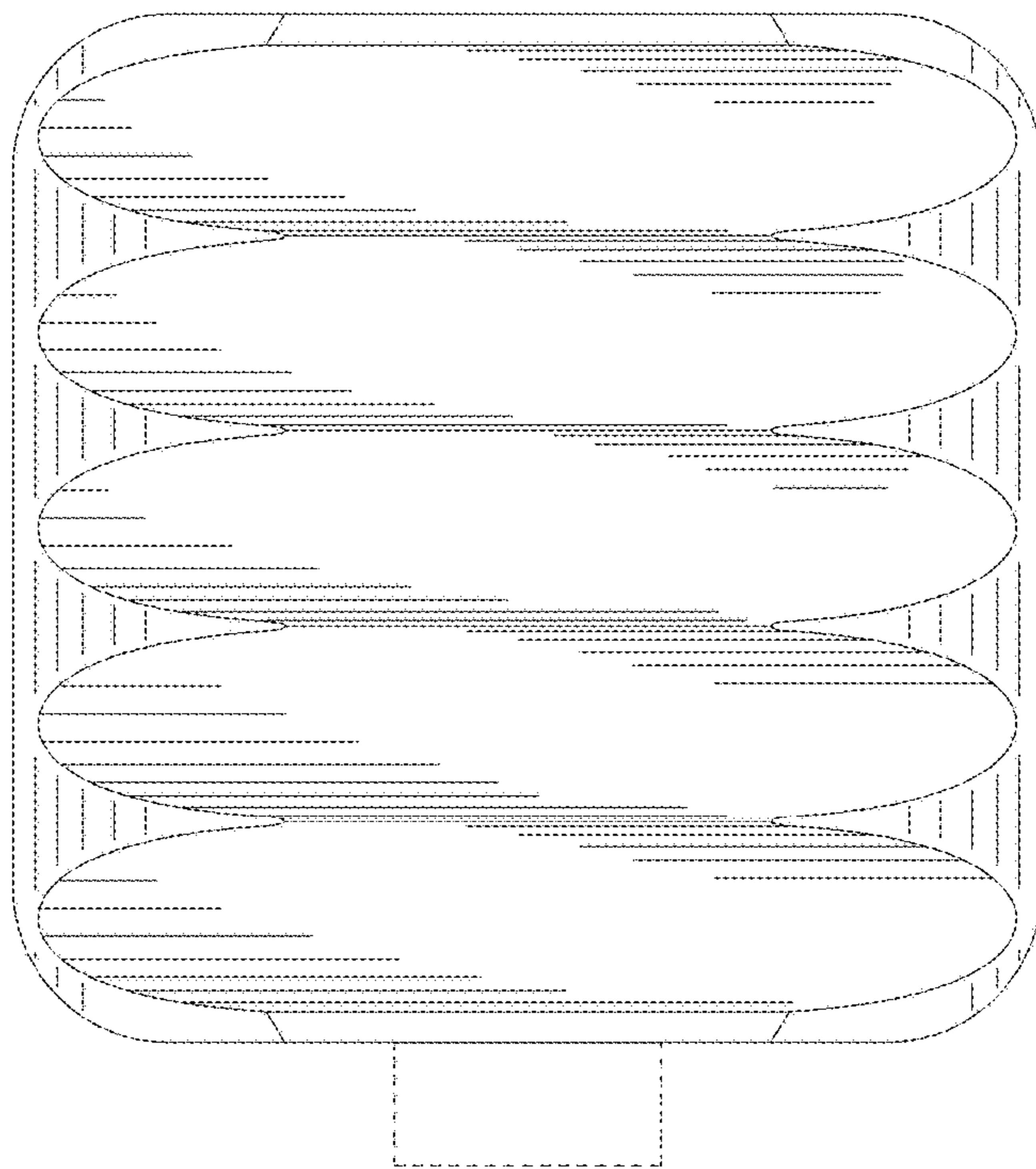


FIG. 6

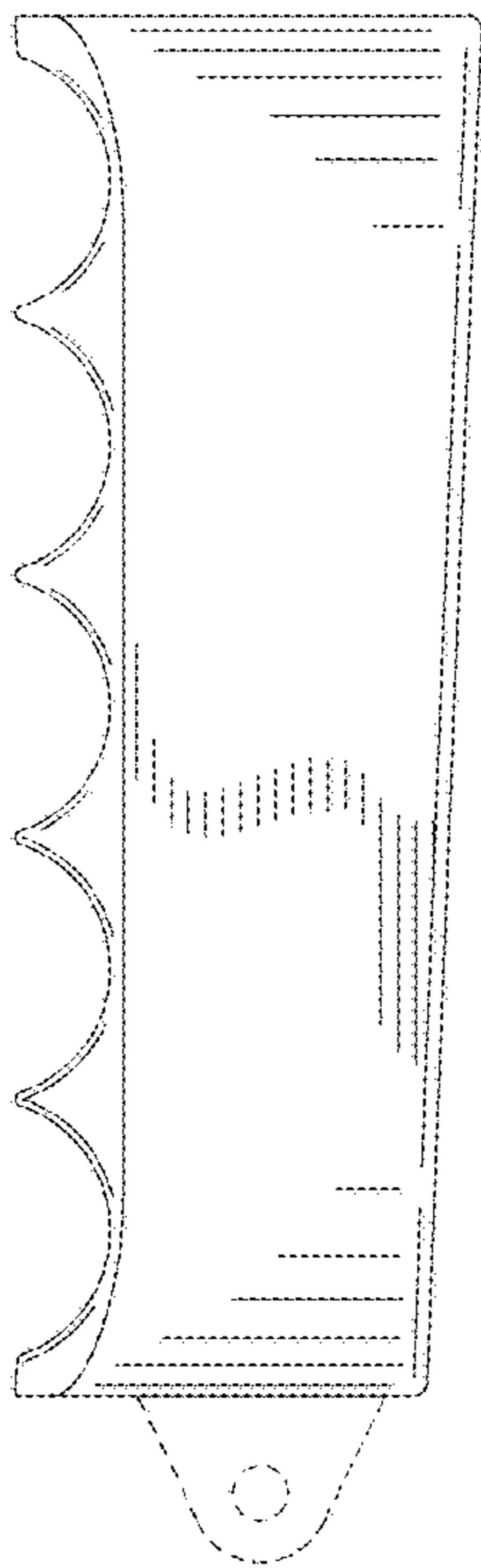


FIG. 7