



US00D808560S

(12) **United States Design Patent**
Devappa et al.

(10) **Patent No.:** **US D808,560 S**
(45) **Date of Patent:** **** Jan. 23, 2018**

(54) **LIGHTING FIXTURE**

(71) Applicant: **Appleton Grp LLC**, Rosemont, IL
(US)

(72) Inventors: **Harsha N. Devappa**, Pune (IN);
Timothy E. Graff, Arlington Heights,
IL (US); **Vinaya N. Kubsad**, Pune (IN)

(73) Assignee: **Appleton Grp LLC**, Rosemont, IL
(US)

(**) Term: **15 Years**

(21) Appl. No.: **29/567,121**

(22) Filed: **Jun. 6, 2016**

(51) **LOC (11) Cl.** **26-03**

(52) **U.S. Cl.**
USPC **D26/63**

(58) **Field of Classification Search**
USPC D26/1, 24, 61, 63, 65, 85, 92
CPC F21V 21/14; F21V 15/01; F21V 14/02;
F21V 21/30; F21V 21/00; F21V 14/00;
F21V 19/04; F21S 8/00; F21S 8/003;
F21S 8/043; F21Y 2105/001
See application file for complete search history.

(56) **References Cited**

U.S. PATENT DOCUMENTS

4,323,953	A *	4/1982	Hutchison	F21V 19/04 362/220
D296,829	S *	7/1988	Peppers	D26/63
D570,024	S *	5/2008	Guercio	D26/63
D611,635	S *	3/2010	Gordin	D26/63
7,780,318	B2 *	8/2010	Xiao	F21V 21/30 248/200
D645,184	S *	9/2011	Zhan	D26/63
D693,501	S *	11/2013	Kochman	D26/63
8,911,116	B2	12/2014	Blincoe et al.		
9,022,621	B2	5/2015	Boyer et al.		

D736,982	S *	8/2015	Yasuji Fletcher	D26/63
D747,526	S *	1/2016	Zhang	D26/63
D761,472	S *	7/2016	Zhu	D26/63
D761,473	S *	7/2016	Zhang	D26/63
D762,902	S *	8/2016	Ke	D26/63

(Continued)

OTHER PUBLICATIONS

Arran LED Floodlight, CH-DS-Arran-IND-V3, Sep. 2015, <http://www.chalmit.com/more/on/details/00072>, 2 pages.

(Continued)

Primary Examiner — Brian N. Vinson

(74) *Attorney, Agent, or Firm* — McDonnell Boehnen
Hulbert & Berghoff LLP

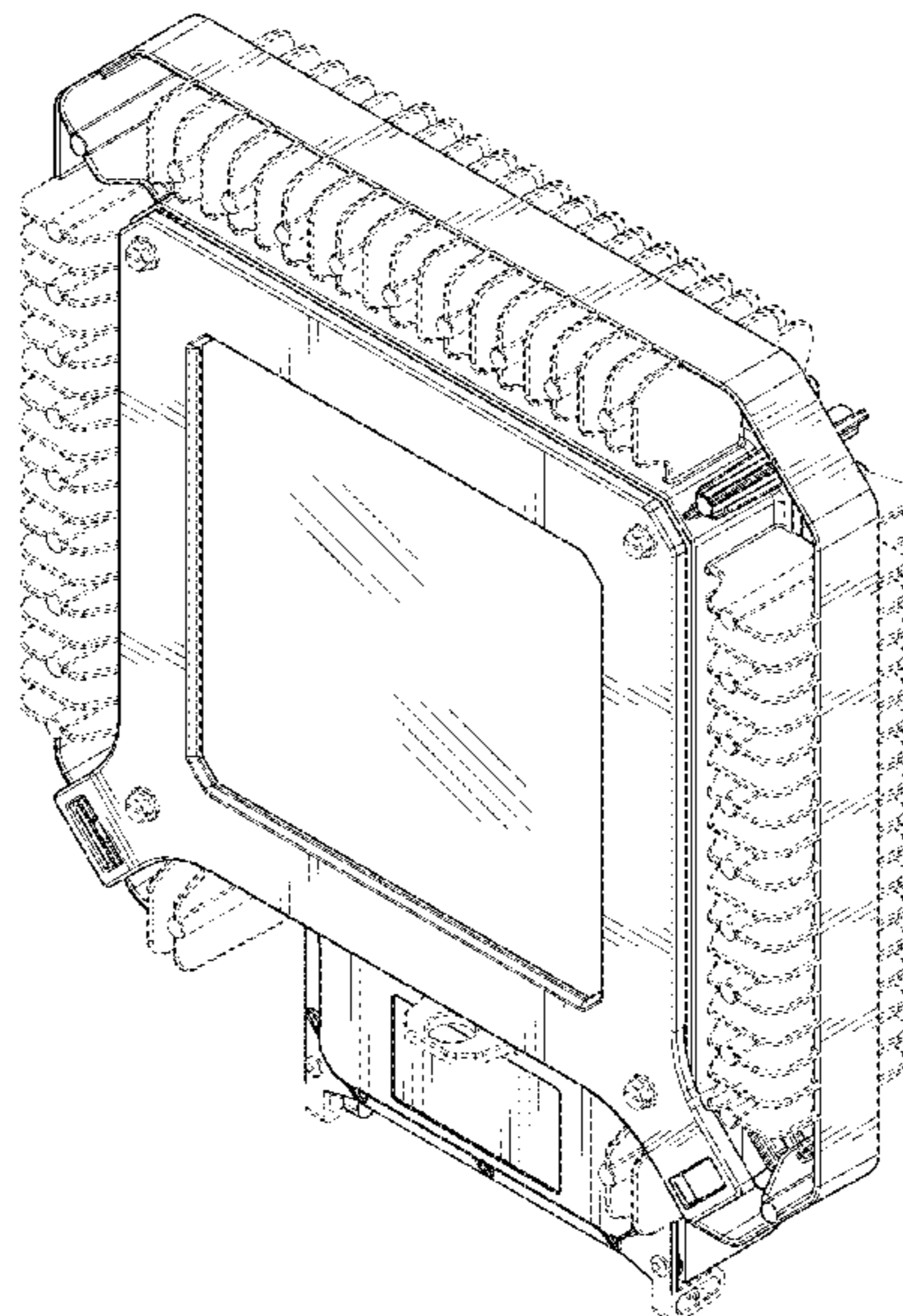
(57) **CLAIM**

The ornamental design for a lighting fixture, as shown and described.

DESCRIPTION

FIG. 1 is a bottom perspective top view of a lighting fixture having the inventive design;
FIG. 2 is a perspective top view of the lighting fixture shown in FIG. 1;
FIG. 3 is a bottom view of the lighting fixture shown in FIG. 1;
FIG. 4 is a top view of the lighting fixture shown in FIG. 1;
FIG. 5 is a right side view of the lighting fixture shown in FIG. 1;
FIG. 6 is a left side view of the lighting fixture shown in FIG. 1;
FIG. 7 is a front view of the lighting fixture shown in FIG. 1; and,
FIG. 8 is a rear view of the lighting fixture shown in FIG. 1. The broken line disclosure represents portions of the fixture which forms no part of the claimed design.

1 Claim, 6 Drawing Sheets



(56)

References Cited

U.S. PATENT DOCUMENTS

D779,097 S * 2/2017 Xu D26/63

OTHER PUBLICATIONS

Chalmit, LED Solutions, 2015, <http://www.gunneman.nl/wp-content/uploads/2015/05/Chalmit-LED-Solutions.pdf>, 36 pages.

Champ® FMV Series LED Floodlight Fixtures, http://www.cooperindustries.com/content/public/en/crouse-hinds/products/lighting/led_luminaires/champ_fmv_led_series_floodlight_fixtures.html, downloaded Aug. 16, 2016, 10 pages.

Dialight LED Lighting Fixture Catalogue for Industrial and Hazardous Areas, Feb. 2016, 60 pages.

Hadar Lighting, HDL206E—Emergency Modular LED Luminaire, <https://www.google.com/search?q=Modular+LED+Luminaire&tbm=isch&tbo=u&source=univ&sa=X&ved=0ahUKEwi1leGS5p7NAhUQPVIKHcSqALwQsAQIHQ&biw=1920&bih=973#imgrc=jEy1aGRccvMuiM%3A>, downloaded Aug. 16, 2016, 1 page.

17,500 Lumen CID1 Explosion Proof 150 Watt High Bay LED Light Fixture—Paint Spray Booth Approved, Spec Sheet, <http://www.larsonelectronics.com/p-70368-class-1-division-1-explosion-proof-150-watt-high-bay-led-light-fixture-paint-spray-booth-approved.aspx>, downloaded Aug. 16, 2016, 7 pages.

Hazardous Location LED Fixture, 240W, <https://www.zoro.com/larson-electronics-llc-hazardous-location-led-fixture-240w-hal-hb-240w-rsled/i/G8021937/>, downloaded Aug. 16, 2016, 5 pages.

“SafeSite LED Floodlight—UL 844 for Indoor and Outdoor Hazardous Applications,” Dialight, MDTEXSSCIDIIFLX001_K, www.dialight.com, pre-2016 Dialight Brochure, 12 pages.

* cited by examiner

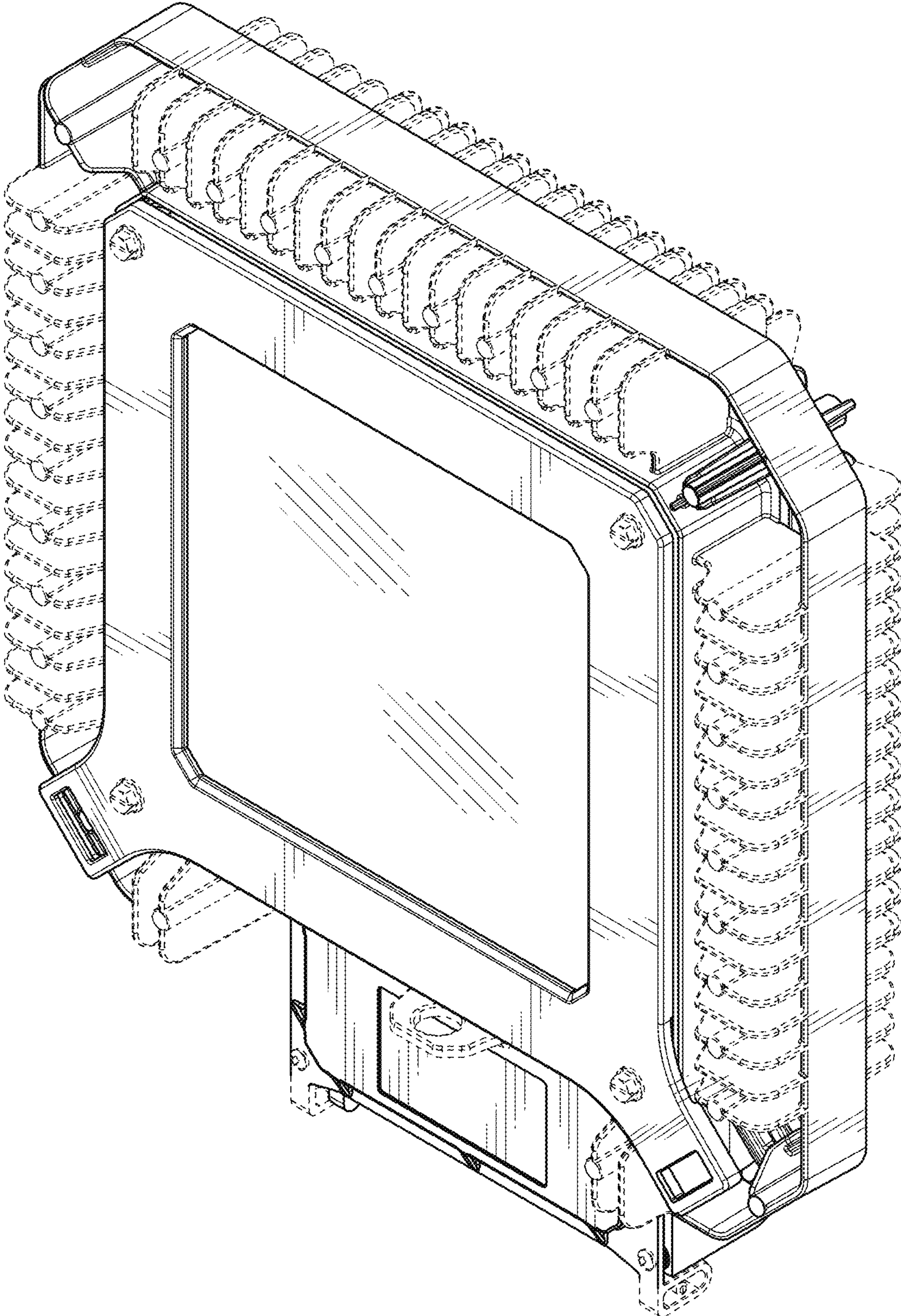


FIG. 1

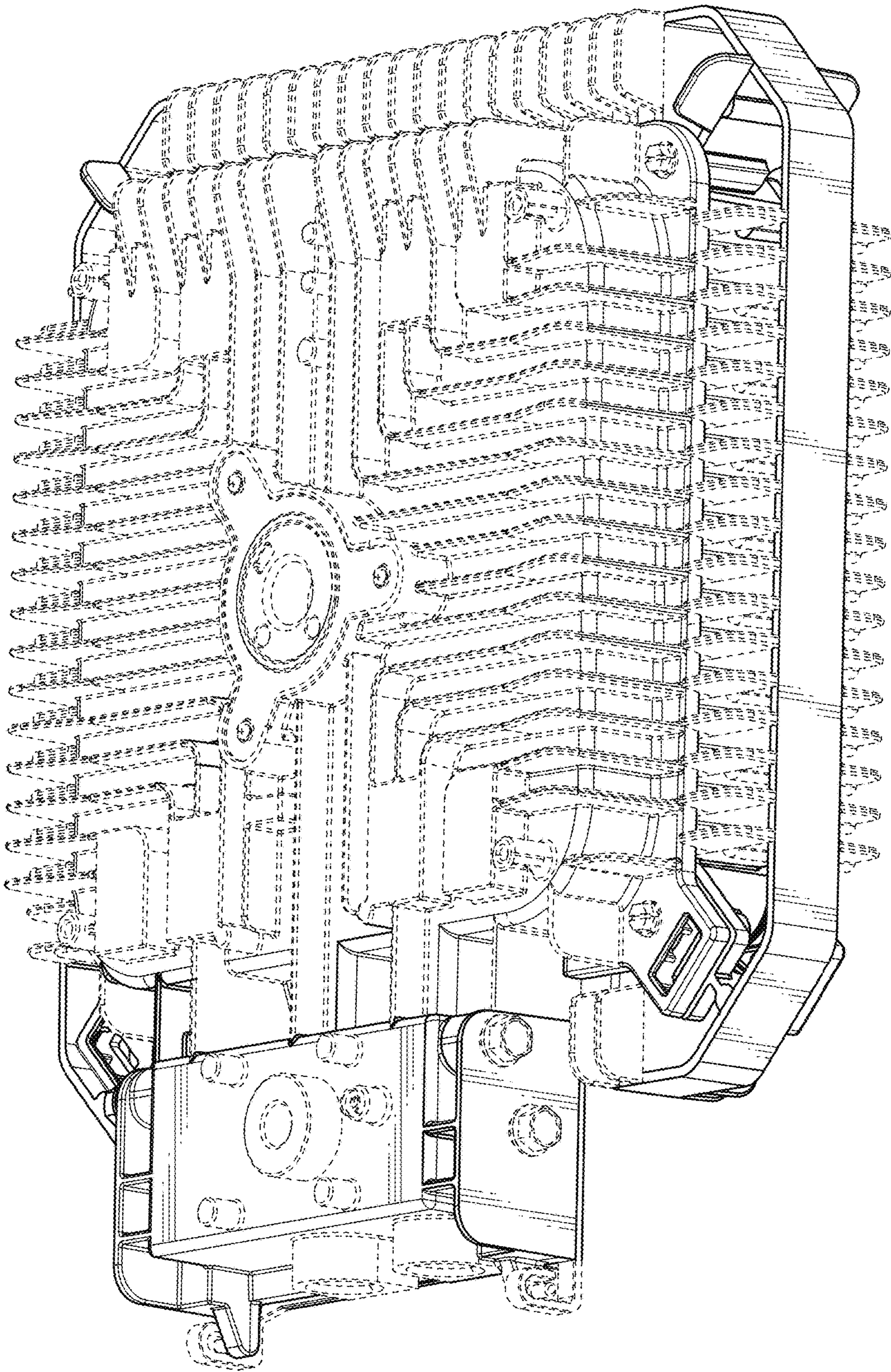


FIG. 2

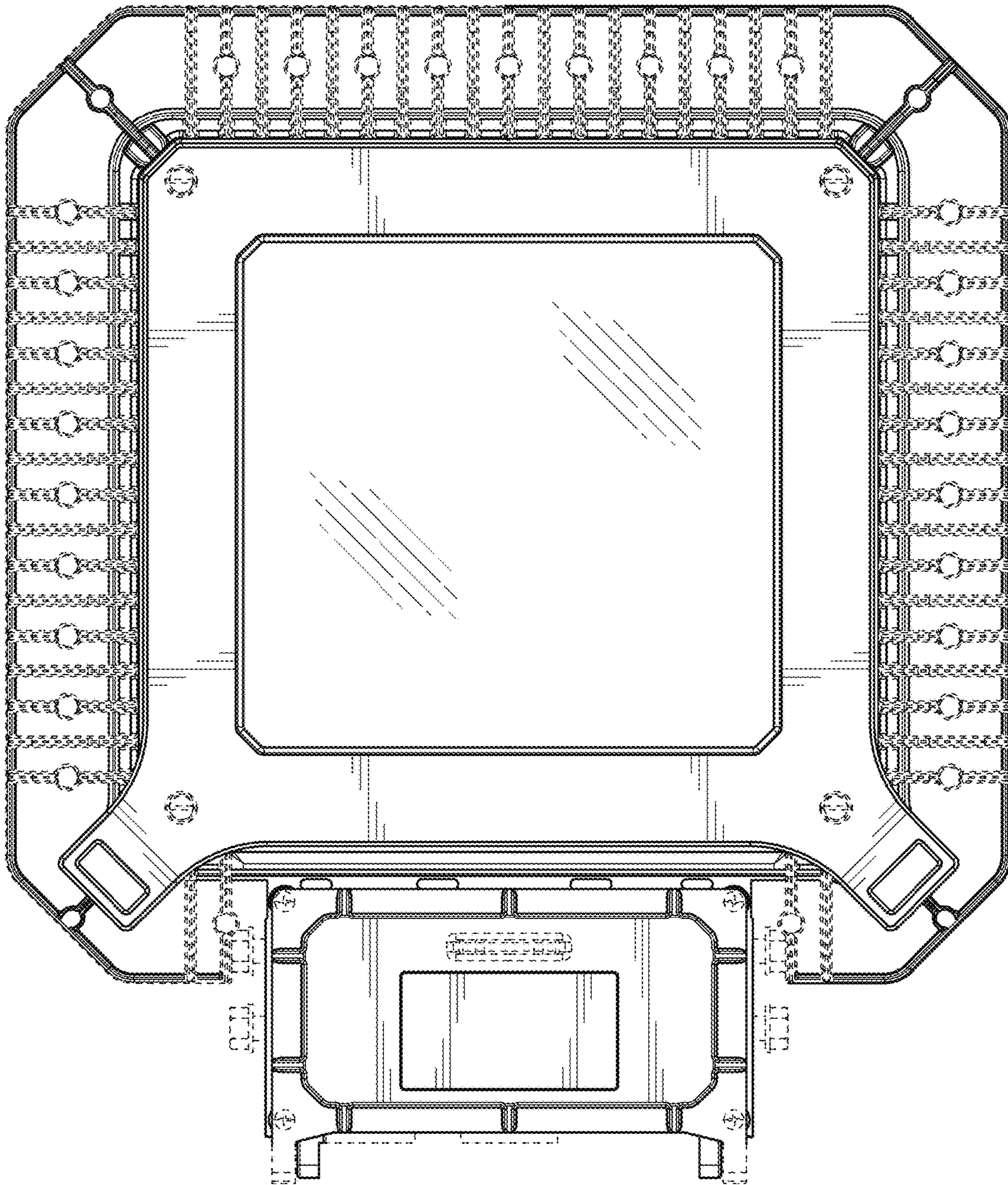


FIG. 3

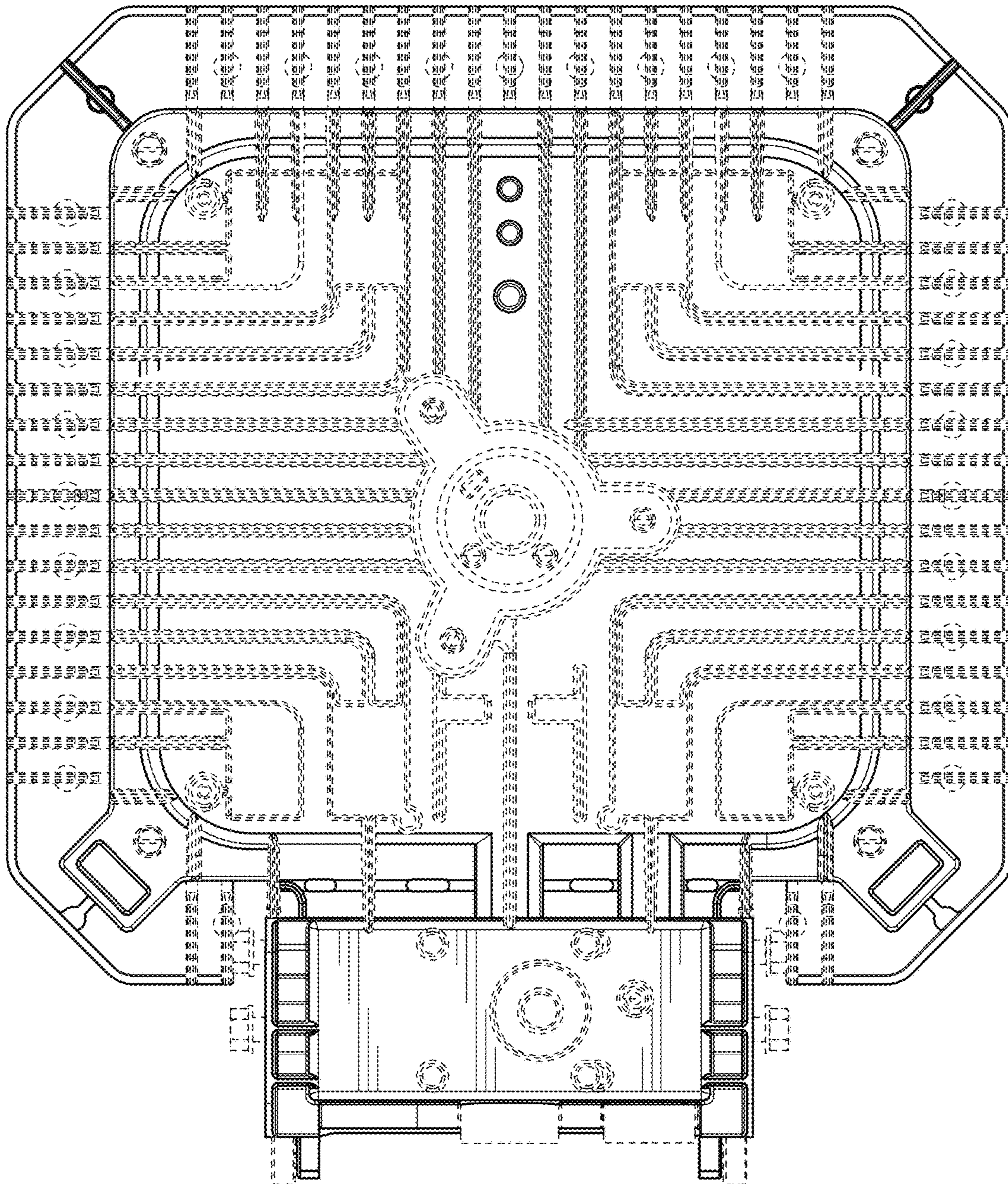


FIG. 4

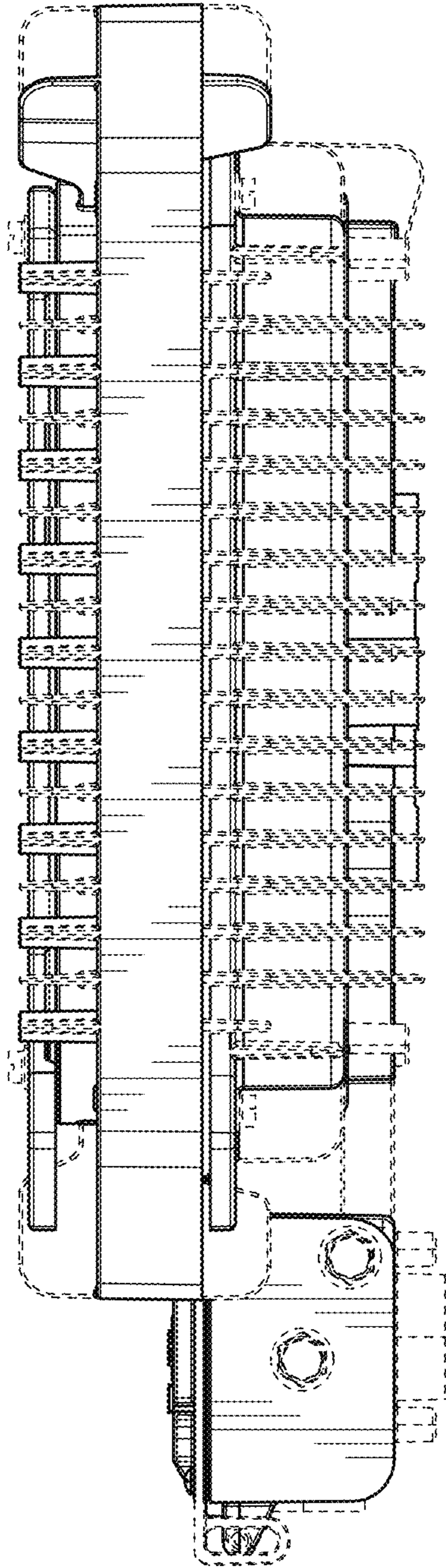


FIG. 5

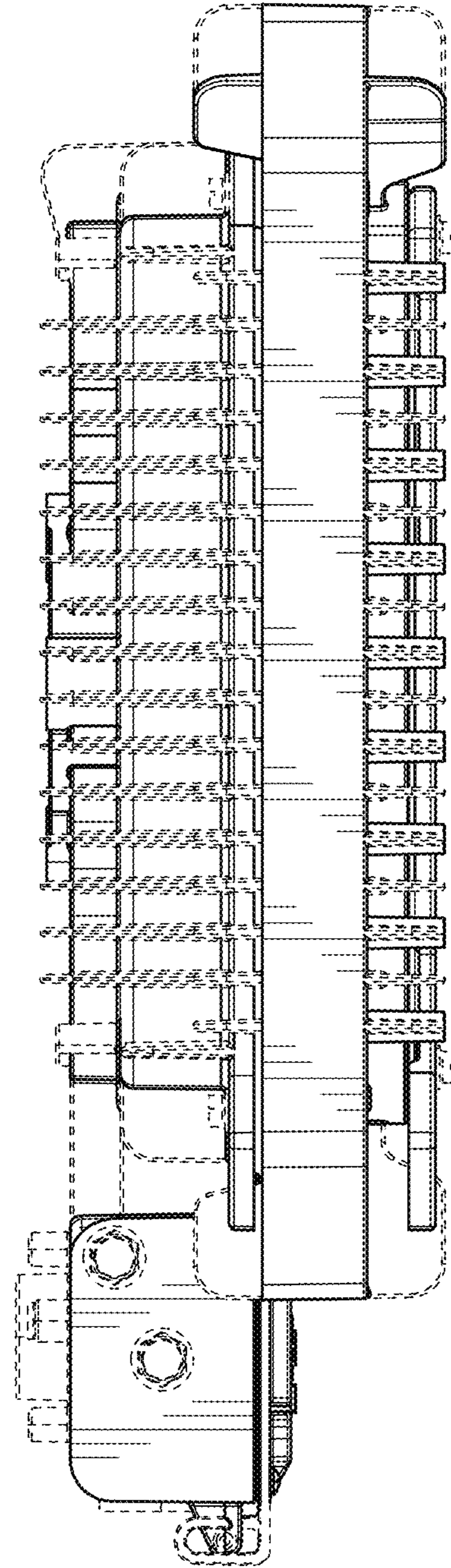


FIG. 6

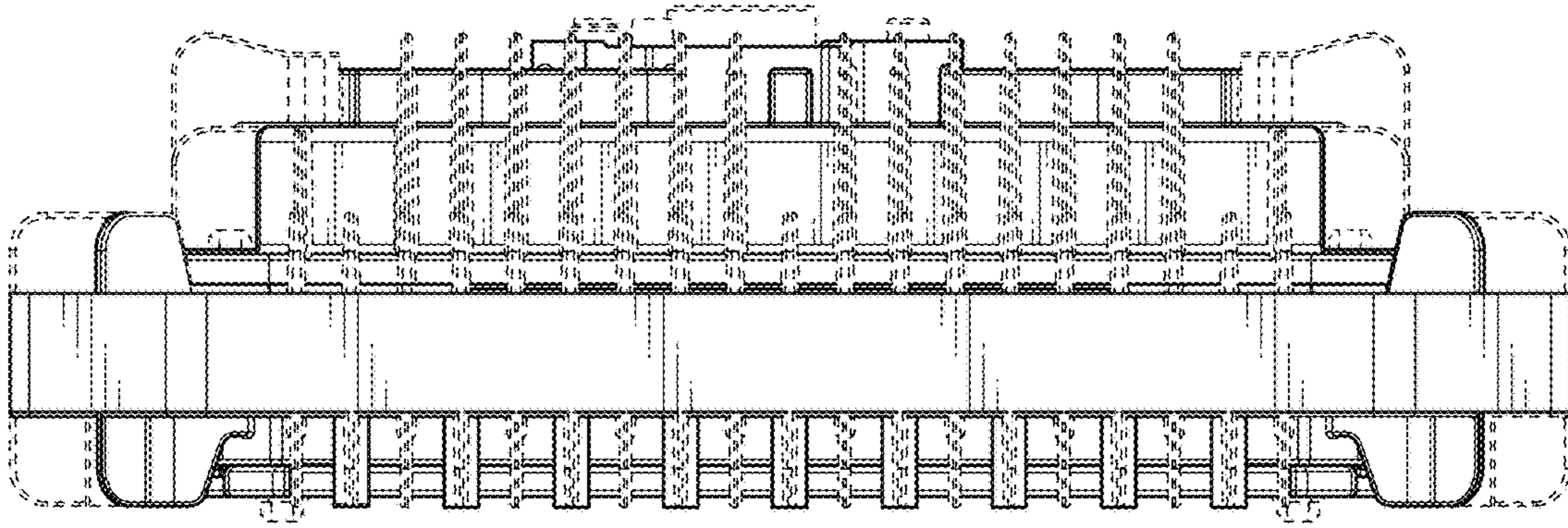


FIG. 7

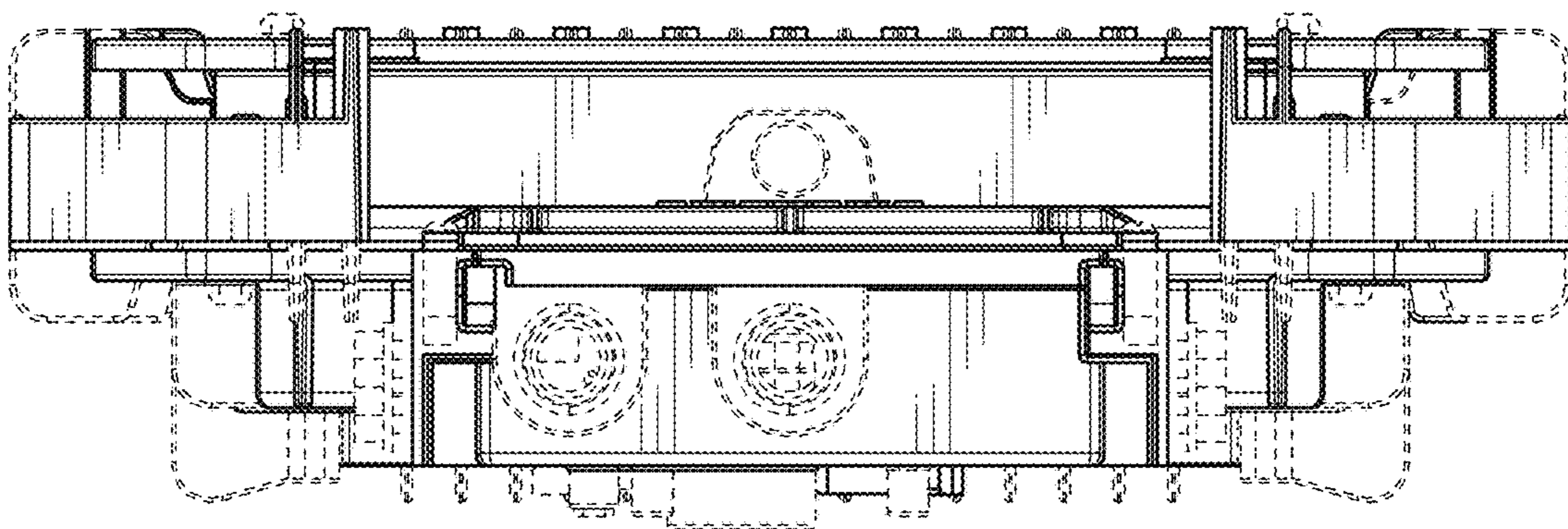


FIG. 8