



US00D808559S

(12) **United States Design Patent** (10) **Patent No.:** **US D808,559 S**
Chang (45) **Date of Patent:** **** Jan. 23, 2018**

- (54) **LED LAMP FAN**
- (71) Applicant: **Herman Chang**, Rancho Dominguez, CA (US)
- (72) Inventor: **Herman Chang**, Rancho Dominguez, CA (US)
- (73) Assignee: **Herman Chang**, Rancho Dominguez, CA (US)
- (**) Term: **15 Years**
- (21) Appl. No.: **29/583,416**
- (22) Filed: **Nov. 4, 2016**
- (51) **LOC (11) Cl.** **26-05**
- (52) **U.S. Cl.**
USPC **D26/62**
- (58) **Field of Classification Search**
USPC D13/102–110, 118–119, 184, 199;
D14/251, 253, 432, 434; D26/59, 62;
D23/370
CPC Y02E 60/12; Y02T 90/14; Y02T 90/122;
Y02T 90/128; Y02T 90/163; H02J 7/025;
H02J 7/0042; H02J 7/0044; H02J 7/0045;
H02J 7/0003; H01F 38/14; H01R
13/6675; H01M 2/1022; H01M 2/1055;
H01M 10/44; H01M 10/46; H01M
10/425; B60L 11/182
See application file for complete search history.

- D734,574 S * 7/2015 Schultz D32/18
 - 9,366,449 B2 * 6/2016 Staniforth F04F 5/16
 - D790,681 S * 6/2017 Poulton D23/370
- (Continued)

OTHER PUBLICATIONS

Turcom AirLight LED Desk Lamp by Turcom, available on amazon.com since Nov. 3, 2015, retrieved on Jul. 27, 2017, retrieved from the Internet URL: https://www.amazon.com/Turcom-Energy-Efficient-Non-Flickering-Adjustable-Touch-Sensitive/dp/B017J199DO/ref=sr_1_1?ie=UTF8&qid=1501193045&sr=8-1-spons&keywords=turcom+desk+lamp.*

Primary Examiner — Rosemary K Tarcza
Assistant Examiner — Alison M Ofstun
(74) *Attorney, Agent, or Firm* — Stefan J. Kirchanski;
Zuber Lawler & Del Duca LLP

(57) **CLAIM**

The ornamental design for an LED lamp fan, as shown and described.

DESCRIPTION

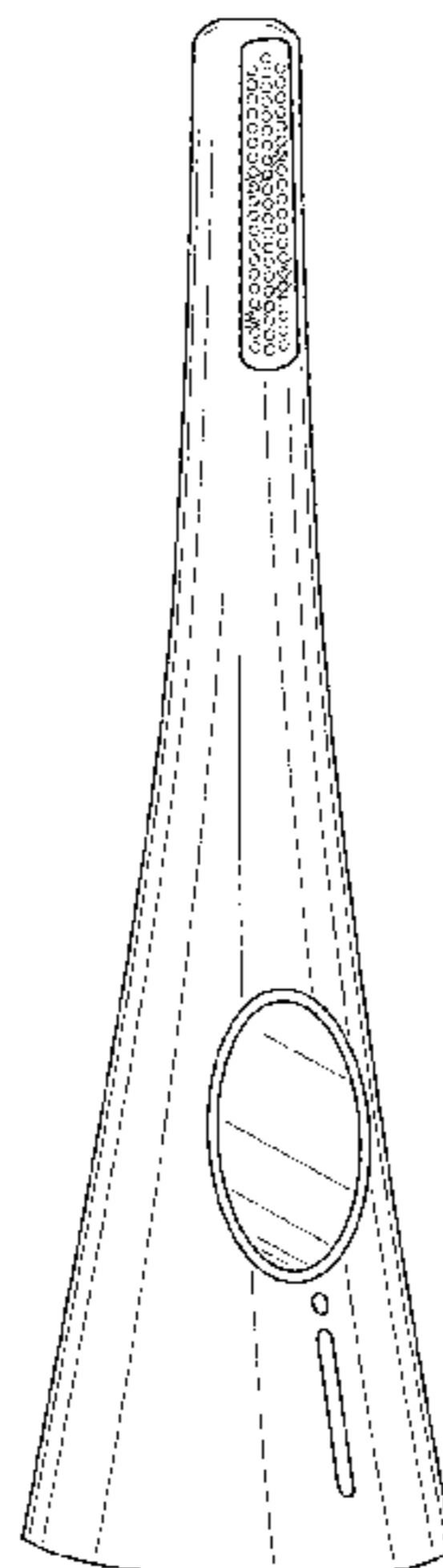
FIG. 1 is a left perspective view of an LED lamp fan showing my new design;
FIG. 2 is a front view thereof;
FIG. 3 is a back view thereof;
FIG. 4 is a left side view thereof;
FIG. 5 is a right side view thereof;
FIG. 6 is a bottom view thereof;
FIG. 7 is a top view thereof;
FIG. 8 is a left perspective view of the LED lamp fan, shown in a position of use;
FIG. 9 is a left side view thereof;
FIG. 10 is a left perspective view of the LED lamp fan, shown in a second position of use; and,
FIG. 11 is a left side view of thereof.
The broken lines present in the drawings are included for the purpose of illustrating portions of the LED lamp fan which form no part of the claimed design.

1 Claim, 9 Drawing Sheets

(56) **References Cited**

U.S. PATENT DOCUMENTS

- D205,463 S * 8/1966 Zelenko D26/62
- D371,650 S * 7/1996 Dingelstad D32/18
- D596,334 S * 7/2009 Sabernig D26/88
- D626,708 S * 11/2010 Khalil D32/18
- D629,956 S * 12/2010 Newhouse D26/93
- D640,403 S * 6/2011 Kristiansen D26/61
- D675,360 S * 1/2013 Lee D26/62
- D689,641 S * 9/2013 Huang D26/62
- D705,415 S * 5/2014 Lo D23/370
- D734,528 S * 7/2015 Douglas D26/107



(56)

References Cited

U.S. PATENT DOCUMENTS

2001/0052165 A1* 12/2001 Anderson A47L 5/24
15/344
2014/0328671 A1* 11/2014 Ojeda F04D 29/005
415/126
2017/0150857 A1* 6/2017 Lathim A47L 5/04

* cited by examiner

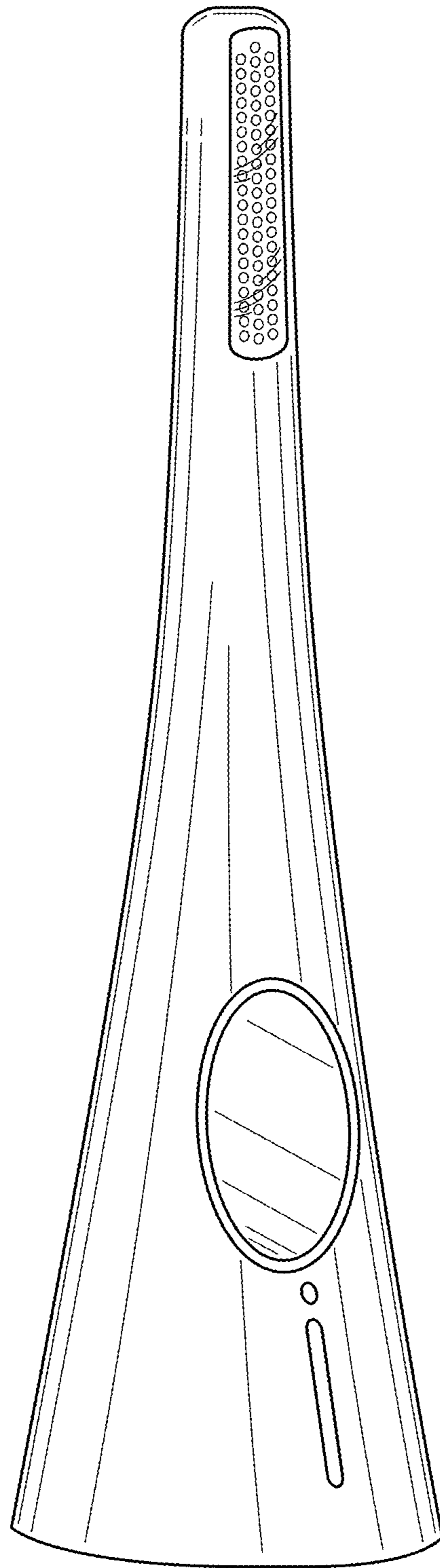


FIG. 1

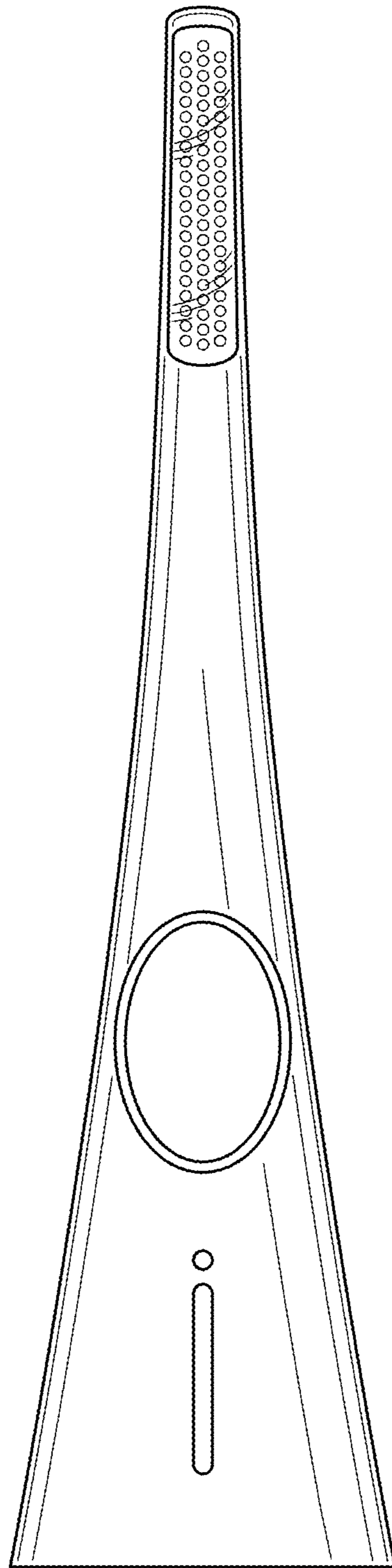


FIG. 2

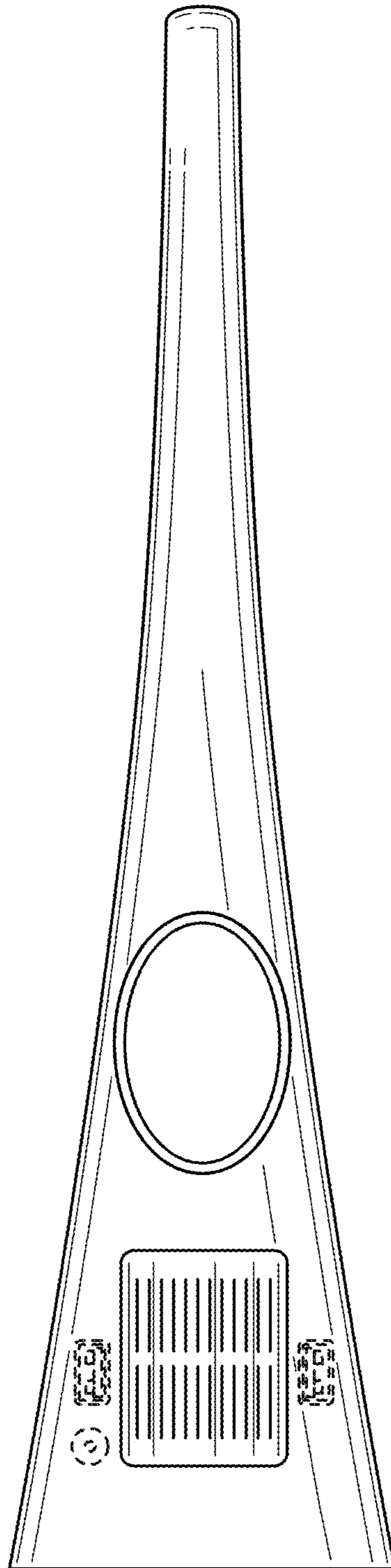


FIG. 3

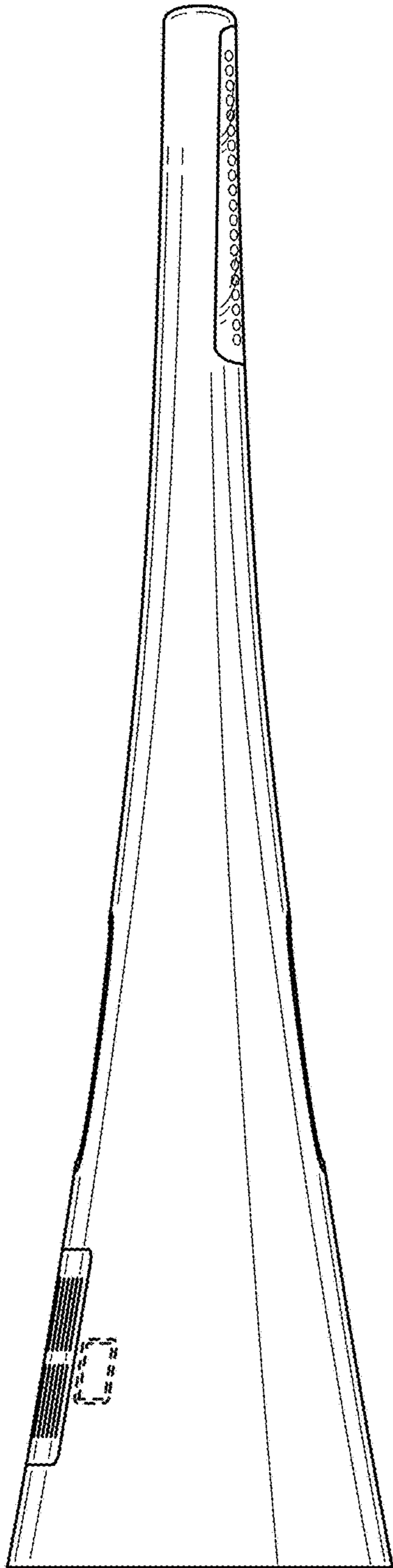


FIG. 4

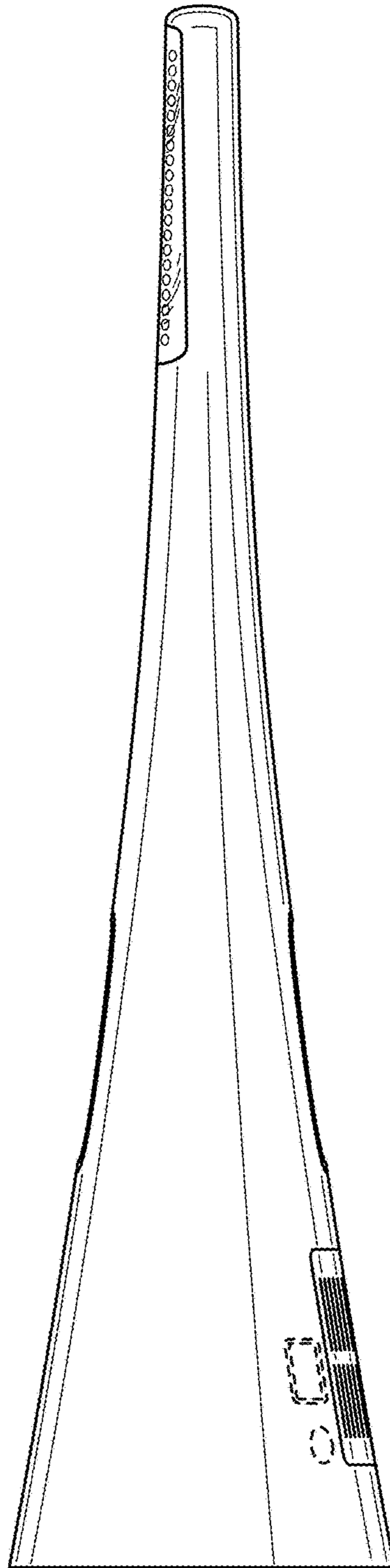


FIG. 5

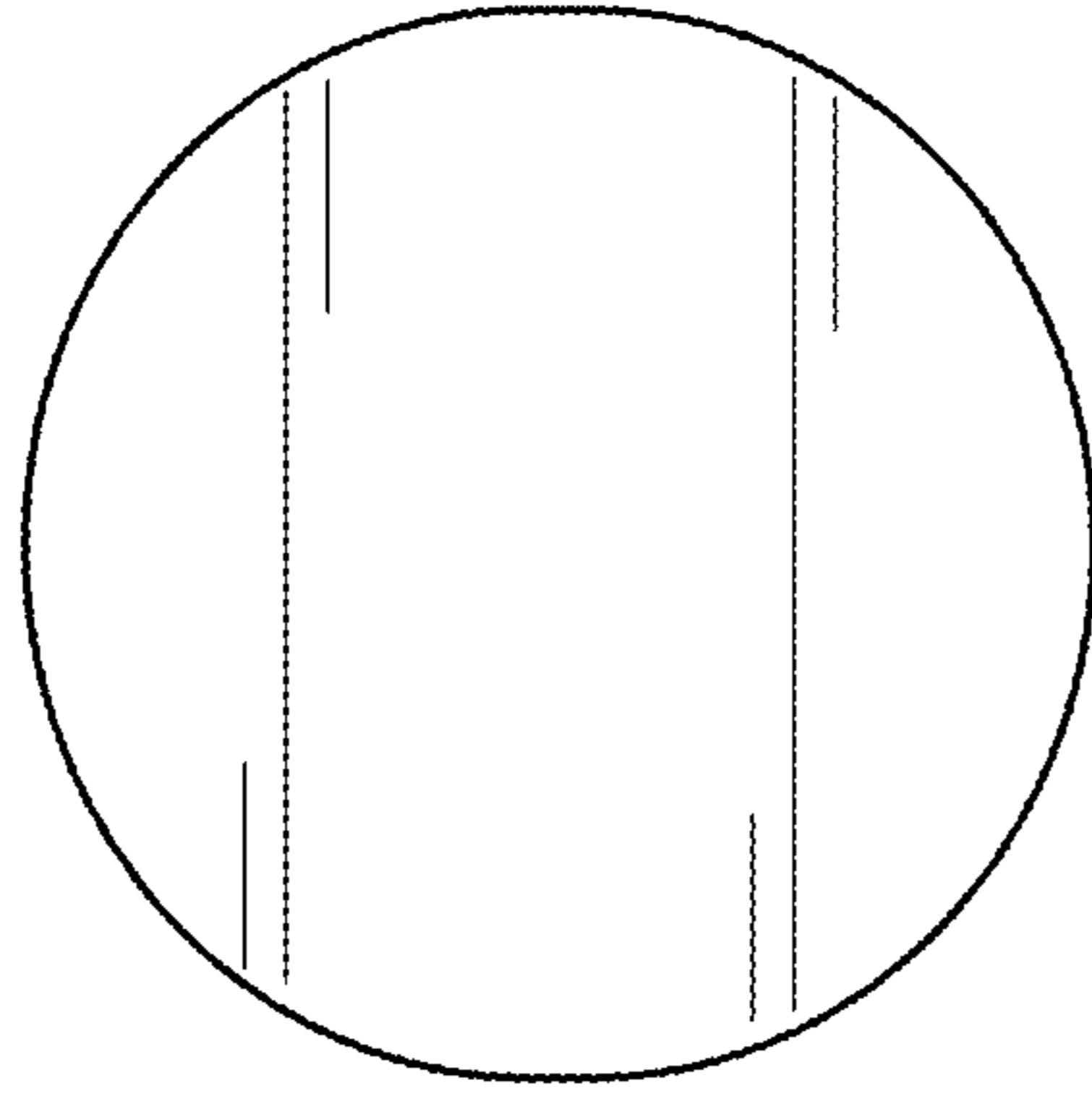


FIG. 6

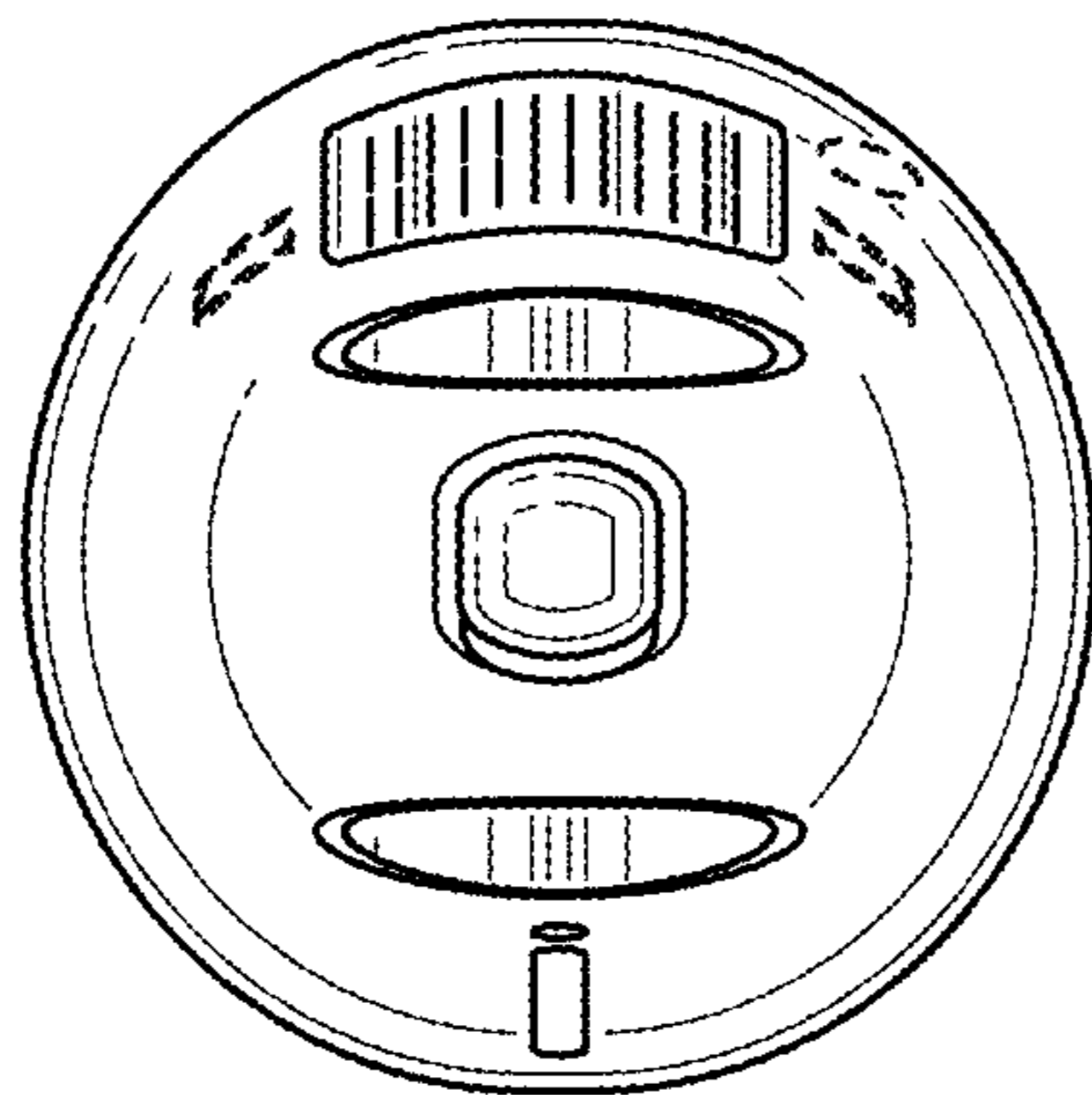


FIG. 7

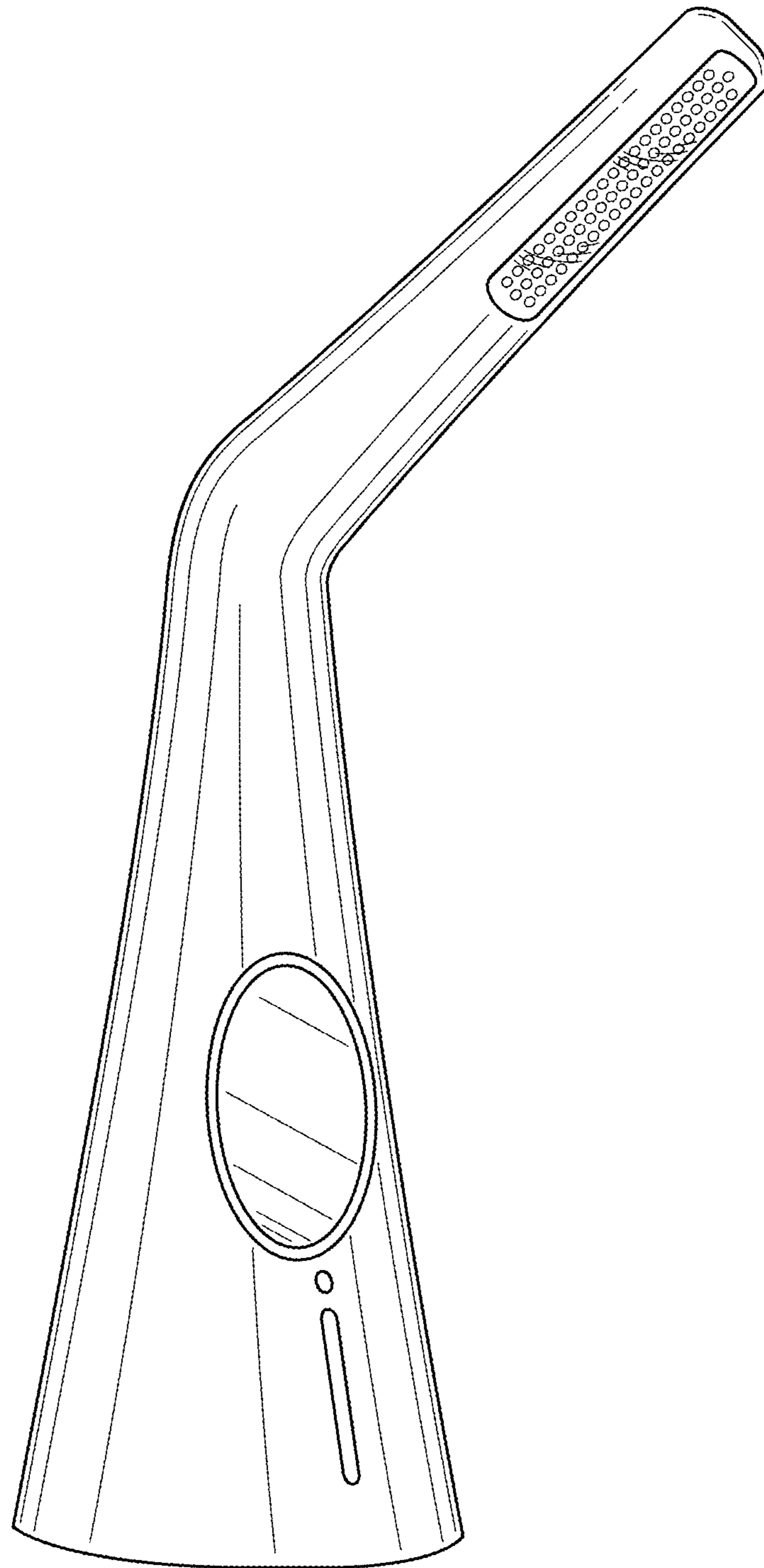


FIG. 8

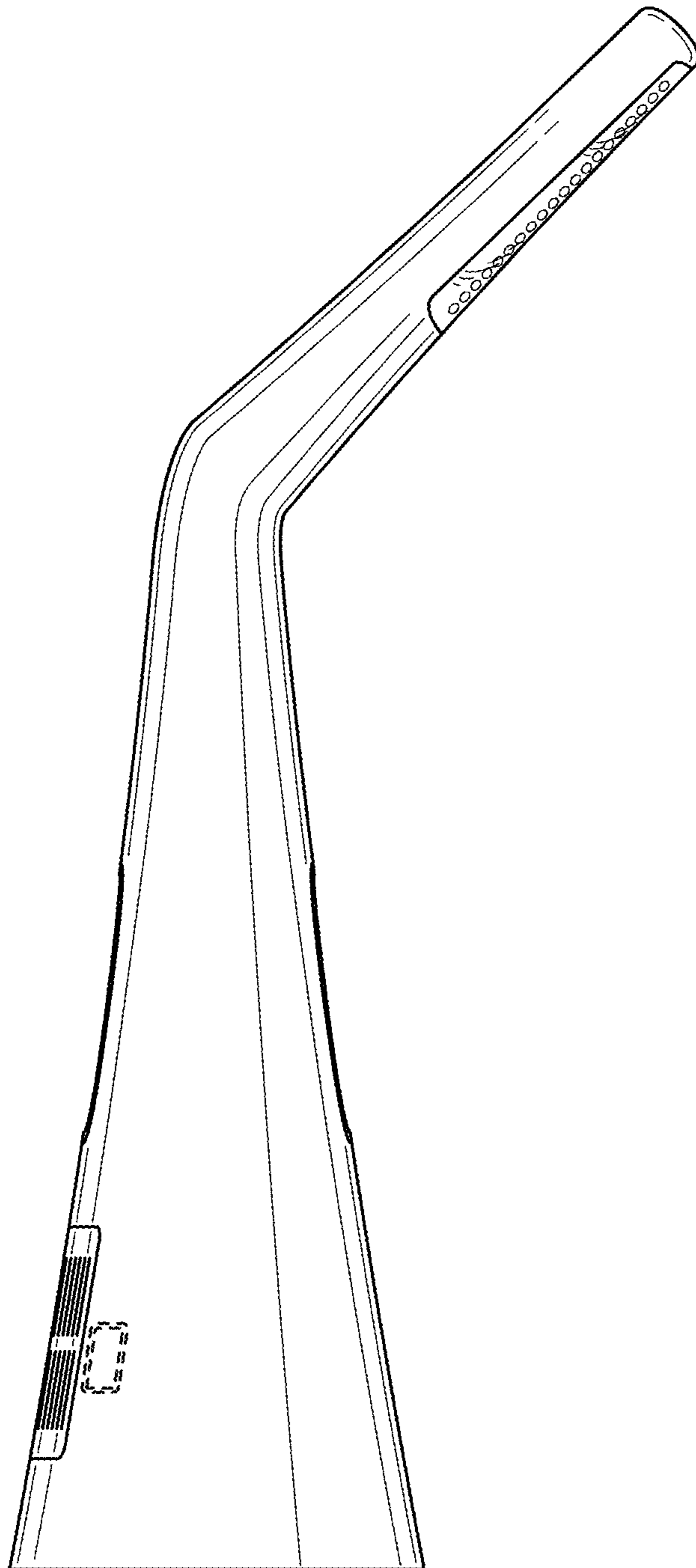


FIG. 9

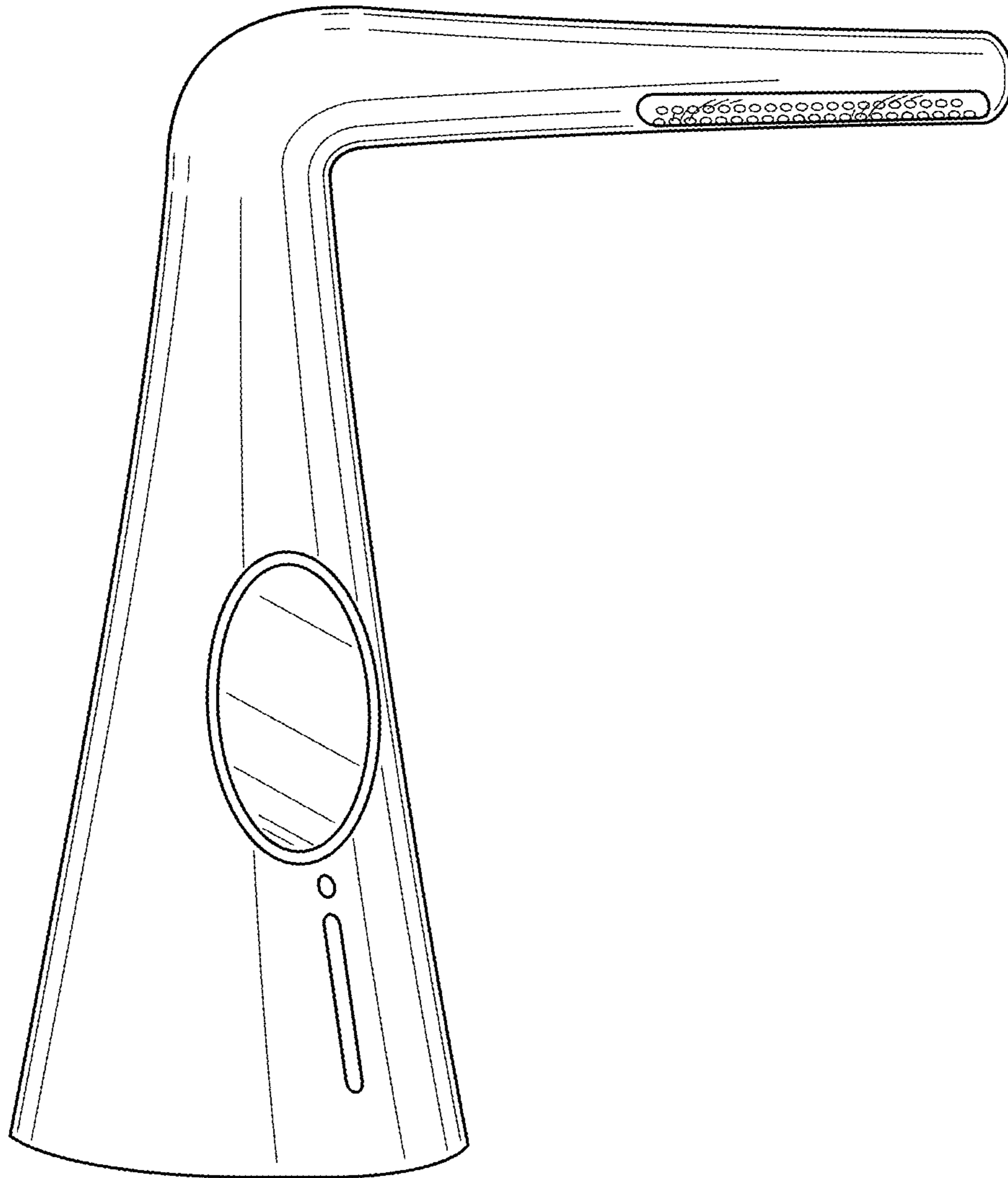


FIG. 10

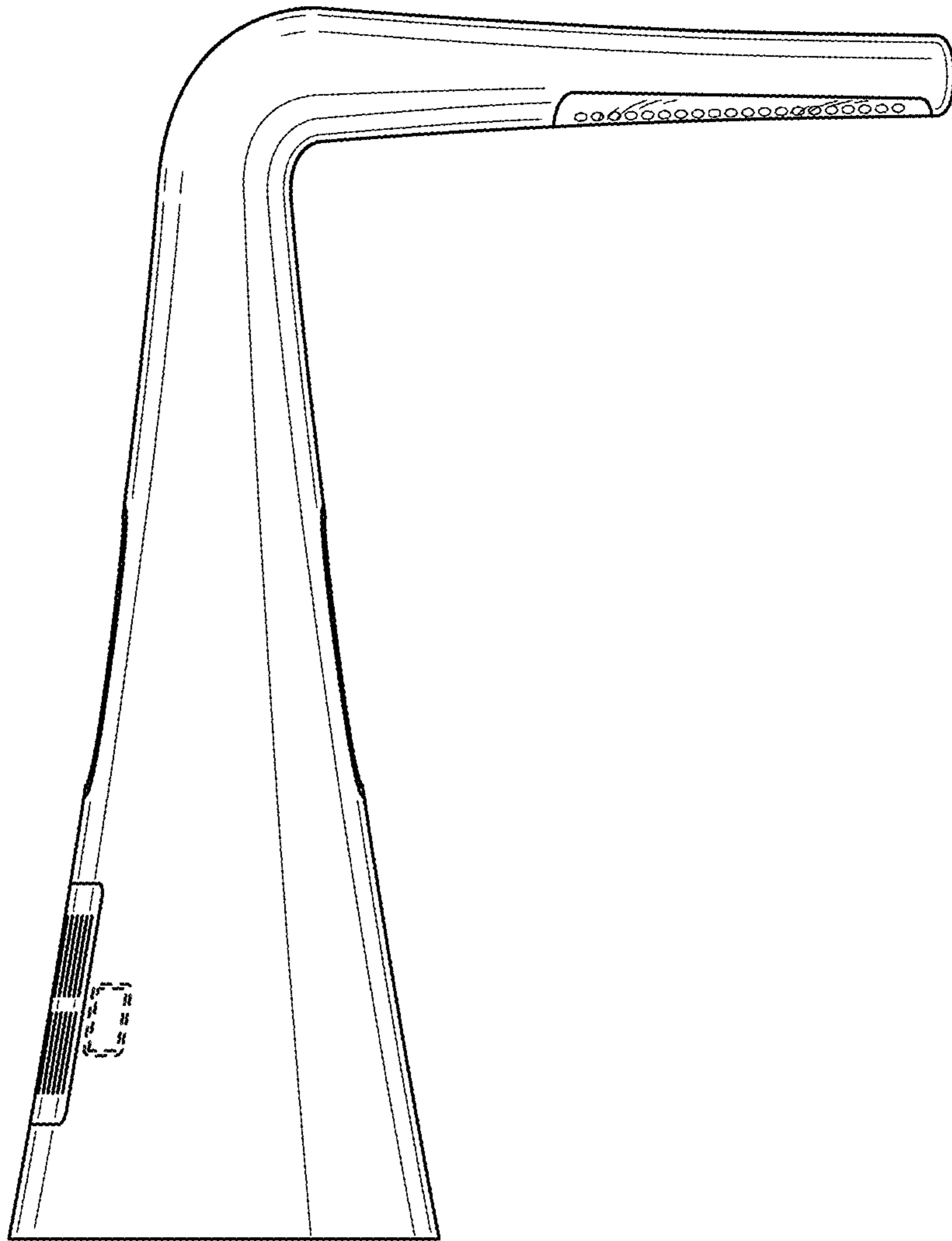


FIG. 11