



US00D808558S

(12) **United States Design Patent**
Seehof

(10) **Patent No.:** **US D808,558 S**
(45) **Date of Patent:** **** Jan. 23, 2018**

(54) **GRAB RAIL WITH CAVITY FOR LIGHT**

(71) Applicant: **HANSEN INTERNATIONAL, INC.**,
Lexington, SC (US)

(72) Inventor: **John J. Seehof**, Lexington, SC (US)

(73) Assignee: **Hansen Intellectual, Inc.**, Lexington,
SC (US)

(**) Term: **14 Years**

(21) Appl. No.: **29/468,350**

(22) Filed: **Sep. 30, 2013**

(51) **LOC (11) Cl.** **26-02**

(52) **U.S. Cl.**
USPC **D26/51; D8/317**

(58) **Field of Classification Search**
USPC D26/51, 38, 34, 113; 362/253, 488;
D25/119, 41.1; D8/301, 316, 315, 317;
D6/533; 52/184; 256/59, 65.01,
256/65.02-65.09, 65.16, 70
CPC F21V 33/00; F21V 14/025; F21V 21/406;
F21Y 2101/02; F21L 17/00; F21L 13/08;
B65D 88/54
See application file for complete search history.

(56) **References Cited**

U.S. PATENT DOCUMENTS

D29,071 S *	7/1898	Eldridge et al.	D10/8
4,461,509 A *	7/1984	Yaotani	B60R 13/0212 211/182
4,895,332 A	1/1990	Hansen et al.		
D368,843 S *	4/1996	Chieda	D8/317
5,779,228 A	7/1998	Hansen		
6,554,338 B1 *	4/2003	Spence	B60N 3/02 16/110.1
D474,281 S	5/2003	Hansen		
D504,524 S *	4/2005	Lookman	D25/119
D559,653 S *	1/2008	Reichling	D8/315

D574,694 S *	8/2008	Krumpe	D8/316
D578,371 S *	10/2008	Matijevic	D8/316
D621,955 S	8/2010	Seehof		
D630,768 S	1/2011	Witiak		
D642,428 S *	8/2011	Rae	D7/394
D647,213 S	10/2011	Seehof		
D647,214 S	10/2011	Seehof		
D647,215 S	10/2011	Seehof		
D647,629 S	10/2011	Seehof		
D647,630 S	10/2011	Seehof		
D647,631 S	10/2011	Seehof		

(Continued)

Primary Examiner — Ian Simmons

Assistant Examiner — Carissa C Fitts

(74) *Attorney, Agent, or Firm* — JK Intellectual Property
Law, PA

(57) **CLAIM**

The ornamental design for a grab rail with cavity for light,
as shown and described.

DESCRIPTION

FIG. 1 is a perspective view of the grab rail according to the
present design showing a grab rail with ridges and a cavity
for receiving a lighting element;

FIG. 2 is a top view of the grab rail of FIG. 1;

FIG. 3 is a bottom view of the grab rail of FIG. 1;

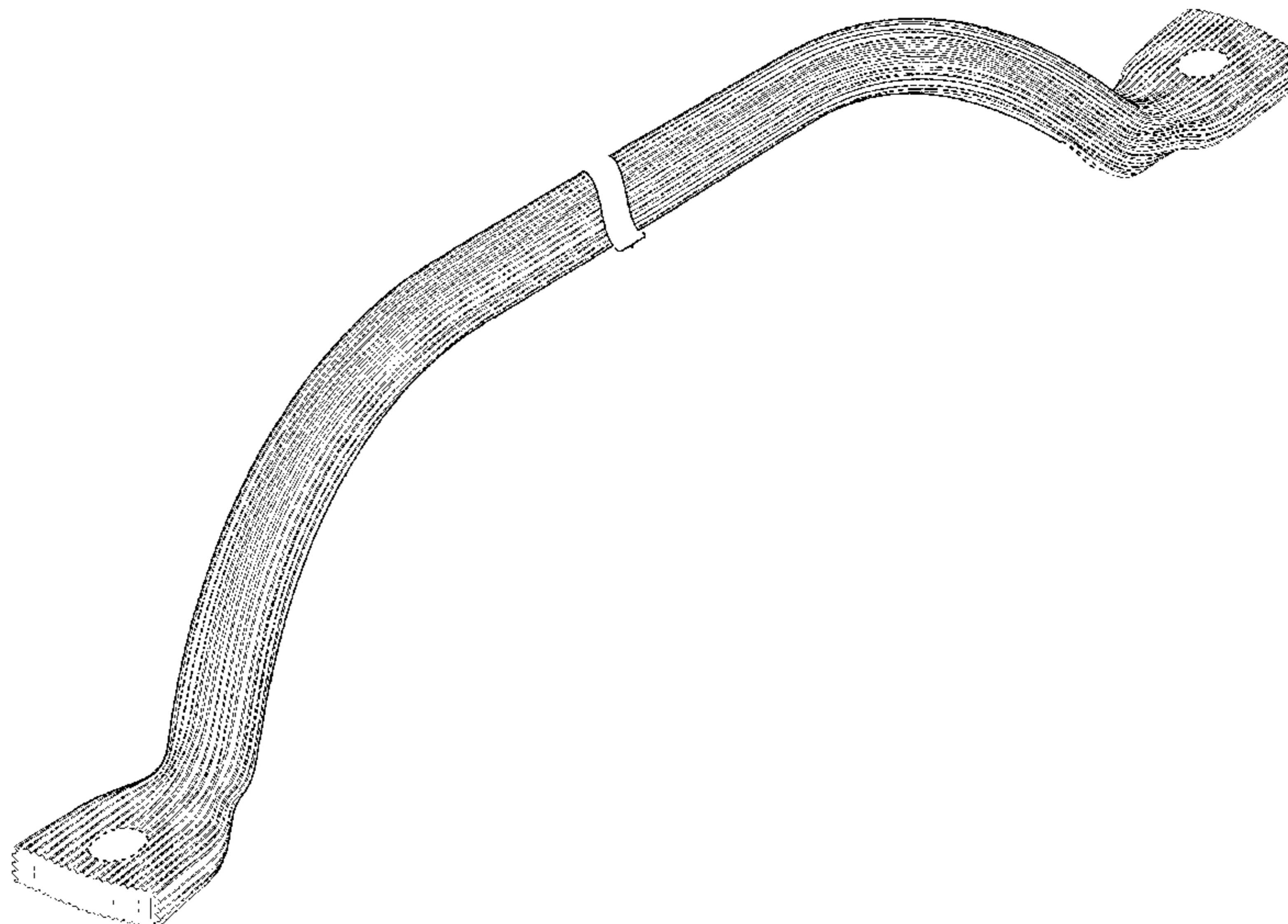
FIG. 4 is a right or left side view of the grab rail of FIG. 1;

FIG. 5 is first or second end view of the grab rail of FIG. 1;
and,

FIG. 6 is an enlarged partial view of the grab rail taken from
FIG. 5.

The claimed design comprises the elements shown in solid
lines, the elements shown in dotted lines such as the mount-
ing holes and shapes of the light cavity and its ends forming
no part of the claimed design. The article is shown with a
symbolic break in its length, with the understanding that the
portions of the device not shown in the drawings form no
part of the claimed design.

1 Claim, 5 Drawing Sheets



(56)

References Cited

U.S. PATENT DOCUMENTS

D648,039	S	11/2011	Seehof	
D649,005	S *	11/2011	Roe	D8/316
D704,031	S *	5/2014	Jou	A47B 95/02
				D8/317
D704,988	S *	5/2014	Rae	D7/394
2003/0110716	A1 *	6/2003	Hansen	F16B 13/0891
				52/184
2013/0182428	A1	7/2013	Seehof et al.	

* cited by examiner

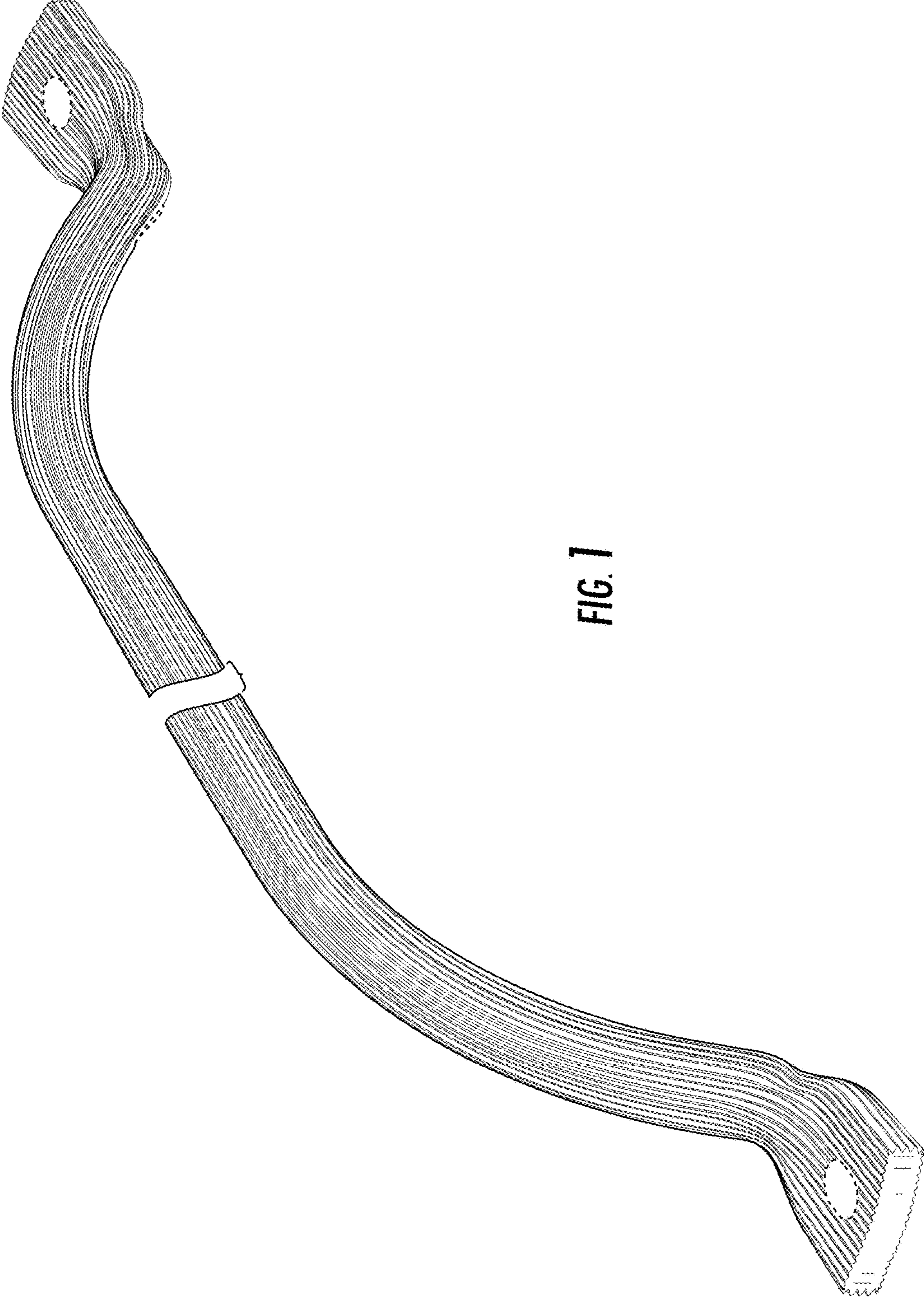


FIG. 1

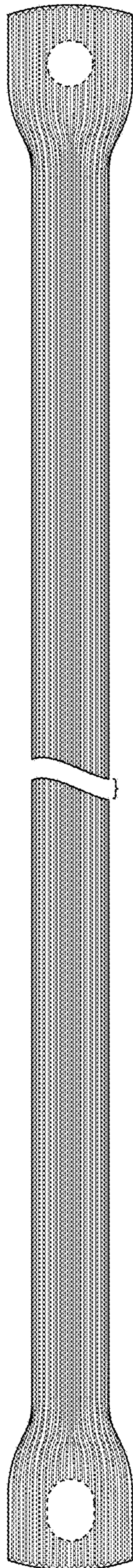


FIG. 2

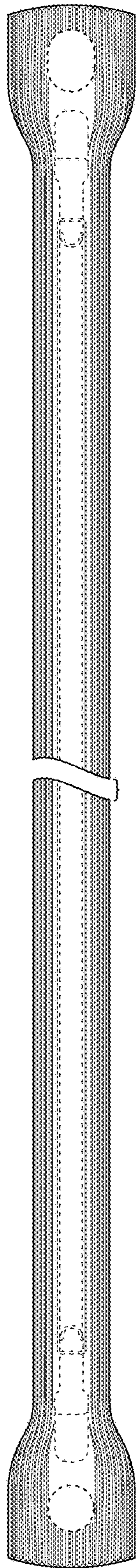


FIG. 3

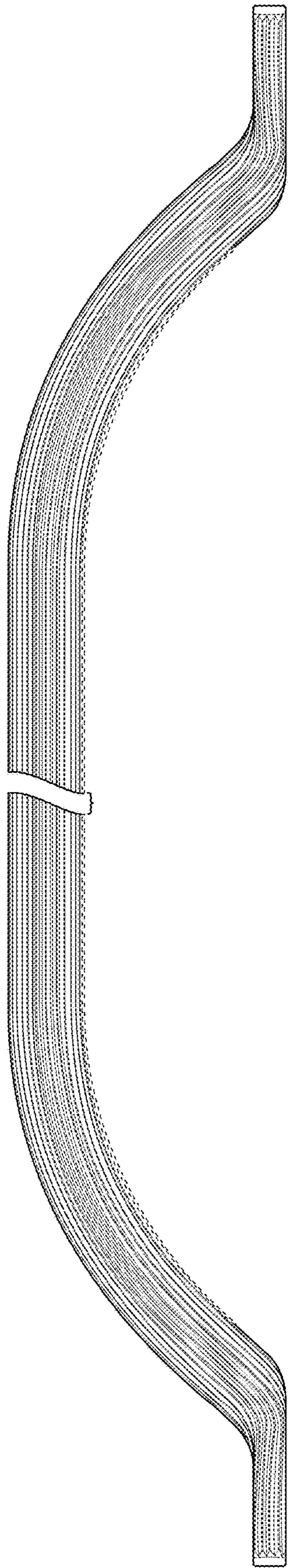


FIG. 4

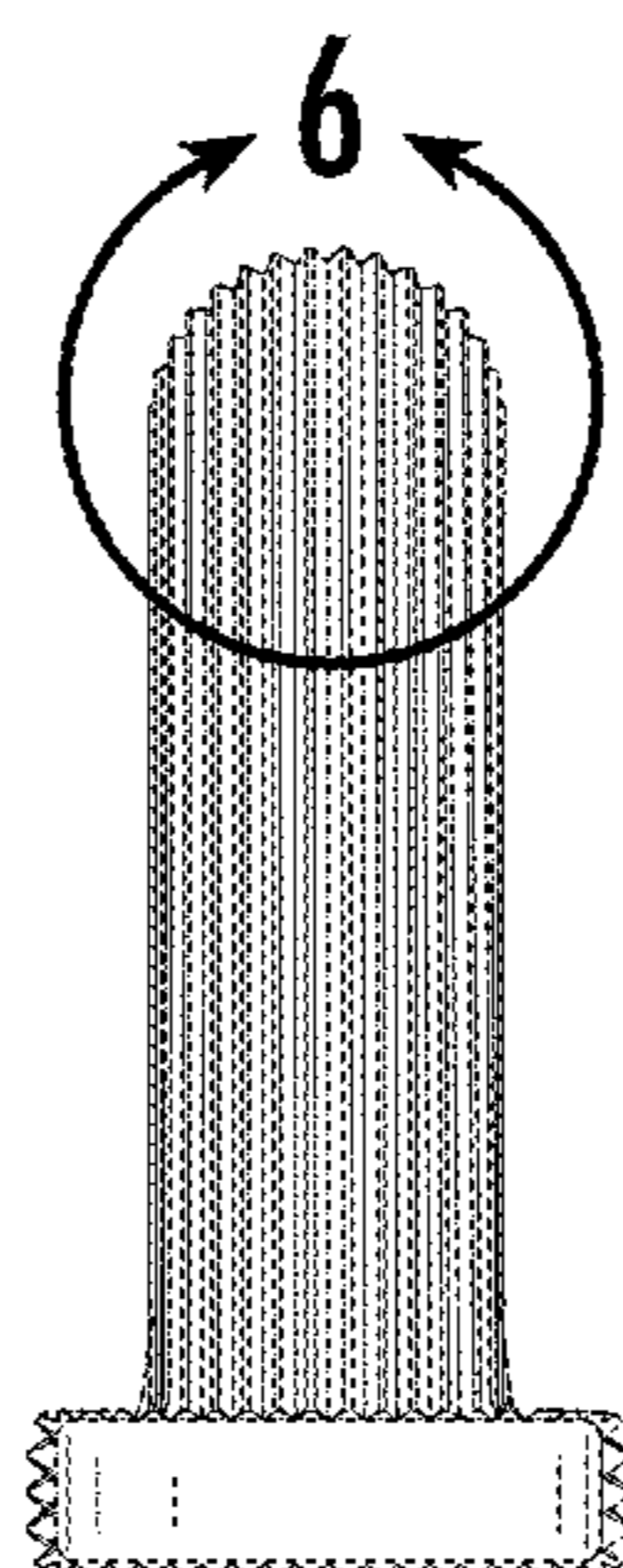


FIG. 5

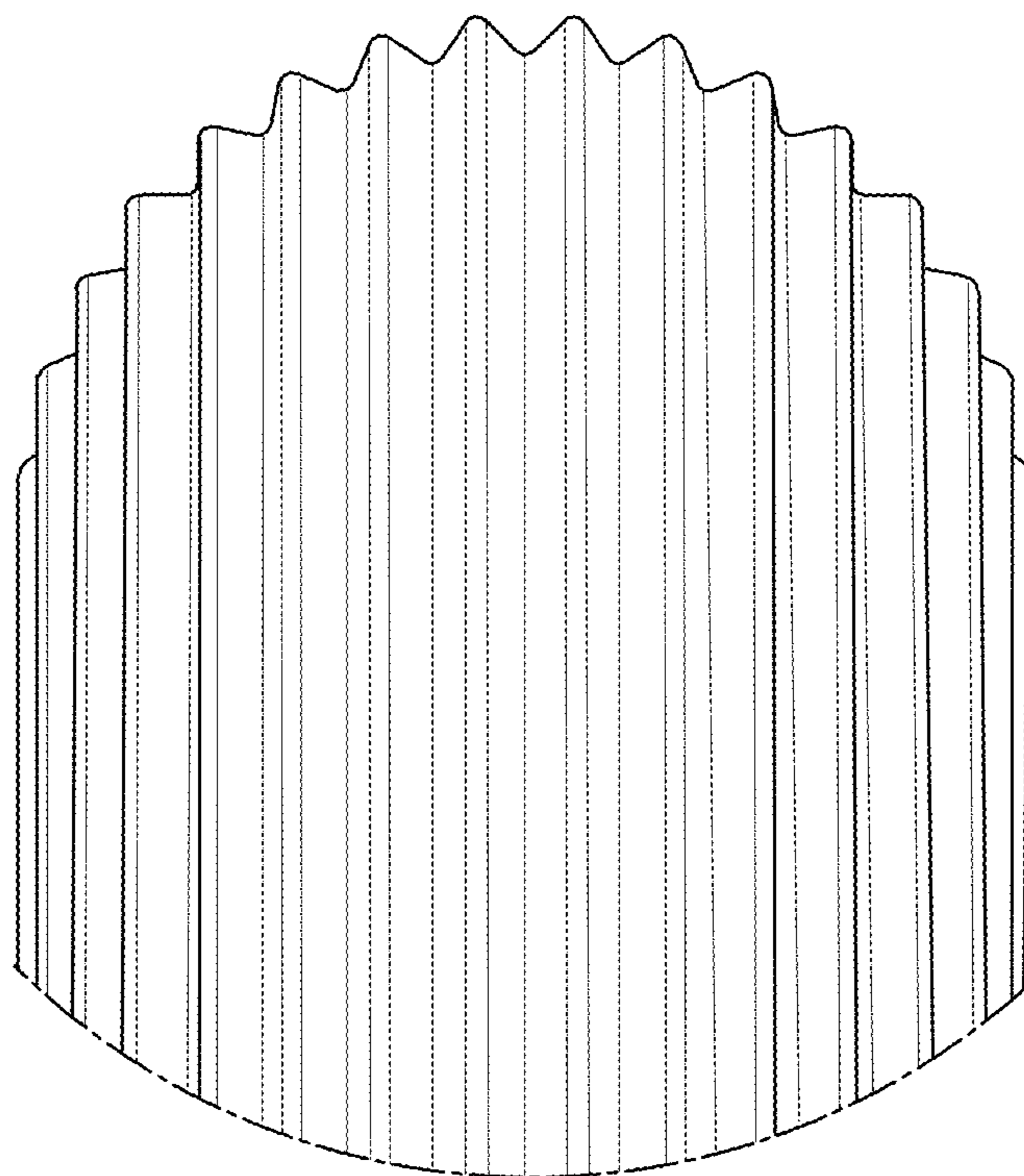


FIG. 6