



US00D808555S

(12) **United States Design Patent**  
**Inskeep**

(10) **Patent No.:** **US D808,555 S**

(45) **Date of Patent:** **\*\* Jan. 23, 2018**

(54) **WORK LIGHT**

8,708,519 B2 \* 4/2014 Kovacik ..... F21L 14/023  
362/235

(71) Applicant: **Mathew Inskeep**, Highland Beach, FL  
(US)

D750,303 S \* 2/2016 Levy ..... D26/37

D757,971 S \* 5/2016 Kovacik ..... D26/37

D768,897 S \* 10/2016 Cooper ..... D26/37

D787,104 S \* 5/2017 Wu ..... D26/41

D790,098 S \* 6/2017 Esarey ..... D26/40

D794,234 S \* 8/2017 Levy ..... D26/37

(72) Inventor: **Mathew Inskeep**, Highland Beach, FL  
(US)

(\*\*) Term: **15 Years**

\* cited by examiner

(21) Appl. No.: **29/575,025**

*Primary Examiner* — Brian N. Vinson

(22) Filed: **Aug. 22, 2016**

(57) **CLAIM**

(51) **LOC (11) Cl.** ..... **26-02**

The ornamental design for a work light, as shown and described.

(52) **U.S. Cl.**

**DESCRIPTION**

USPC ..... **D26/41**

(58) **Field of Classification Search**

USPC ..... D26/37-46

CPC ... F21L 4/00; F21L 4/005; F21L 4/022; F21L

4/025; F21L 4/027; F21L 7/00; F21L

19/00; F21V 21/084; F21V 21/0085;

F21W 2111/10

See application file for complete search history.

FIG. 1 is a top perspective view of the work light showing my new design.

FIG. 2 is a bottom perspective view thereof.

FIG. 3 is a top perspective view thereof with hook lowered.

FIG. 4 is a back perspective view thereof with hook lowered.

FIG. 5 is a top view thereof.

FIG. 6 is a bottom view thereof.

FIG. 7 is a left side view thereof.

FIG. 8 is a right side view thereof.

FIG. 9 is a front view thereof; and,

FIG. 10 is a back view thereof.

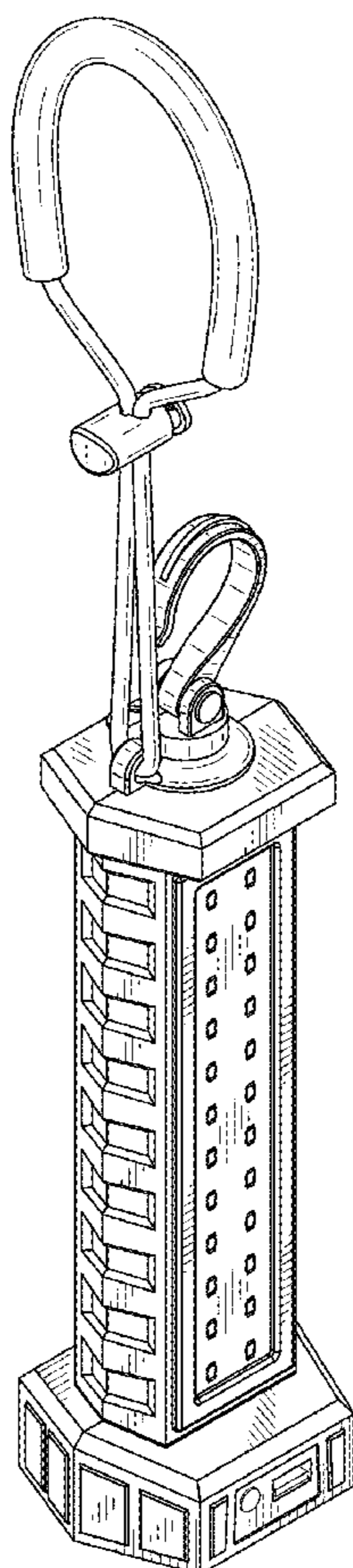
(56) **References Cited**

**U.S. PATENT DOCUMENTS**

D631,178 S \* 1/2011 Kovacik ..... D26/38

D698,959 S \* 2/2014 Shen ..... D26/46

**1 Claim, 9 Drawing Sheets**



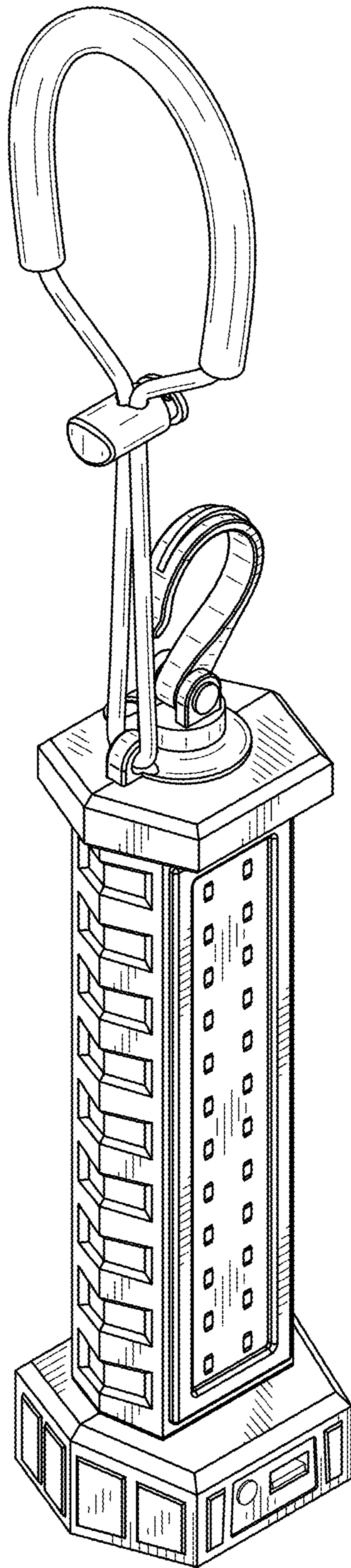


FIG. 1

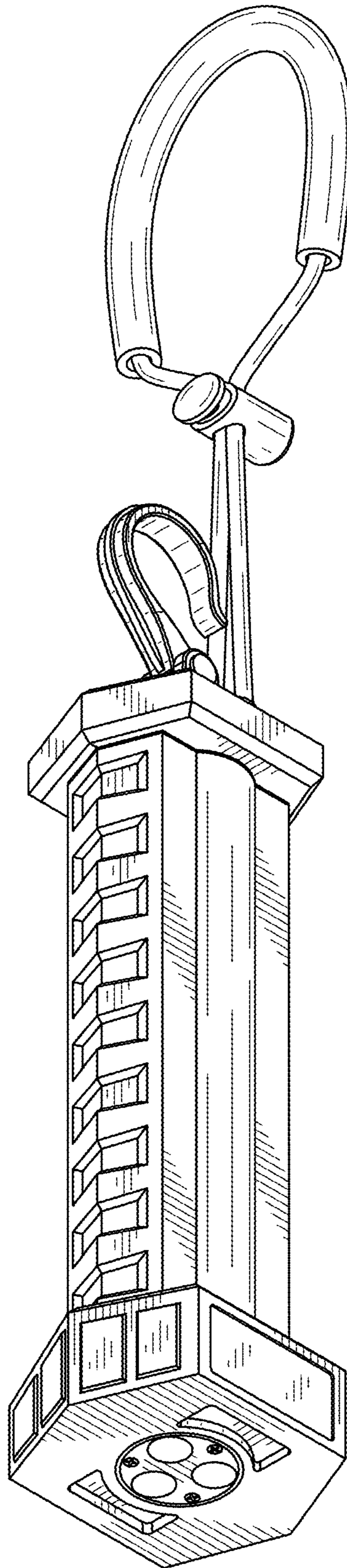


FIG. 2

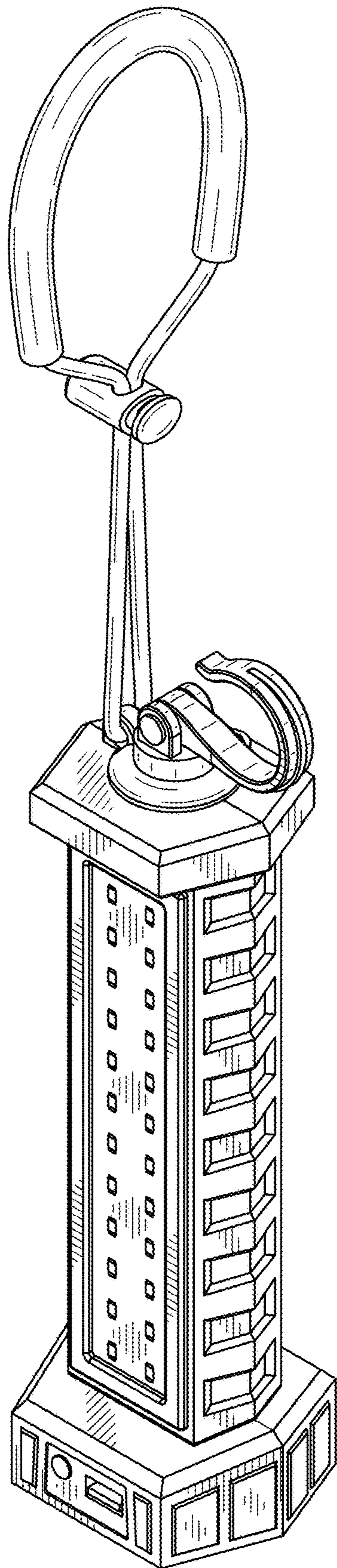


FIG. 3

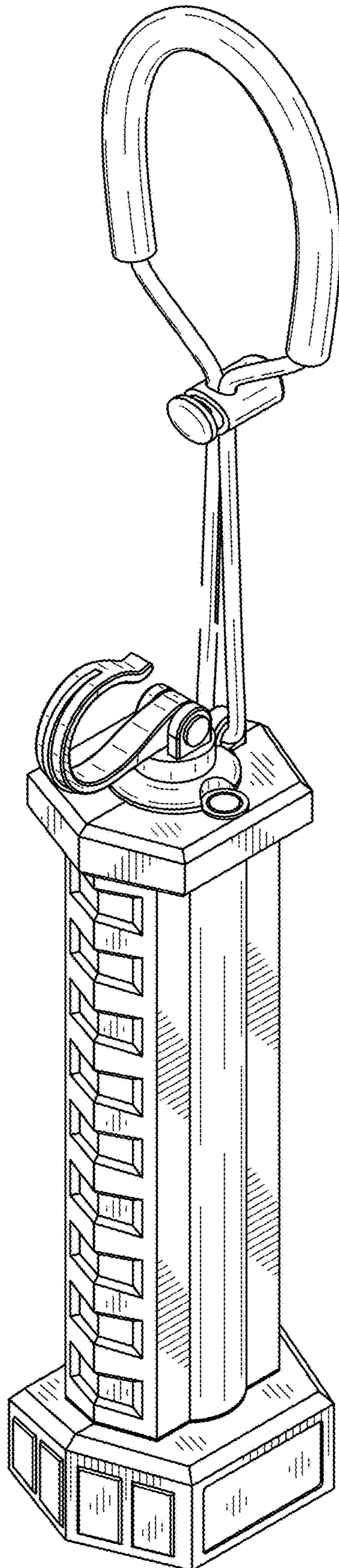


FIG. 4

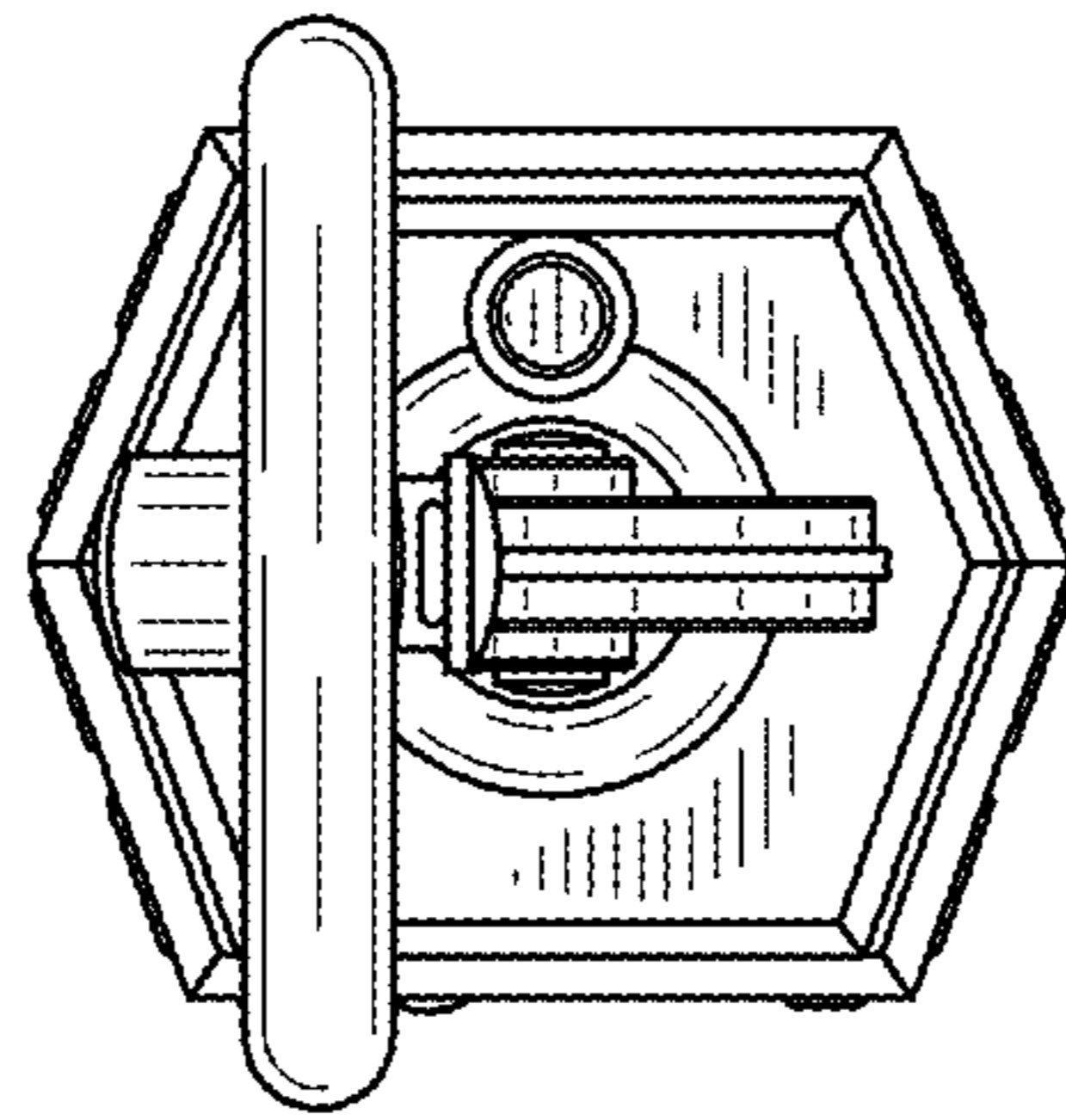


FIG. 5

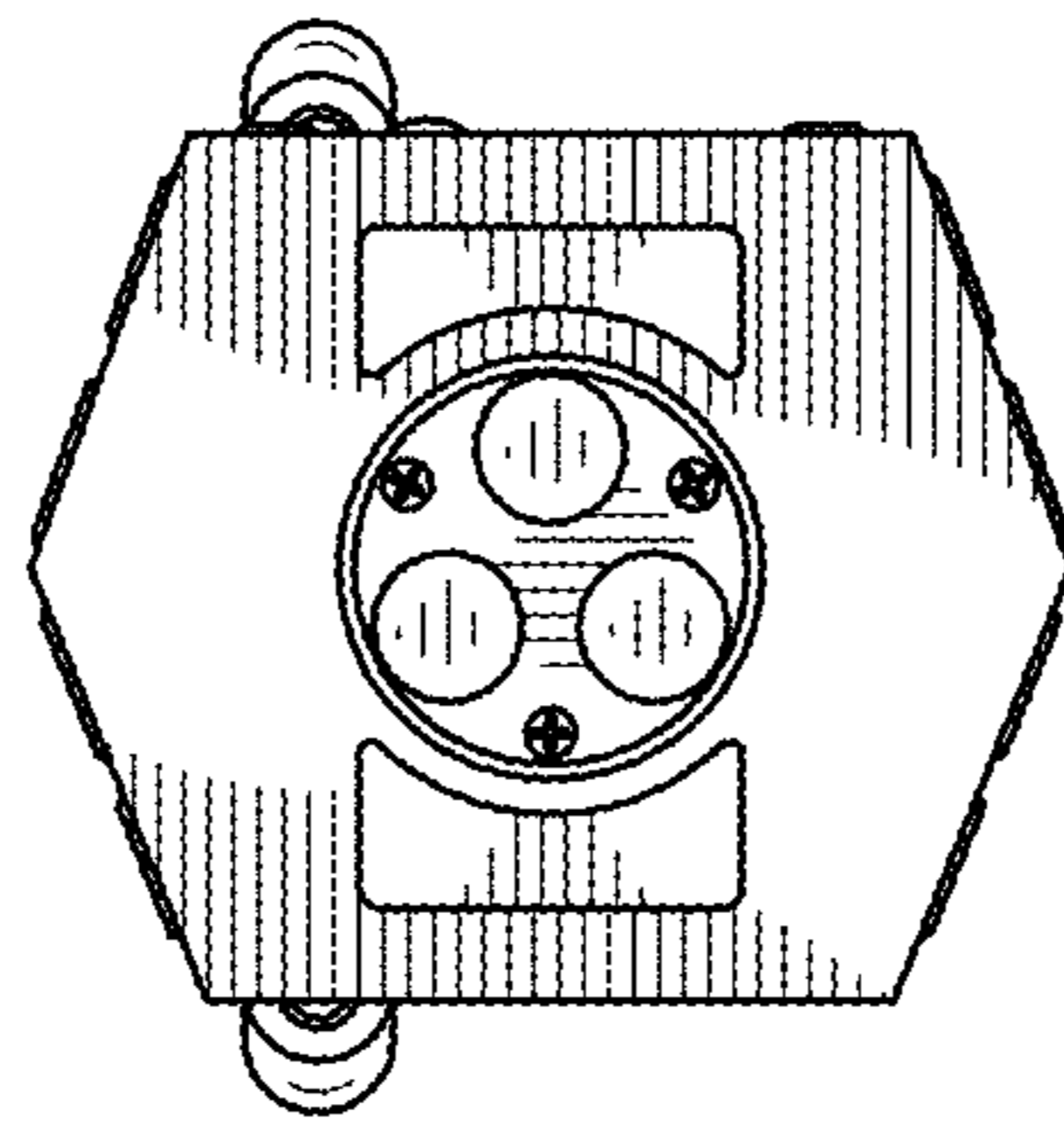


FIG. 6

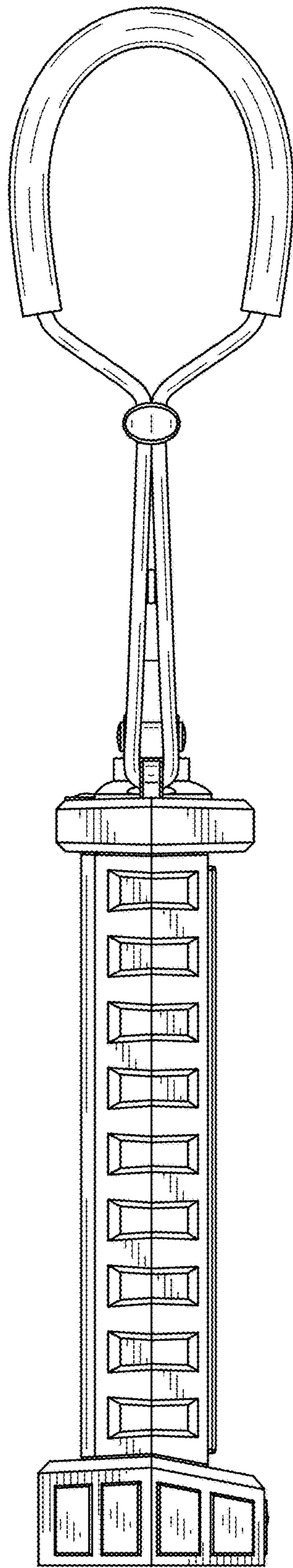


FIG. 7

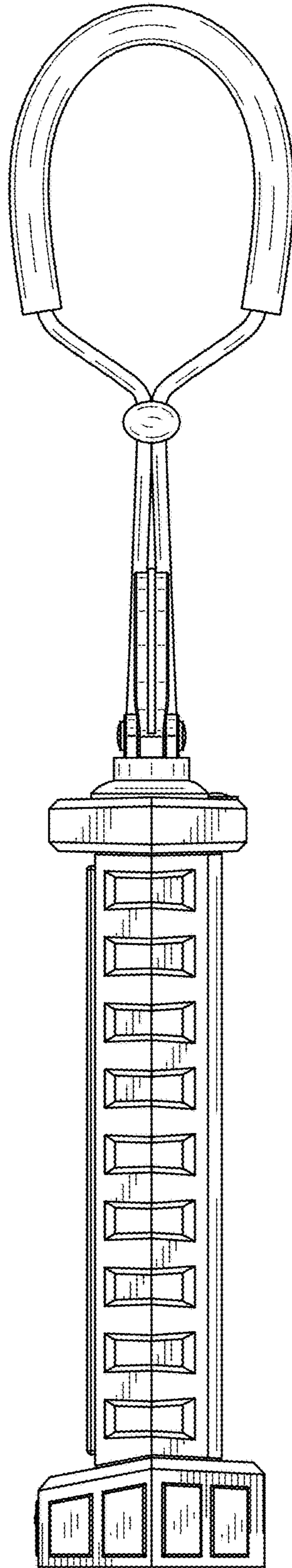


FIG. 8



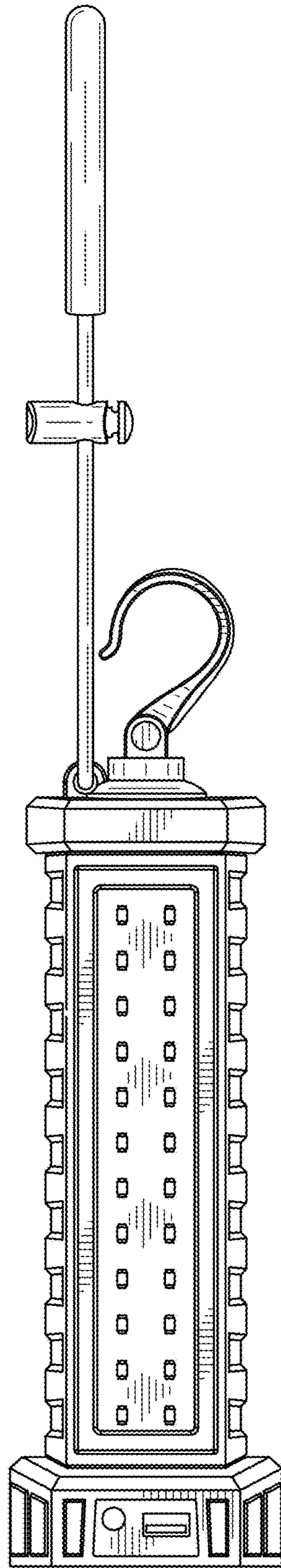


FIG. 9

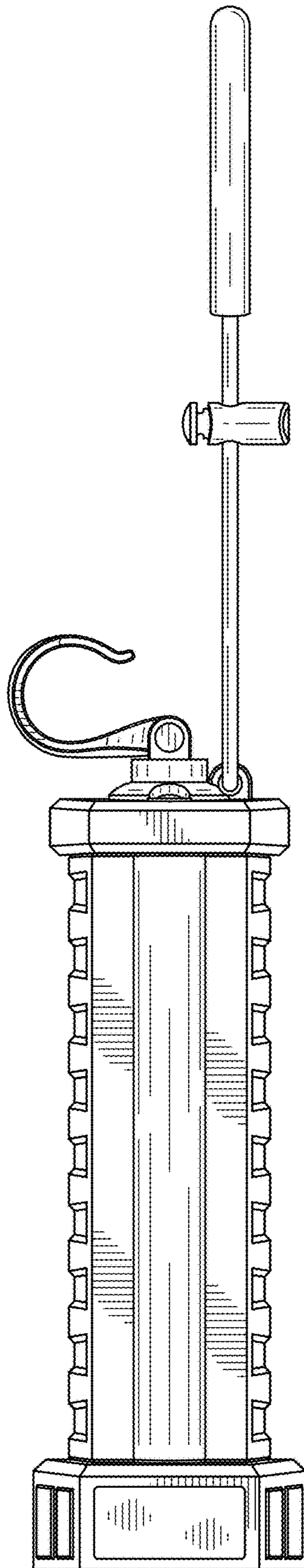


FIG. 10