



US00D808554S

(12) **United States Design Patent** (10) **Patent No.:** **US D808,554 S**
Nelson (45) **Date of Patent:** **** Jan. 23, 2018**

(54) **BEZEL FOR A WORK LIGHT**

(71) Applicant: **Home Depot Product Authority, LLC,**
Atlanta, GA (US)

(72) Inventor: **Michael Nelson,** Peachtree City, GA
(US)

(73) Assignee: **Home Depot Product Authority, LLC,**
Atlanta, GA (US)

(**) Term: **15 Years**

(21) Appl. No.: **29/553,156**

(22) Filed: **Jan. 28, 2016**

D471,661 S * 3/2003 Reisbord D26/119
D486,599 S * 2/2004 Bayat D26/63
D505,220 S * 5/2005 Stekelenburg
D519,238 S * 4/2006 Leen D26/119
D558,369 S * 12/2007 O'Hern D26/42
D583,988 S * 12/2008 Sandell D26/138
D590,693 S * 4/2009 Bertani
D596,774 S * 7/2009 Vines D26/51
D604,573 S * 11/2009 Boies
D611,632 S * 3/2010 Diehl D26/50
D625,872 S * 10/2010 Leen D26/63
D630,487 S * 1/2011 Davis
D657,483 S * 4/2012 Leen
D657,652 S * 4/2012 Lin
D679,845 S * 4/2013 Huang D26/37
D703,851 S * 4/2014 Gebhard D26/44
D736,442 S * 8/2015 Kovacik D26/37

(Continued)

Related U.S. Application Data

(62) Division of application No. 29/440,607, filed on Dec. 21, 2012, now Pat. No. Des. 748,448.

(51) **LOC (11) Cl.** **26-02**

(52) **U.S. Cl.**
USPC **D26/37; D26/113**

(58) **Field of Classification Search**
USPC D26/37, 38, 40, 42, 44, 46, 51, 61, 63,
D26/119

CPC F21L 2003/00; F21L 4/00; F21L 4/005;
F21L 4/02; F21L 4/025; F21L 4/027;
F21L 4/04; F21L 4/08; F21L 2005/00;
F21L 7/00; F21L 11/00; F21L 13/00;
F21L 13/04; F21L 13/08; F21L 14/02;
F21L 17/00; F21L 19/00
See application file for complete search history.

(56) **References Cited**

U.S. PATENT DOCUMENTS

D392,061 S 3/1998 Lo
D403,455 S * 12/1998 Duennes D26/119
D427,863 S 7/2000 Kurz
D449,502 S 10/2001 Fraser et al.
6,450,660 B1 9/2002 Lee

OTHER PUBLICATIONS

U.S. Appl. No. 29/553,151, filed Jan. 2016, Nelson.

Primary Examiner — Lakiya Rogers

Assistant Examiner — Carissa C Fitts

(74) *Attorney, Agent, or Firm* — Greenberg Traurig, LLP

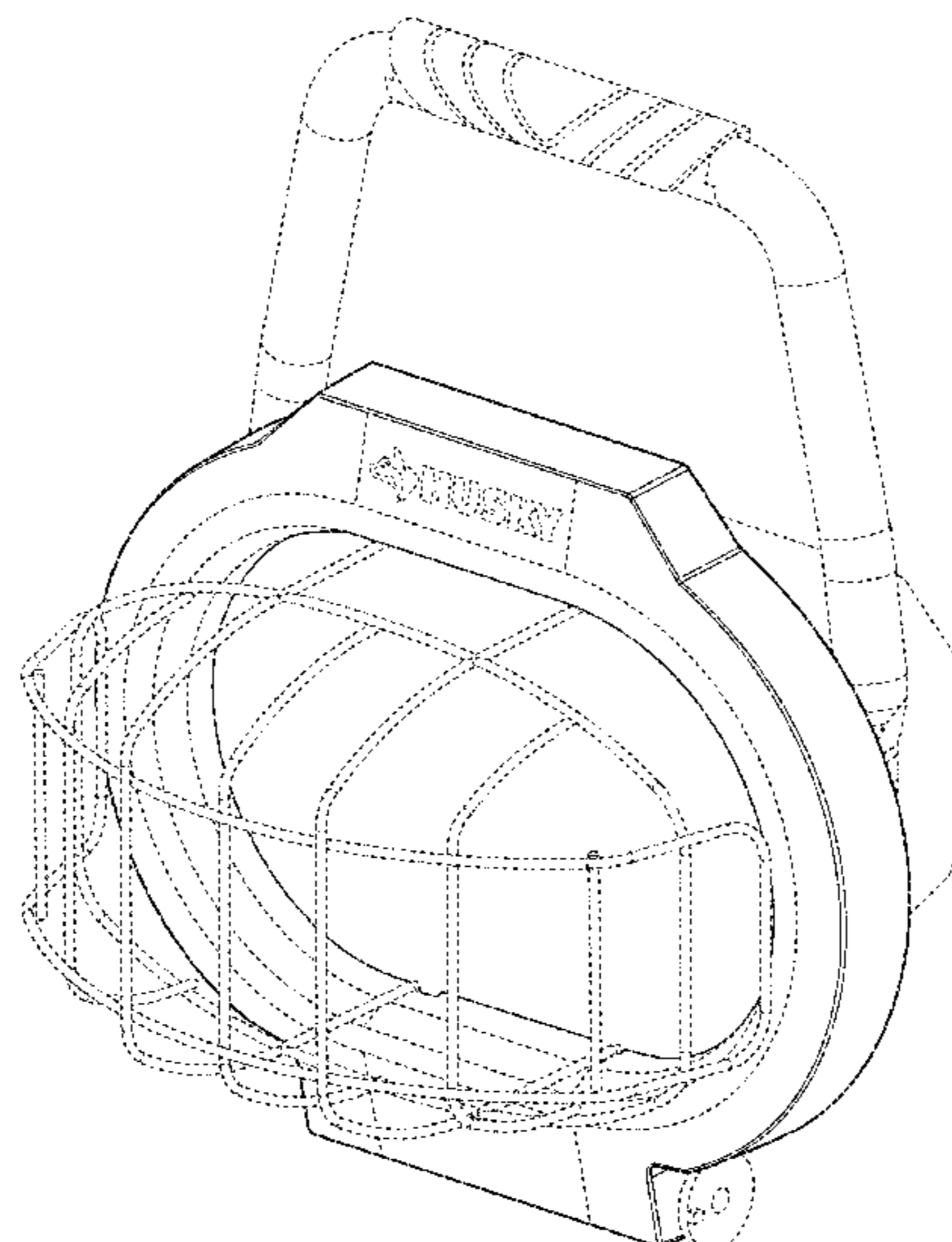
(57) **CLAIM**

The ornamental design for a bezel for a work light component, as shown and described.

DESCRIPTION

FIG. 1 is a perspective view of my design;
FIG. 2 is another perspective view thereof;
FIG. 3 is a front view thereof;
FIG. 4 is a left side view thereof, the right side view being a mirror image thereof;
FIG. 5 is a top view thereof; and,
FIG. 6 is a bottom view thereof.
The broken lines show unclaimed portions of the article and form no part of the claimed design.

1 Claim, 6 Drawing Sheets



(56)

References Cited

U.S. PATENT DOCUMENTS

D742,058 S	*	10/2015	Chen	D26/109
D748,448 S	*	2/2016	Nelson	D26/113
D779,097 S	*	2/2017	Xu	D26/63
D780,969 S	*	3/2017	Zhu	D26/63

* cited by examiner

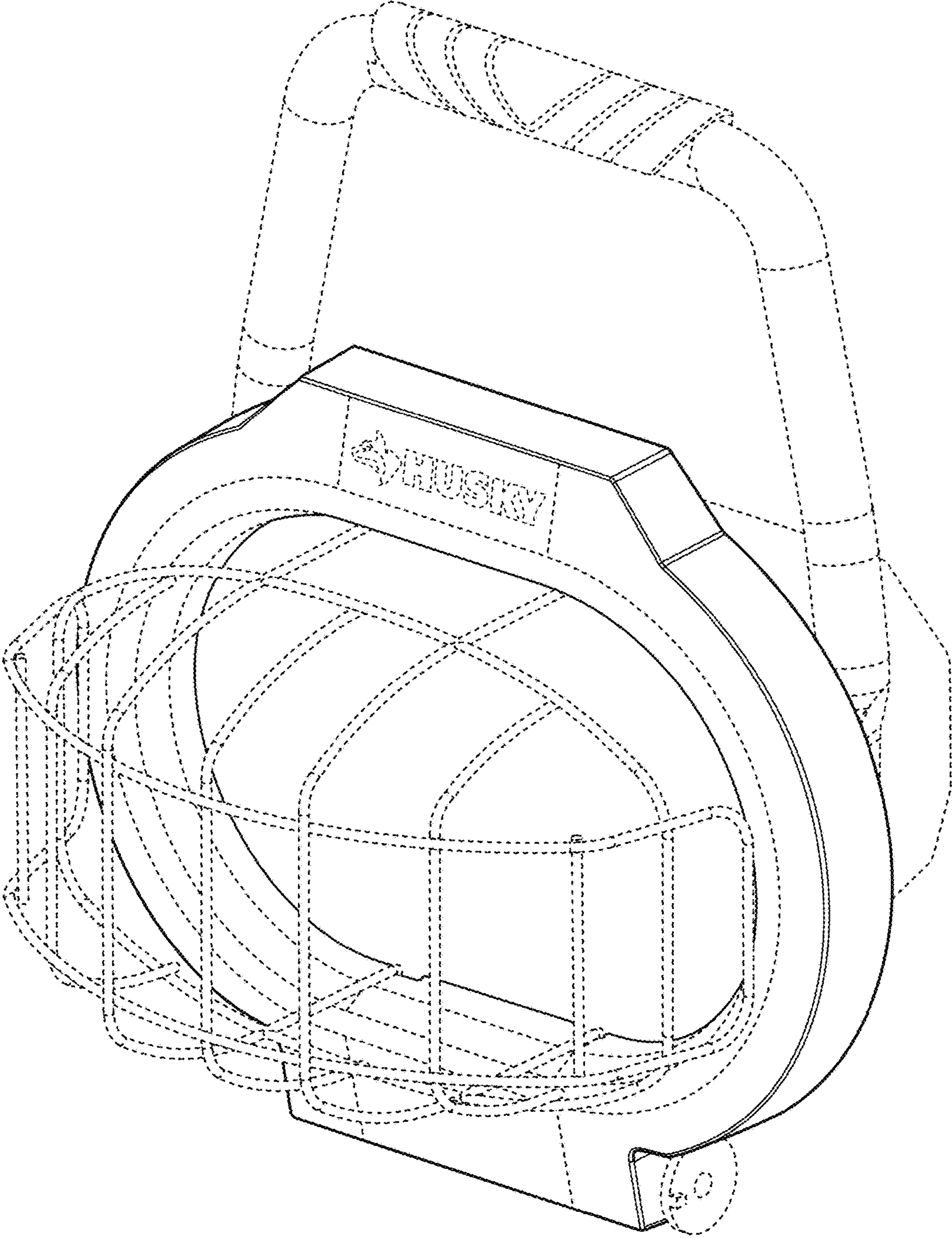


FIG. 1

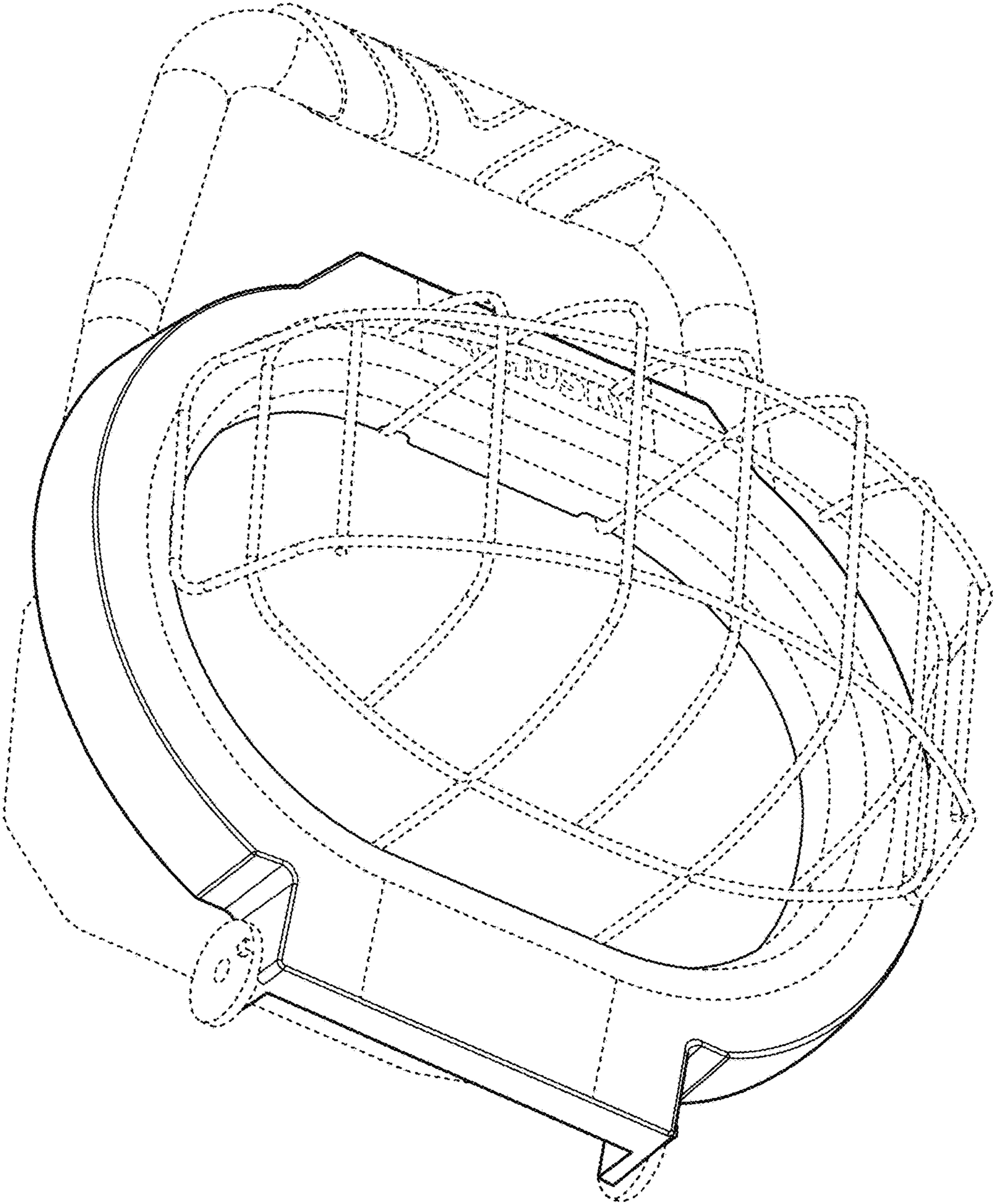


FIG. 2

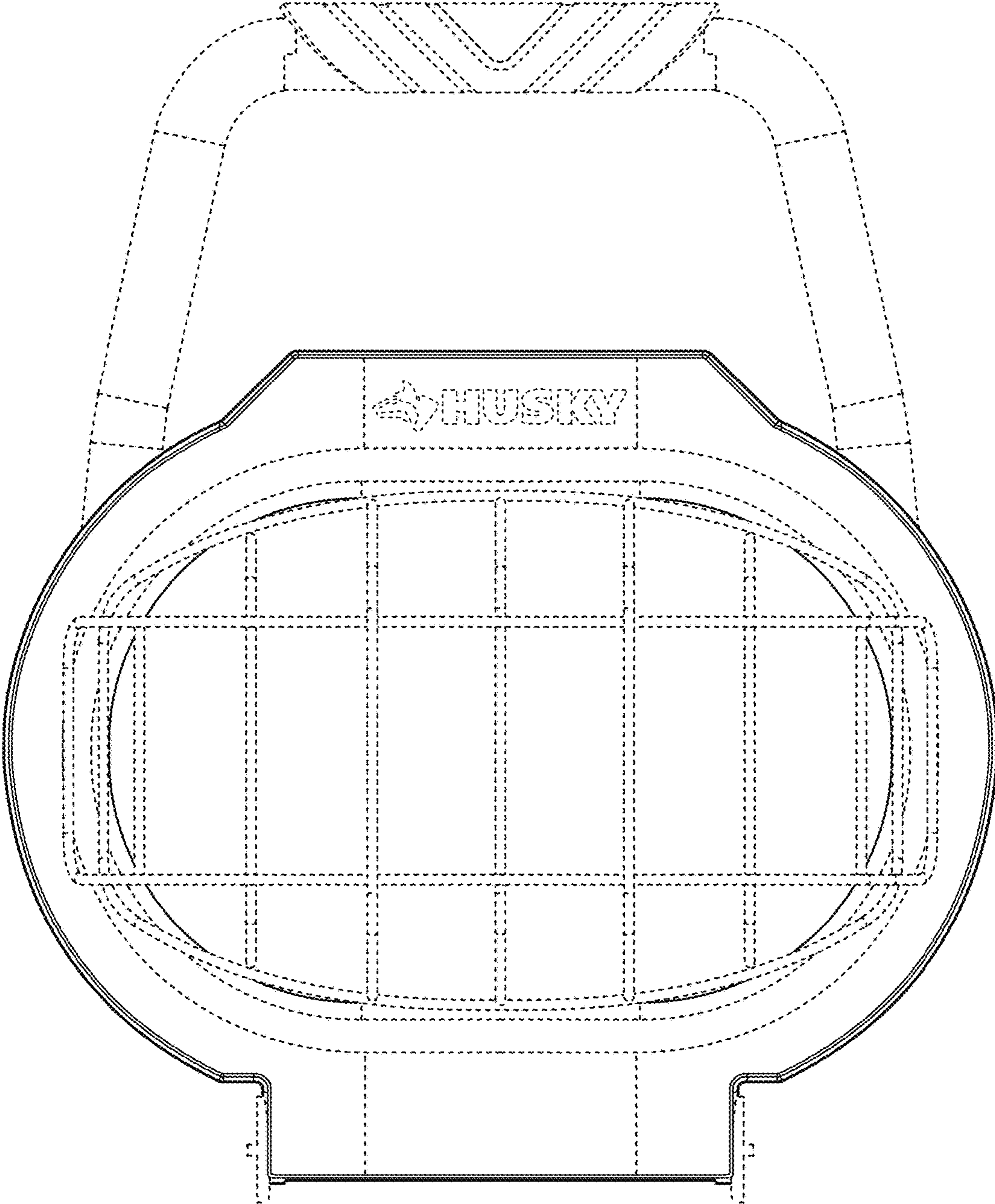


FIG. 3

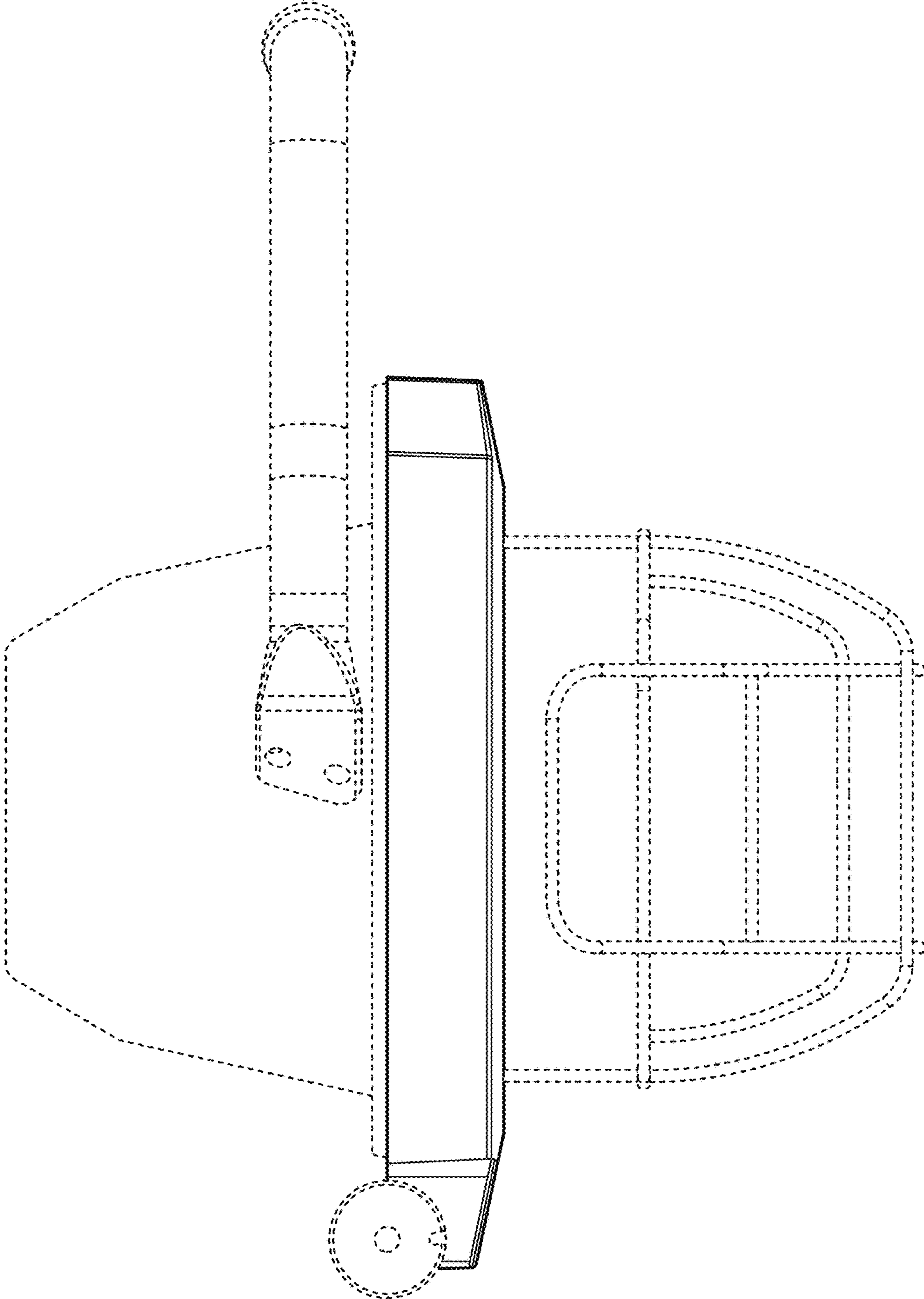


FIG. 4

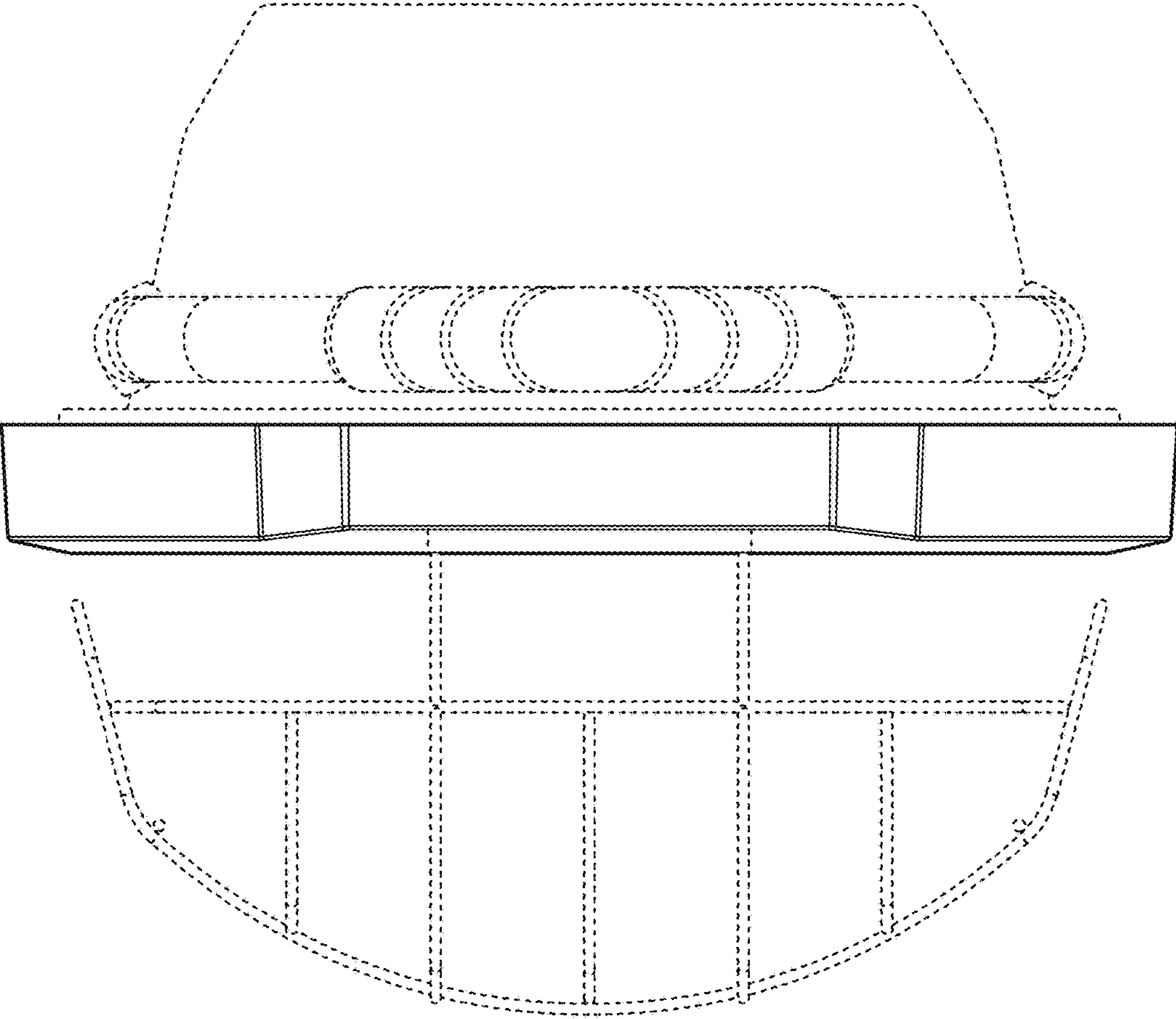


FIG. 5

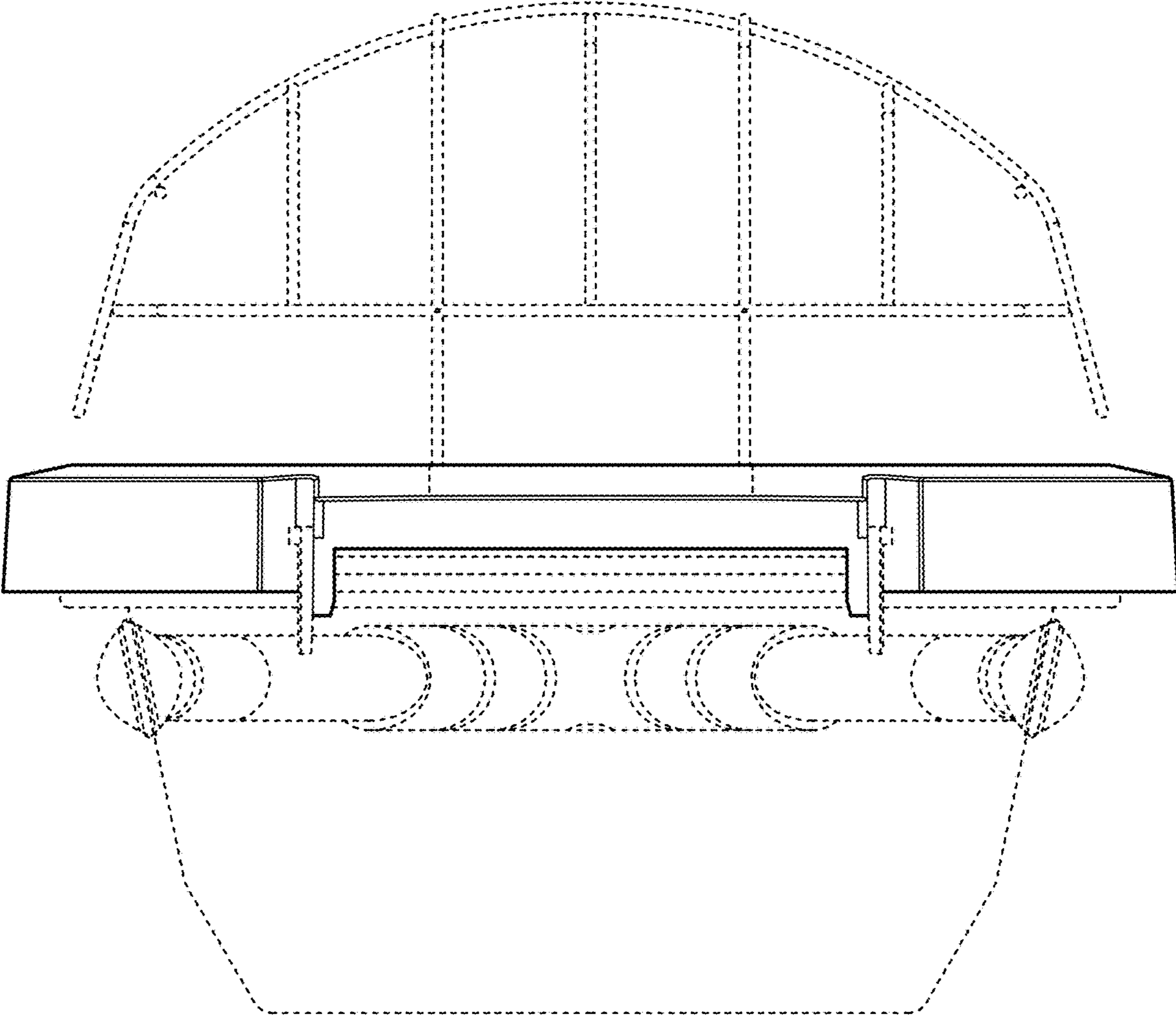


FIG. 6