



US00D808553S

(12) **United States Design Patent**
Shengjin et al.

(10) **Patent No.:** **US D808,553 S**
(45) **Date of Patent:** **** Jan. 23, 2018**

- (54) **LED HEADLIGHT**
- (71) Applicant: **LUMILEDS HOLDING B.V.**,
Amsterdam (NL)
- (72) Inventors: **Chen Shengjin**, Amsterdam (NL); **Pan Huiling**, Amsterdam (NL); **Kang Chun Heng**, Amsterdam (NL); **Zhang Xiao Bo**, Amsterdam (NL); **Liu Shi Chun**, Amsterdam (NL)
- (73) Assignee: **Lumileds Holding B.V.**, Schiphol (NL)
- (**) Term: **15 Years**
- (21) Appl. No.: **35/500,990**
- (22) Filed: **Nov. 4, 2015**
- (80) **Hague Agreement Data**
Int. Filing Date: **Nov. 4, 2015**
Int. Reg. No.: **DM/090553**
Int. Reg. Date: **Nov. 4, 2015**
Int. Reg. Pub. Date: **May 20, 2016**

2015/0055364 A1* 2/2015 Kosugi G02B 6/0096
362/551
2015/0308646 A1* 10/2015 Chen F21S 48/1104
362/545

OTHER PUBLICATIONS

VXMotor 1pc Philips Lumileds, Amazon [online], date first available Jul. 6, 2016, [retrieved on May 8, 2017]. Retrieved from the Internet <URL: https://www.amazon.com/VXMOTOR-PHILIPS-LUMILEDS-FANLESS-Headlights/dp/B01I28WNUQ/ref=sr_1_fkmr1_2?ie=UTF8&qid=1494278366&sr=8-2-fkmr1&keywords=LUMILEDS+Philips+LED+H4+Headlight>.*
Lumileds Philips LED H4 Headlight, eBay [online], no published date available, [retrieved on May 8, 2017]. Retrieved from the Internet <URL: http://www.ebay.com/itm/LUMILEDS-Philips-LED-H4-Headlight-X-treme-Ultinon-High-Low-Beam-Super-Bright-/291766148935?_trksid=p2385738.m2548.l4275>.*

* cited by examiner

Primary Examiner — Sheryl Lane
Assistant Examiner — Nicole Shiflet

(74) *Attorney, Agent, or Firm* — Baker & McKenzie LLP

- (30) **Foreign Application Priority Data**
May 5, 2015 (EM) 002694554-0001
- (51) **LOC (11) Cl.** **26-06**
- (52) **U.S. Cl.**
USPC **D26/28**
- (58) **Field of Classification Search**
USPC D7/391; D26/28, 34, 35, 36, 139, 29, 30
CPC .. F21S 48/115; F21S 48/1154; F21S 48/1159;
F21S 48/215
See application file for complete search history.

(57) **CLAIM**

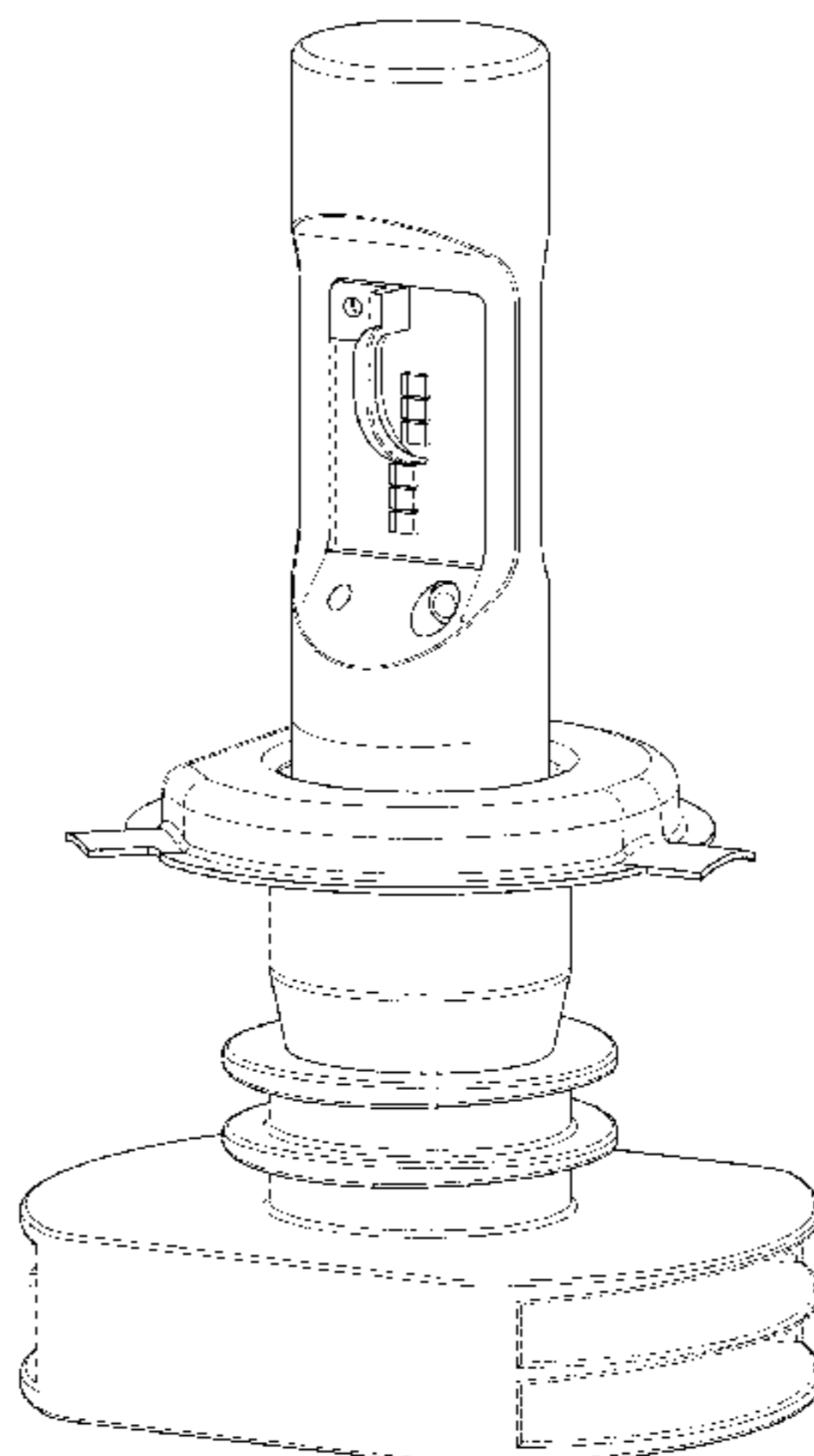
The ornamental design for an LED headlight, as shown and described.

DESCRIPTION

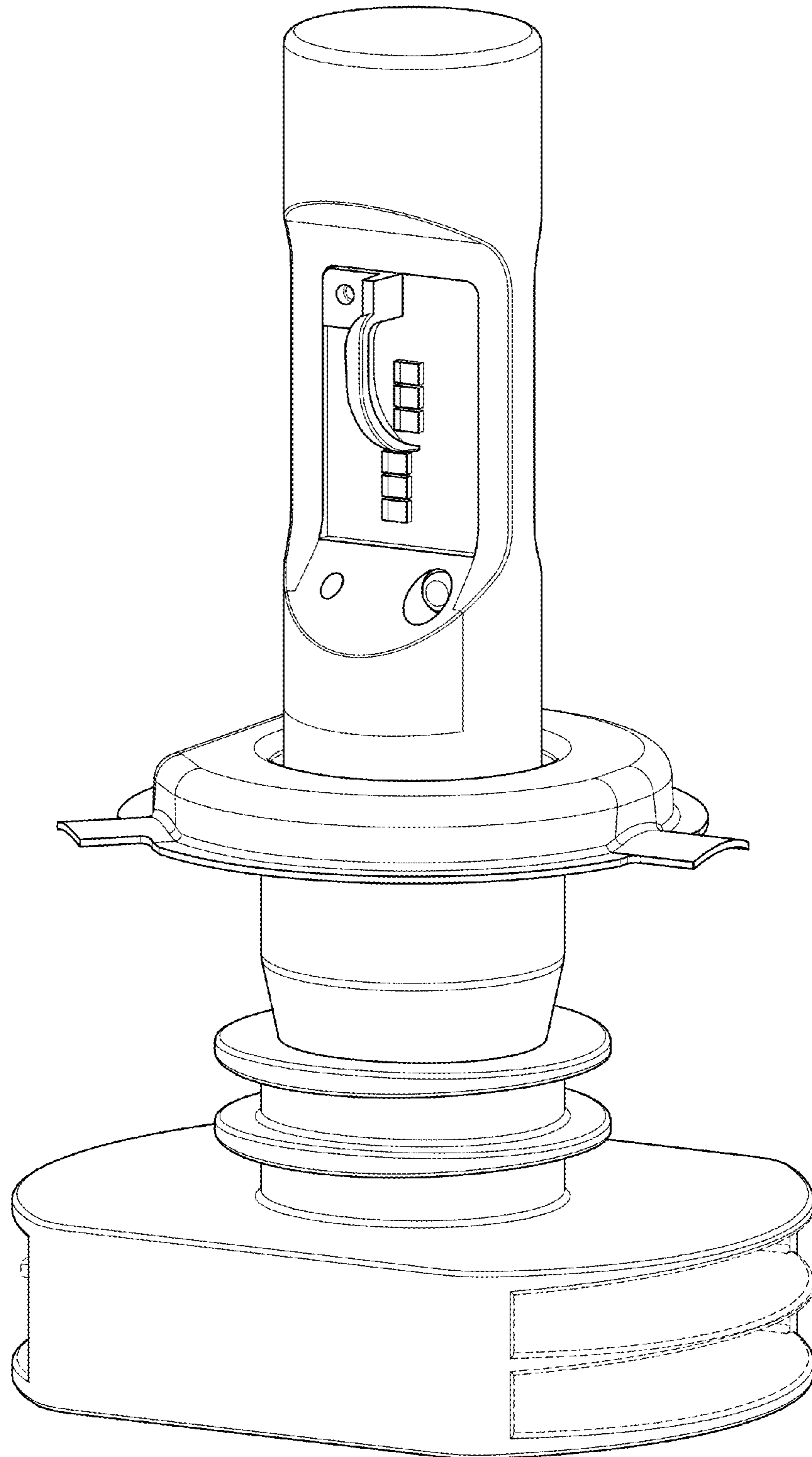
1. LED headlight
1.1 is a perspective view of an LED headlight in accordance with our new design;
1.2 is a front elevational view thereof;
1.3 is a rear elevational view thereof;
1.4 is a right side elevational view thereof;
1.5 is a left side elevational view thereof;
1.6 is a top plan view thereof; and
1.7 is a bottom plan view thereof.
The broken lines showing portions of the article form no part of the claimed design.

- (56) **References Cited**
U.S. PATENT DOCUMENTS
D720,483 S * 12/2014 Saddig D26/28
D740,984 S * 10/2015 Chen D26/28
D769,487 S * 10/2016 Ma D26/28
D769,490 S * 10/2016 Ma D26/28
D777,961 S * 1/2017 Wu D26/28
2014/0328079 A1* 11/2014 Itagaki F21V 29/02
362/547

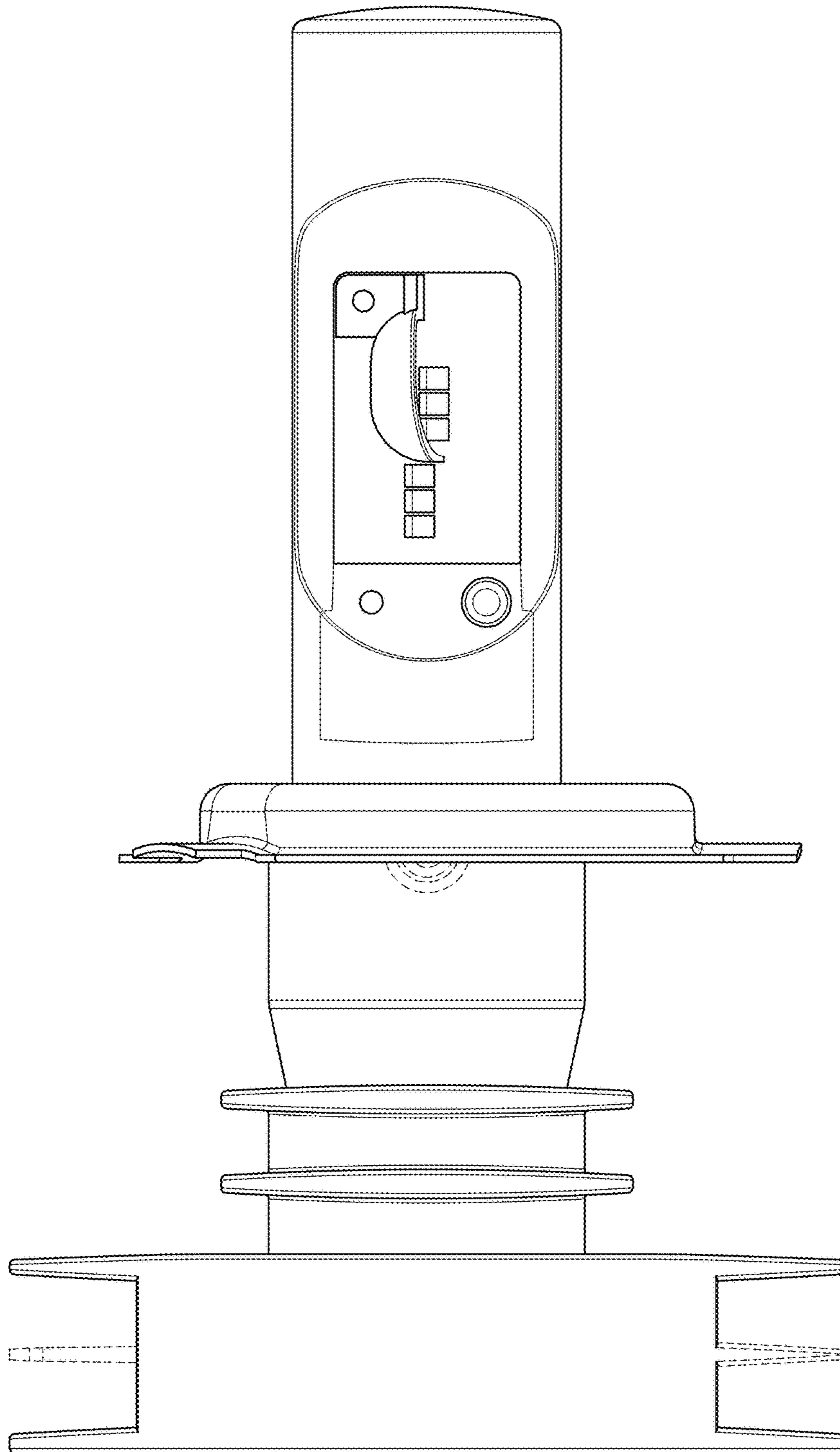
1 Claim, 7 Drawing Sheets



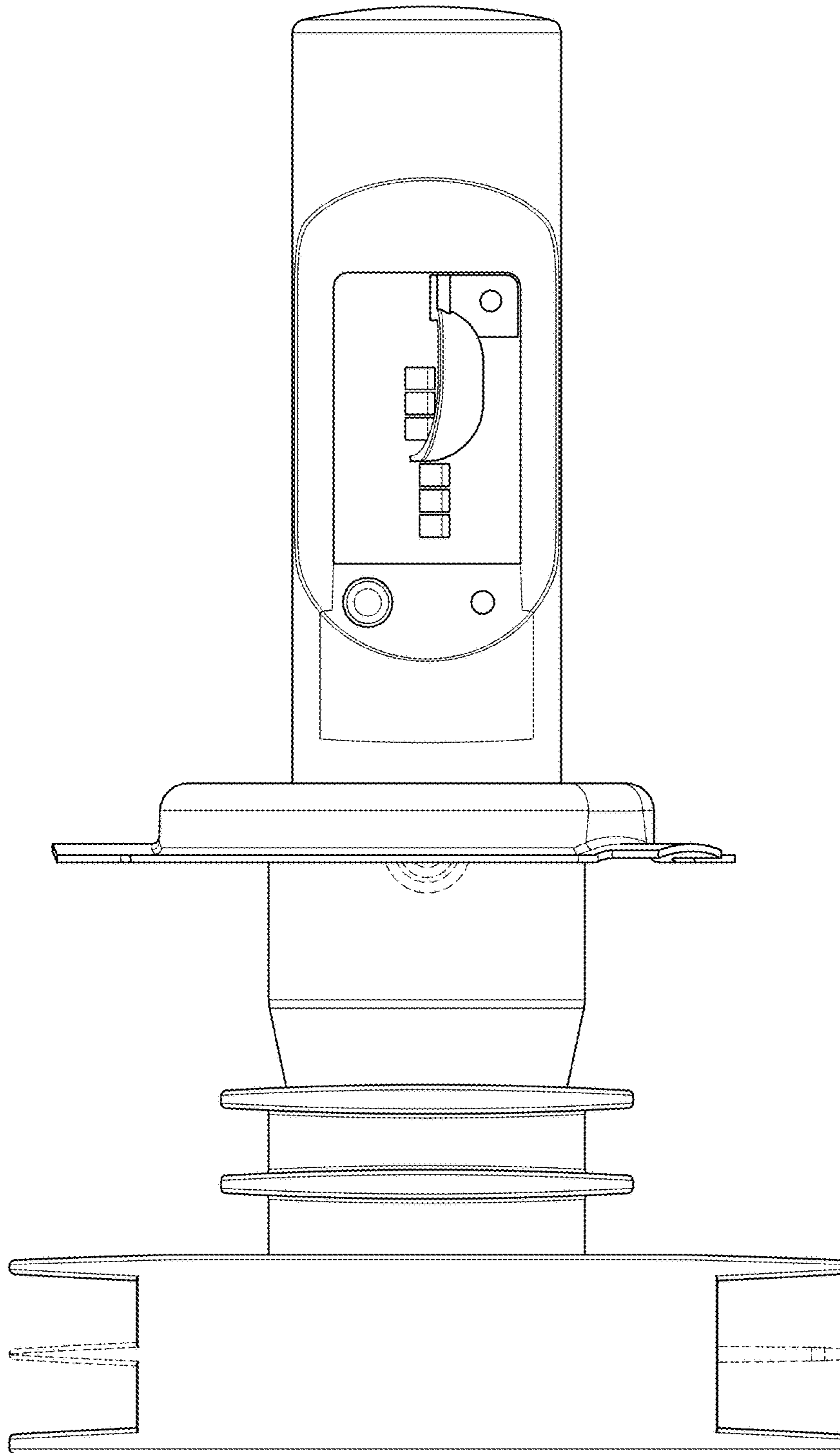
1.1



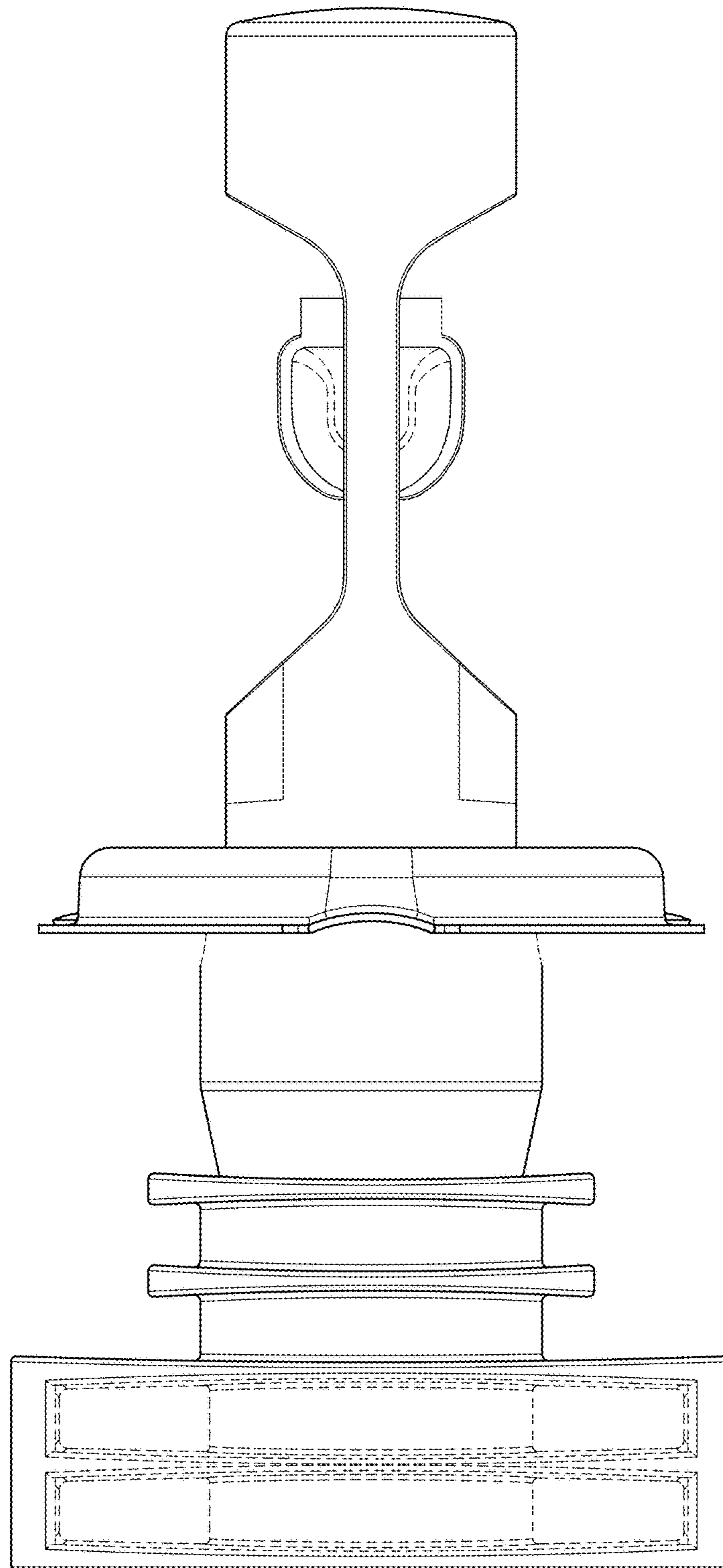
1.2



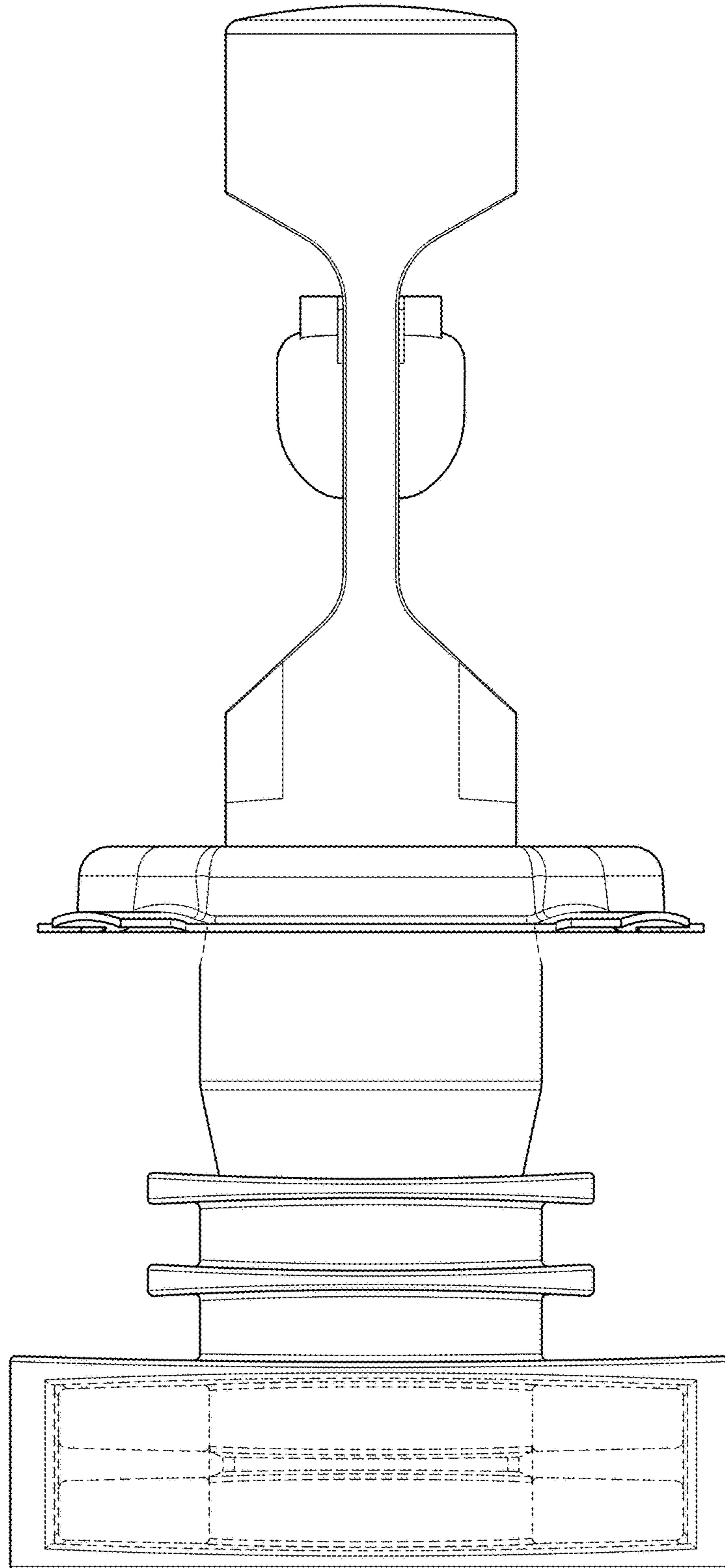
1.3



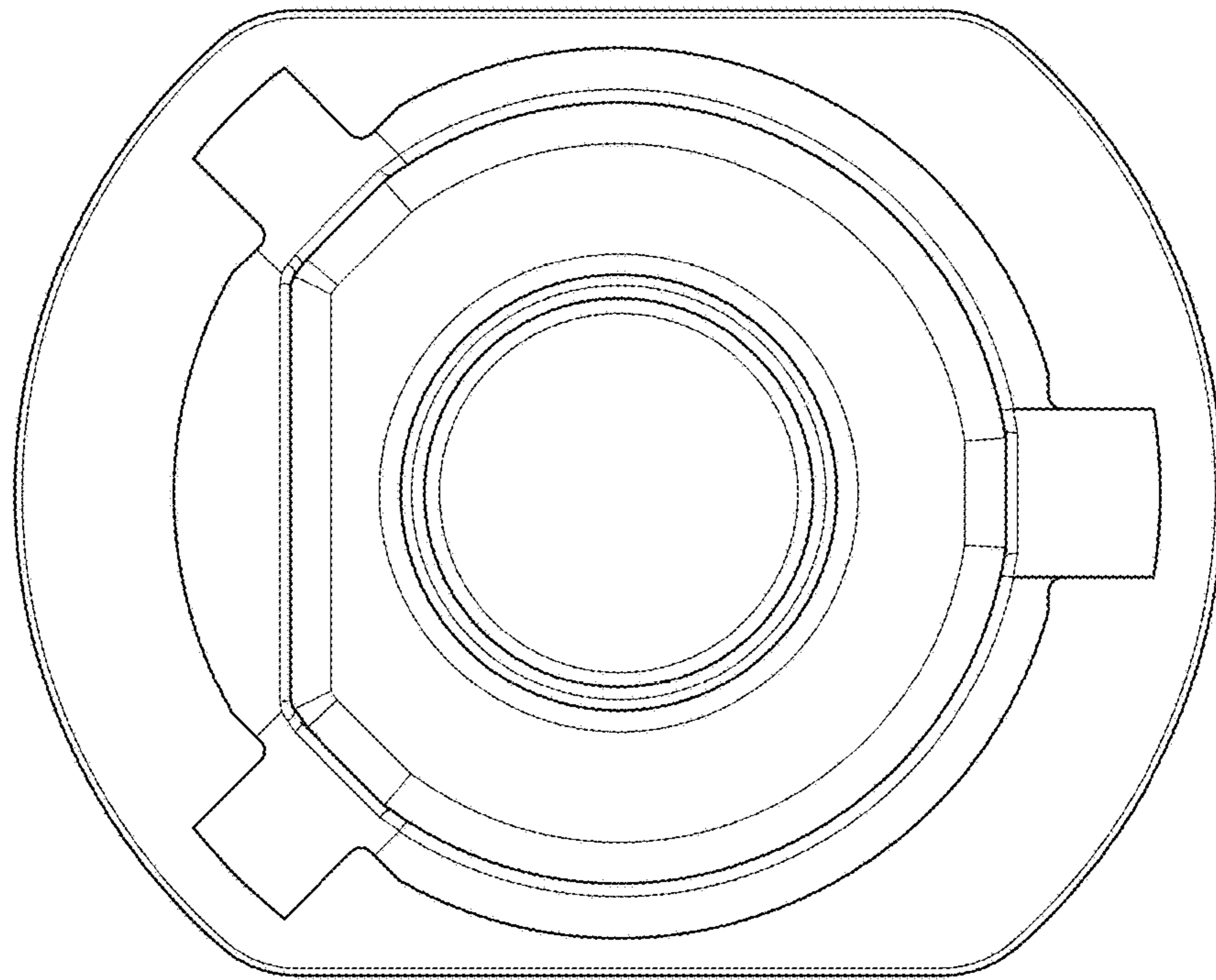
1.4



1.5



1.6



1.7

