



US00D808552S

(12) **United States Design Patent**
Minamiyama et al.

(10) **Patent No.:** **US D808,552 S**
(45) **Date of Patent:** **** Jan. 23, 2018**

(54) **HEADLAMP FOR AN AUTOMOBILE**

FOREIGN PATENT DOCUMENTS

(71) Applicant: **Nissan Motor Co., Ltd.**, Yokohama,
Kanagawa (JP)

JP D1312002 S 10/2007
JP D1447495 S 7/2012

(Continued)

(72) Inventors: **Shin Minamiyama**, Kanagawa (JP);
Satoshi Tanaka, Kanagawa (JP)

Primary Examiner — Marcus Jackson

(74) *Attorney, Agent, or Firm* — Global IP Counselors,
LLP

(73) Assignee: **Nissan Motor Co., Ltd.**, Yokohama
(JP)

(57) **CLAIM**

The ornamental design for a headlamp for an automobile, as
shown and described.

(**) Term: **15 Years**

DESCRIPTION

(21) Appl. No.: **29/582,096**

(22) Filed: **Oct. 25, 2016**

(30) **Foreign Application Priority Data**

Apr. 26, 2016 (JP) 2016-009183

(51) **LOC (11) Cl.** **26-06**

(52) **U.S. Cl.**
USPC **D26/28**

(58) **Field of Classification Search**

USPC D26/28-36; 362/80-83, 267-269,
362/459-468, 475-478, 485-487

CPC F21S 48/00; F21S 48/10; F21S 48/115;
F21S 48/1233; F21S 48/1266; F21S
48/1388; F21S 48/2268; F21V 21/04

See application file for complete search history.

(56) **References Cited**

U.S. PATENT DOCUMENTS

D528,685 S * 9/2006 Yoshida D26/28
D544,114 S * 6/2007 Ohta D26/28
D560,291 S * 1/2008 Koyama D26/28
D561,357 S * 2/2008 Leclercq D26/28
D561,358 S * 2/2008 Tachibana D26/28

(Continued)

FIG. 1 is an outside elevational view of a headlamp for an
automobile in accordance with a first embodiment of our
new design;

FIG. 2 is an inside elevational view thereof;

FIG. 3 is a top plan view thereof;

FIG. 4 is a bottom plan view thereof;

FIG. 5 is a front side elevational view thereof;

FIG. 6 is a rear side elevational view thereof; and,

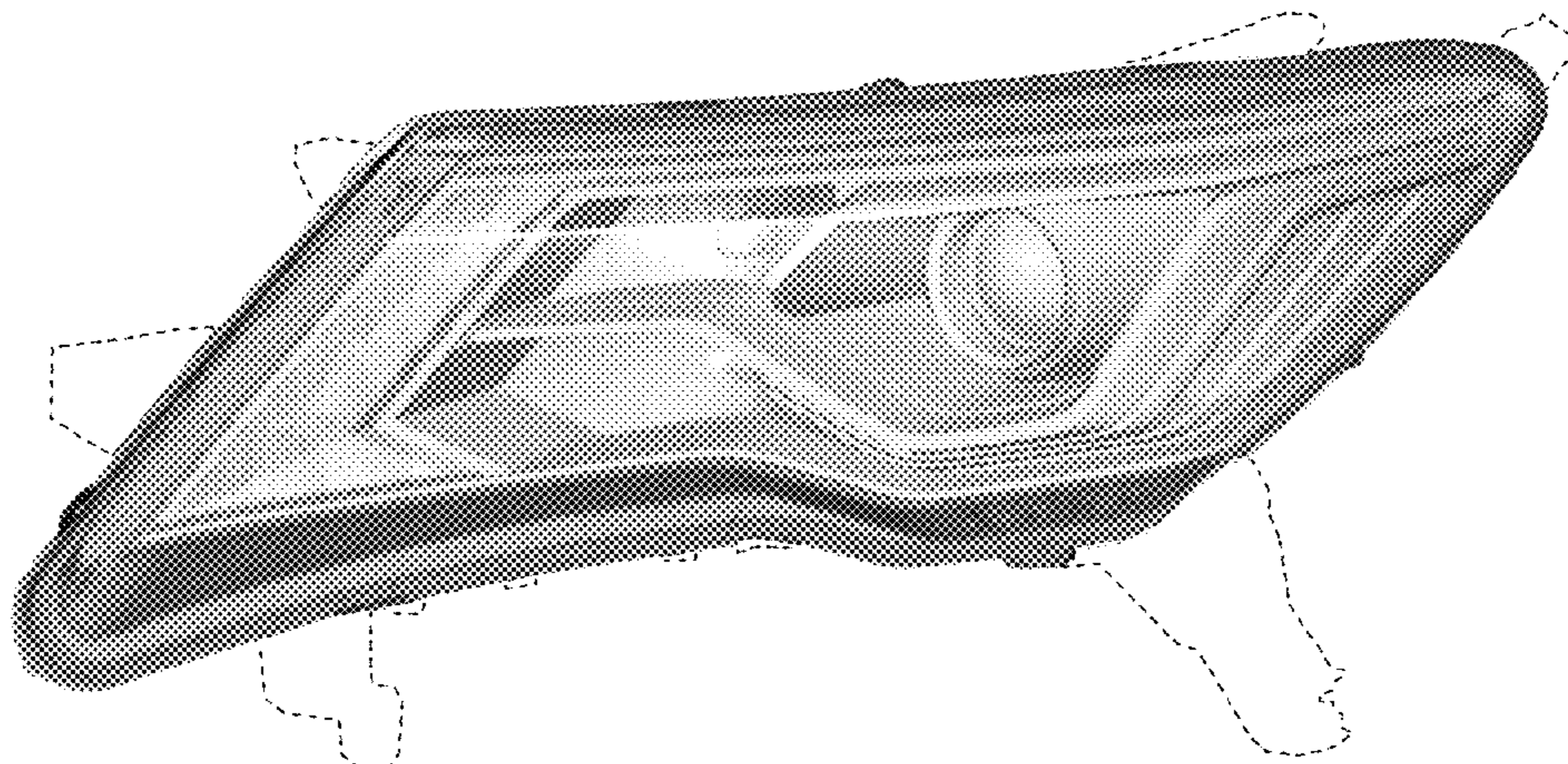
FIG. 7 is a front side perspective view thereof.

The headlamp is configured to be mounted to an automobile.
The mounting structure and support structure of the head-
lamp, shown in broken lines in FIGS. 1 to 7, form no part
of the claimed design since the mounting structure and
support structure are hidden when the headlamp is mounted
to the automobile.

In addition, the appearance of the rear side structures and
inside structures of the headlamp as shown in broken lines
in FIGS. 1 to 7 is for purpose of illustrating the boundaries
of the exterior surface of the outside of the headlamp, and
forms no part of the claimed design. The headlamp has a
front lens that is transparent such that features behind the
lens are at least partially visible as illustrated.

A second embodiment of our new design is identical to the
first embodiment. The second embodiment of our new
design includes the mirror image of the headlamp shown in
FIGS. 1 to 7.

1 Claim, 7 Drawing Sheets



(56)

References Cited

U.S. PATENT DOCUMENTS

D597,232 S	*	7/2009	Hanaoka	D26/28
D657,898 S		4/2012	Choi et al.	
D674,932 S		1/2013	Kawano et al.	
D675,354 S		1/2013	Sakai et al.	
D679,429 S		4/2013	Frenzel et al.	
D695,936 S		12/2013	Ishizuka et al.	
D707,866 S		6/2014	Yoshida et al.	
D708,375 S		7/2014	Endo	
D708,767 S		7/2014	Minaminsawa et al.	
D720,870 S		1/2015	Lim et al.	
D726,353 S	*	4/2015	Yagihashi	D26/28
D735,914 S		8/2015	Gotschke	
D745,726 S		12/2015	McMahan et al.	
D746,496 S		12/2015	Loeb	
D751,740 S		3/2016	Wolff et al.	
D752,785 S		3/2016	Horiuchi et al.	
D761,980 S		7/2016	Keskin et al.	

FOREIGN PATENT DOCUMENTS

JP	D1452256 S	10/2012
JP	D1452383 S	10/2012
JP	D1455119 S	11/2012
JP	D1445110 S	2/2013

JP	D1465870 S	4/2013
JP	D1473303 S	6/2013
JP	D1474630 S	7/2013
JP	D1498531 S	6/2014
JP	D1505368 S	8/2014
JP	D1479979 S	9/2014
JP	D1508112 S	9/2014
JP	D1508645 S	10/2014
JP	D1511245 S	11/2014
JP	D1511433 S	11/2014
JP	D1501252 S	6/2015
JP	D1526235 S	6/2015
JP	D1526533 S	6/2015
JP	D1530843 S	8/2015
JP	D1531002 S	8/2015
JP	D1532785 S	9/2015
JP	D1550042 S	5/2016
JP	D1550043 S	5/2016
JP	D1540800 S	6/2016
JP	D1541054 S	6/2016
JP	D1552160 S	6/2016
JP	D1555750 S	8/2016
JP	D1555919 S	8/2016
JP	D1565245 S	12/2016
JP	D1565246 S	12/2016
JP	D1571019 S	3/2017
JP	D1527910 S	6/2017

* cited by examiner

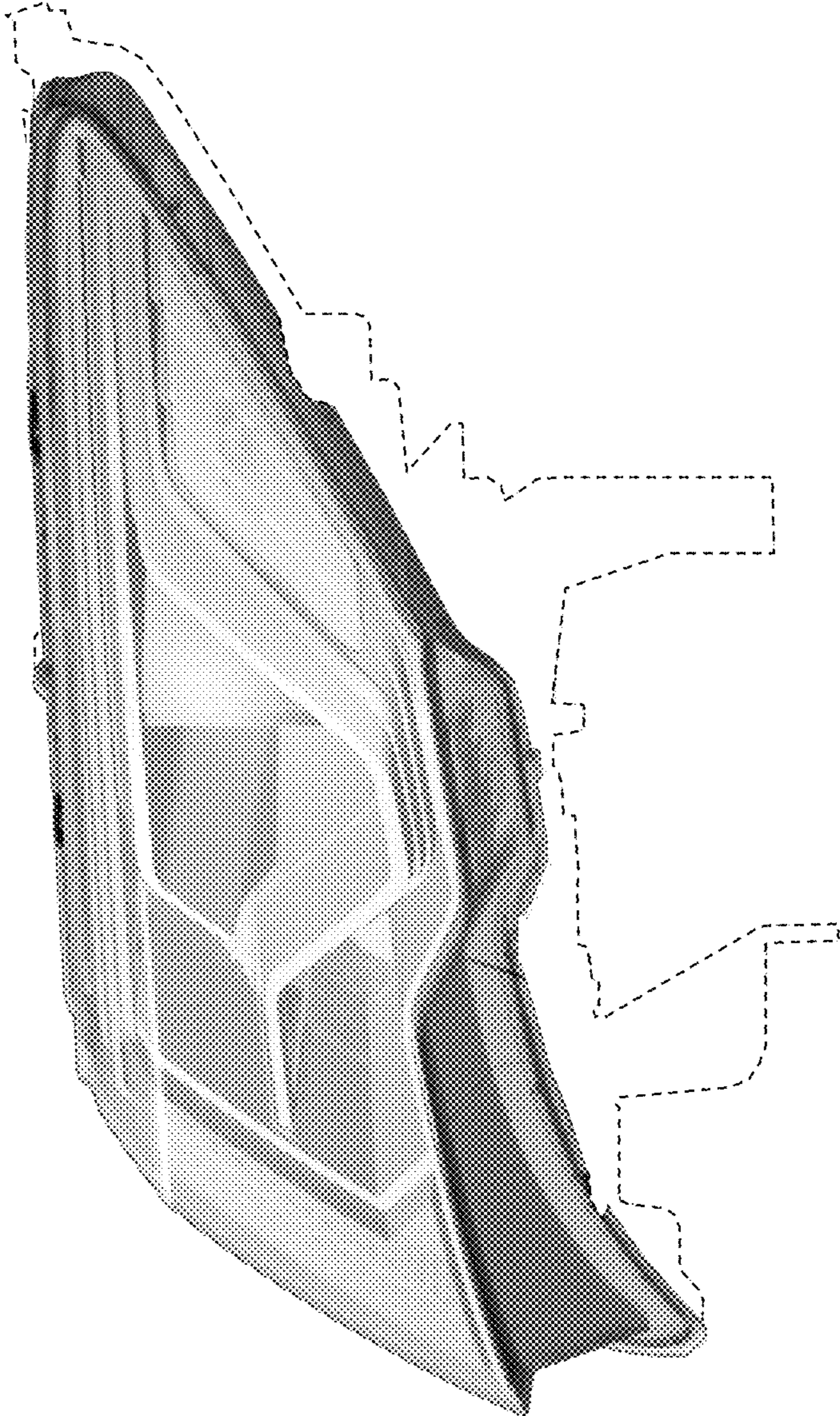


FIG. 1

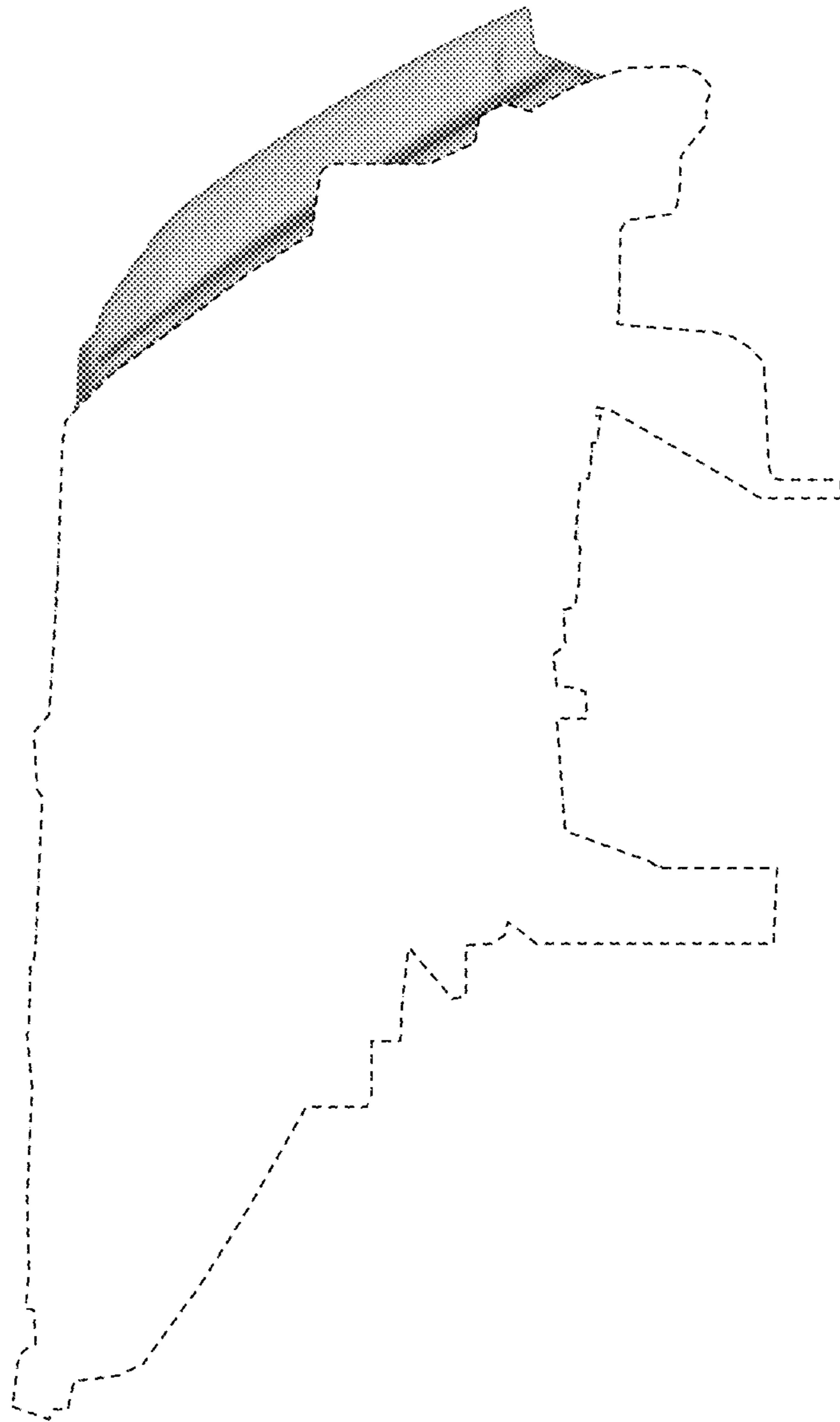


FIG. 2

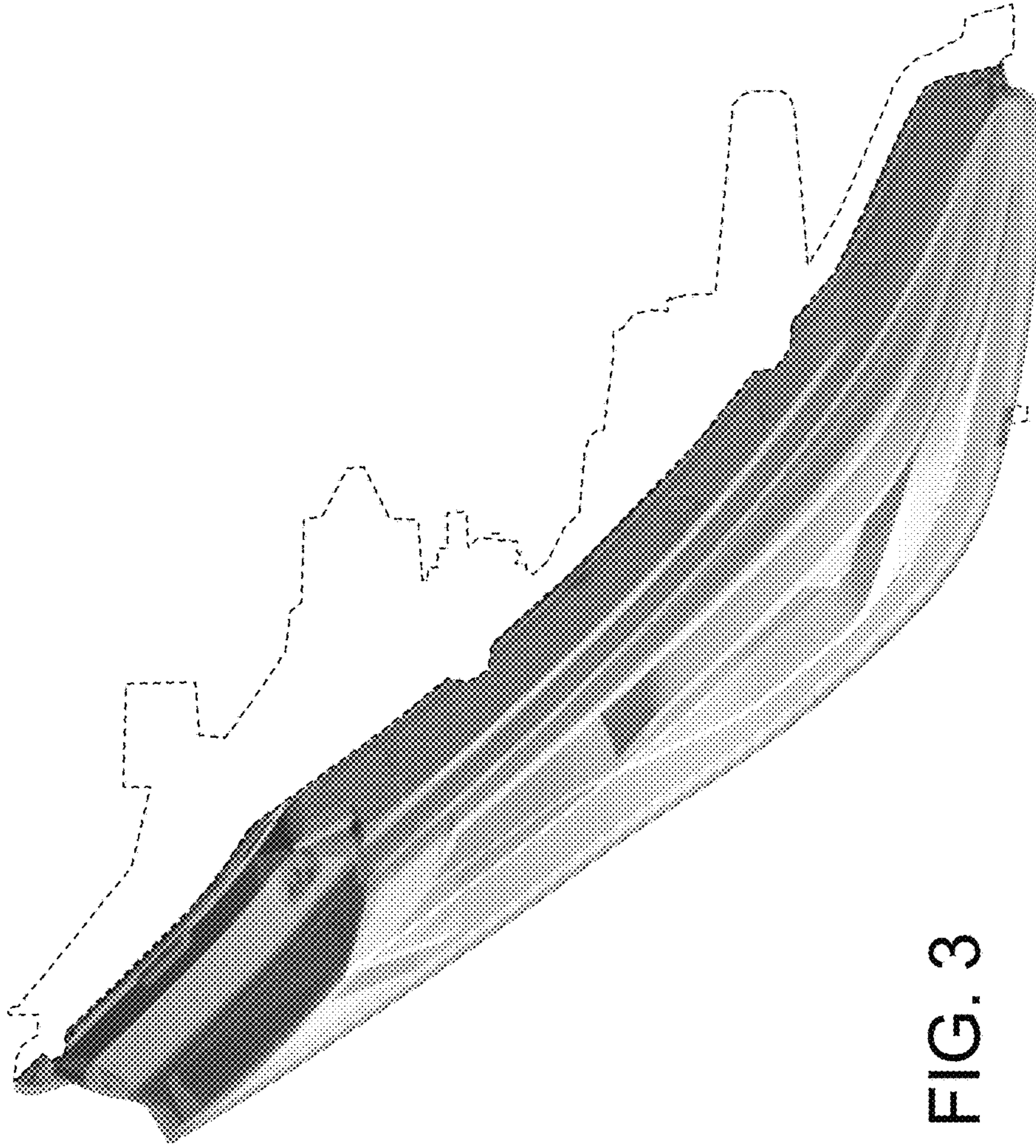


FIG. 3

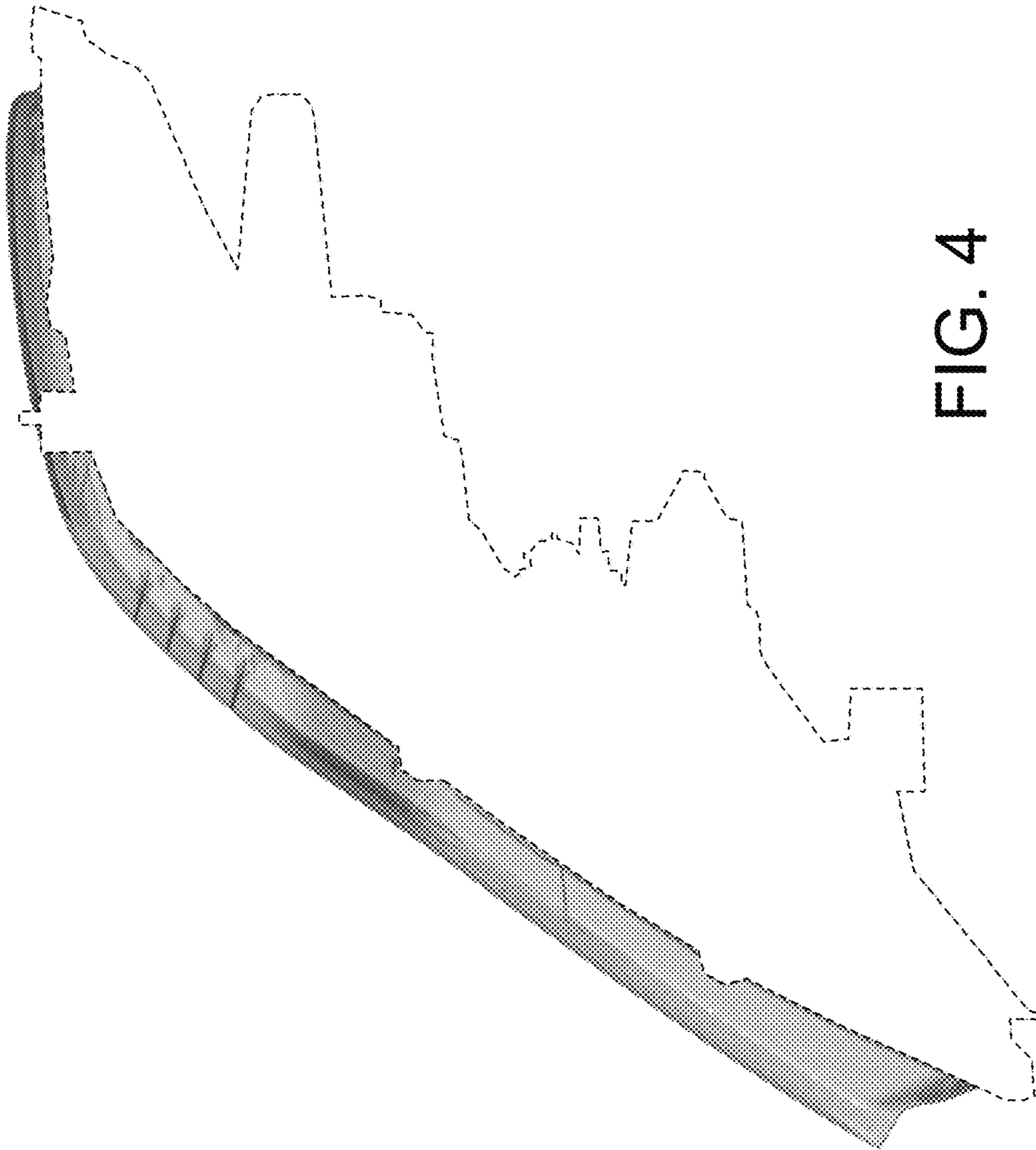


FIG. 4

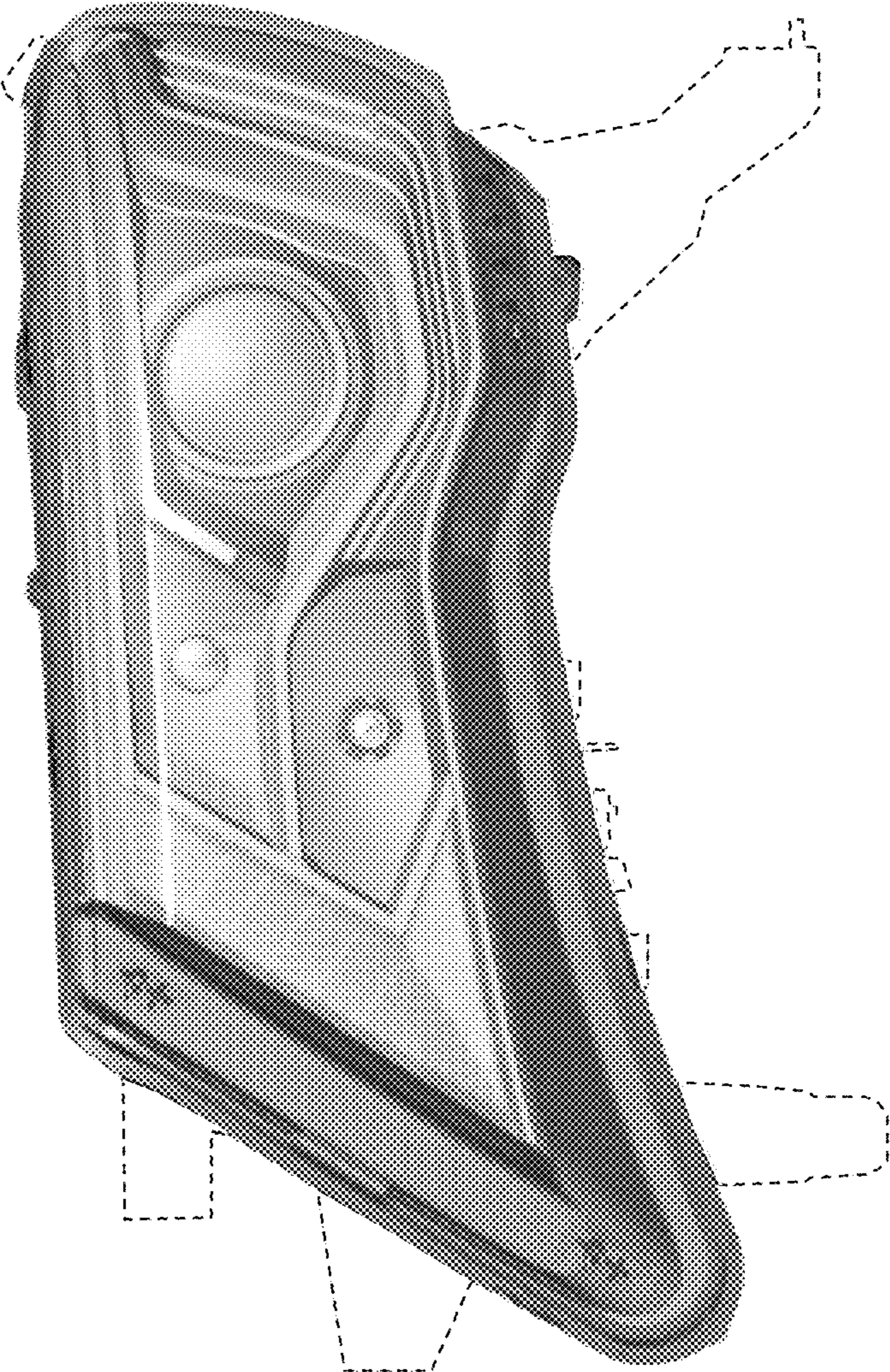


FIG. 5

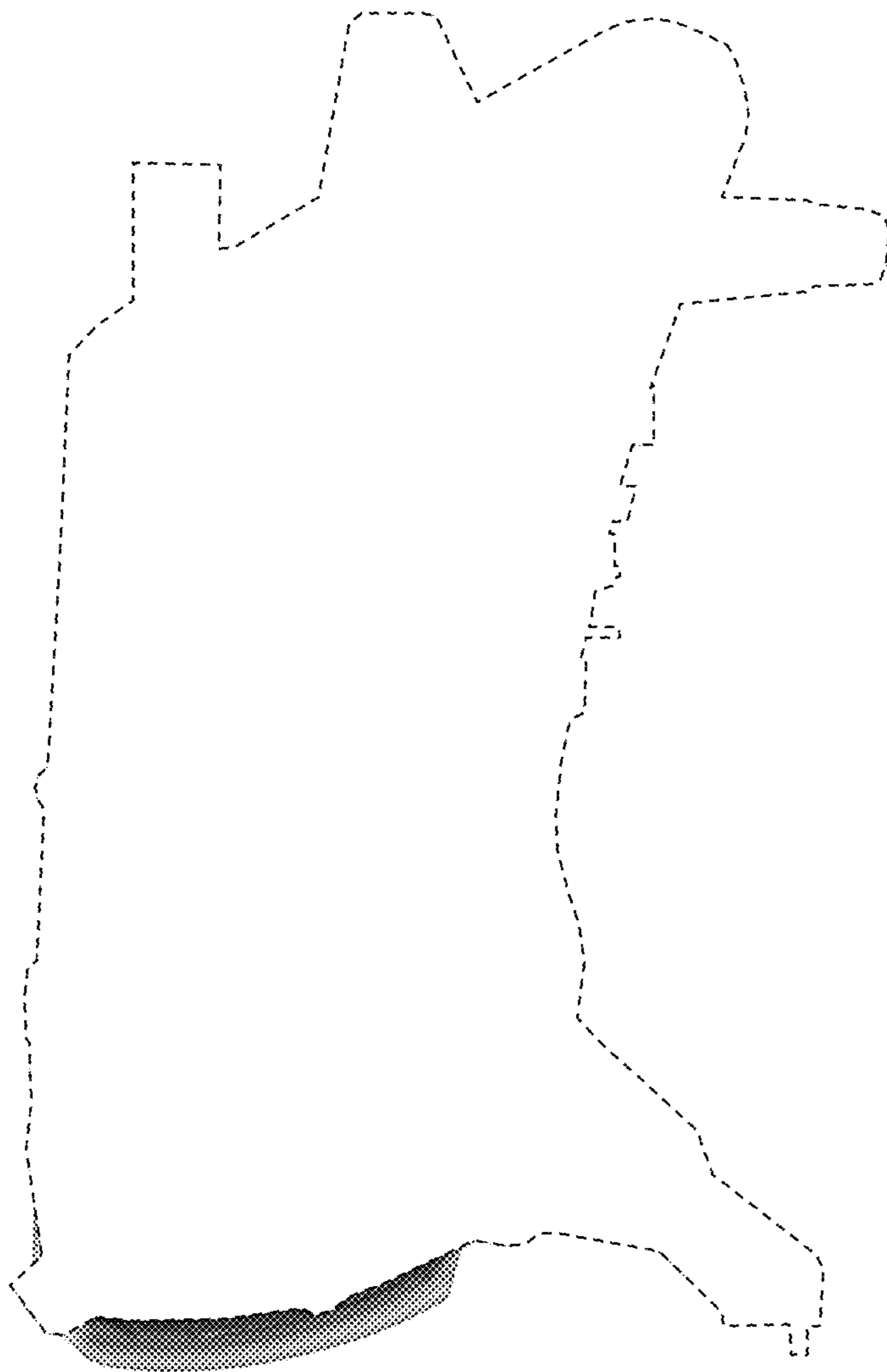


FIG. 6

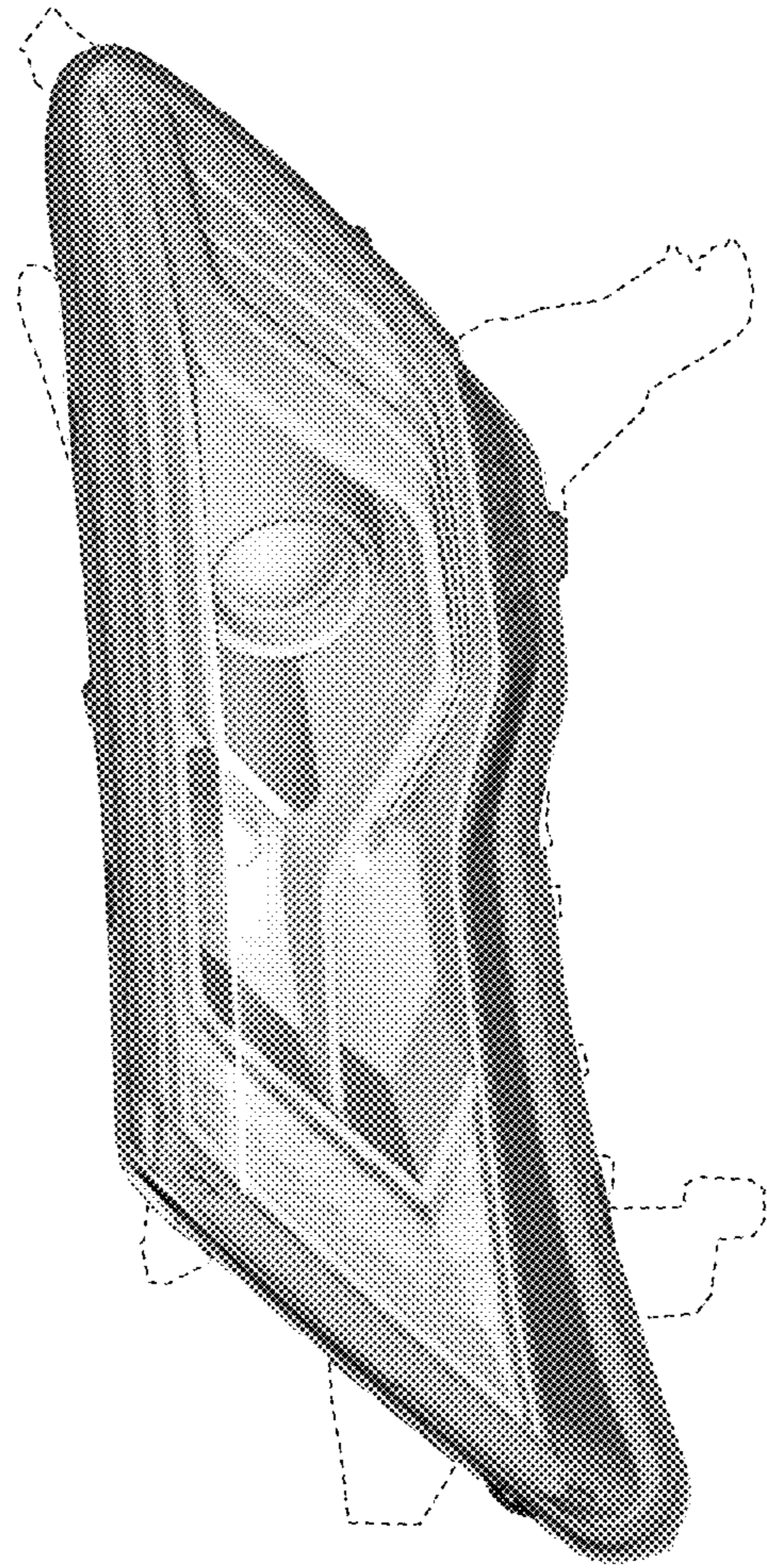


FIG. 7