



US00D808551S

(12) **United States Design Patent**
Chi

(10) **Patent No.:** **US D808,551 S**
(45) **Date of Patent:** **** Jan. 23, 2018**

(54) **LED HEADLIGHT SUGGESTING AN EYE OF A SKULL**

(71) Applicant: **Razer Auto, Inc.**, Upland, CA (US)

(72) Inventor: **Samuel Chi**, Upland, CA (US)

(73) Assignee: **Razer Auto, Inc.**, Upland, CA (US)

(**) Term: **15 Years**

(21) Appl. No.: **29/566,735**

(22) Filed: **Jun. 2, 2016**

(51) **LOC (11) Cl.** **26-07**

(52) **U.S. Cl.**
USPC **D26/28**

(58) **Field of Classification Search**
USPC D26/28-36; 362/459-468, 475-478,
362/485-487
CPC F21S 48/00; F21S 48/10; F21S 48/115;
F21S 48/225; F21S 48/1233; F21S
48/1266; F21S 48/1388; F21S 48/2268;
F21V 21/04
See application file for complete search history.

(56) **References Cited**

U.S. PATENT DOCUMENTS

D495,814 S	*	9/2004	James	D26/28
D600,838 S	*	9/2009	Kuboshima	D26/28
D607,128 S	*	12/2009	Wu	D26/28
D609,833 S	*	2/2010	Wu	D26/28
D708,373 S	*	7/2014	Kani	D26/28
D712,576 S	*	9/2014	Merovitz	D26/28
D712,577 S	*	9/2014	Merovitz	D26/28
D712,578 S	*	9/2014	Merovitz	D26/28
D728,138 S	*	4/2015	Christ	D26/28
D737,482 S	*	8/2015	Kuge	D26/28
D745,717 S		12/2015	Wu		
D745,723 S		12/2015	Yoshida		
D745,986 S		12/2015	Gorsten Schuenemann		

D746,495 S		12/2015	Gorsten Schuenemann	
D747,017 S		1/2016	Hanson	
D747,512 S		1/2016	Lai	
D747,516 S	*	1/2016	Yang D26/28
D747,517 S		1/2016	Lai	
D747,518 S		1/2016	Lai	
D747,519 S		1/2016	Kim	
D747,820 S		1/2016	Sato	
D750,815 S		3/2016	Platto	
D750,816 S		3/2016	Platto	
D750,817 S		3/2016	Lin	
D750,818 S		3/2016	Lin	
D750,819 S		3/2016	Schneider	
D751,737 S		3/2016	Lai	
D751,740 S		3/2016	Wolff	

(Continued)

Primary Examiner — Angela J Lee

(74) *Attorney, Agent, or Firm* — Eric Kelly

(57) **CLAIM**

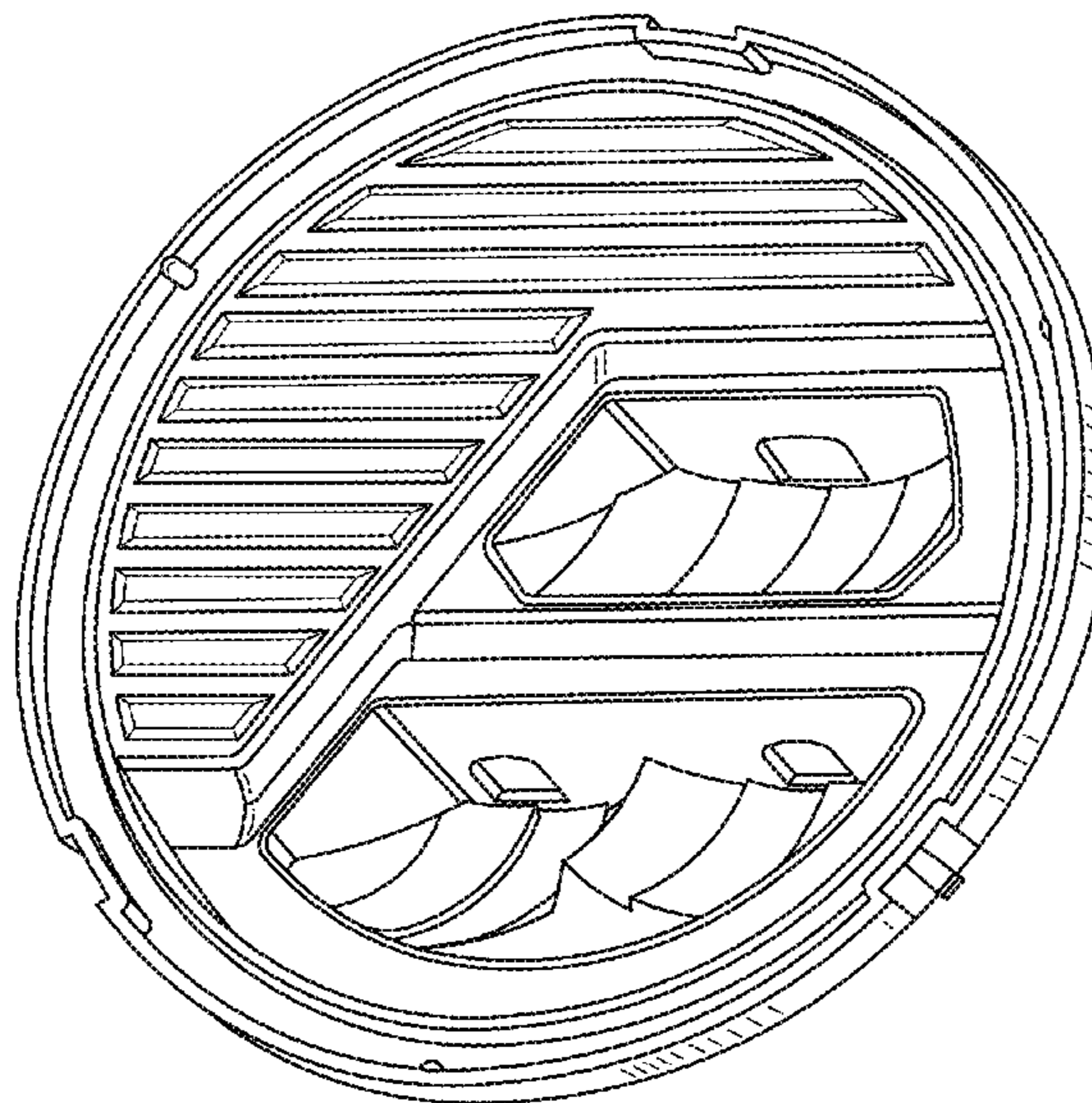
The ornamental design for LED headlight suggesting an eye of a skull, as shown and described.

DESCRIPTION

FIG. 1 illustrates a top perspective view of a new and ornamental LED headlight suggesting an eye of a skull, of a right headlight to a vehicle, according to one embodiment; FIG. 2 illustrates a top view thereof; FIG. 3 illustrates a bottom view thereof; FIG. 4 illustrates a front view thereof; FIG. 5 illustrates a back view thereof; FIG. 6 illustrates a right-side view thereof; FIG. 7 illustrates a left-side view thereof; FIG. 8 illustrates a bottom perspective view thereof; and, FIG. 9 illustrates a right perspective view thereof.

Each view of the LED headlight suggesting the eye of the skull as shown in the figures is that of a right headlight of a vehicle, wherein a left headlight is a mirror image of the right headlight and such mirror images are claimed.

1 Claim, 9 Drawing Sheets



(56)

References Cited

U.S. PATENT DOCUMENTS

D752,254 S	3/2016	Futschik	
D752,255 S	3/2016	Futschik	
D752,782 S	3/2016	Moessner	
D753,323 S	4/2016	George	
D754,375 S	4/2016	Vena	
D754,891 S *	4/2016	Leban	D26/28
D760,407 S *	6/2016	Yang	D26/28

* cited by examiner

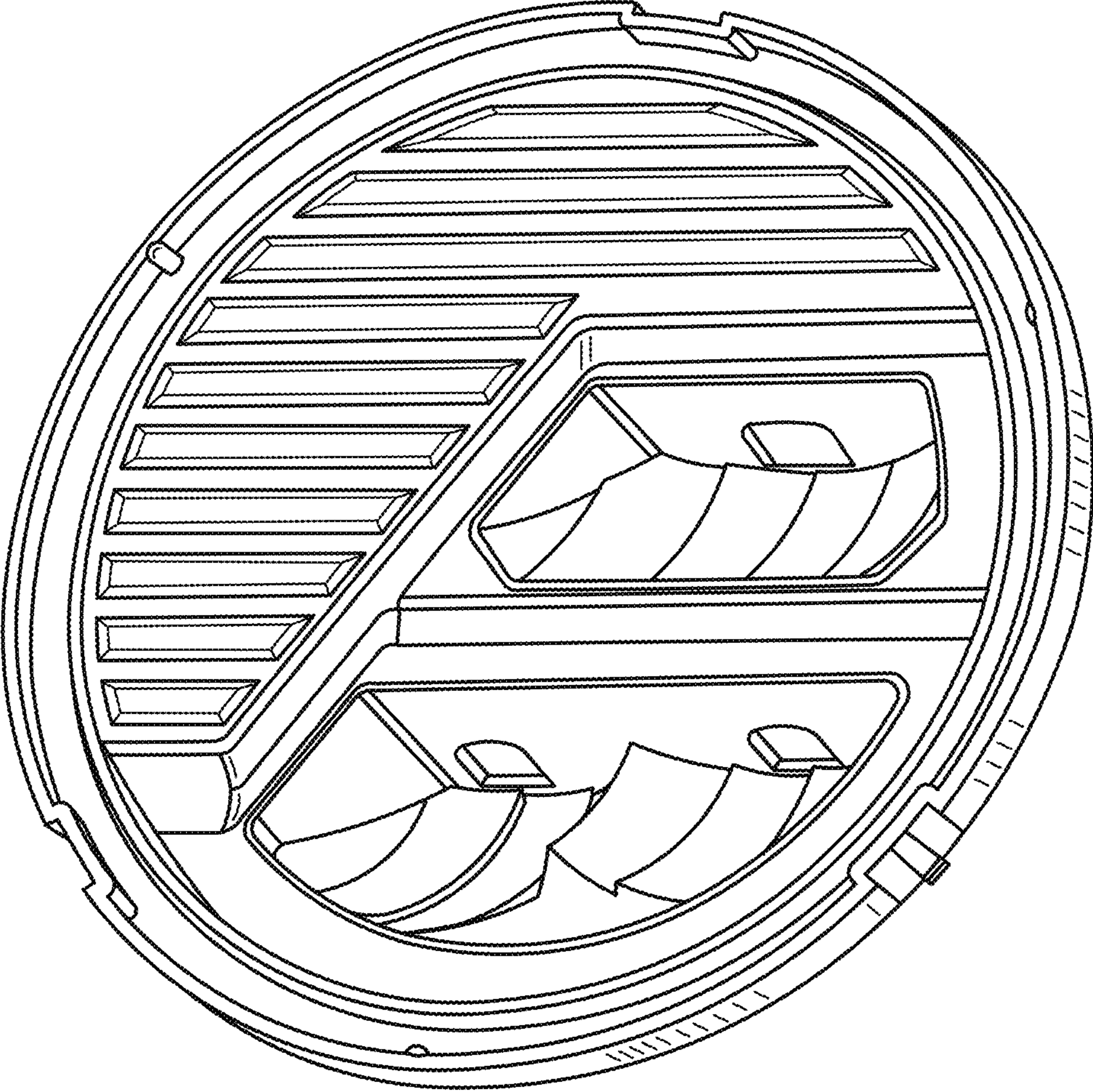


FIG. 1

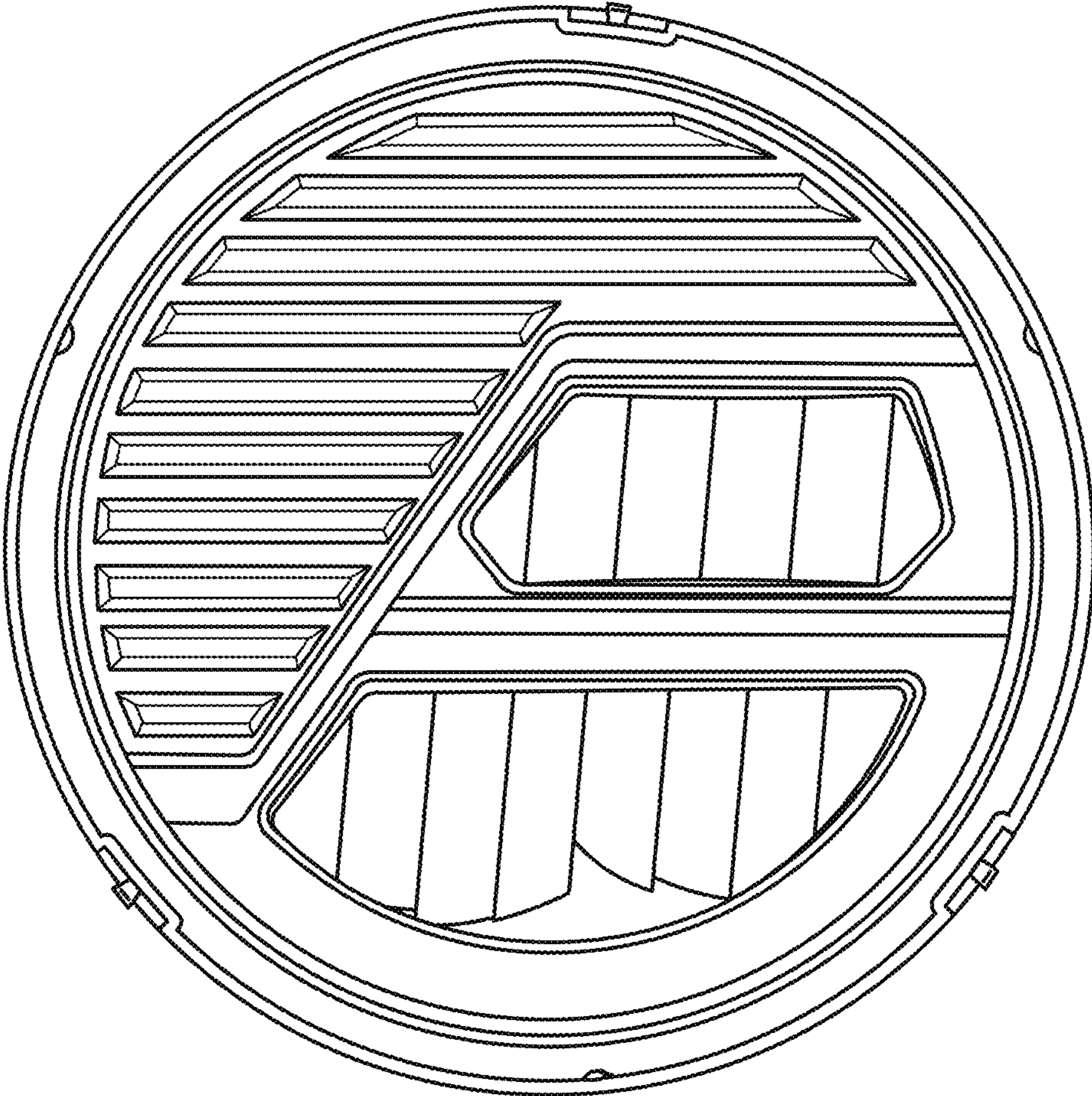


FIG. 2

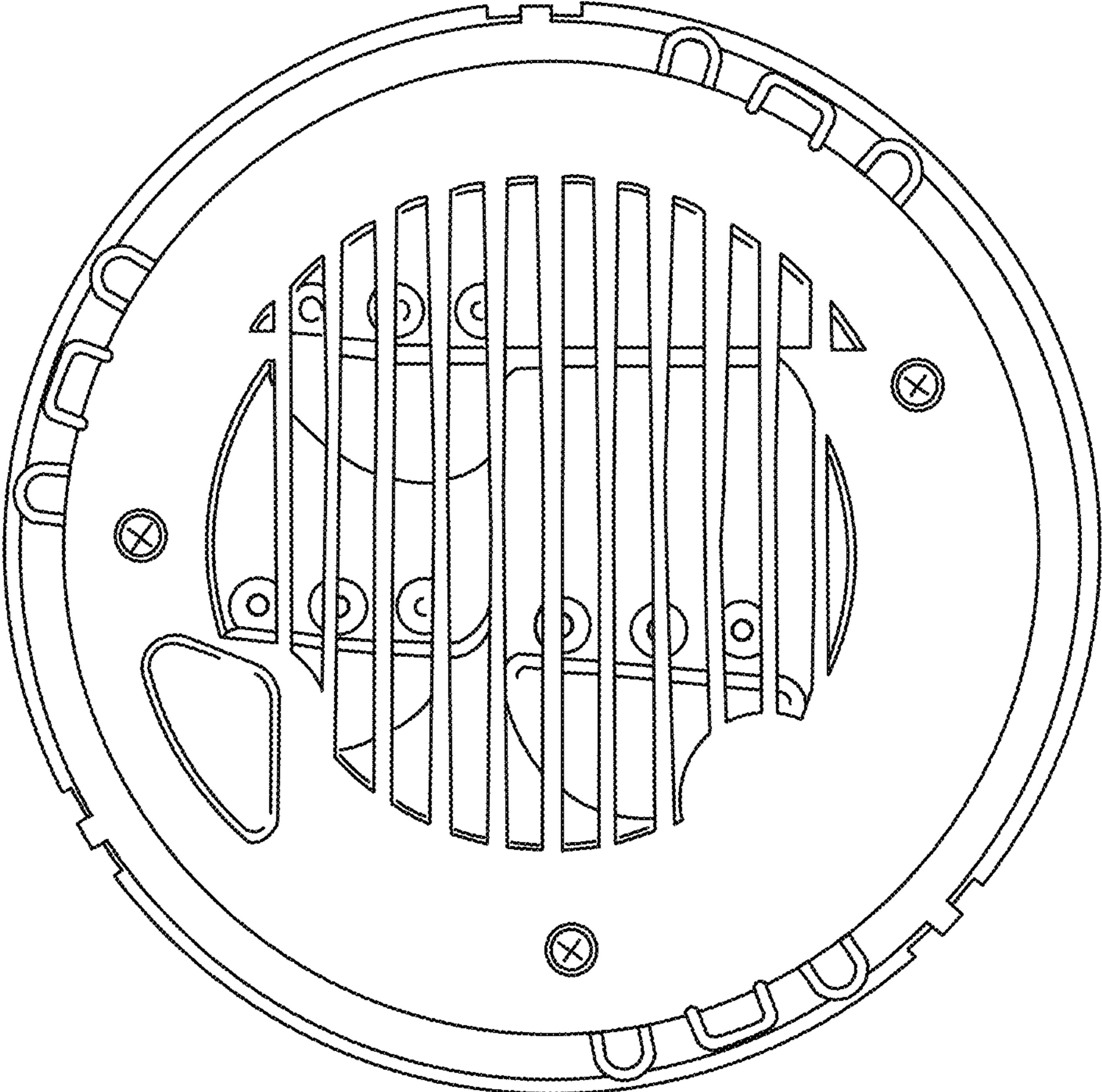


FIG. 3

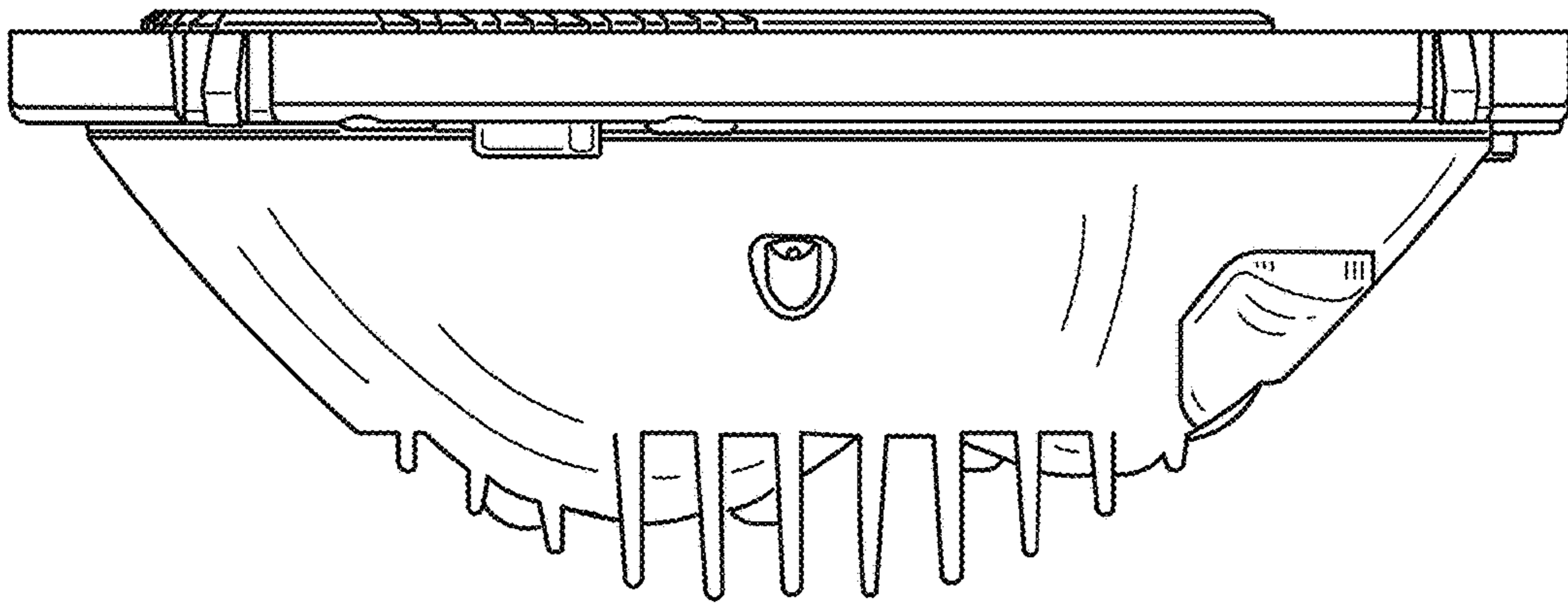


FIG. 4

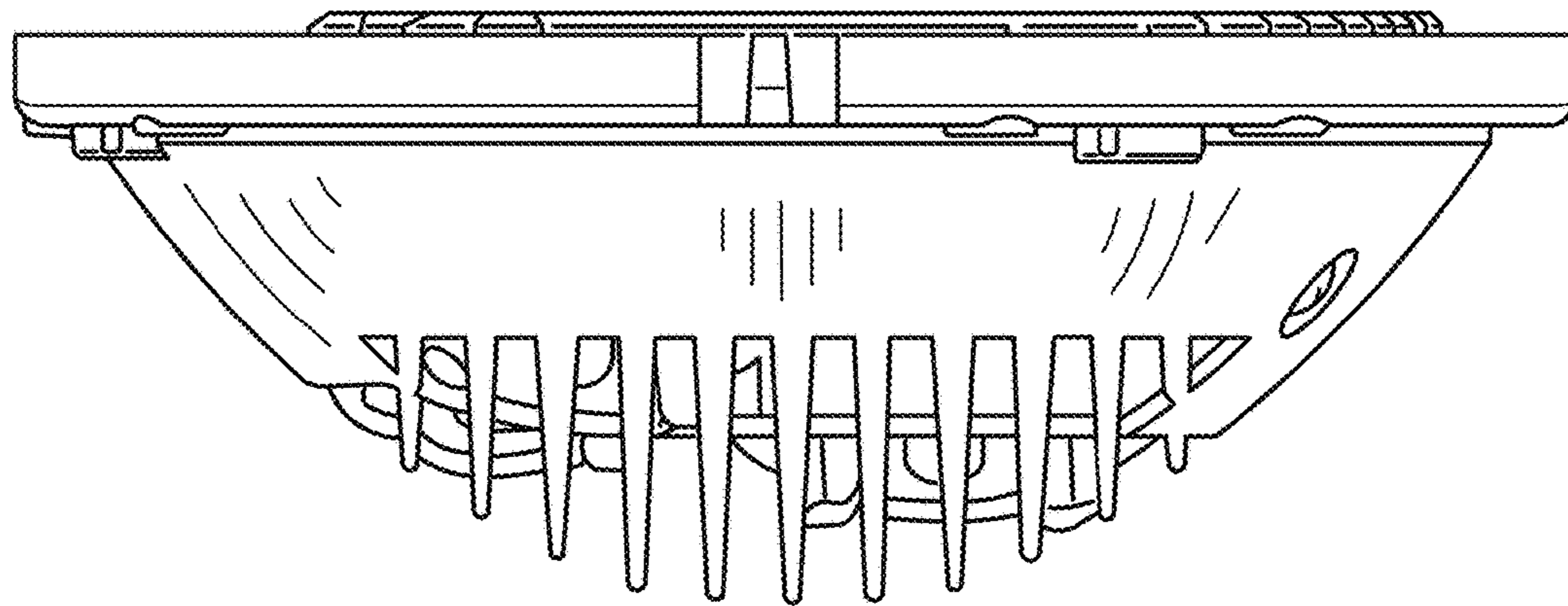


FIG. 5

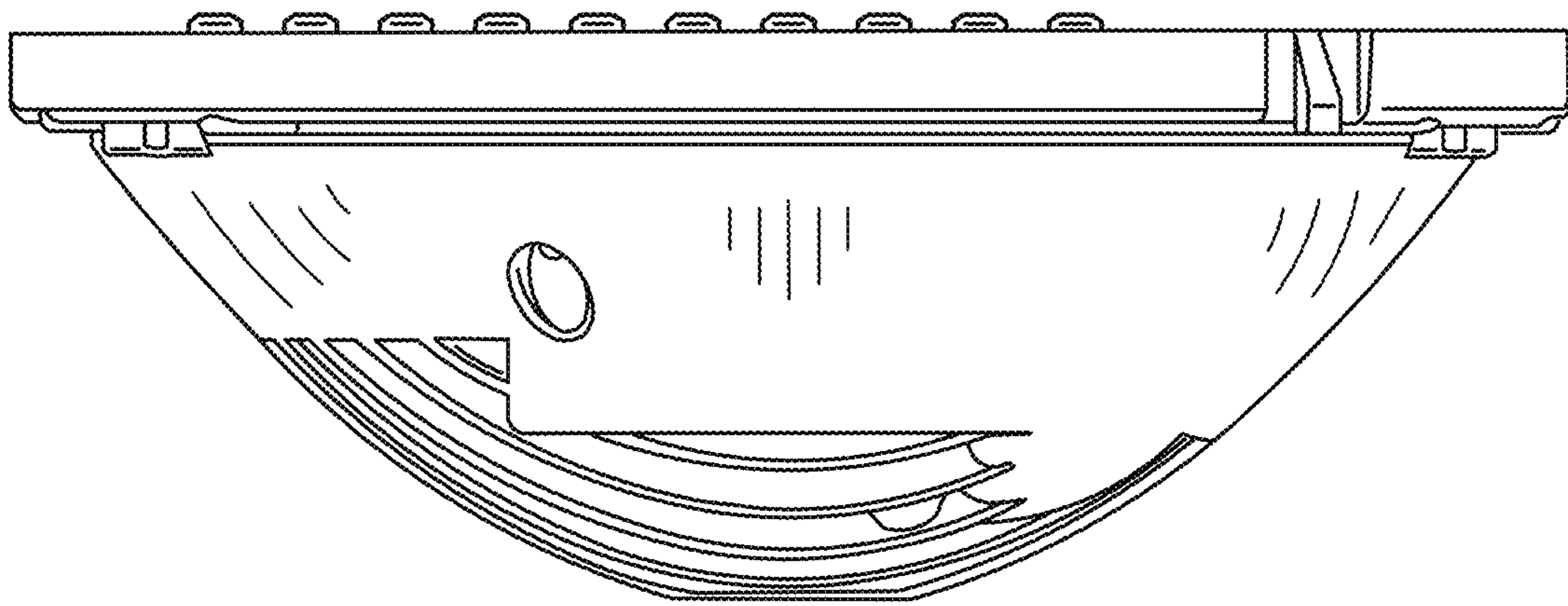


FIG. 6

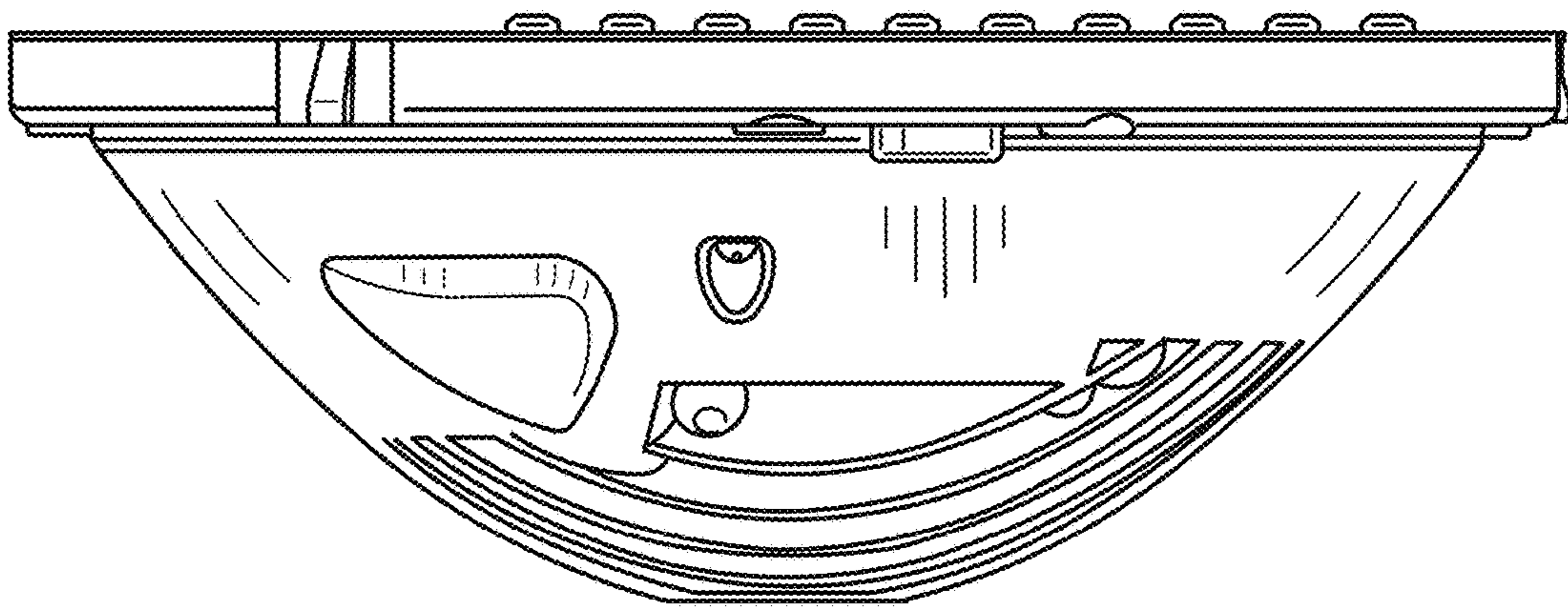


FIG. 7

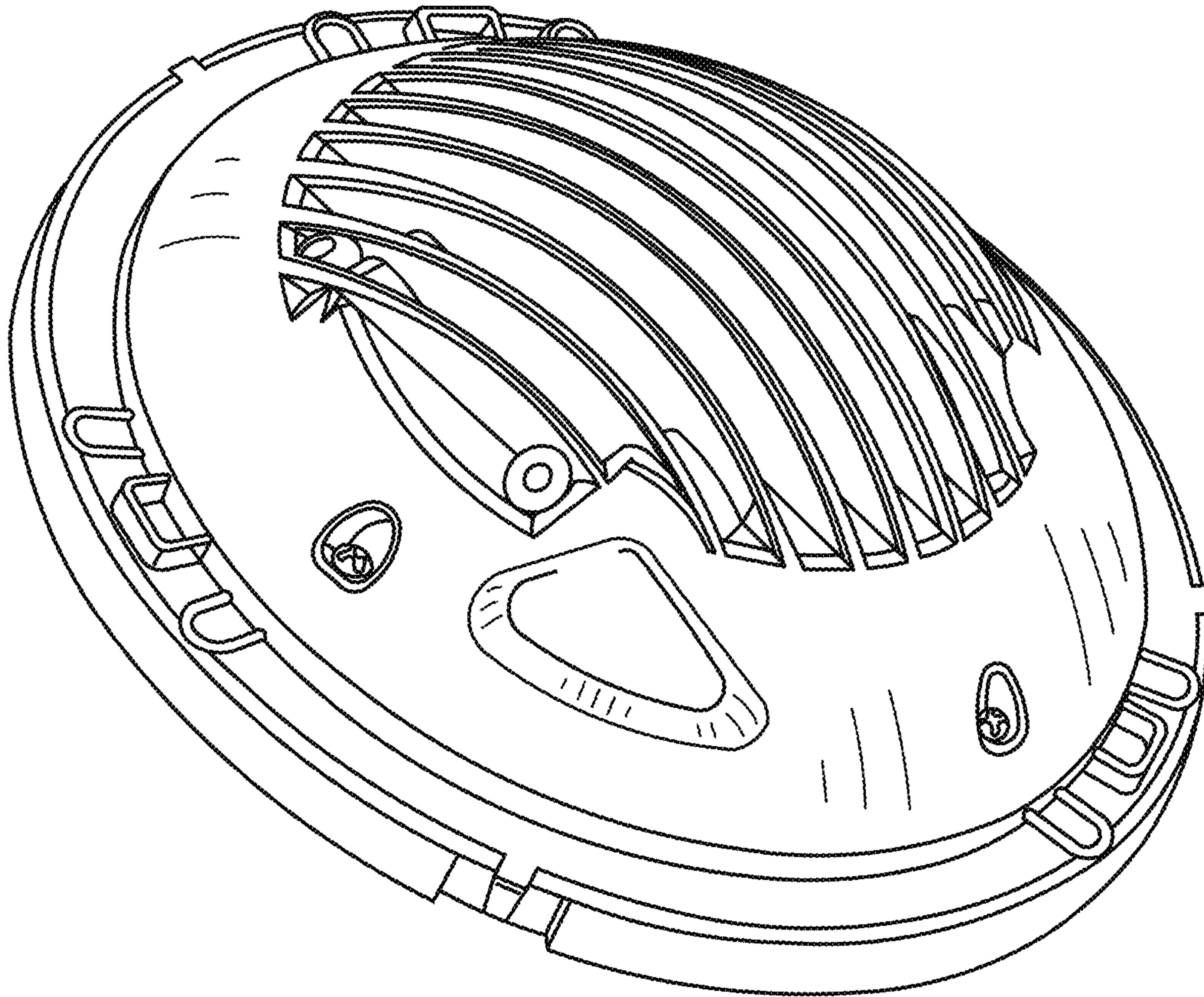


FIG. 8

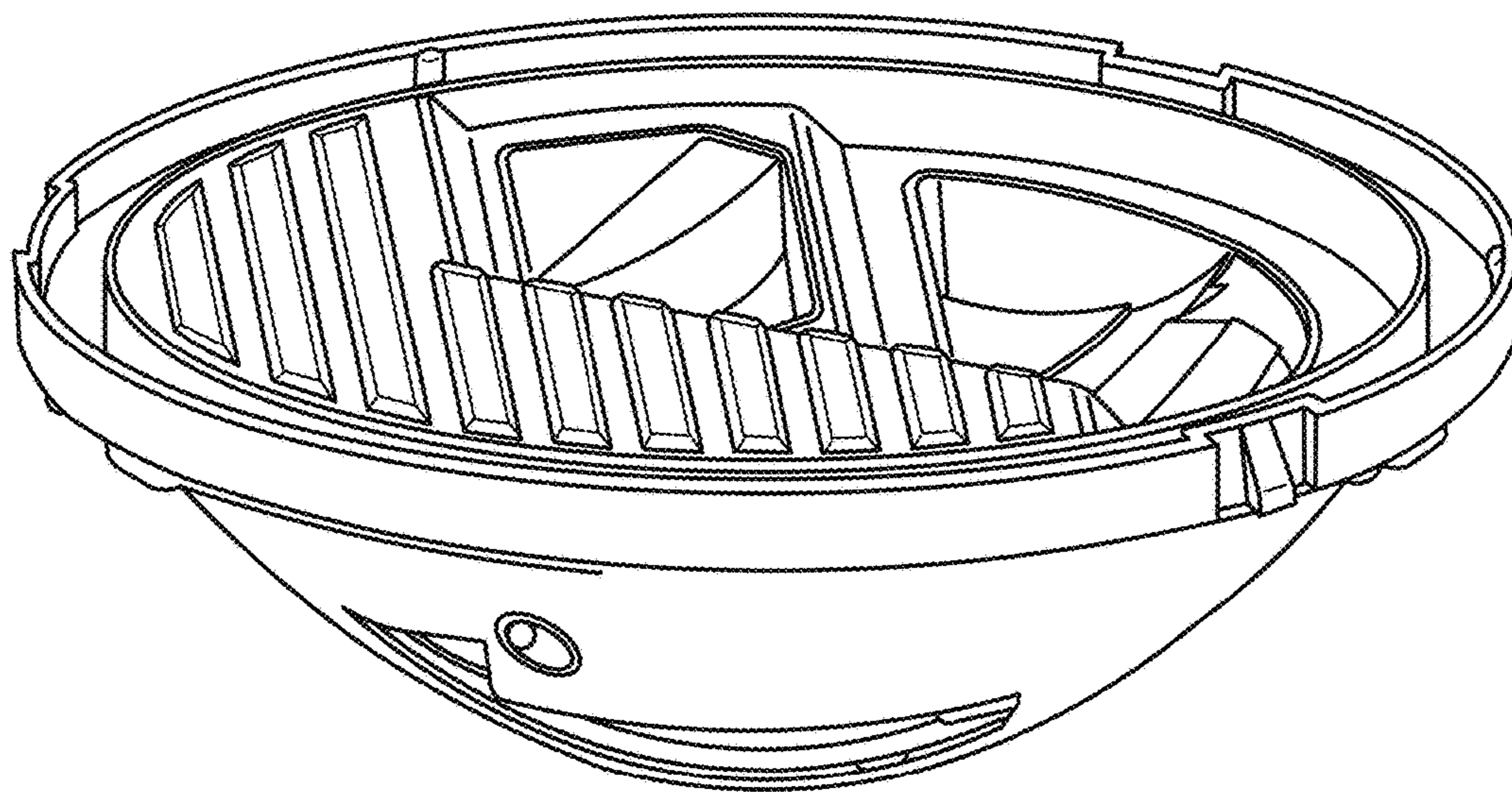


FIG. 9