



US00D808549S

(12) **United States Design Patent** (10) **Patent No.:** **US D808,549 S**
Bosua (45) **Date of Patent:** **** Jan. 23, 2018**

- (54) **DIFFUSER FOR A LED LIGHT BULB**
- (71) Applicant: **LIFI Labs, Inc.**, San Francisco, CA (US)
- (72) Inventor: **Phillip Bosua**, Redwood City, CA (US)
- (73) Assignee: **LIFI Labs, Inc.**, San Francisco, CA (US)
- (**) Term: **15 Years**
- (21) Appl. No.: **29/589,684**
- (22) Filed: **Jan. 4, 2017**

CPC H01R 5/00; H01R 13/46; H01R 13/514;
H01R 31/048; H01R 31/02; H01J 5/00;
H01J 5/16; H01J 15/00; H01J 5/48; H01J
5/50; H01J 19/54; F21V 5/00
See application file for complete search history.

(56) **References Cited**

U.S. PATENT DOCUMENTS

D553,267 S *	10/2007	Yuen	D26/2
D590,523 S *	4/2009	Takahashi	D26/2
D600,368 S *	9/2009	Bertram	D26/2
D605,786 S *	12/2009	Lim	D26/2
D623,774 S *	9/2010	Tsai	D26/2

* cited by examiner

Primary Examiner — Marcus Jackson

(74) *Attorney, Agent, or Firm* — Jeffrey Schox; Diana Lin

(57) **CLAIM**

The ornamental design for a diffuser for a LED light bulb, as shown and described.

DESCRIPTION

FIG. 1 is a side perspective view of a diffuser for a LED light bulb showing the new design.

FIG. 2 is a side view thereof.

FIG. 3 is a top view thereof.

FIG. 4 is a bottom view thereof; and,

FIG. 5 is a bottom perspective view thereof.

The surface lines, broken lines, and graphics are not part of the claimed design.

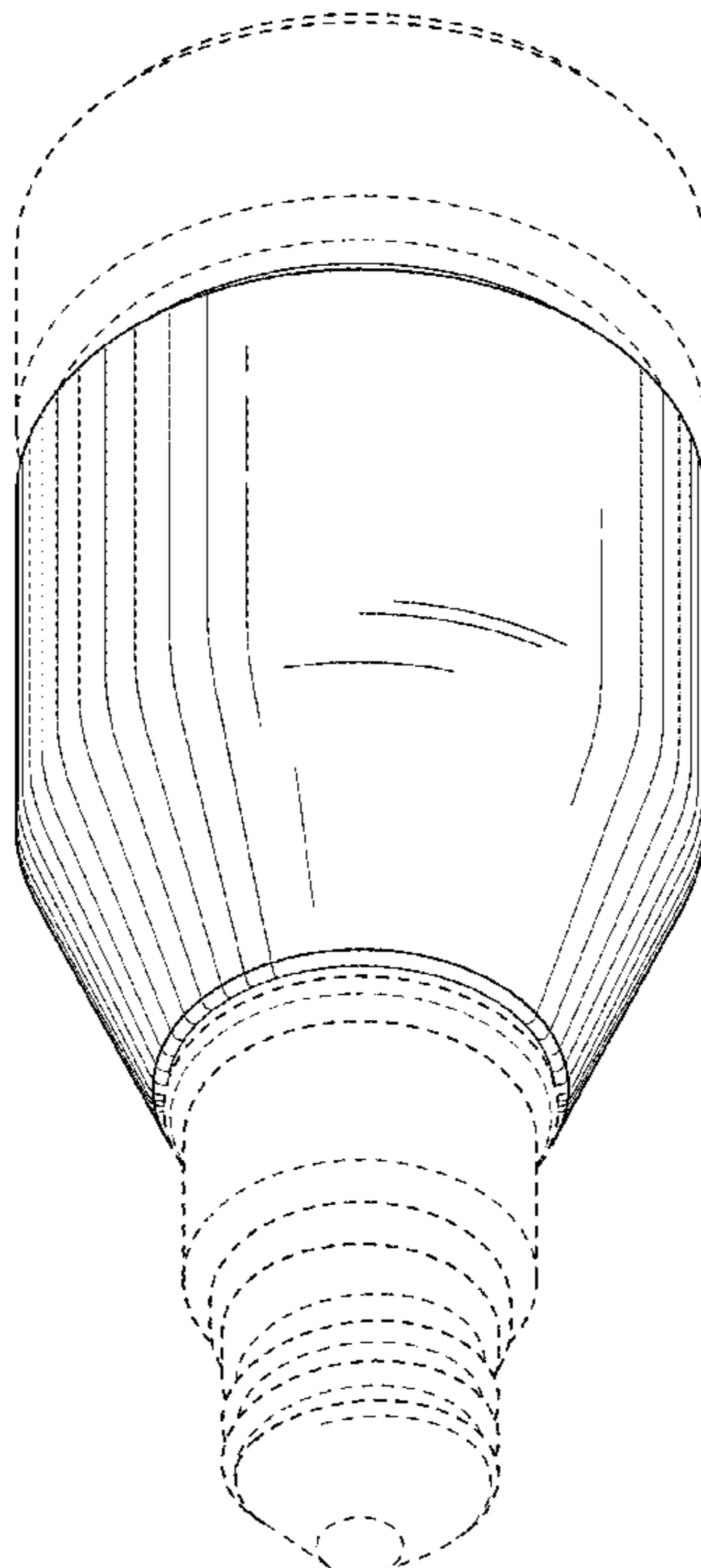
1 Claim, 4 Drawing Sheets

Related U.S. Application Data

- (63) Continuation of application No. 29/540,900, filed on Sep. 29, 2015, now Pat. No. Des. 779,086, which is a continuation of application No. 29/517,793, filed on Feb. 17, 2015, now Pat. No. Des. 743,586, which is a continuation of application No. 29/464,161, filed on Aug. 13, 2013, now Pat. No. Des. 722,709.

Foreign Application Priority Data

- (30) Feb. 14, 2013 (AU) 107302013
- (51) **LOC (11) Cl.** **26-04**
- (52) **U.S. Cl.**
USPC **D26/2**
- (58) **Field of Classification Search**
USPC D26/1-4; 313/313, 315, 316, 317, 318,
313/493; 315/52, 53, 56, 57, 58



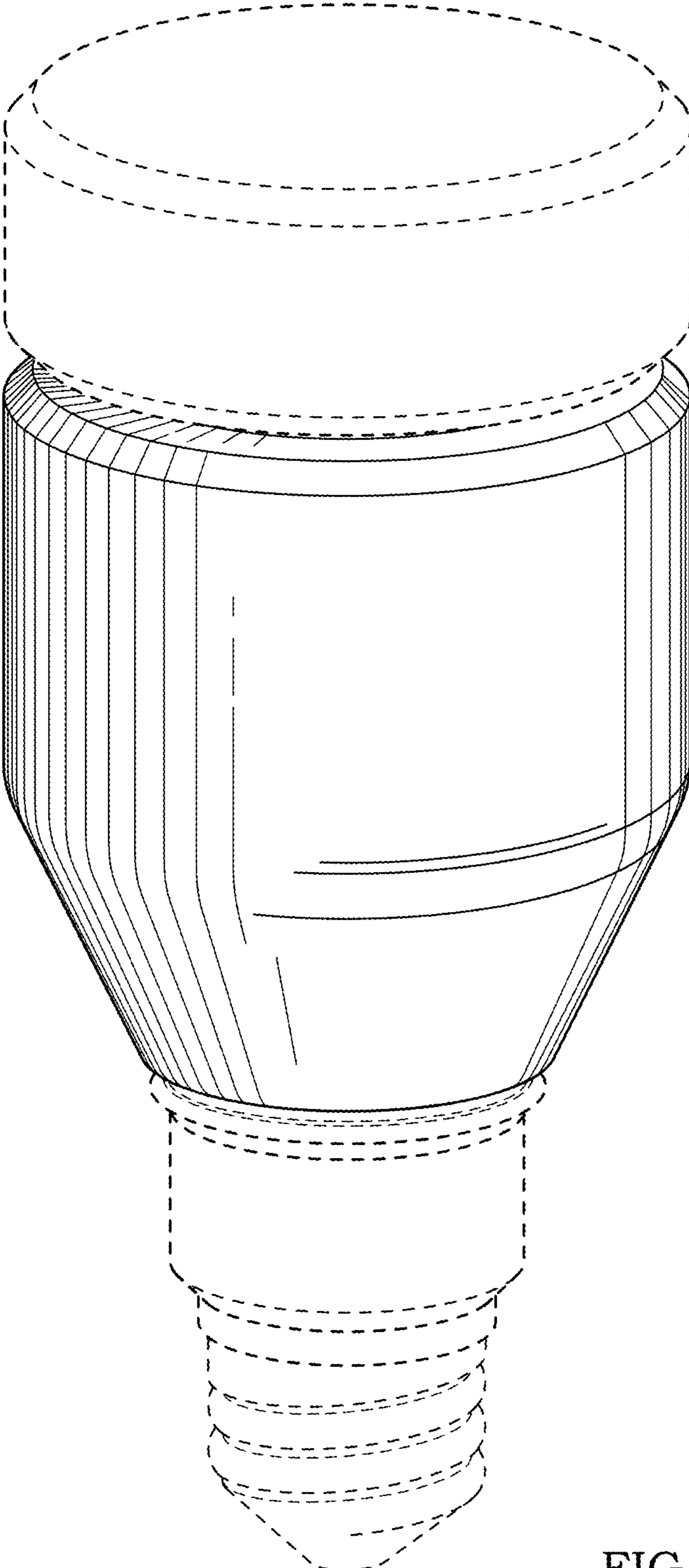


FIG. 1

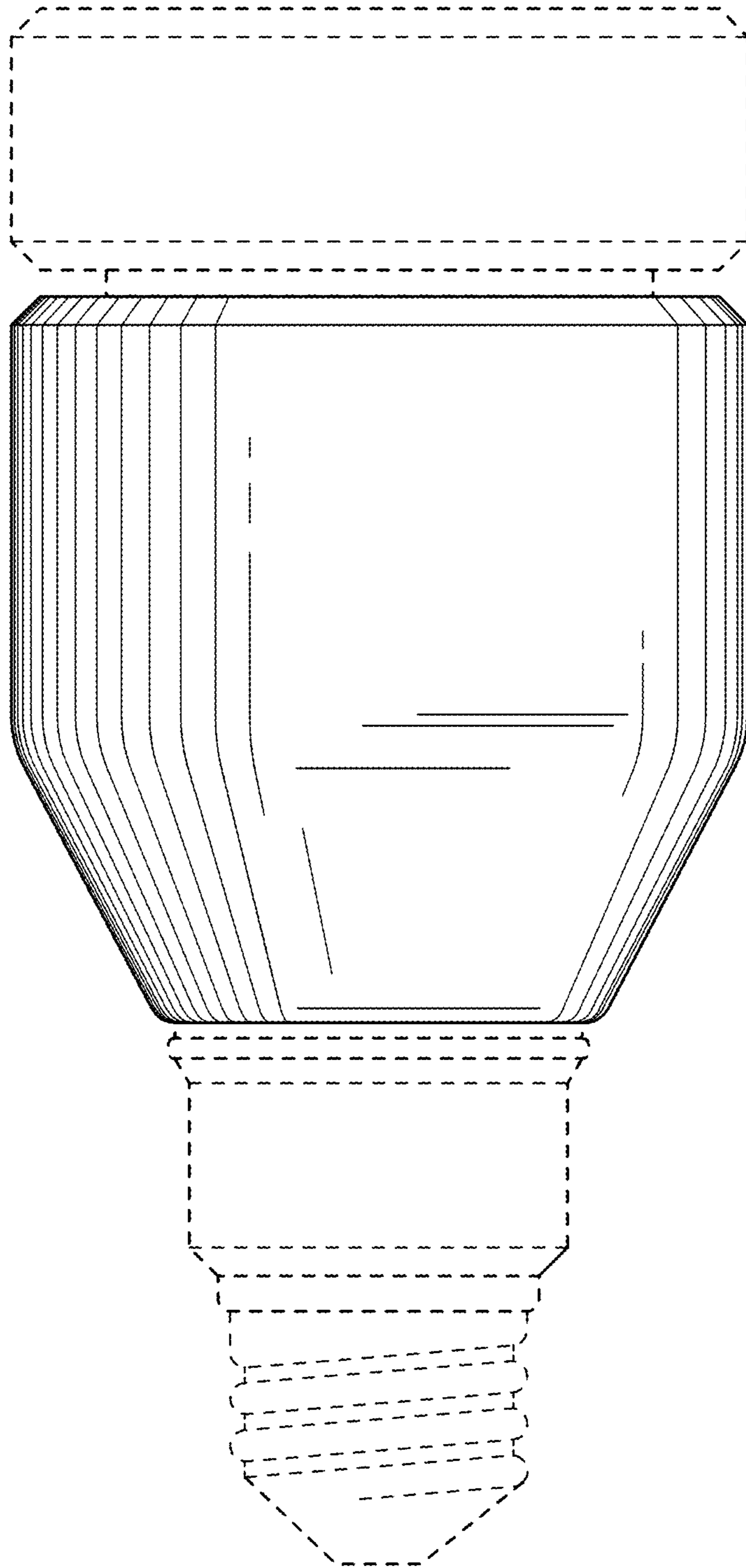


FIG. 2

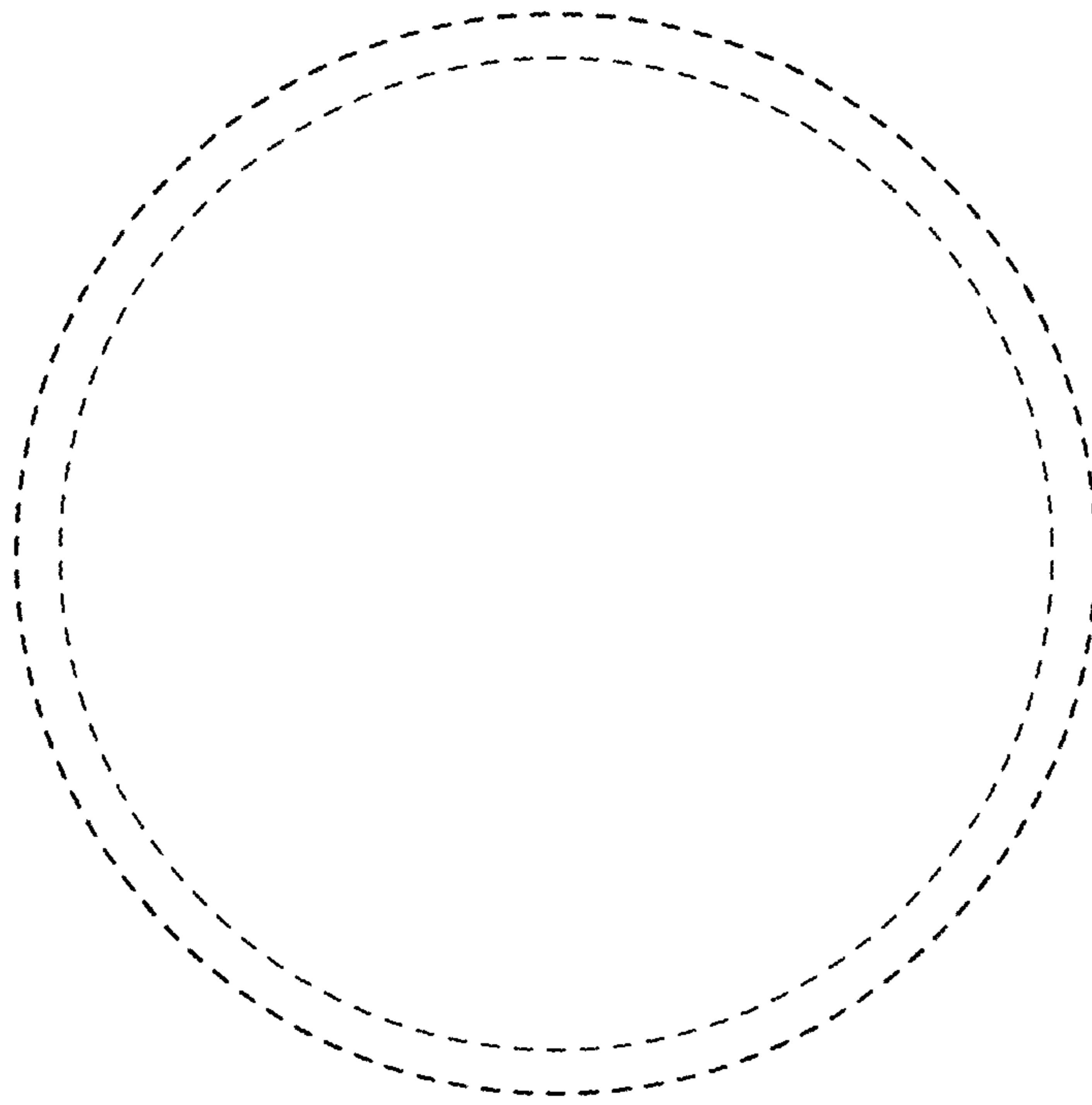


FIG. 3

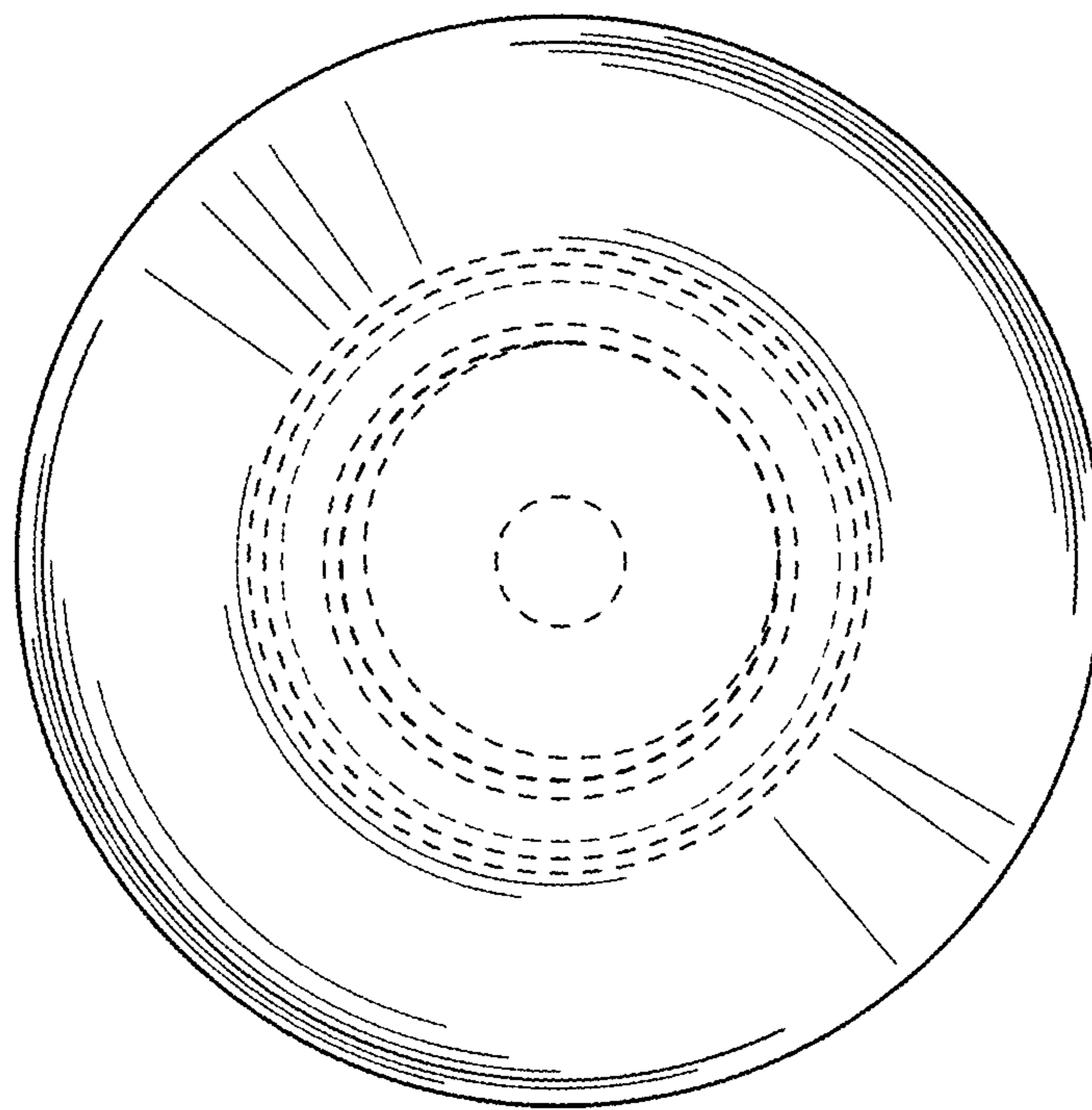


FIG. 4

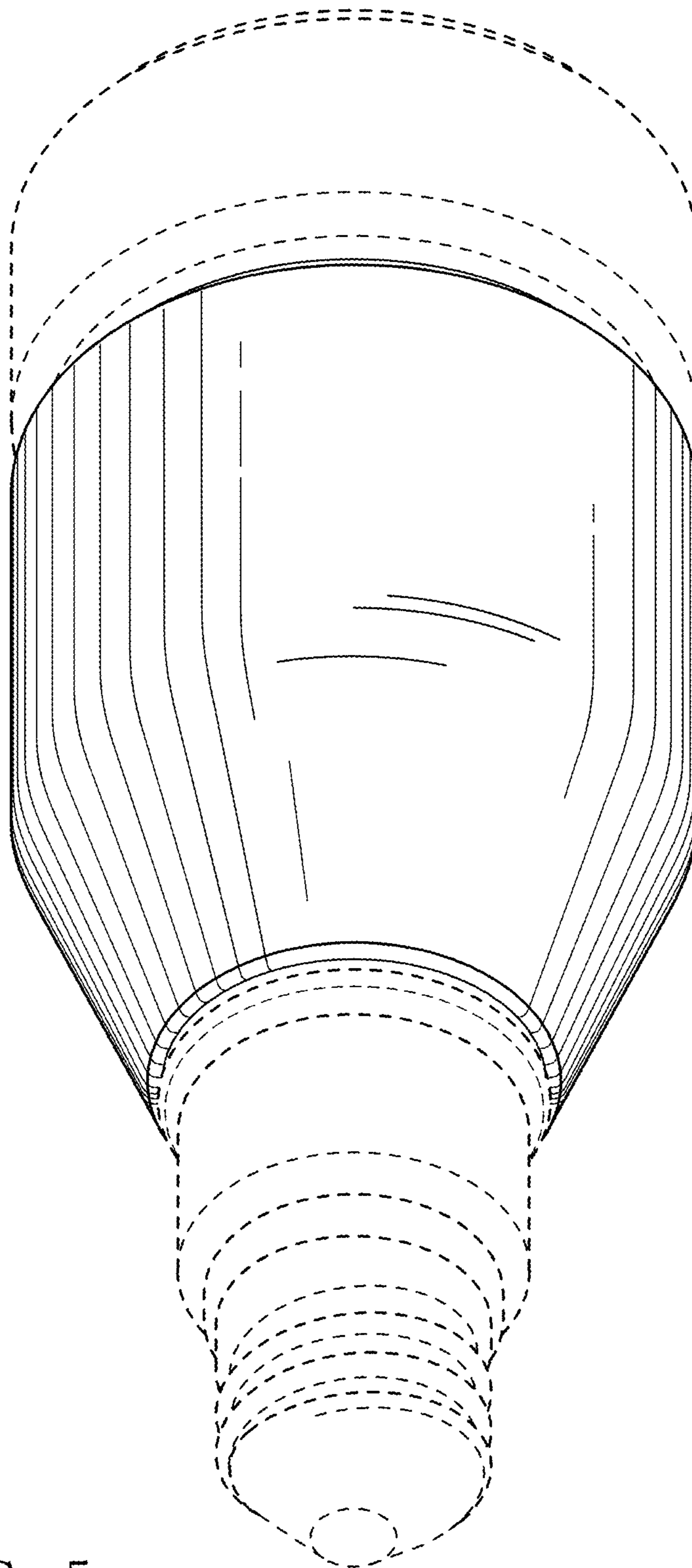


FIG. 5