



US00D808548S

(12) **United States Design Patent** (10) **Patent No.:** **US D808,548 S**
Xu et al. (45) **Date of Patent:** **** Jan. 23, 2018**

(54) **LED LAMP**

(56) **References Cited**

(71) Applicant: **JIAXING SUPER LIGHTING ELECTRIC APPLIANCE CO., LTD,**
Zhejiang (CN)

U.S. PATENT DOCUMENTS

(72) Inventors: **Jin-Feng Xu,** Zhejiang (CN); **Yong-si Bi,** Zhejiang (CN); **Chang Yang,** Zhejiang (CN)

D610,274 S * 2/2010 Cho D26/2
D610,722 S * 2/2010 Bi D26/2
D623,777 S * 9/2010 Moon D26/2
D631,569 S * 1/2011 Bobel D26/2
D664,274 S * 7/2012 de Visser D26/2

(73) Assignee: **JIAXING SUPER LIGHTING ELECTRIC APPLIANCE CO., LTD,**
Zhejiang (CN)

* cited by examiner

Primary Examiner — Marcus Jackson
(74) *Attorney, Agent, or Firm* — Andrew M. Calderon;
Roberts Mlotkowski Safran Cole & Calderon, P.C.

(**) Term: **15 Years**

(21) Appl. No.: **29/586,968**

(57) **CLAIM**

(22) Filed: **Dec. 8, 2016**

The ornamental design for an LED lamp, as shown and described.

(30) **Foreign Application Priority Data**

DESCRIPTION

Jun. 17, 2016 (CN) 2016 3 0251631

(51) **LOC (11) Cl.** **26-04**

(52) **U.S. Cl.**
USPC **D26/2**

(58) **Field of Classification Search**
USPC D26/1-4; 313/313, 315, 316, 317, 318,
313/493; 315/52, 53, 56, 57, 58
CPC H01R 5/00; H01R 13/46; H01R 13/514;
H01R 31/048; H01R 31/02; H01J 5/00;
H01J 5/16; H01J 15/00; H01J 5/48; H01J
5/50; H01J 19/54; F21V 5/00
See application file for complete search history.

FIG. 1 is a perspective view of an LED lamp showing our new design;

FIG. 2 is a front view of FIG. 1;

FIG. 3 is a rear view of FIG. 1;

FIG. 4 is a left side view of FIG. 1;

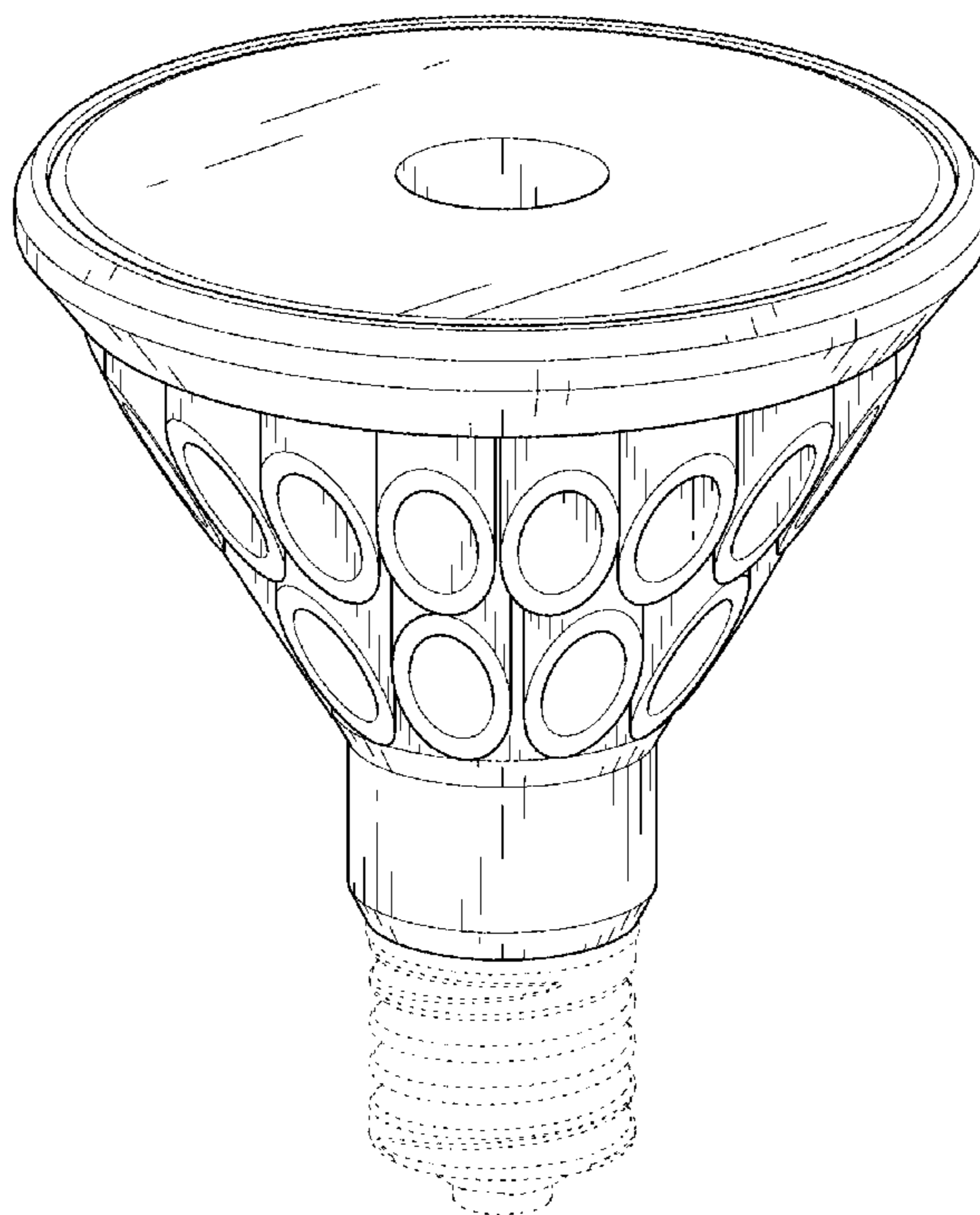
FIG. 5 is a right side view of FIG. 1;

FIG. 6 is a top view of FIG. 1; and,

FIG. 7 is a bottom view of FIG. 1.

The broken lines in the figures form no part of the claimed design.

1 Claim, 7 Drawing Sheets



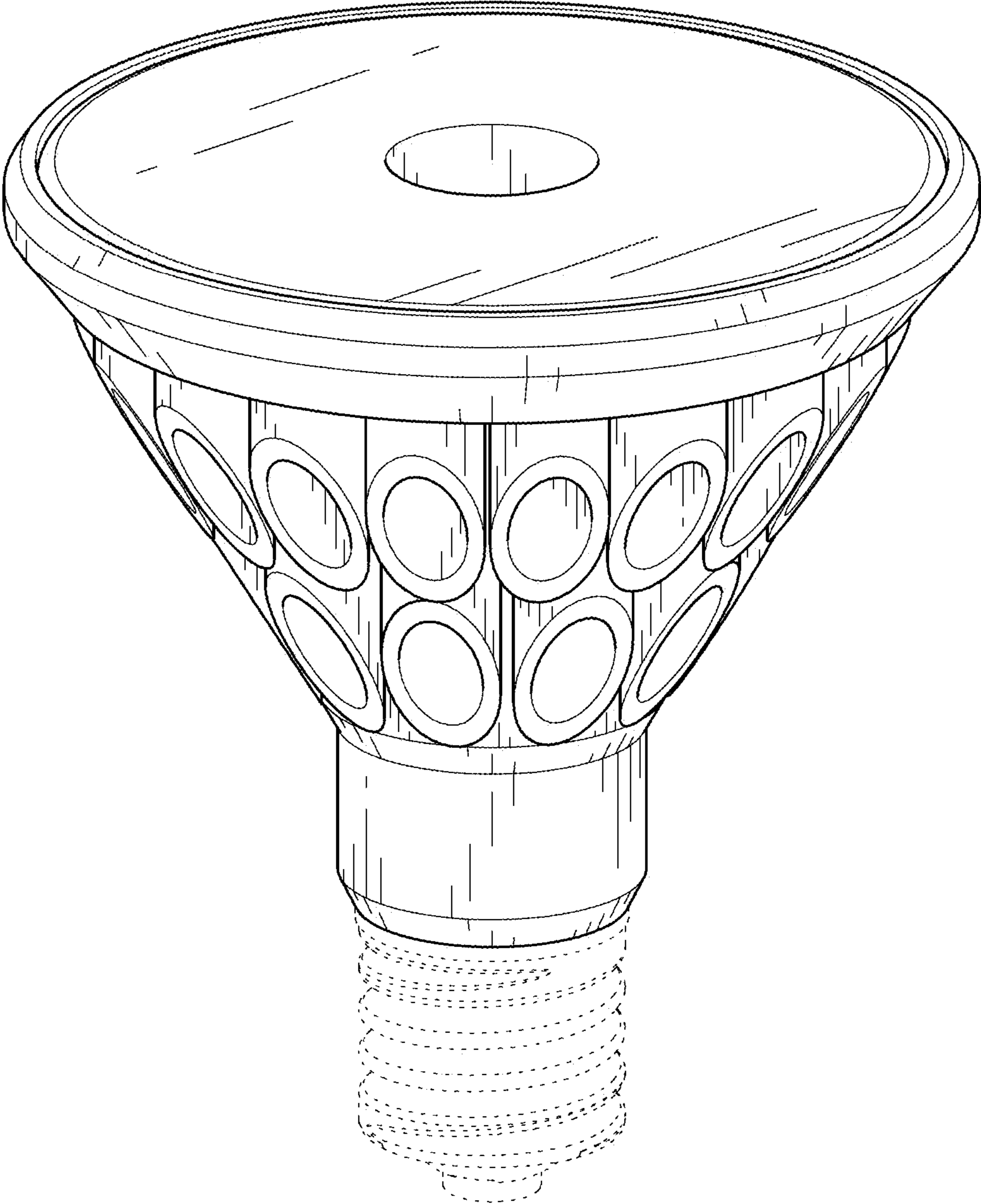


FIG. 1

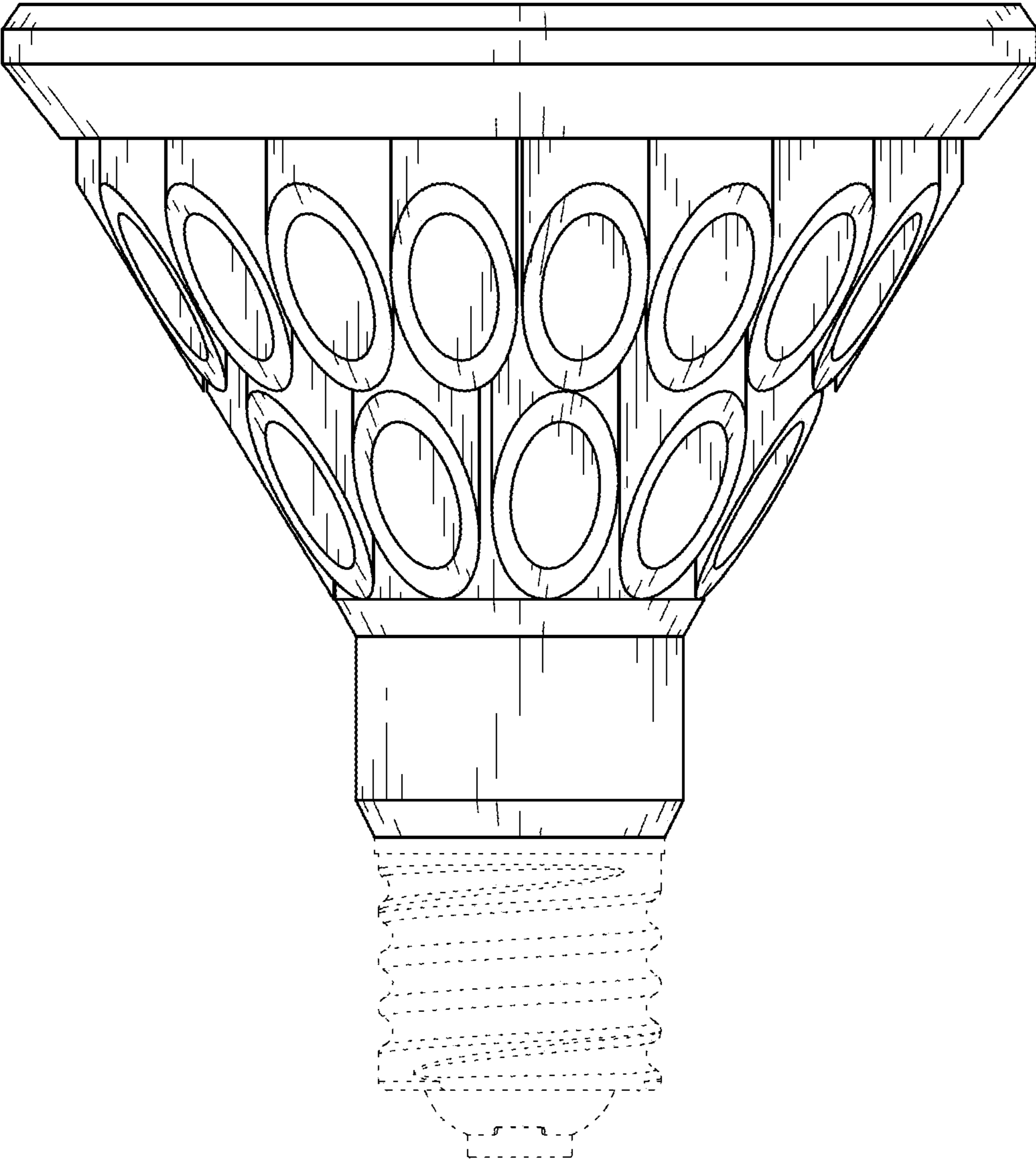


FIG.2

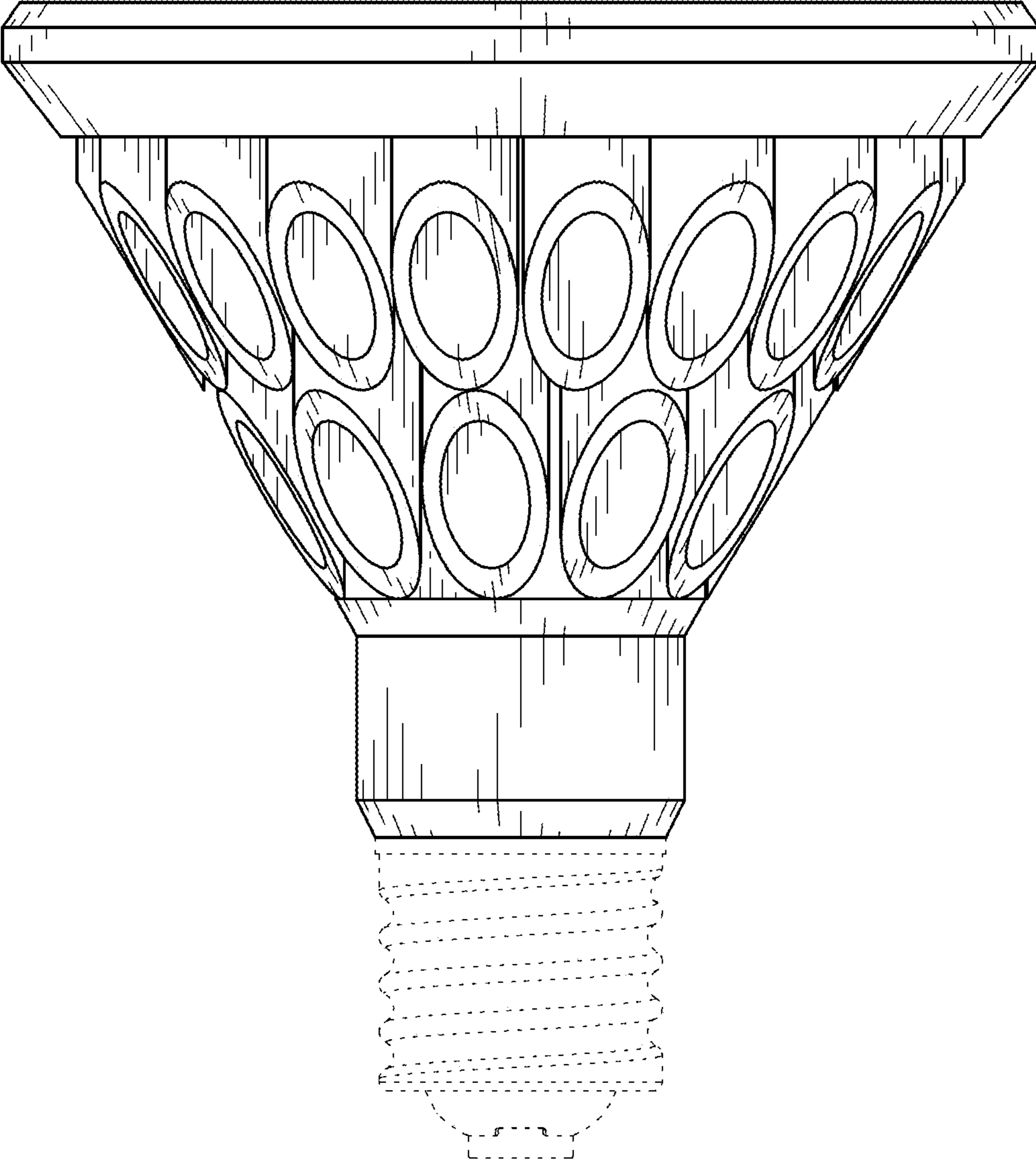


FIG.3

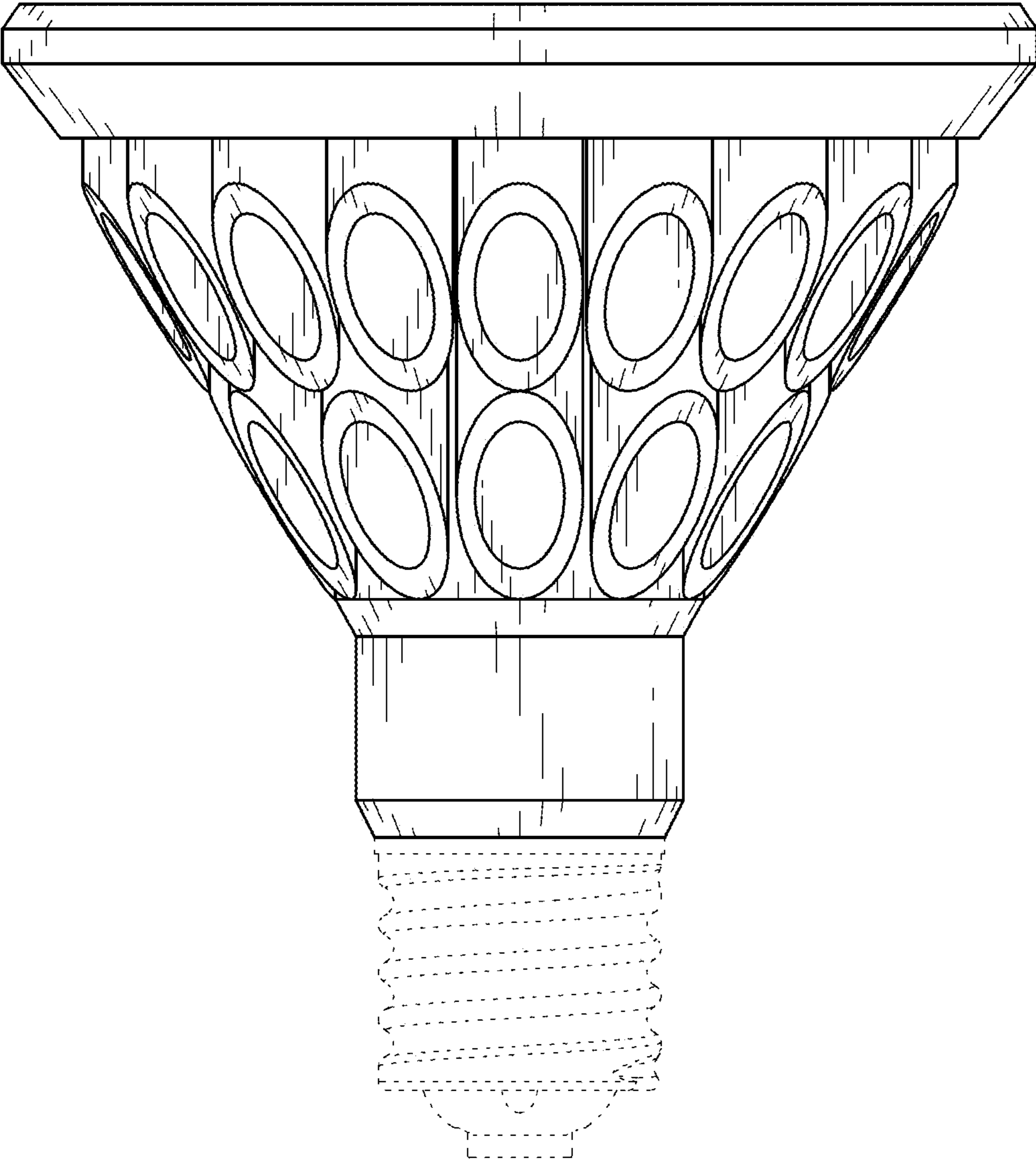


FIG.4

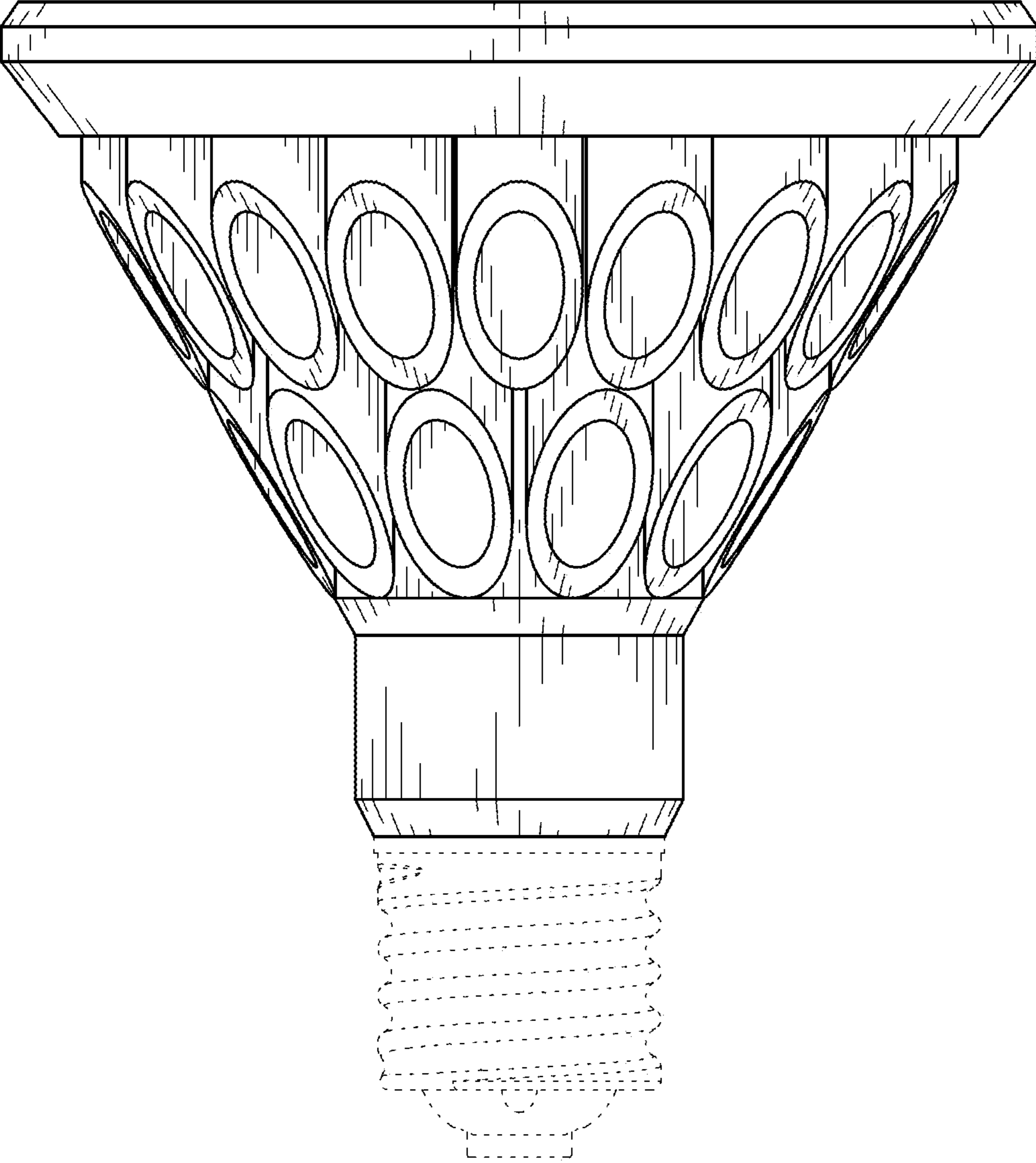


FIG.5

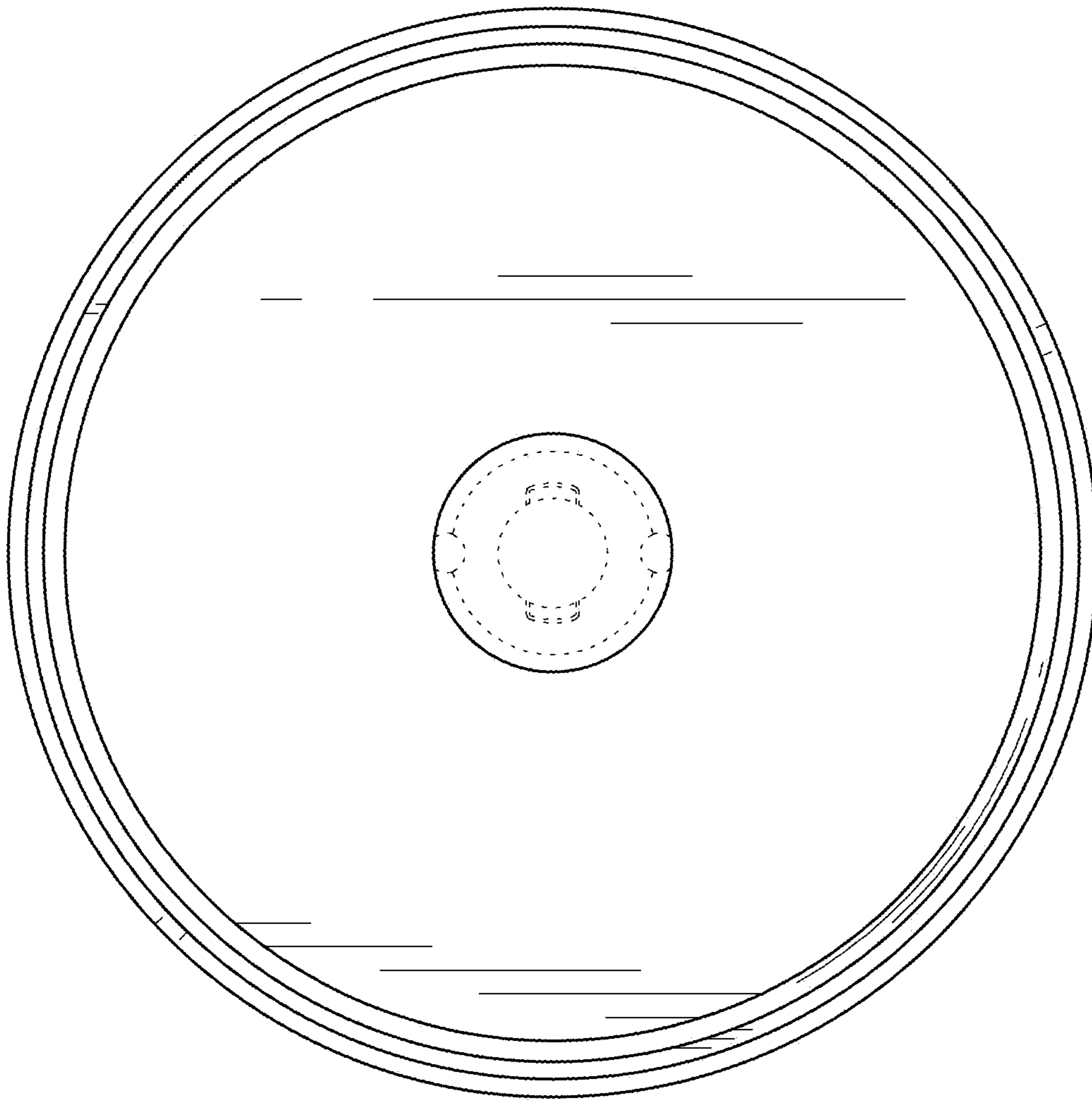


FIG.6

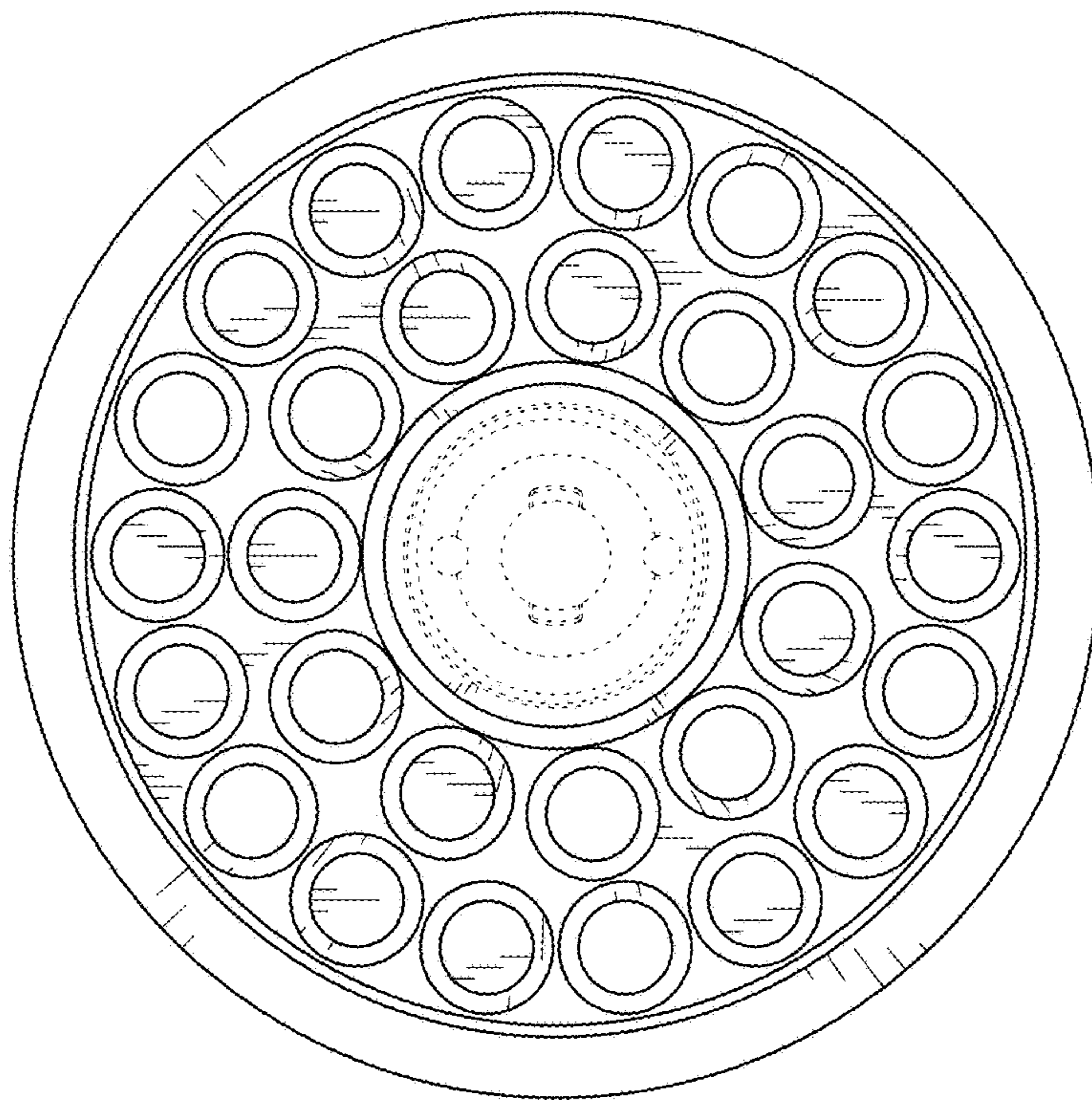


FIG.7