



US00D808546S

(12) **United States Design Patent**
Pleso et al.

(10) **Patent No.:** **US D808,546 S**

(45) **Date of Patent:** **** Jan. 23, 2018**

(54) **INTERFACE FOR AN ELECTRONIC UNIT**

D636,900 S * 4/2011 Chou D26/1
D645,984 S * 9/2011 Wang D26/1

(71) Applicant: **Cisco Technology, Inc.**, San Jose, CA
(US)

* cited by examiner

(72) Inventors: **Benjamin Thomas Pleso**, Richfield,
OH (US); **Daniel Neal Johnson**,
Louisville, OH (US)

Primary Examiner — Marcus Jackson

(74) *Attorney, Agent, or Firm* — Patterson + Sheridan,
LLP

(73) Assignee: **Cisco Technology, Inc.**, San Jose, CA
(US)

(57) **CLAIM**

The ornamental design for an interface for an electronic unit,
as shown and described.

(**) Term: **15 Years**

(21) Appl. No.: **29/565,479**

DESCRIPTION

(22) Filed: **May 20, 2016**

(51) **LOC (11) Cl.** **26-04**

(52) **U.S. Cl.**
USPC **D26/1**

(58) **Field of Classification Search**
USPC D26/1-4; 313/313, 315, 316, 317, 318,
313/493; 315/52, 53, 56, 57, 58

CPC H01R 5/00; H01R 13/46; H01R 13/514;
H01R 31/048; H01R 31/02; H01J 5/00;
H01J 5/16; H01J 15/00; H01J 5/48; H01J
5/50; H01J 19/54; F21V 5/00

See application file for complete search history.

FIG. 1 is a top front perspective view of one embodiment of
an interface for an electronic unit, showing our new design;
FIG. 2 is a bottom front perspective view thereof;
FIG. 3 is an enlarged perspective view of a portion thereof;
FIG. 4 is another enlarged perspective view of the portion
thereof;
FIG. 5 is an enlarged front elevational view of the portion
thereof;
FIG. 6 is a front elevational view thereof;
FIG. 7 is a right side elevational view thereof;
FIG. 8 is a rear elevational view thereof;
FIG. 9 is a left side elevational view thereof;
FIG. 10 is a top plan view thereof; and,
FIG. 11 is a bottom plan view thereof.

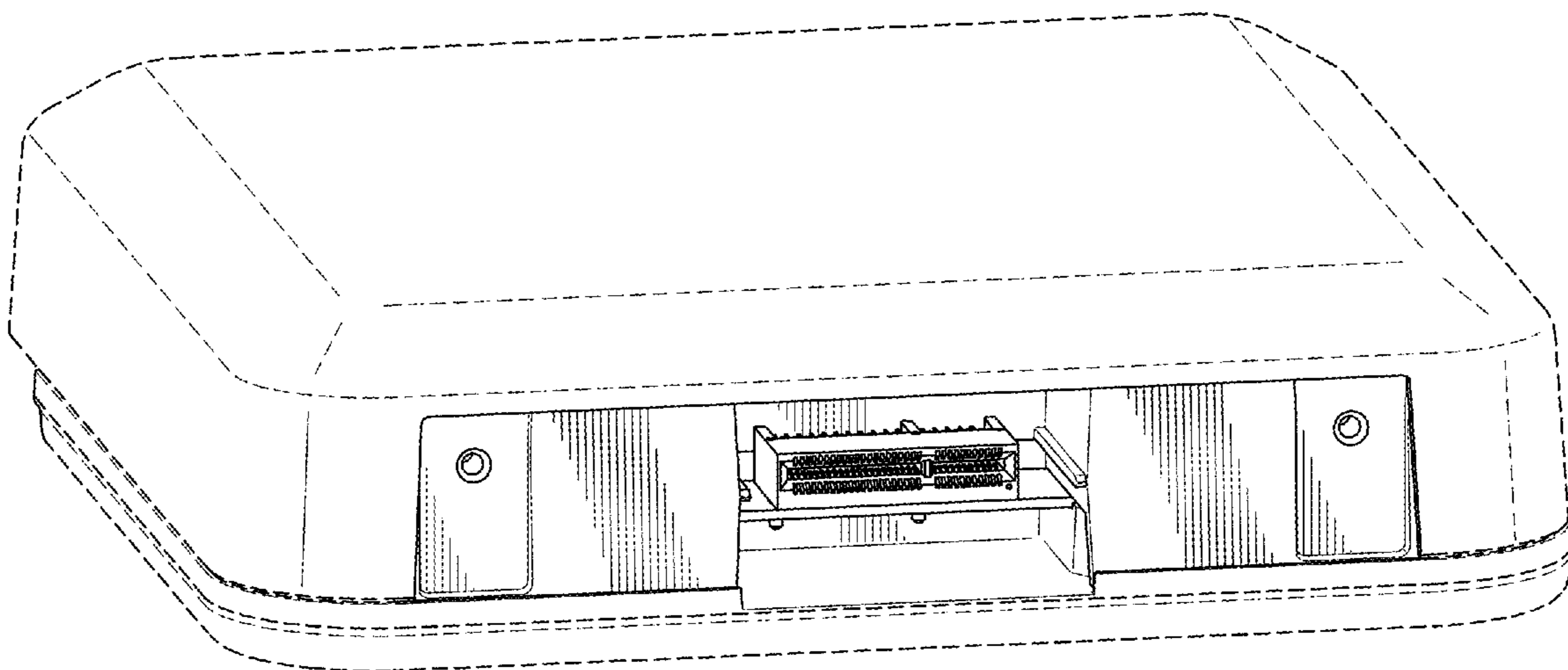
The portions illustrated in broken lines form no part of the
claimed design.

(56) **References Cited**

U.S. PATENT DOCUMENTS

D509,309 S * 9/2005 Janssen D26/1
D578,670 S * 10/2008 Li D26/1

1 Claim, 9 Drawing Sheets



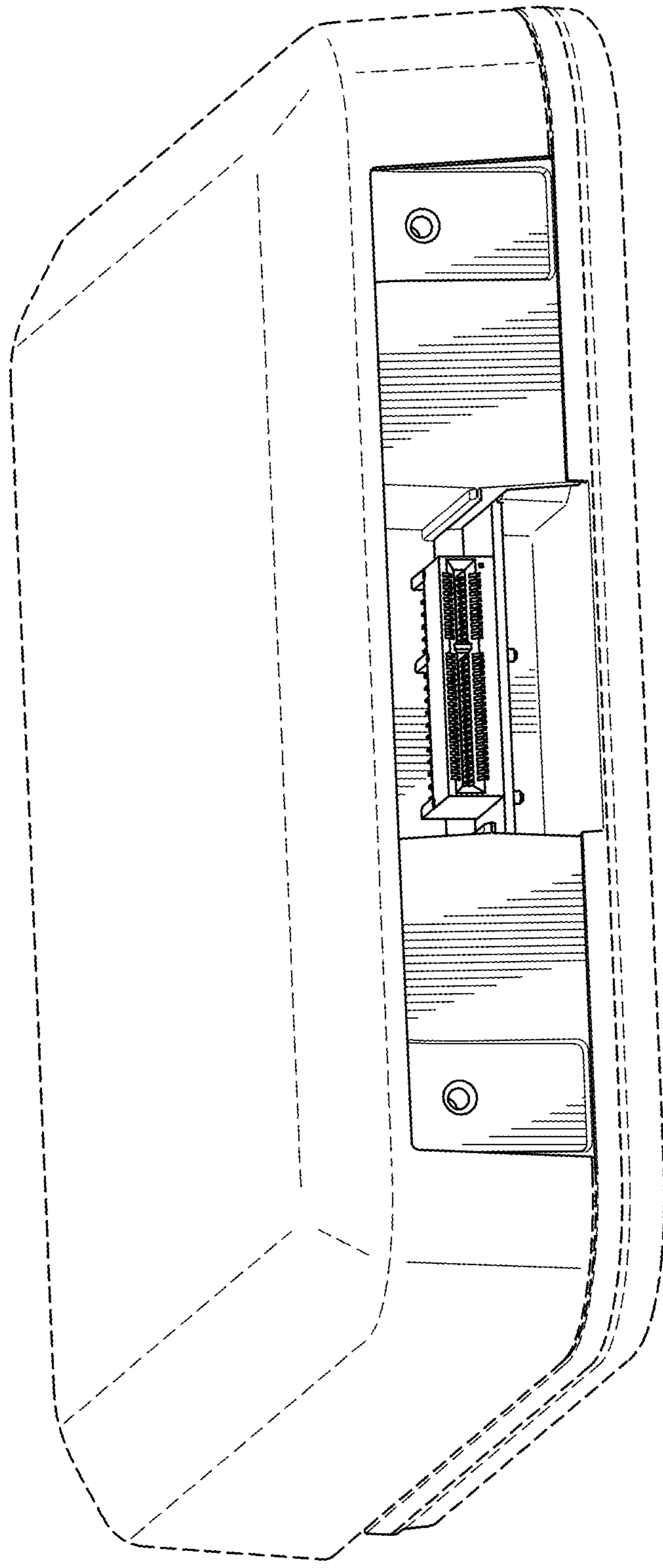


Fig. 1

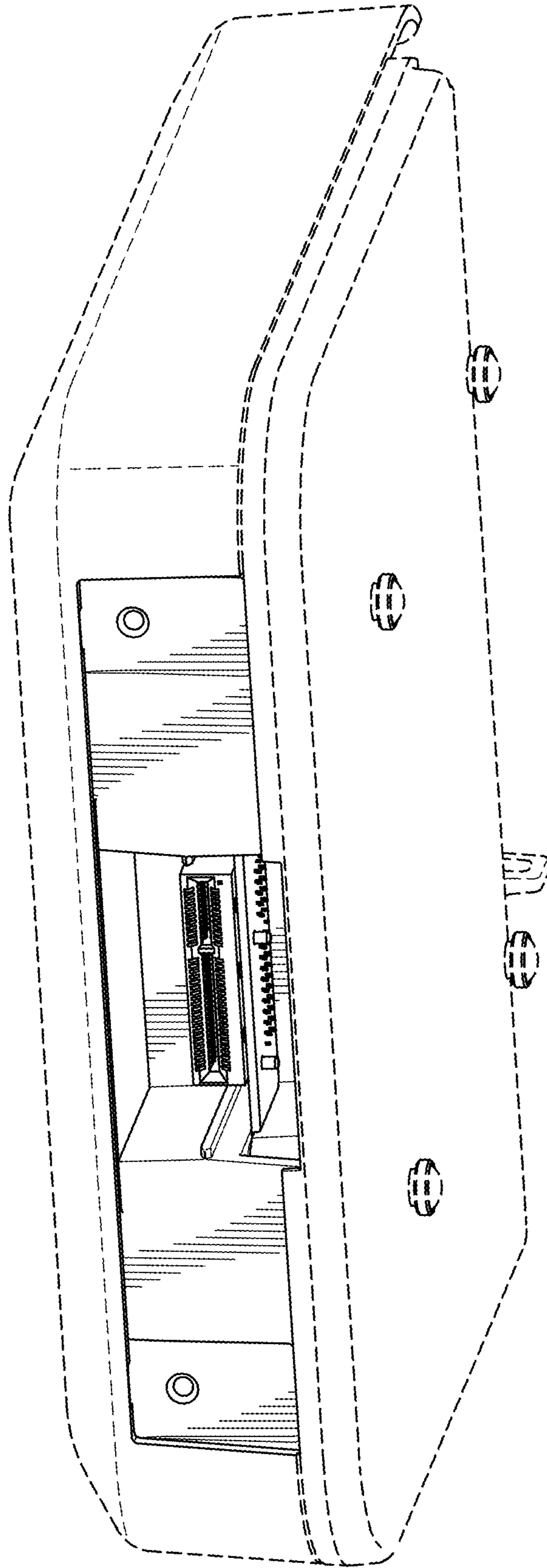


Fig. 2

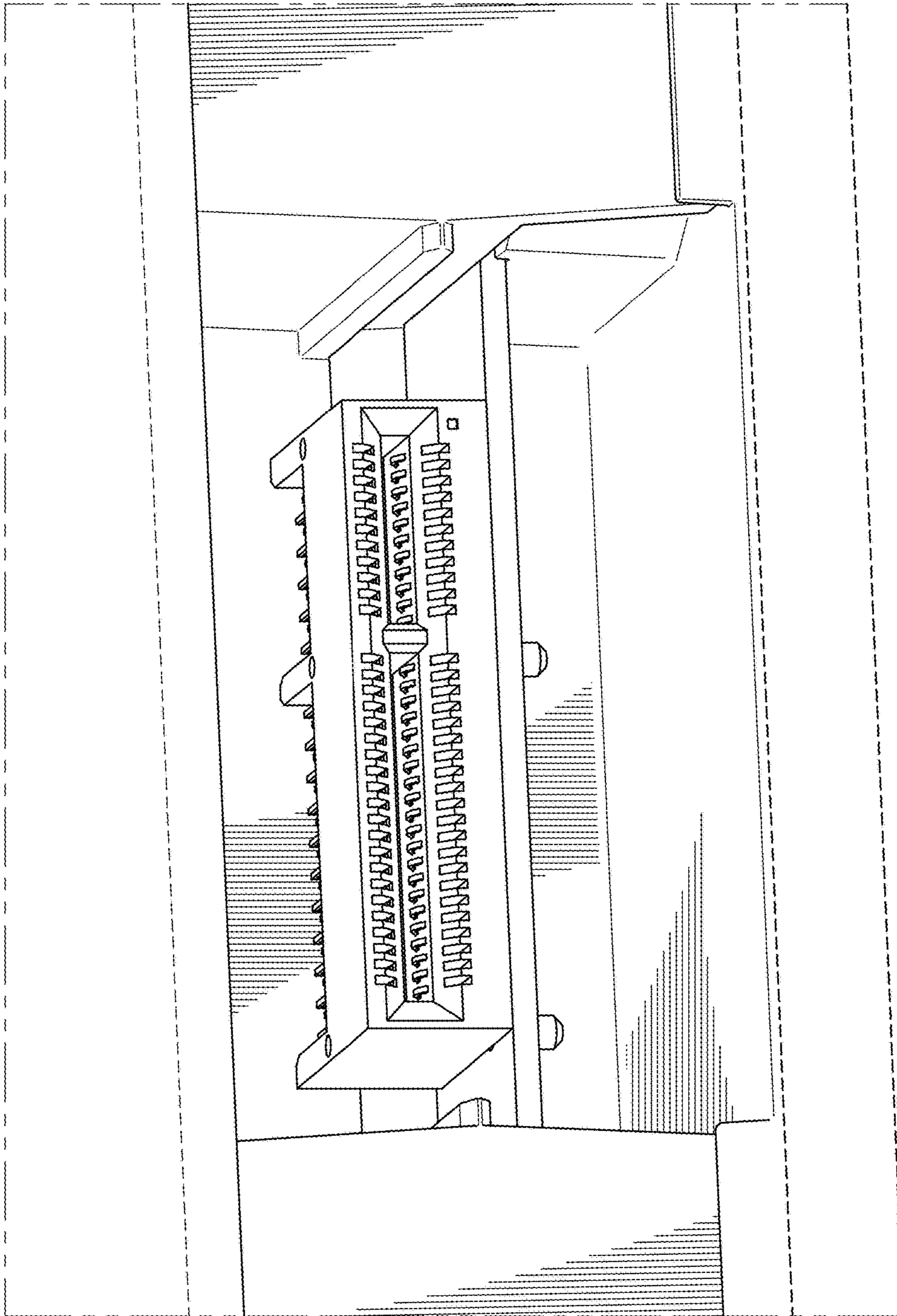
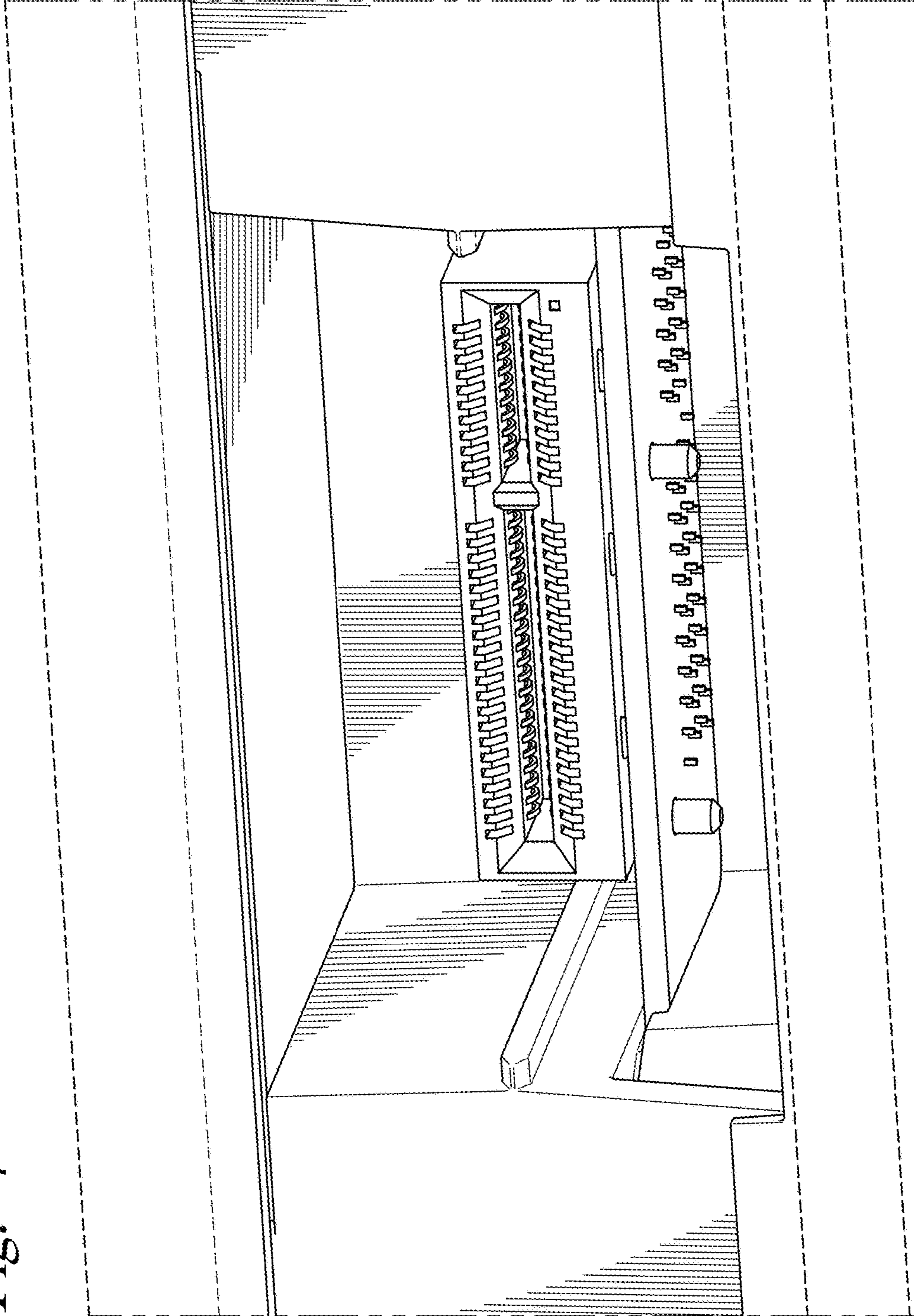


Fig. 3

Fig. 4



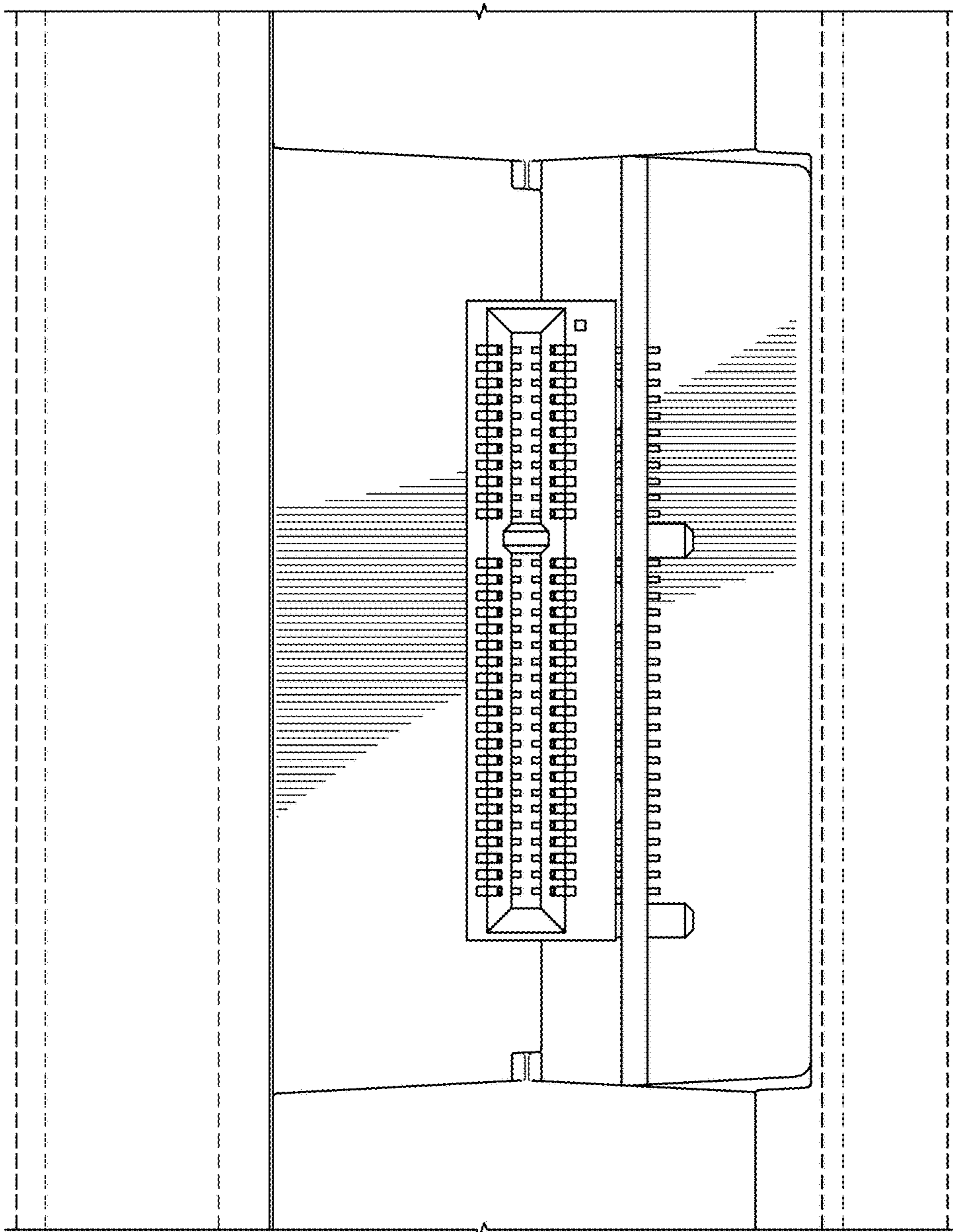


Fig. 5

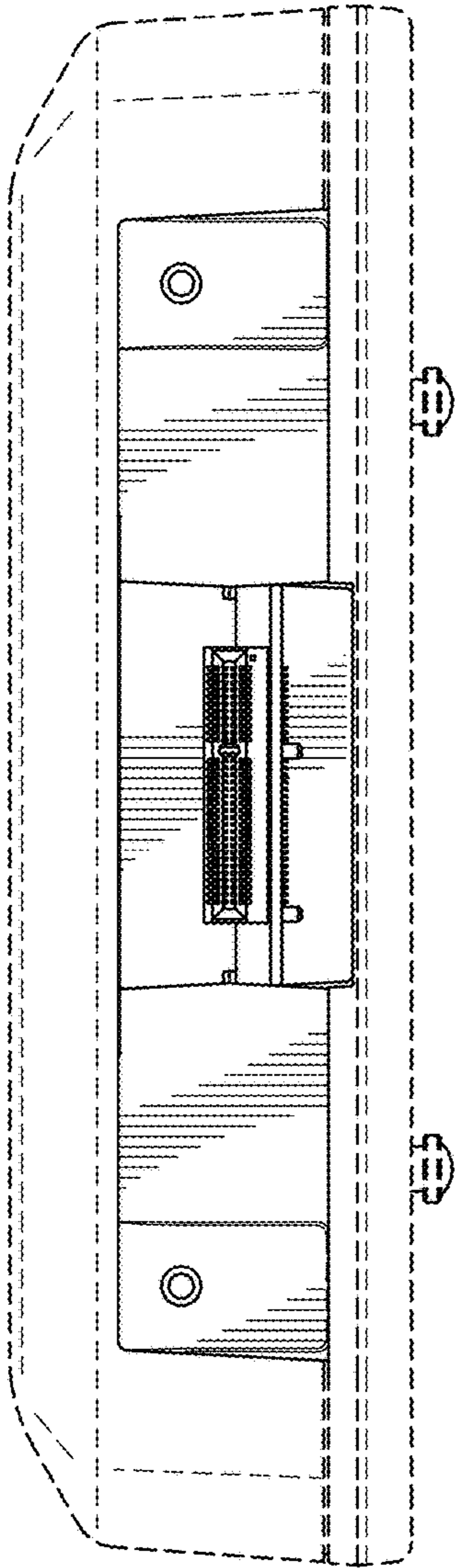


Fig. 6

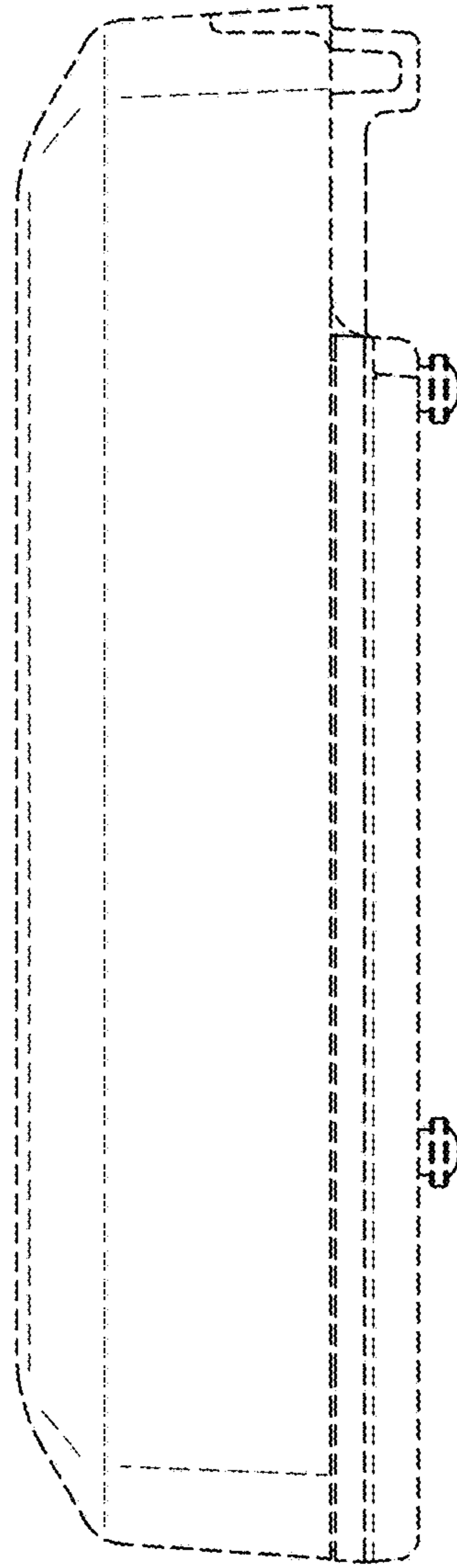


Fig. 7

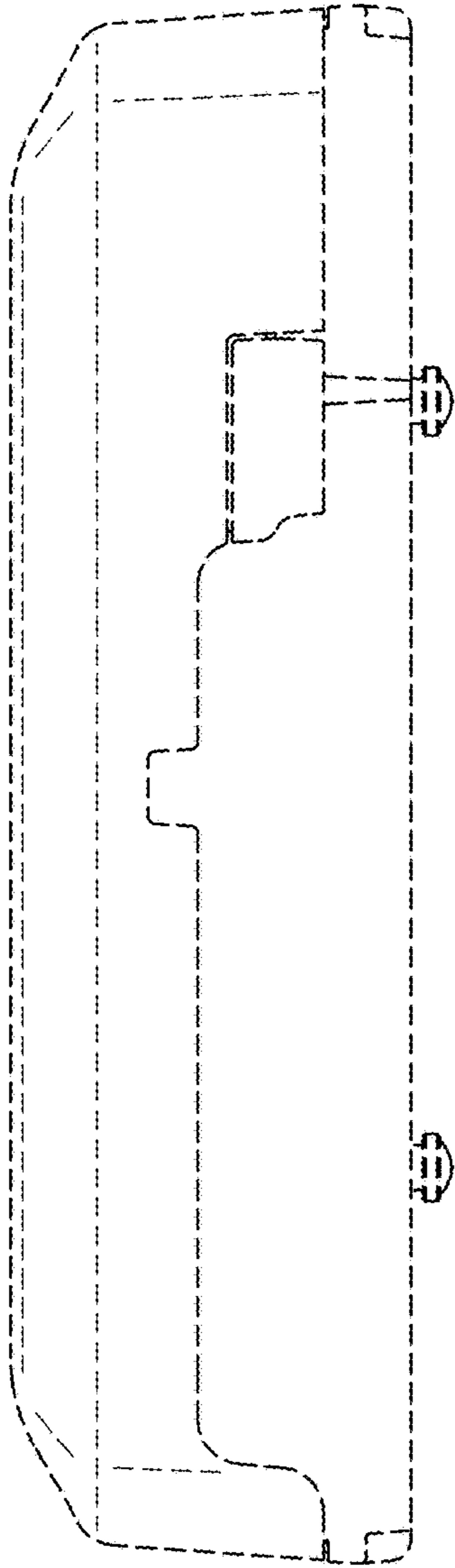


Fig. 8



Fig. 9

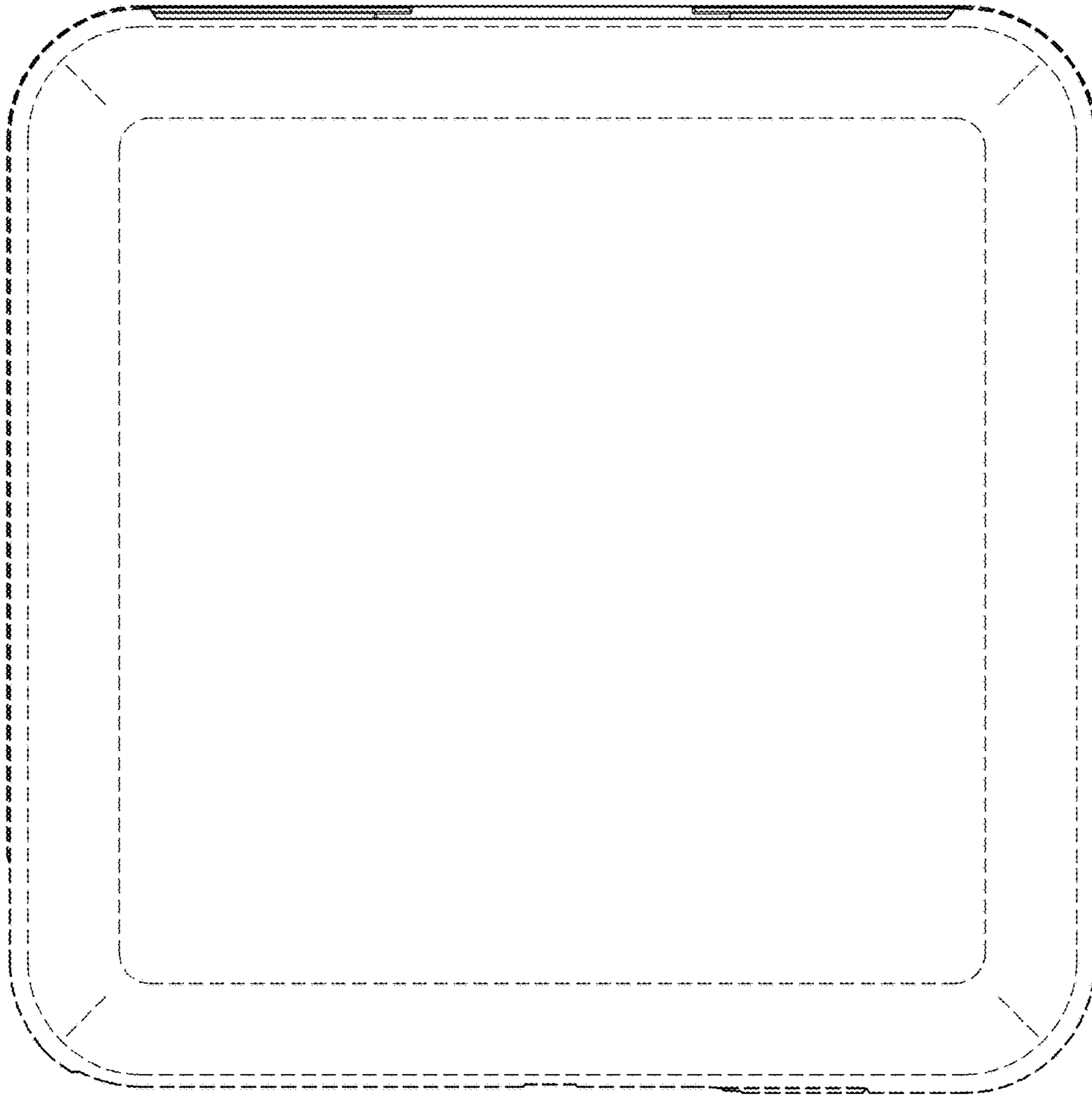


Fig. 10

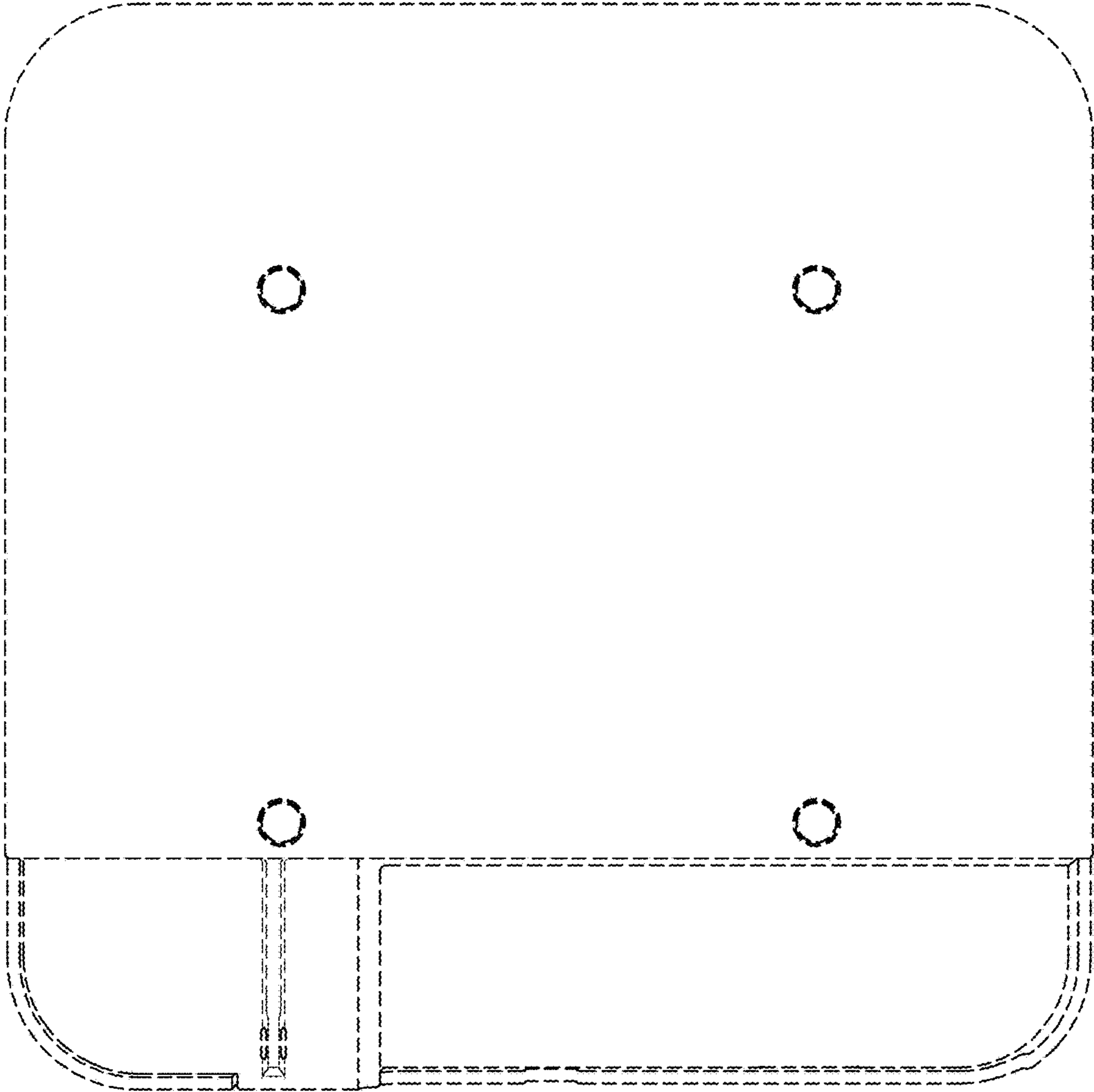


Fig. 11