



US00D808544S

(12) **United States Design Patent**
Maydew

(10) **Patent No.:** **US D808,544 S**
(45) **Date of Patent:** **** Jan. 23, 2018**

- (54) **BARRICADE COMPONENT**
- (71) Applicant: **Karablok Holdings Limited**, Powys (GB)
- (72) Inventor: **Nigel Francis Maydew**, Cirencester (GB)
- (73) Assignee: **KARABLOK HOLDINGS LIMITED**, Powys (GB)
- (**) Term: **15 Years**
- (21) Appl. No.: **29/562,250**
- (22) Filed: **Apr. 25, 2016**
- (51) **LOC (11) Cl.** **25-01**
- (52) **U.S. Cl.**
USPC **D25/114**
- (58) **Field of Classification Search**
USPC D21/484-491, 499-504; D25/103, D25/113-118; 29/525.08; 256/25; 264/35
CPC F41H 11/08; E04H 17/16; E04H 17/18; E01F 13/12; E01F 15/025; E01F 15/083; E01F 15/086; E04C 1/395; E04B 2002/0204; E04B 2002/0263
See application file for complete search history.

D386,265 S * 11/1997 Ellington D25/113
D396,901 S * 8/1998 von Langsdorff D25/113
D600,359 S * 9/2009 King D25/113
(Continued)

FOREIGN PATENT DOCUMENTS

EM 000305610-0004 * 4/2005
GB 2492773 A 1/2013
(Continued)

OTHER PUBLICATIONS

<https://www.youtube.com/watch?v=NpVN3Wp4dlo> Posted Oct. 14, 2016.*

Primary Examiner — Susan Bennett Hattan
Assistant Examiner — Leanne Was-Englehart
(74) *Attorney, Agent, or Firm* — Pyprus Pte Ltd

(57) **CLAIM**

The ornamental design for a barricade component, as shown and described.

DESCRIPTION

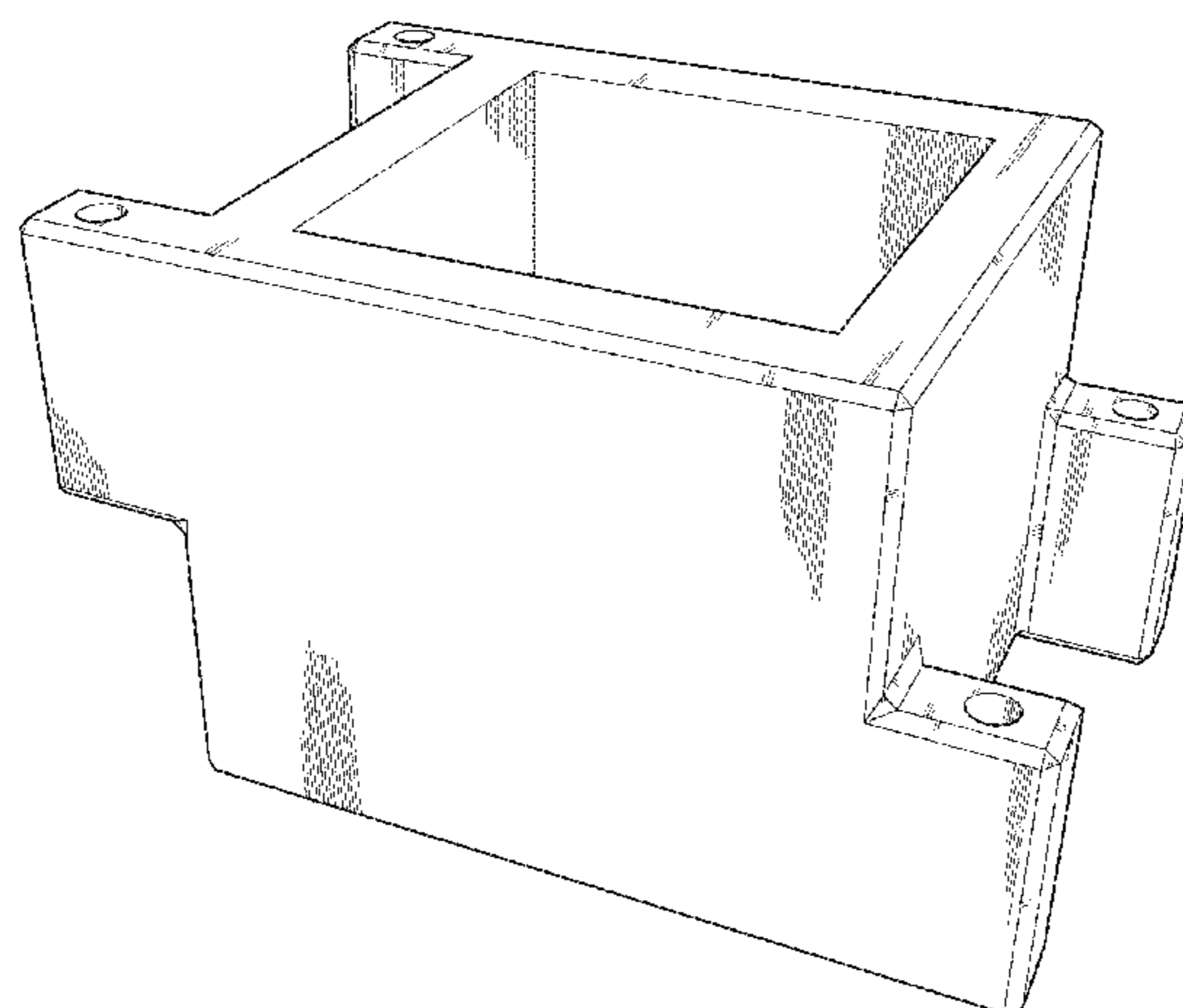
FIG. 1 is a side view from the left of the barricade component of our new design;
FIG. 2 is a side view from the right of the barricade component, as shown in FIG. 1;
FIG. 3 is a rear view of the barricade component, as shown in FIG. 1;
FIG. 4 is a front view of the barricade component, as shown in FIG. 1;
FIG. 5 is an underside view of the barricade component, as shown in FIG. 1;
FIG. 6 is a top view of the barricade component, as shown in FIG. 1;
FIG. 7 is a perspective top view from the left of the barricade component, as shown in FIG. 1; and,
FIG. 8 is a perspective top view from the right of the barricade component, as shown in FIG. 1.

1 Claim, 8 Drawing Sheets

(56) **References Cited**

U.S. PATENT DOCUMENTS

- 338,490 A * 3/1886 Cowan E04C 1/395 52/566
- 542,098 A * 7/1895 Nichols E04F 13/04 52/342
- 3,546,792 A * 12/1970 Sherman A63H 33/088 273/160
- D326,530 S * 5/1992 Lewis D25/113
- D326,531 S * 5/1992 Lewis D25/113
- 5,156,485 A 10/1992 Ivey et al.
- 5,425,594 A 6/1995 Krage et al.
- 5,651,635 A 7/1997 Nagle



(56)

References Cited

U.S. PATENT DOCUMENTS

D600,821 S * 9/2009 Esterhuizen E04B 2/18
D25/113
8,291,669 B2 * 10/2012 Karau E04C 1/395
52/569
D674,116 S * 1/2013 Thomassen D25/113
2008/0118305 A1 5/2008 Carey
2010/0014914 A1 1/2010 Kulp et al.
2016/0054102 A1 * 2/2016 Maydew E01F 13/12
256/25

FOREIGN PATENT DOCUMENTS

WO WO2012140651 A 10/2012
WO WO2014108661 A 7/2014

* cited by examiner

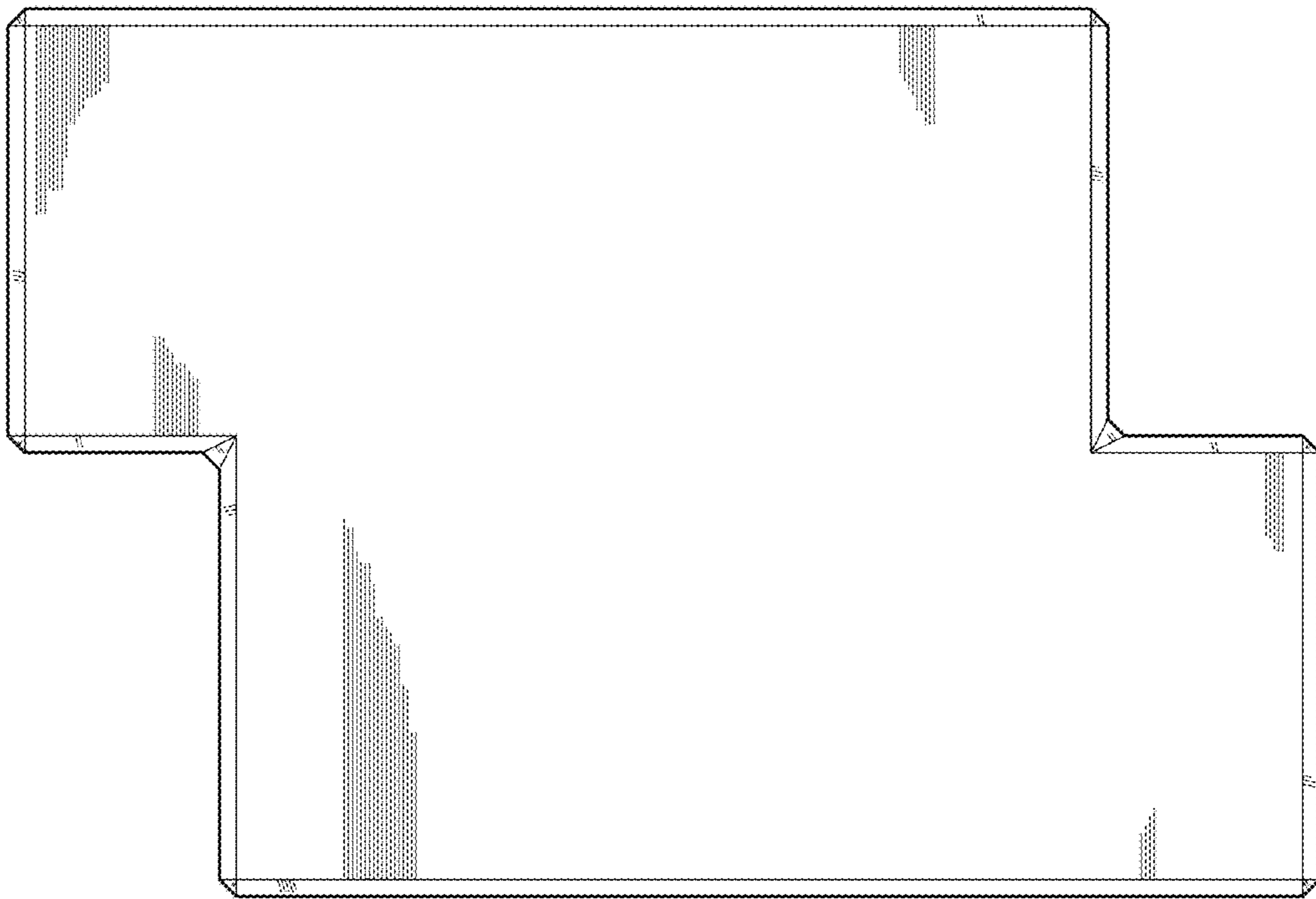


FIG. 1

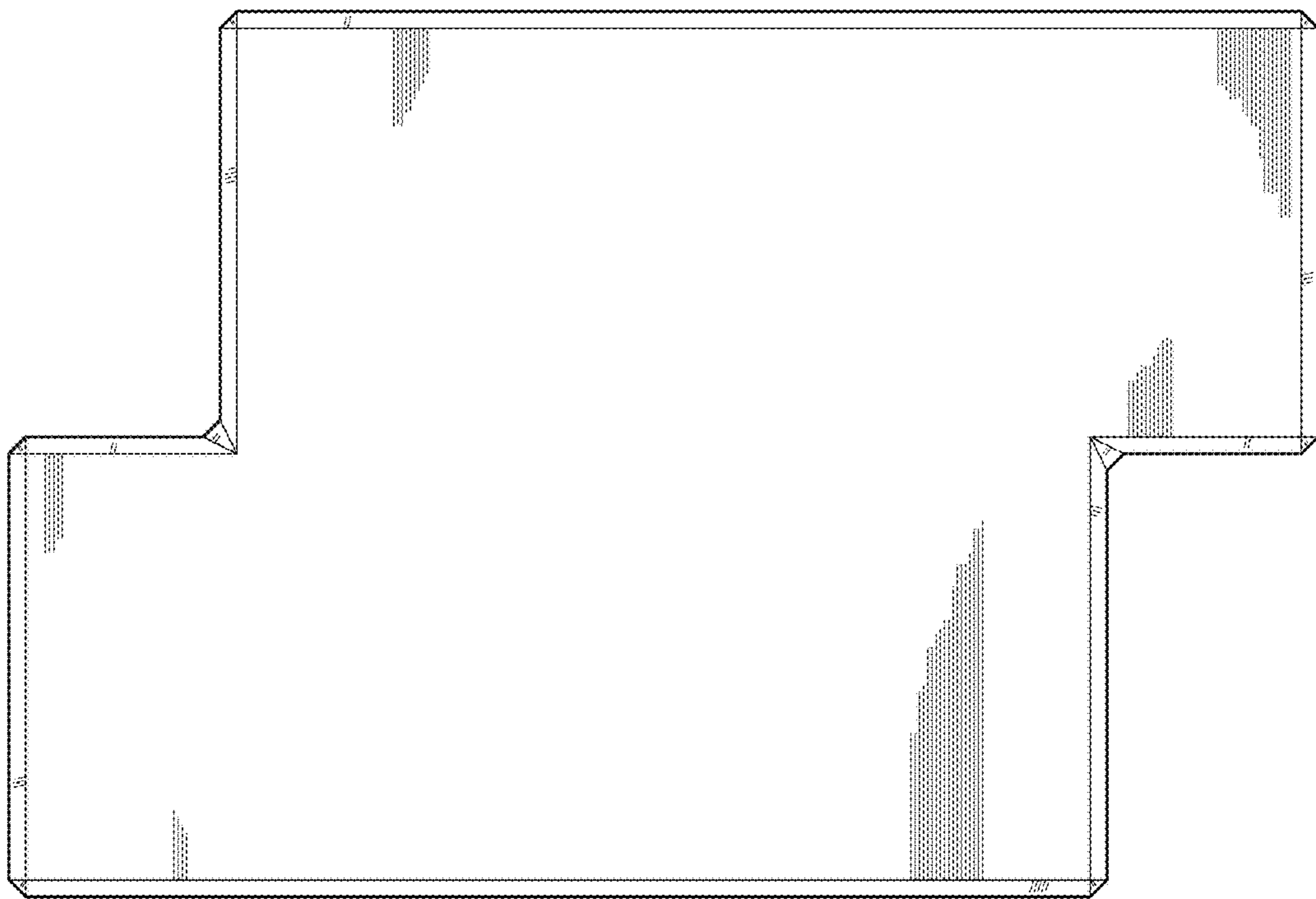


FIG. 2

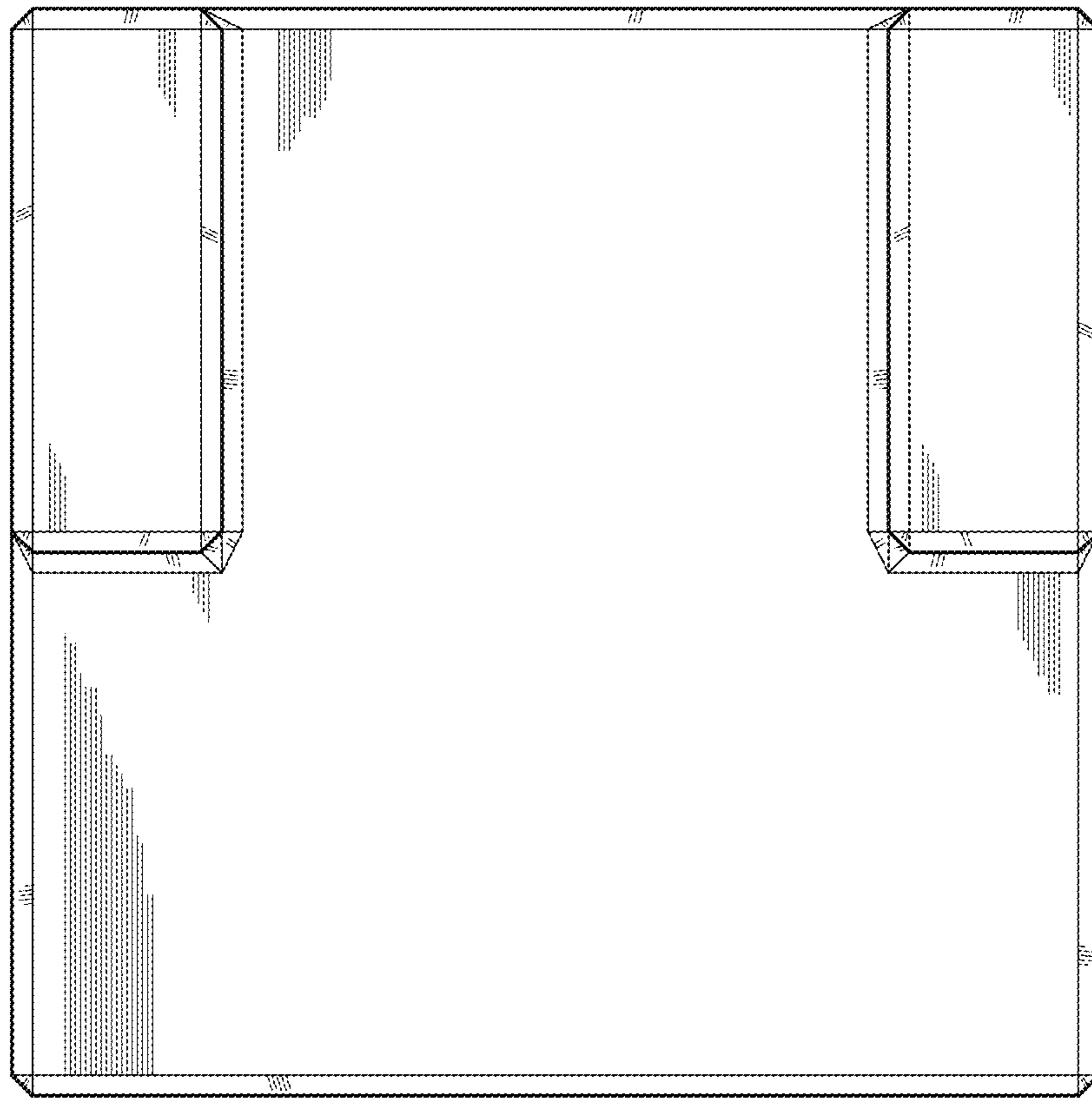


FIG. 3

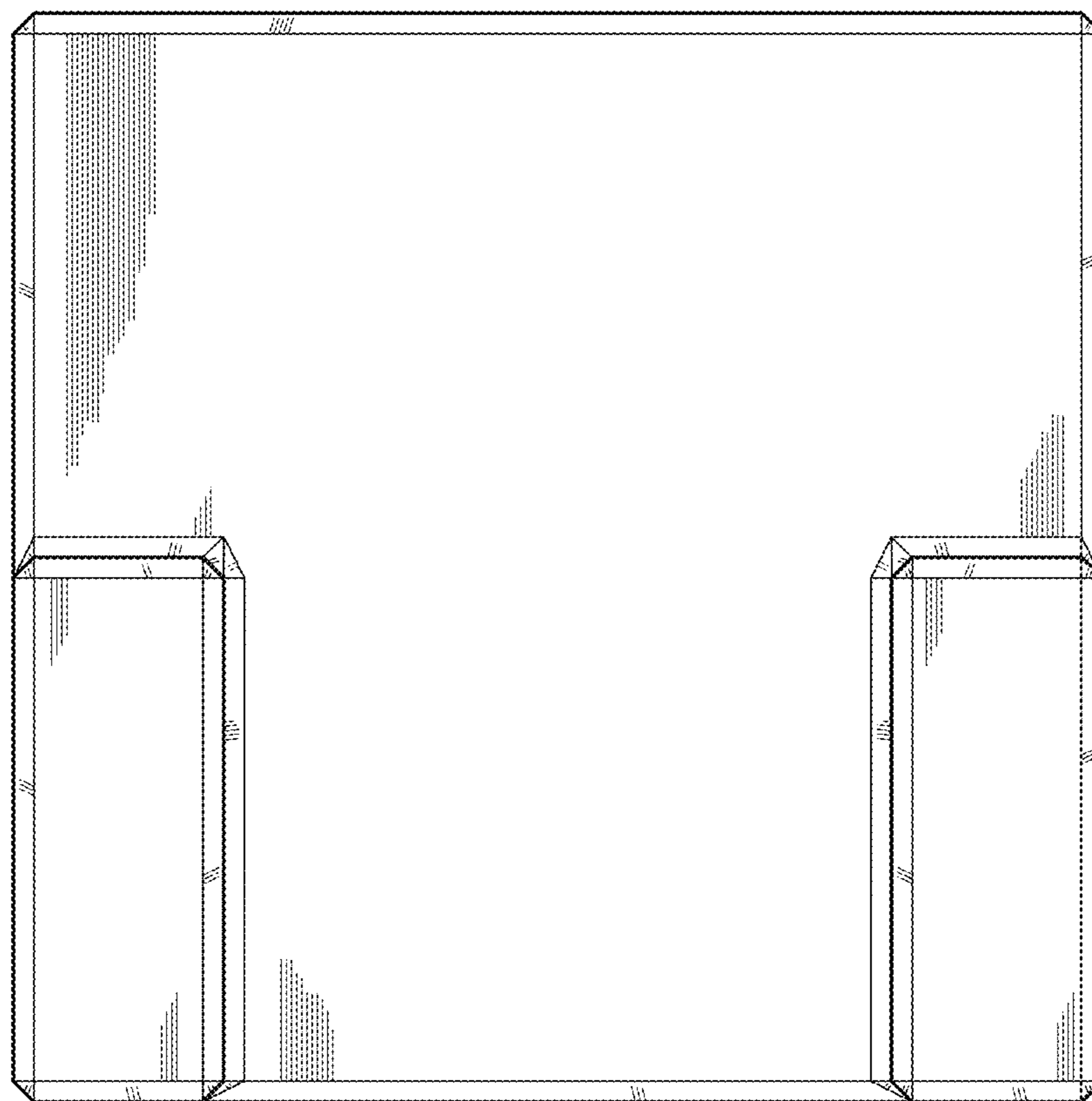


FIG. 4

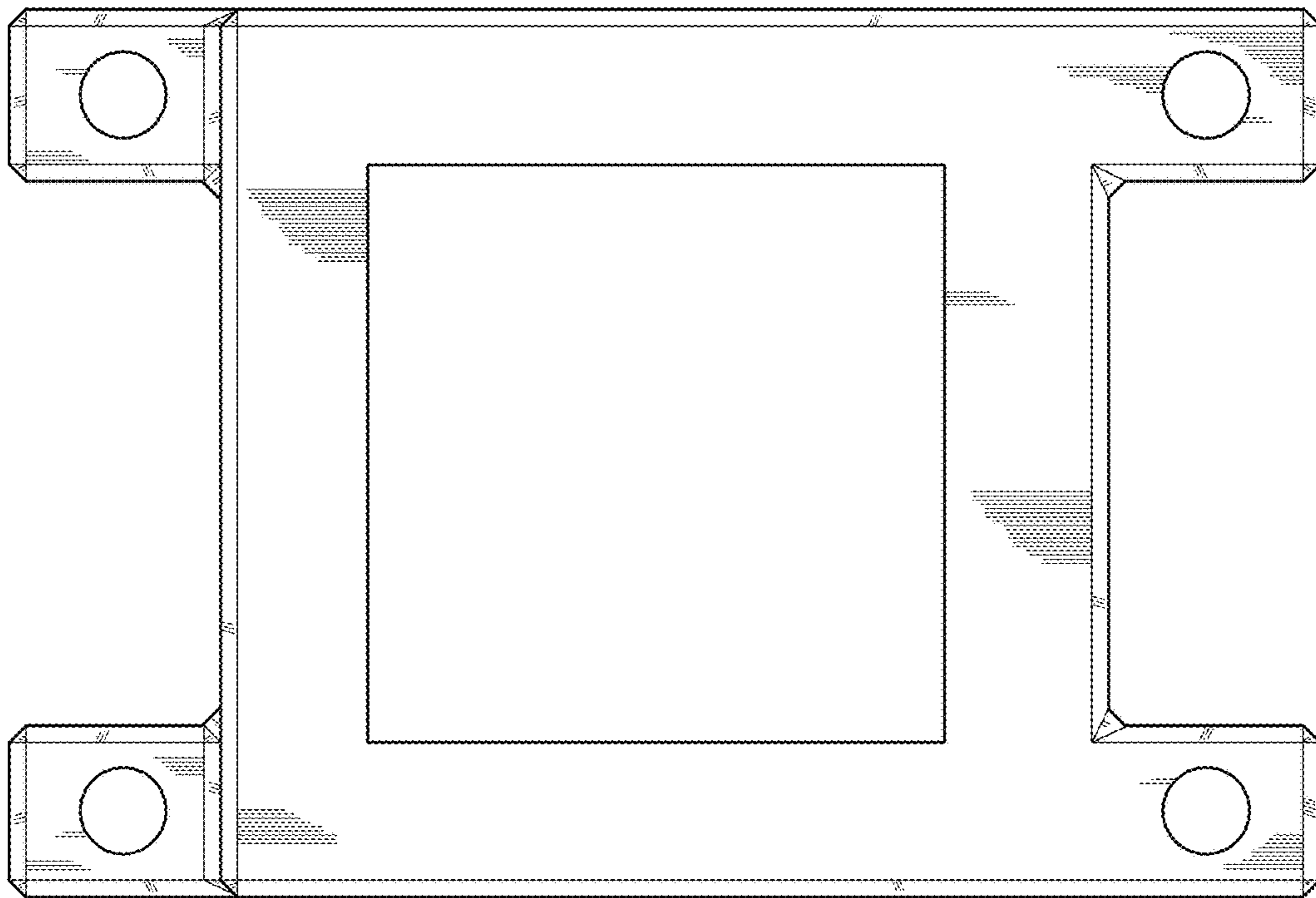


FIG. 5

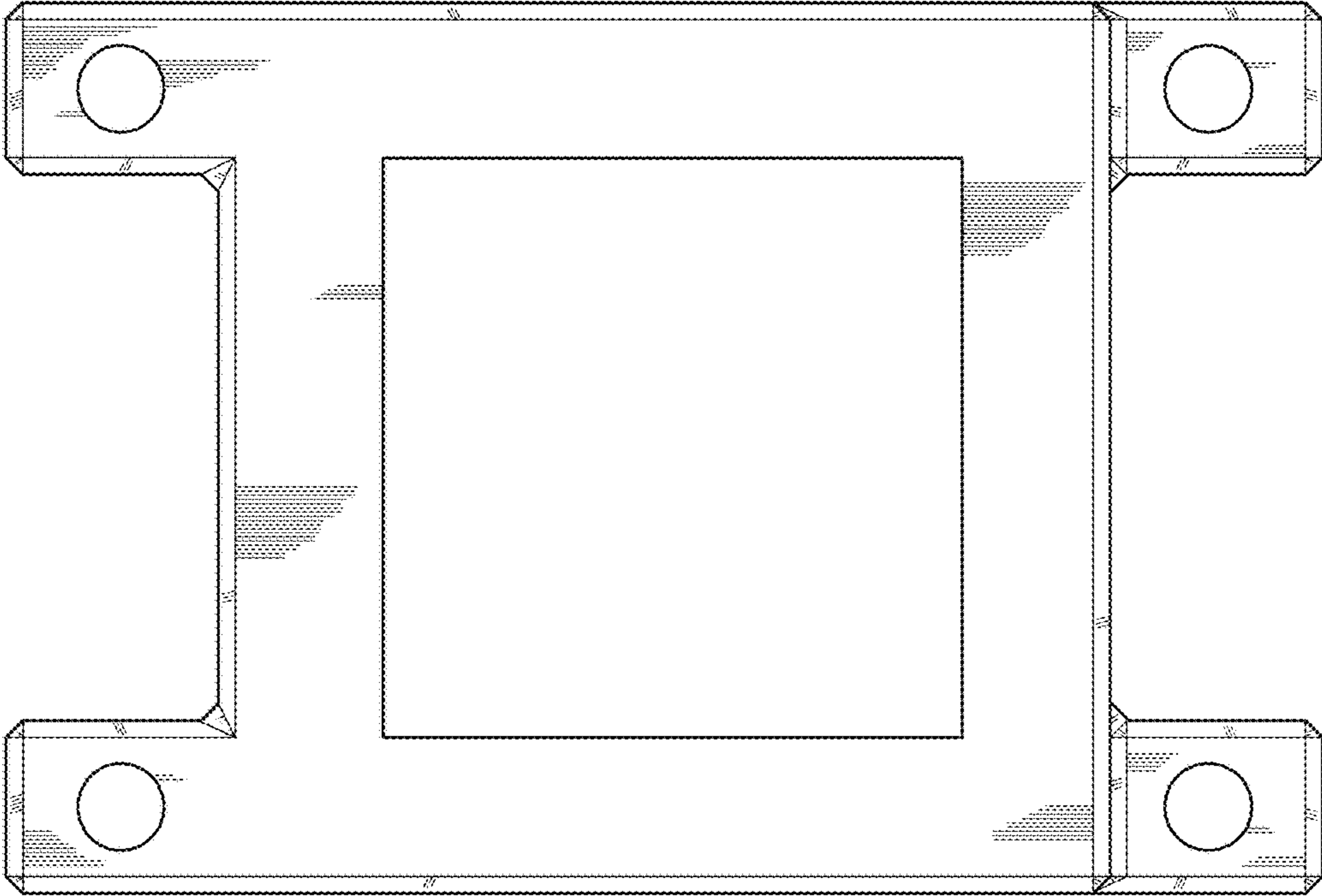


FIG. 6

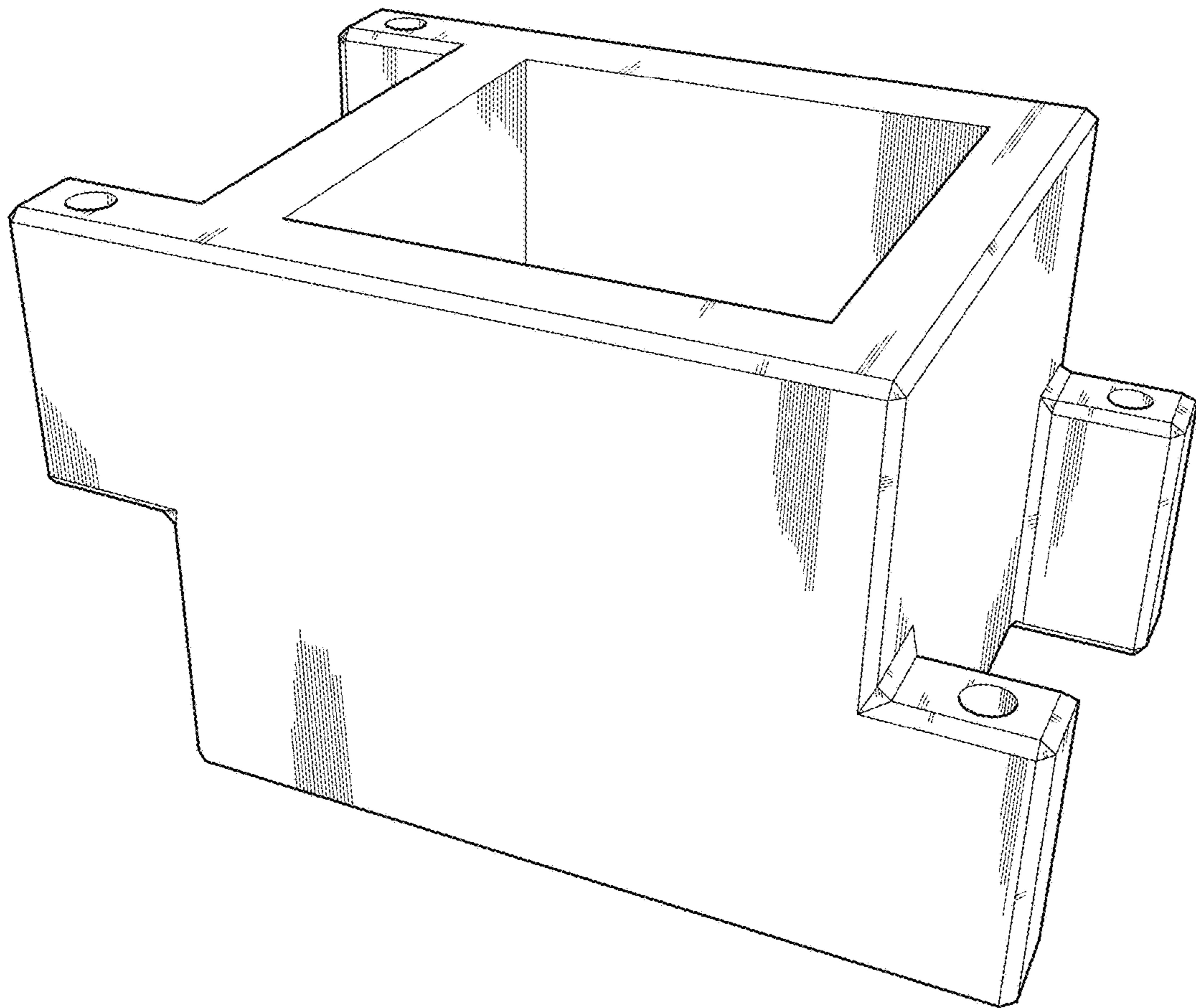


FIG. 7

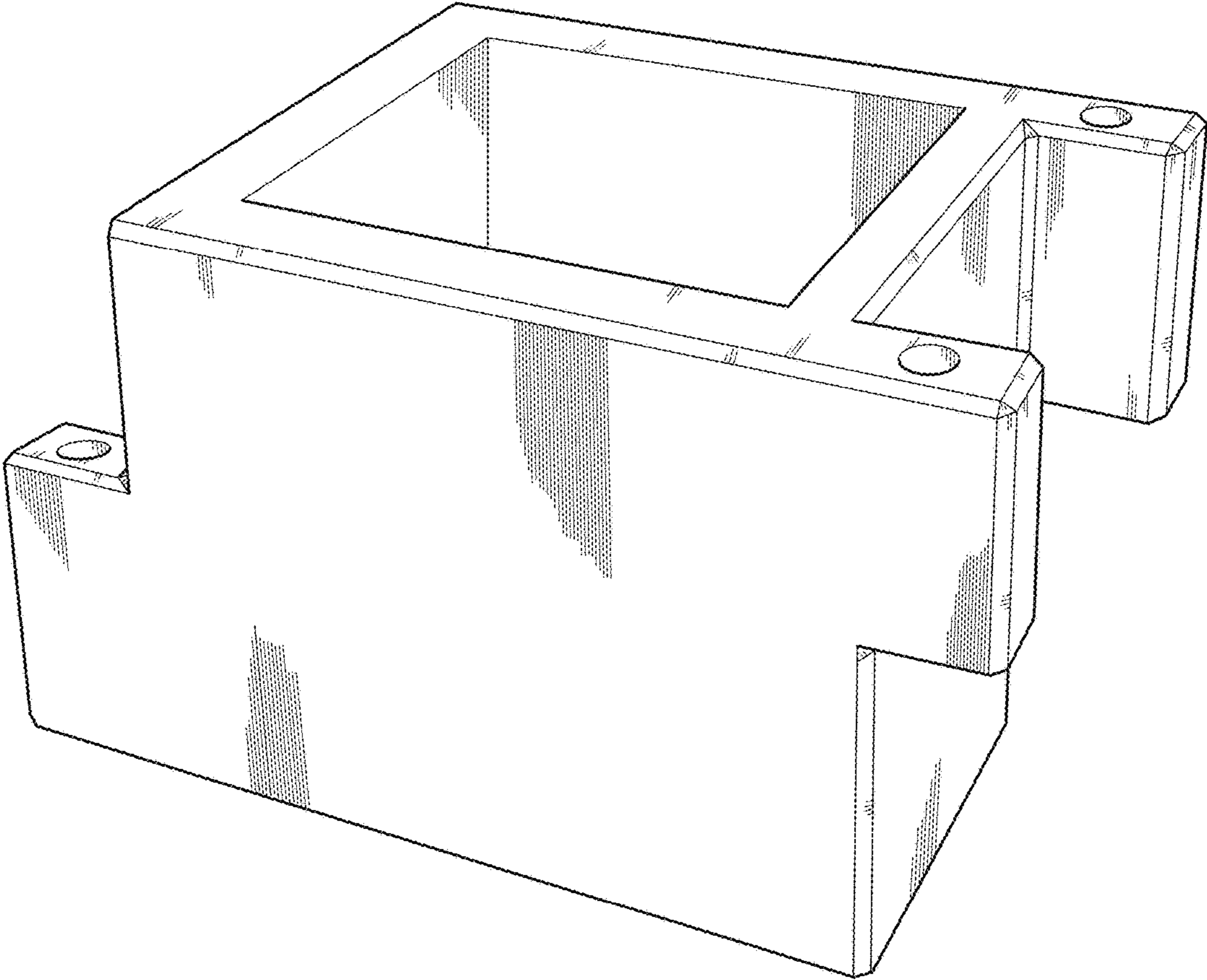


FIG. 8

UNITED STATES PATENT AND TRADEMARK OFFICE
CERTIFICATE OF CORRECTION

PATENT NO. : D808,544 S
APPLICATION NO. : 29/562250
DATED : January 23, 2018
INVENTOR(S) : Nigel Francis Maydew

Page 1 of 1

It is certified that error appears in the above-identified patent and that said Letters Patent is hereby corrected as shown below:

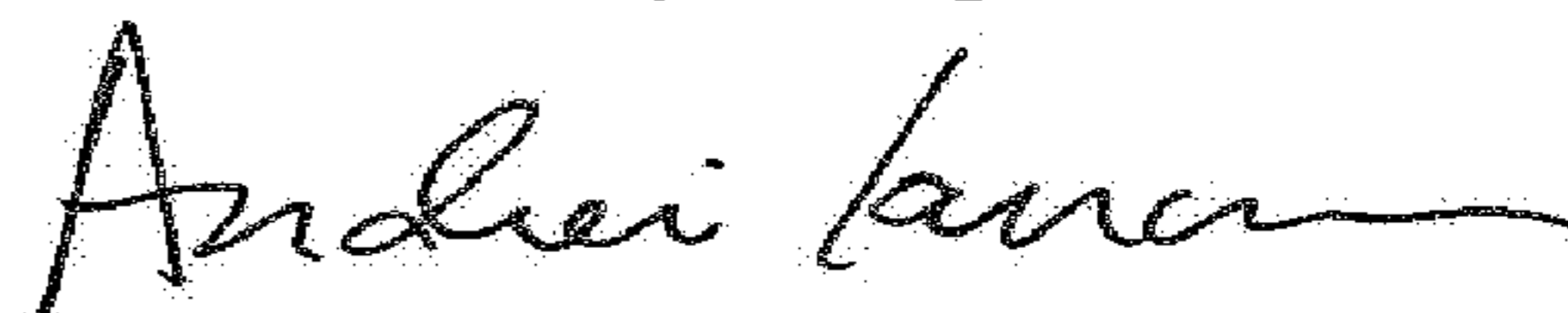
On the Title Page

Insert between items (22) and (51):

--(30) Foreign Application Priority Data

Apr. 6, 2016 (EM).....003057488-0001--

Signed and Sealed this
Tenth Day of April, 2018



Andrei Iancu

Director of the United States Patent and Trademark Office