



US00D808543S

(12) **United States Design Patent**  
**Hill**

(10) **Patent No.:** **US D808,543 S**

(45) **Date of Patent:** **\*\* Jan. 23, 2018**

(54) **CAST STONE**  
(71) Applicant: **Hill Innovations B.V.**, Rotterdam (NL)  
(72) Inventor: **Hans Hill**, Rotterdam (NL)  
(73) Assignee: **HILL INNOVATIONS B.V.**, Rotterdam (NL)

9,115,490 B2 \* 8/2015 Hill ..... E01F 8/0076  
D789,557 S \* 6/2017 Kim ..... D25/113  
2007/0131424 A1 \* 6/2007 Fripp ..... C09K 8/80  
166/280.2  
2013/0031852 A1 \* 2/2013 Hill ..... E01F 8/0076  
52/144  
2016/0160462 A1 \* 6/2016 Hill ..... E02B 3/14  
405/116

(\*\*) Term: **15 Years**

(21) Appl. No.: **29/586,145**

(22) Filed: **Dec. 1, 2016**

(30) **Foreign Application Priority Data**

Jun. 1, 2016 (EM) ..... 003166099-0001

(51) **LOC (11) Cl.** ..... **25-02**

(52) **U.S. Cl.**  
USPC ..... **D25/113**

(58) **Field of Classification Search**  
USPC ..... D13/100; D21/484-486, 499, 500-502;  
D25/112, 113, 115, 118, 138, 157-162  
CPC ..... E02B 3/06; E02B 3/10; E02B 3/14; E02B  
3/127; E02B 3/129; C09K 8/80; E21B  
43/267; E01F 8/0076  
See application file for complete search history.

(56) **References Cited**

**U.S. PATENT DOCUMENTS**

3,636,713 A \* 1/1972 O'Neill ..... E02B 3/129  
405/29  
3,856,309 A \* 12/1974 Helfgott ..... A63F 3/00697  
273/288  
D344,349 S \* 2/1994 Ohta ..... D25/113  
5,441,362 A \* 8/1995 Melby ..... E02B 3/129  
405/16  
D722,389 S \* 2/2015 Armon ..... D25/113

**FOREIGN PATENT DOCUMENTS**

JP D1089559 \* 10/2000  
JP D1109937 \* 5/2001

**OTHER PUBLICATIONS**

<https://www.betterworldsolutions.eu/the-new-dike-pillar-from-hillblock/> uploaded Nov. 2014 (Year: 2014).\*

\* cited by examiner

*Primary Examiner* — Susan Bennett Hattan  
*Assistant Examiner* — Leanne Was-Englehart  
(74) *Attorney, Agent, or Firm* — Abelman, Frayne & Schwab

(57) **CLAIM**

The ornamental design for a cast stone, as shown and described.

**DESCRIPTION**

FIG. 1 is a top, front, and left side perspective view of a cast stone, according to the present invention;  
FIG. 2 is a left side view thereof, the right side view being identical to the left side view;  
FIG. 3 is a front view thereof, the rear view being identical to the front view;  
FIG. 4 is a bottom, rear, and right side perspective view thereof;  
FIG. 5 is a top view thereof; and,  
FIG. 6 is a bottom view thereof.

**1 Claim, 6 Drawing Sheets**

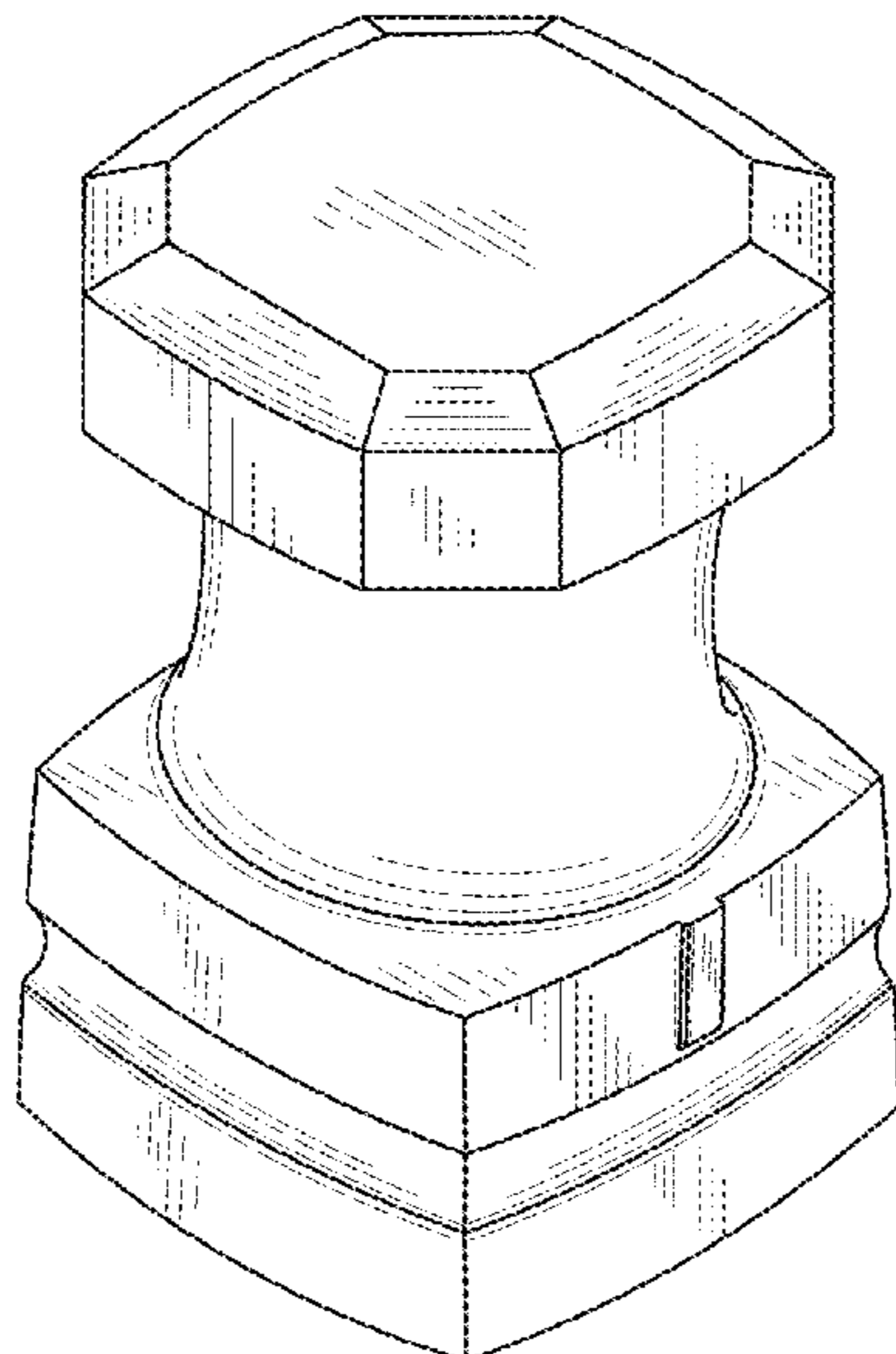


FIG. 1

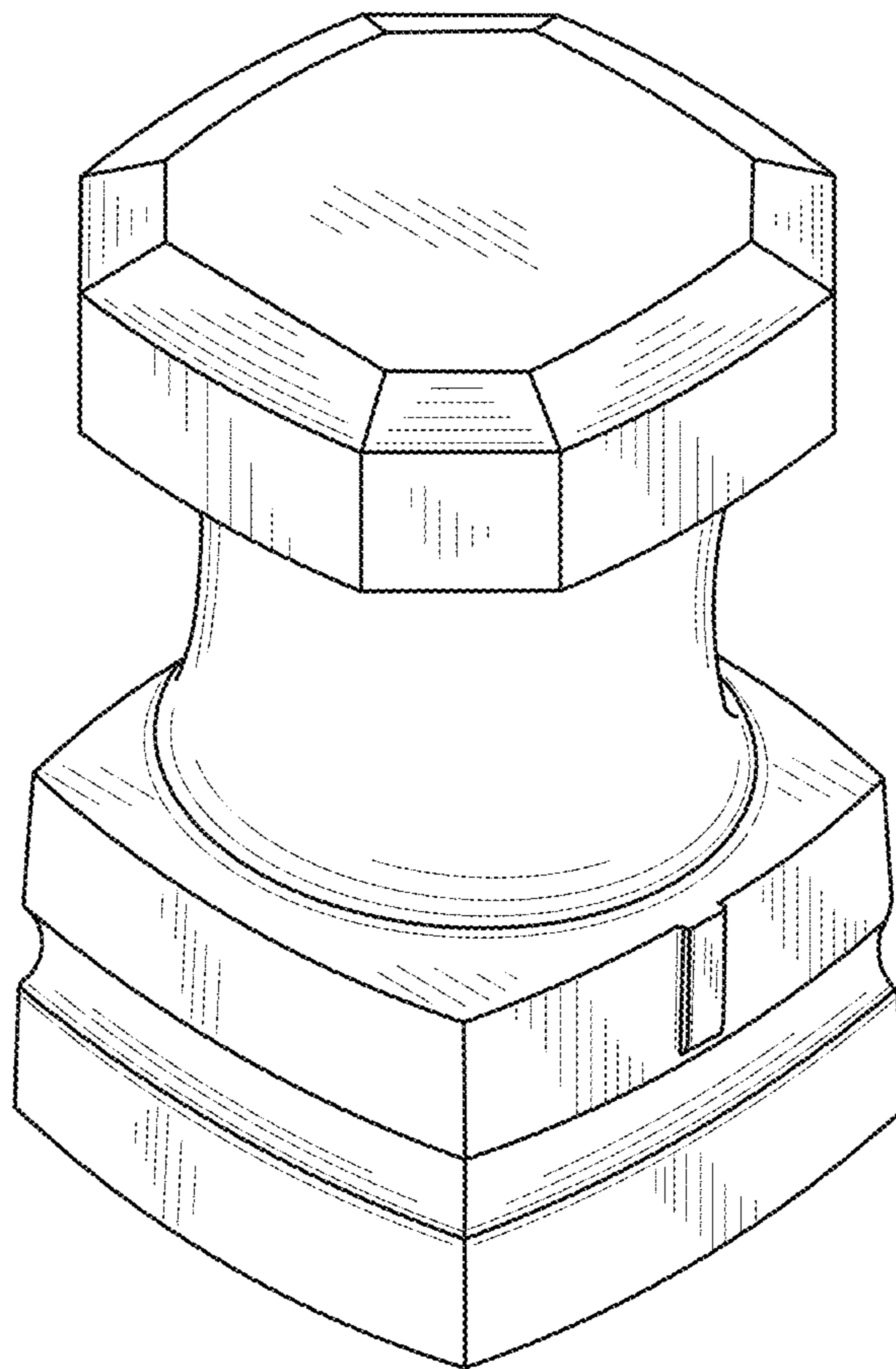


FIG. 2

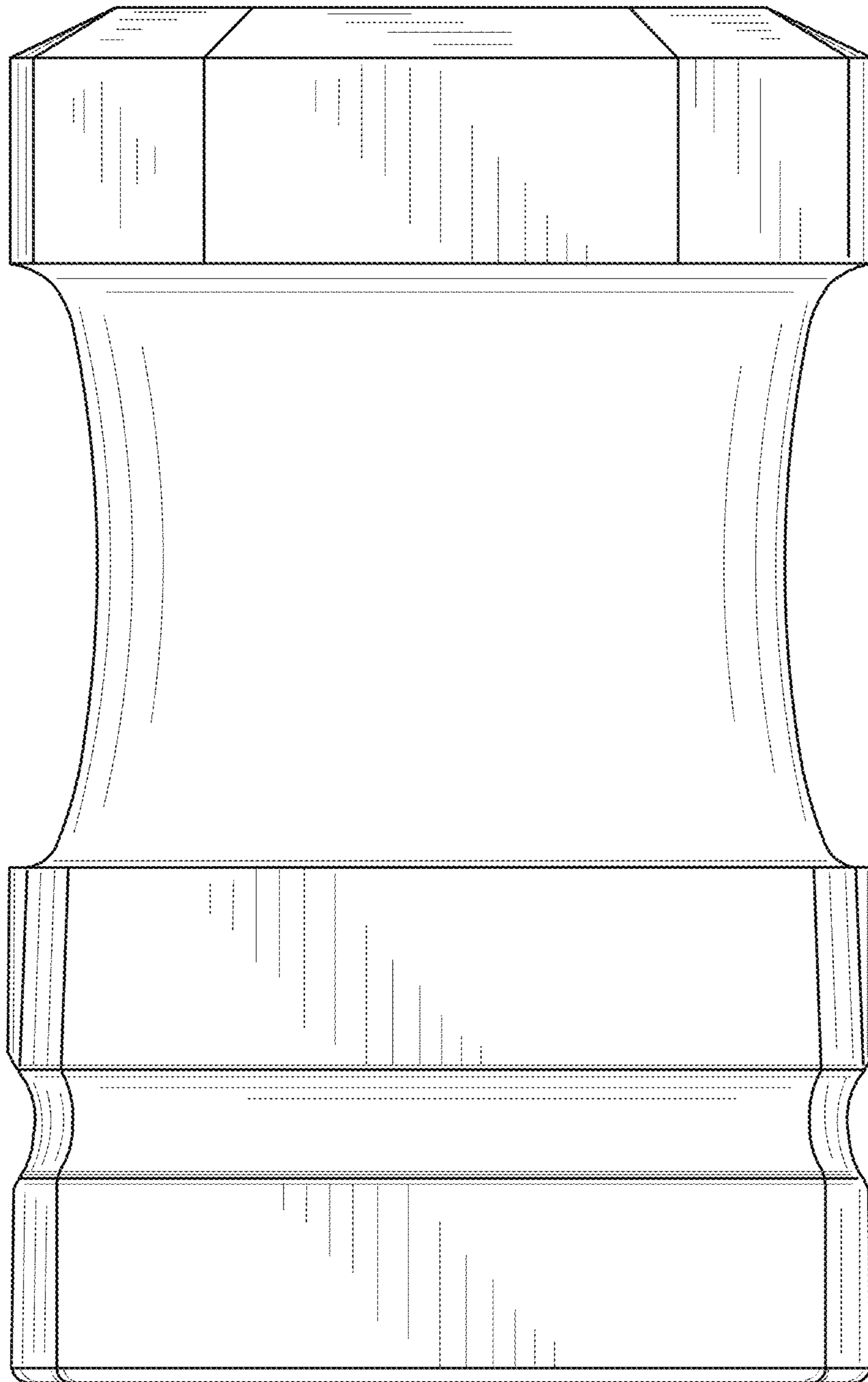


FIG. 3

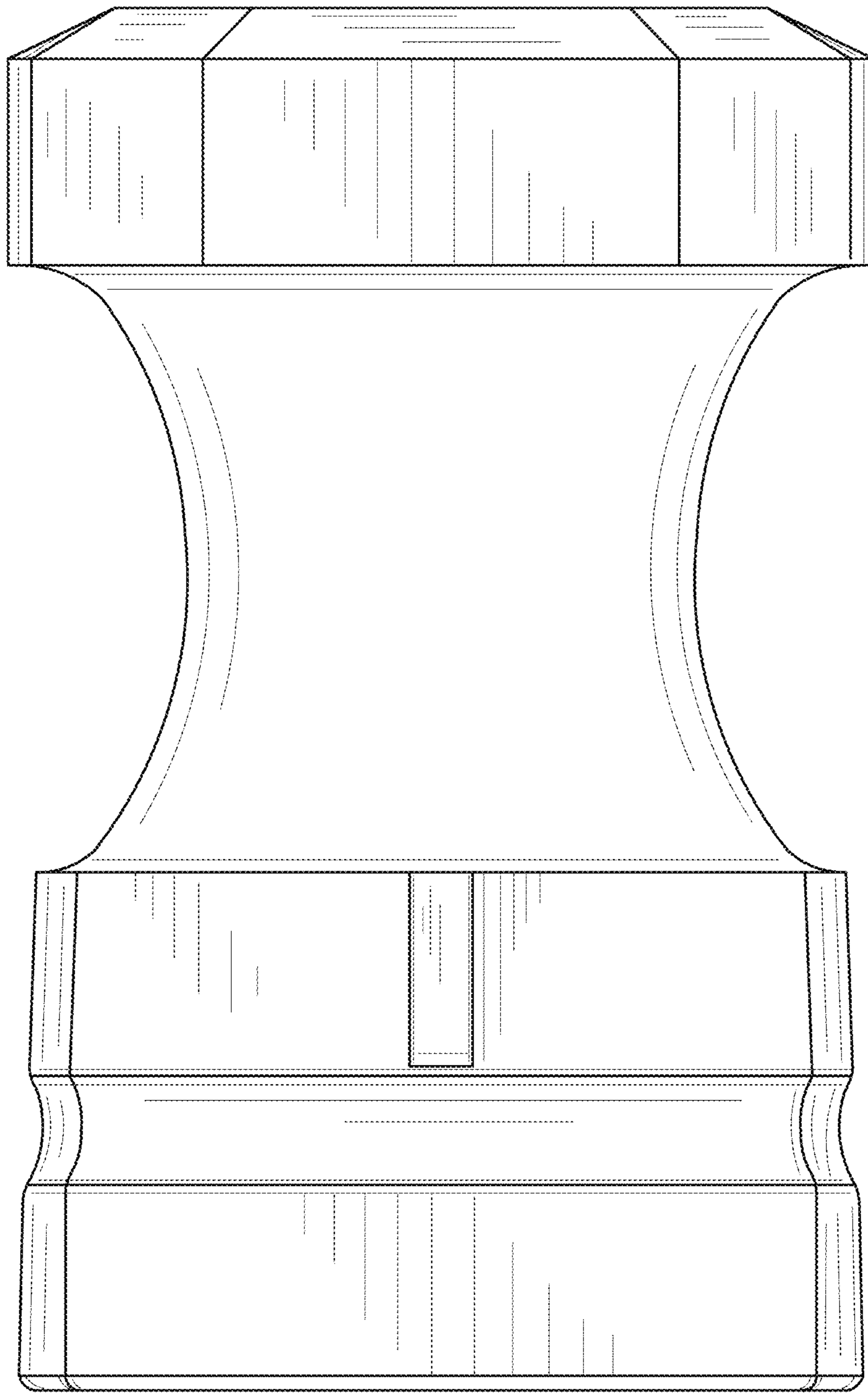


FIG. 4

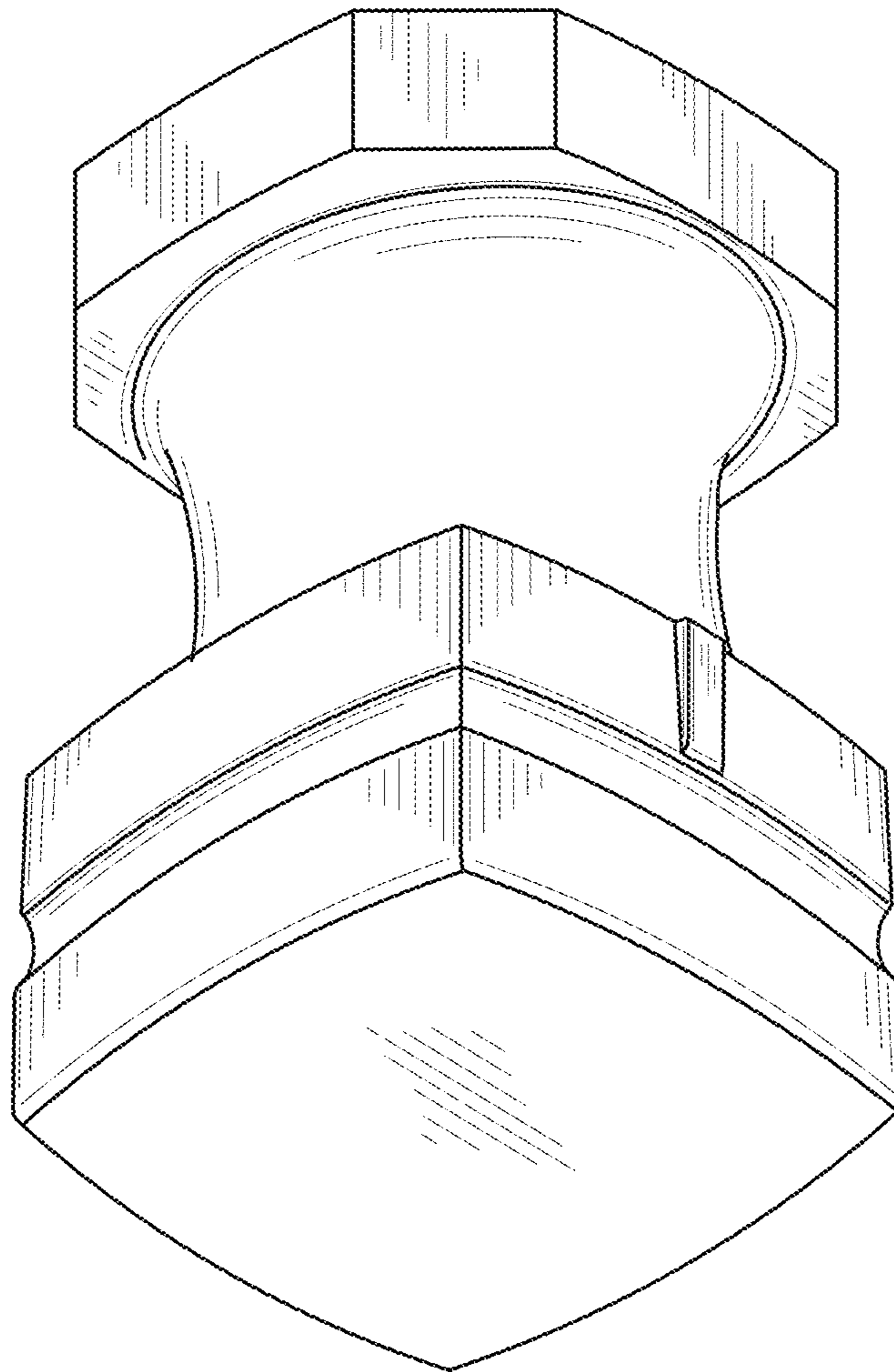




FIG. 5

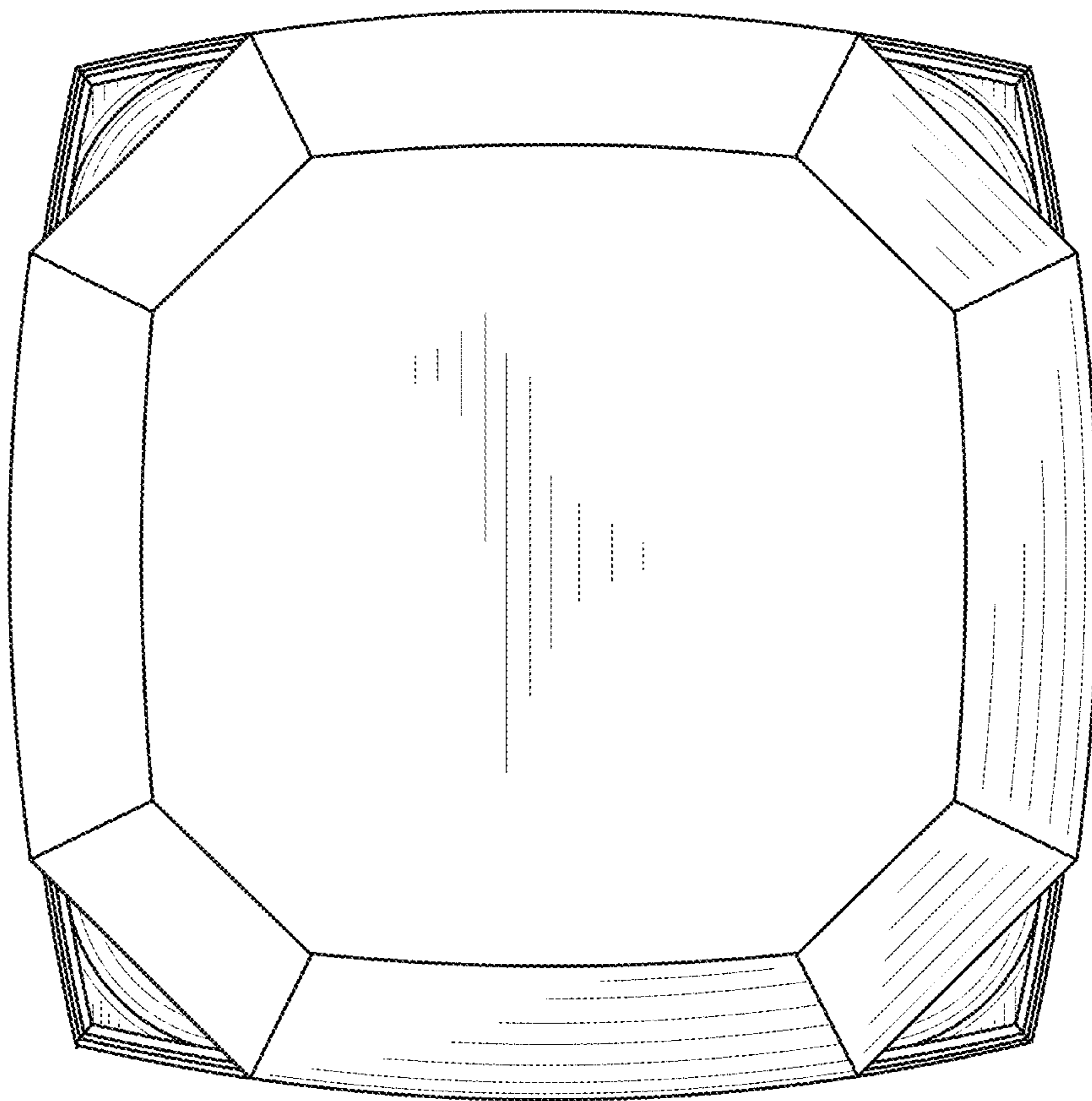


FIG. 6

