



US00D808537S

(12) **United States Design Patent** (10) **Patent No.:** **US D808,537 S**
Laico, MD (45) **Date of Patent:** **** Jan. 23, 2018**

(54) **THUMB RING**
(71) Applicant: **Orthopedic Surgical Supplies, LLC**,
Wilmington, DE (US)
(72) Inventor: **Joseph P. Laico, MD**, New City, NY
(US)
(73) Assignee: **Orthopedic Surgical Supplies, Inc.**,
Wilmington, DE (US)
(**) Term: **15 Years**
(21) Appl. No.: **29/608,446**
(22) Filed: **Jun. 21, 2017**

(56) **References Cited**
U.S. PATENT DOCUMENTS
1,578,627 A 3/1926 Baumgarten
3,826,252 A 7/1974 Laico
4,409,972 A * 10/1983 Prah A61F 13/041
602/11
4,532,922 A * 8/1985 Golyakhovsky A61F 13/041
602/11
D310,738 S * 9/1990 Brown D28/44.1
5,180,359 A * 1/1993 Dedo A61F 13/041
602/20
D373,639 S * 9/1996 McKie D24/190
D383,410 S * 9/1997 Roemer D11/26
D405,180 S * 2/1999 Reina D24/190
D424,966 S * 5/2000 Ofiesh, II D11/26
6,058,517 A 5/2000 Hartunian
D448,699 S 10/2001 Pasquetti
D517,796 S * 3/2006 Storm D3/29
(Continued)

Related U.S. Application Data

(62) Division of application No. 29/540,466, filed on Sep.
24, 2015, now Pat. No. Des. 792,598.
(51) **LOC (11) Cl.** **24-04**
(52) **U.S. Cl.**
USPC **D24/190**
(58) **Field of Classification Search**
USPC D11/3-5, 26-43, 45, 79, 89-92; D7/633;
D8/354, 356, 397, 399; D6/546, 595,
D6/615, 616, 633; D24/171, 190, 191,
D24/193
CPC .. A44C 5/00; A44C 7/00; A44C 7/002; A44C
7/004; A44C 9/00; A44C 9/0007; A44C
9/0015; A44C 9/0023; A44C 9/003; A44C
9/0038; A44C 9/0046; A44C 9/0053;
A44C 9/0061; A44C 9/0069; A44C
9/0076; A44C 15/001; A44C 17/02; A44C
17/0208; A44C 17/0216; A44C 17/0225;
A44C 17/0233; A44C 17/0241; A44C
17/025; A44C 17/0258
See application file for complete search history.

OTHER PUBLICATIONS

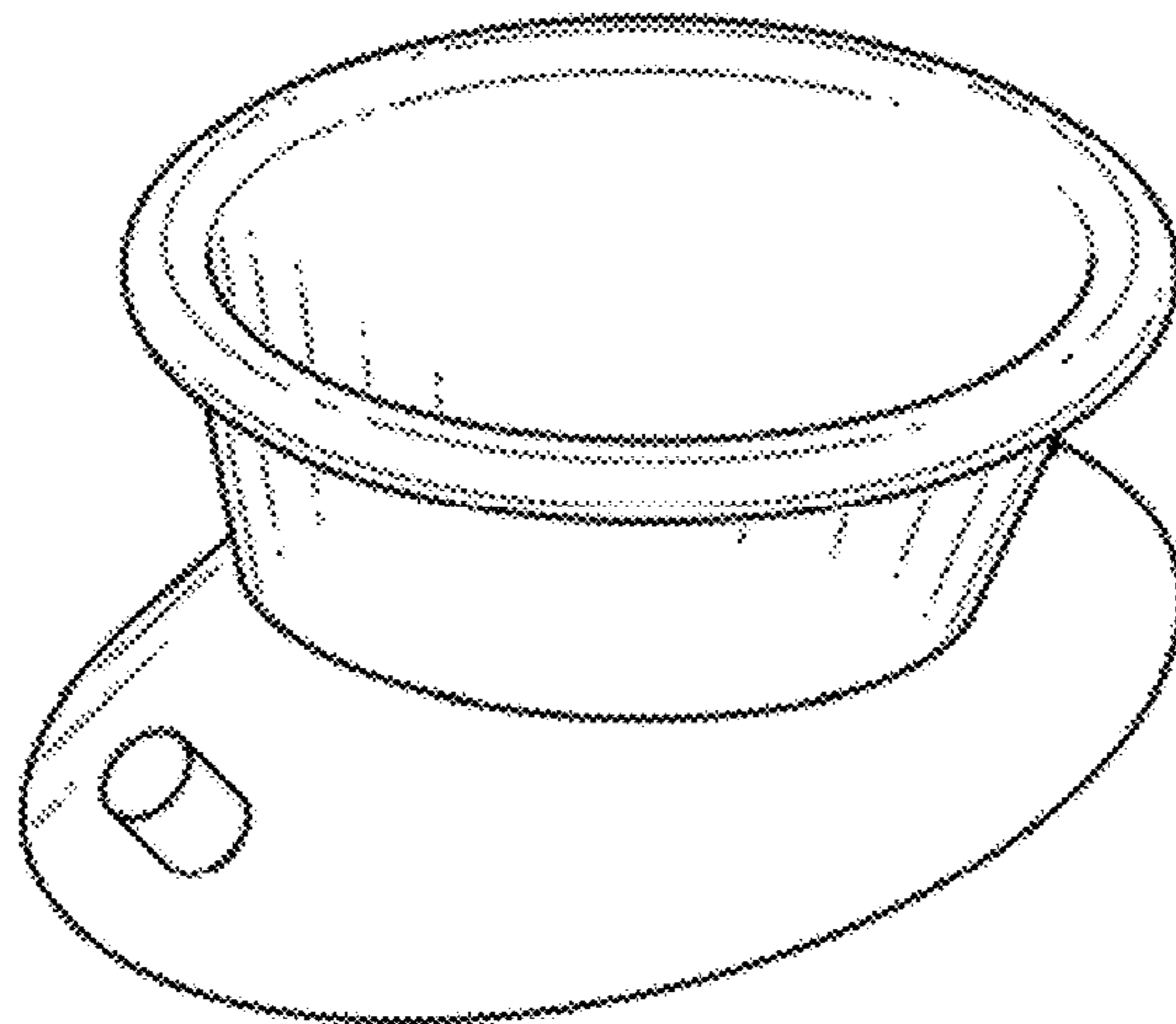
Orthopool Brochure "Cast Thumb Ring" (2 pages), (Date
Unknown).
Primary Examiner — Michael A. Pratt
Assistant Examiner — Wendy Arminio
(74) *Attorney, Agent, or Firm* — Flaster/Greenberg P.C.

(57) **CLAIM**
The ornamental design for a thumb ring, as shown and
described.

DESCRIPTION

FIG. 1 is a perspective view of a thumb ring;
FIG. 2 is a front elevational view of the thumb ring of FIG.
1;
FIG. 3 is a rear elevational view of the thumb ring of FIG.
1;
FIG. 4 is a right side view of the thumb ring of FIG. 1;
FIG. 5 is a left side view of the thumb ring of FIG. 1;
FIG. 6 is a top plan view of the thumb ring of FIG. 1; and,
FIG. 7 is a bottom plan view of the thumb ring of FIG. 1.

1 Claim, 4 Drawing Sheets



(56)

References Cited

U.S. PATENT DOCUMENTS

D551,587	S	9/2007	McKenzie	
D559,144	S *	1/2008	McKenzie	D11/26
D560,537	S	1/2008	McKenzie	
D613,638	S	4/2010	Jorst	
D618,243	S *	6/2010	Chamblin	D14/411
D632,992	S	2/2011	Kapoor	
D635,662	S *	4/2011	Waller	D24/122
D643,931	S	8/2011	Voskuilen	
D644,332	S	8/2011	Sandhu	
D663,851	S *	7/2012	Joseph	D24/190
D686,101	S	7/2013	Dailey	
8,540,544	B1	9/2013	Logue	
D705,228	S	5/2014	Peters	
D718,311	S *	11/2014	Burke	D14/411
9,293,274	B1 *	3/2016	Warinner	H01H 9/0066
D789,228	S *	6/2017	Saarela	D11/1
2003/0221450	A1	12/2003	Selinger	
2007/0214542	A1 *	9/2007	Kim	A41D 27/18 2/129
2011/0007035	A1 *	1/2011	Shai	G06F 3/014 345/179
2016/0295987	A1 *	10/2016	Boyle	A45D 29/00

* cited by examiner

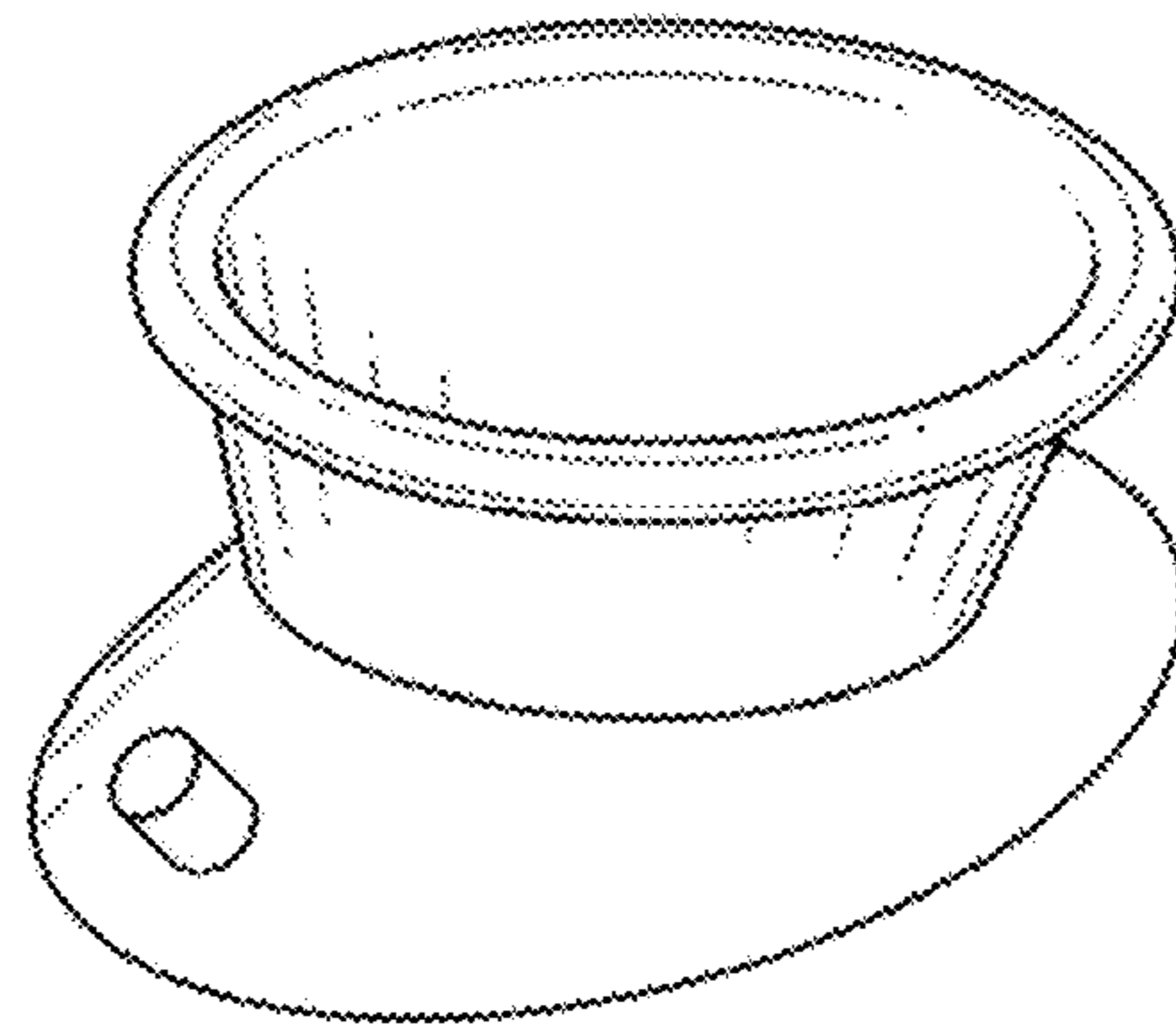


FIG. 1

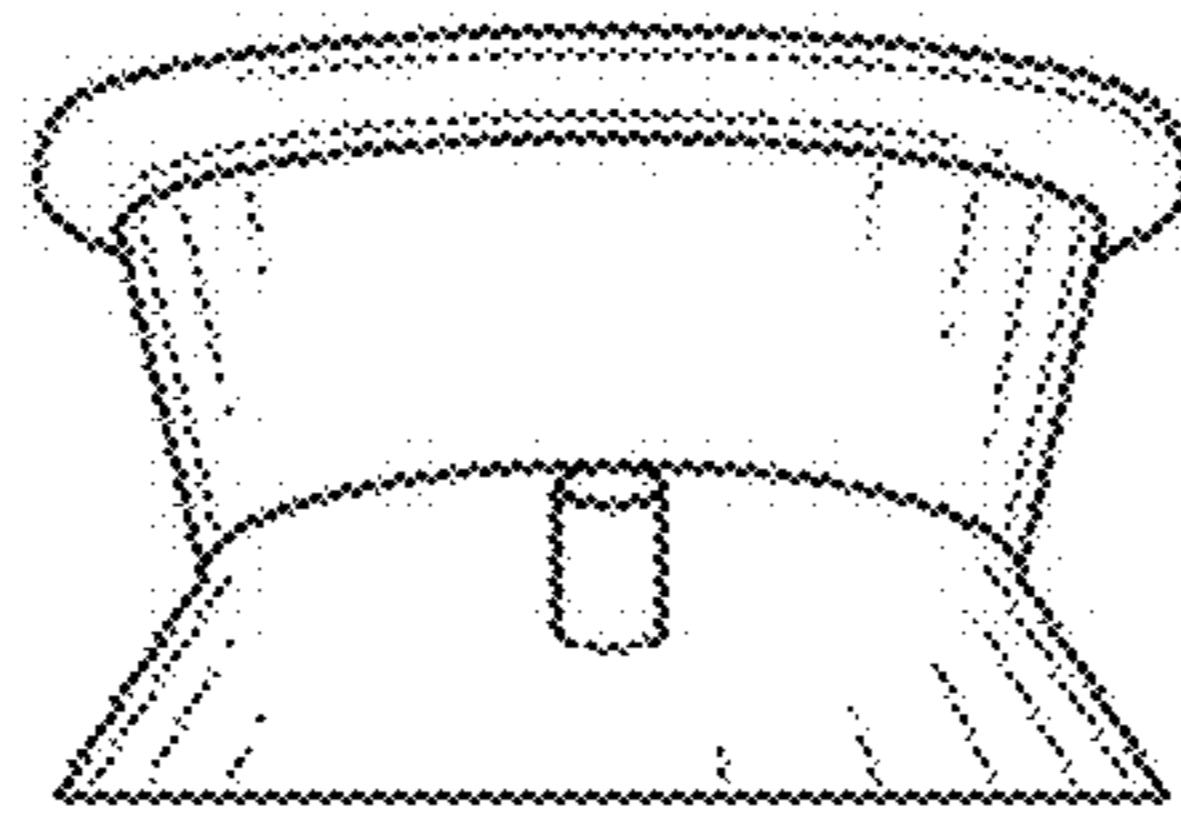


FIG. 2

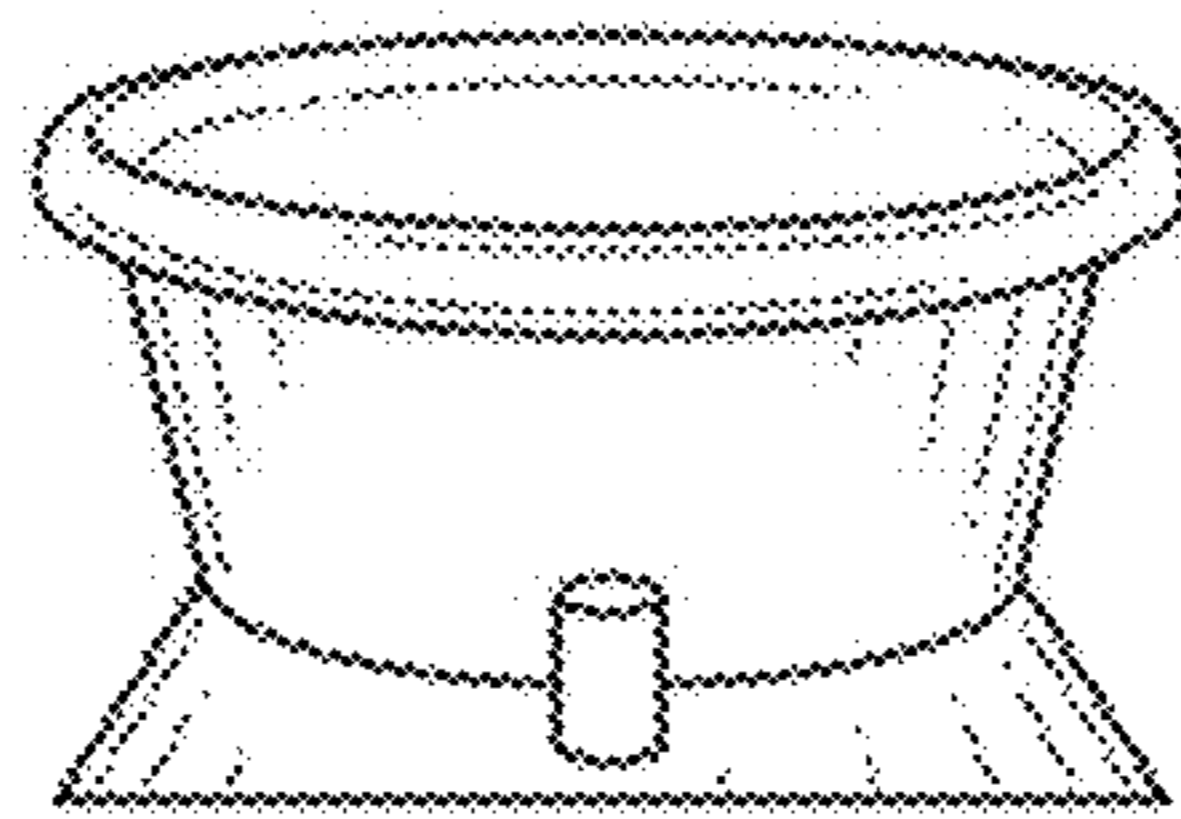


FIG. 3

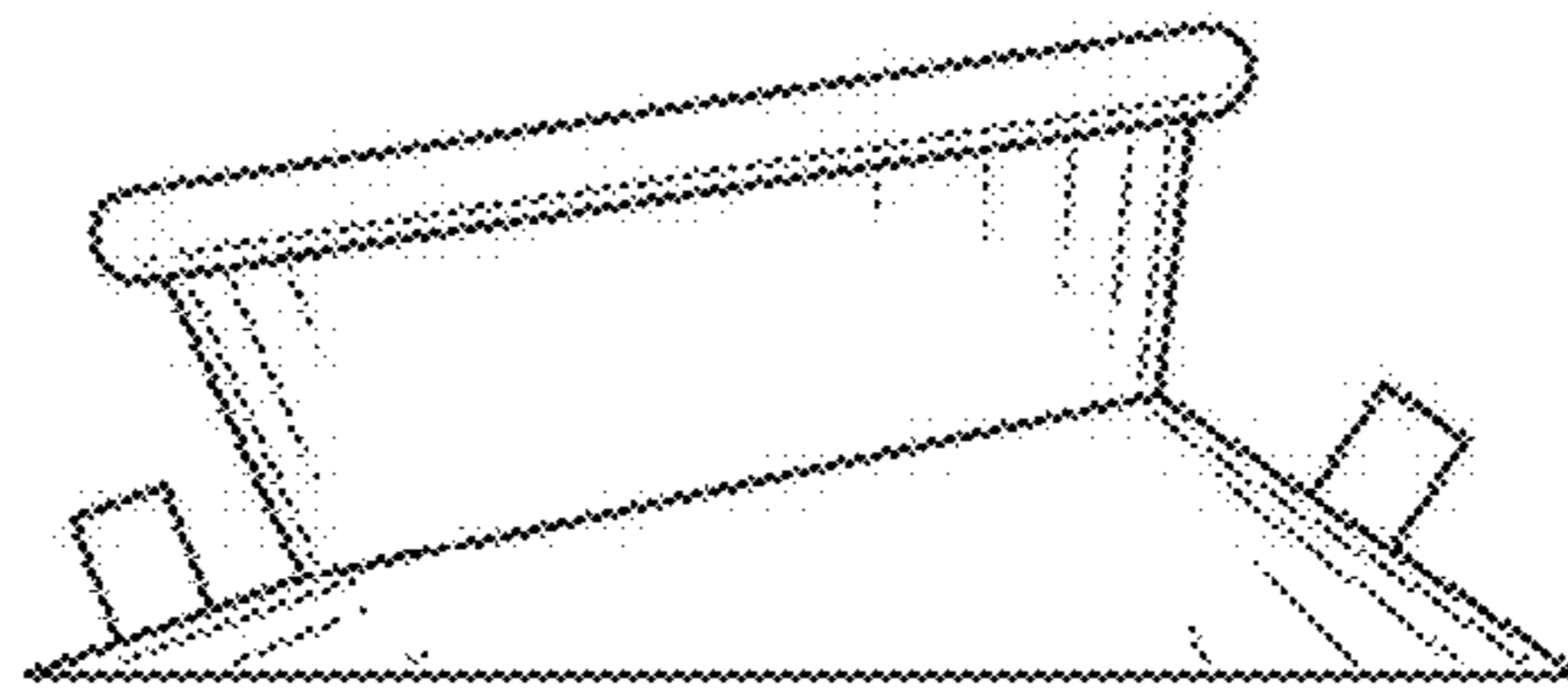


FIG. 4

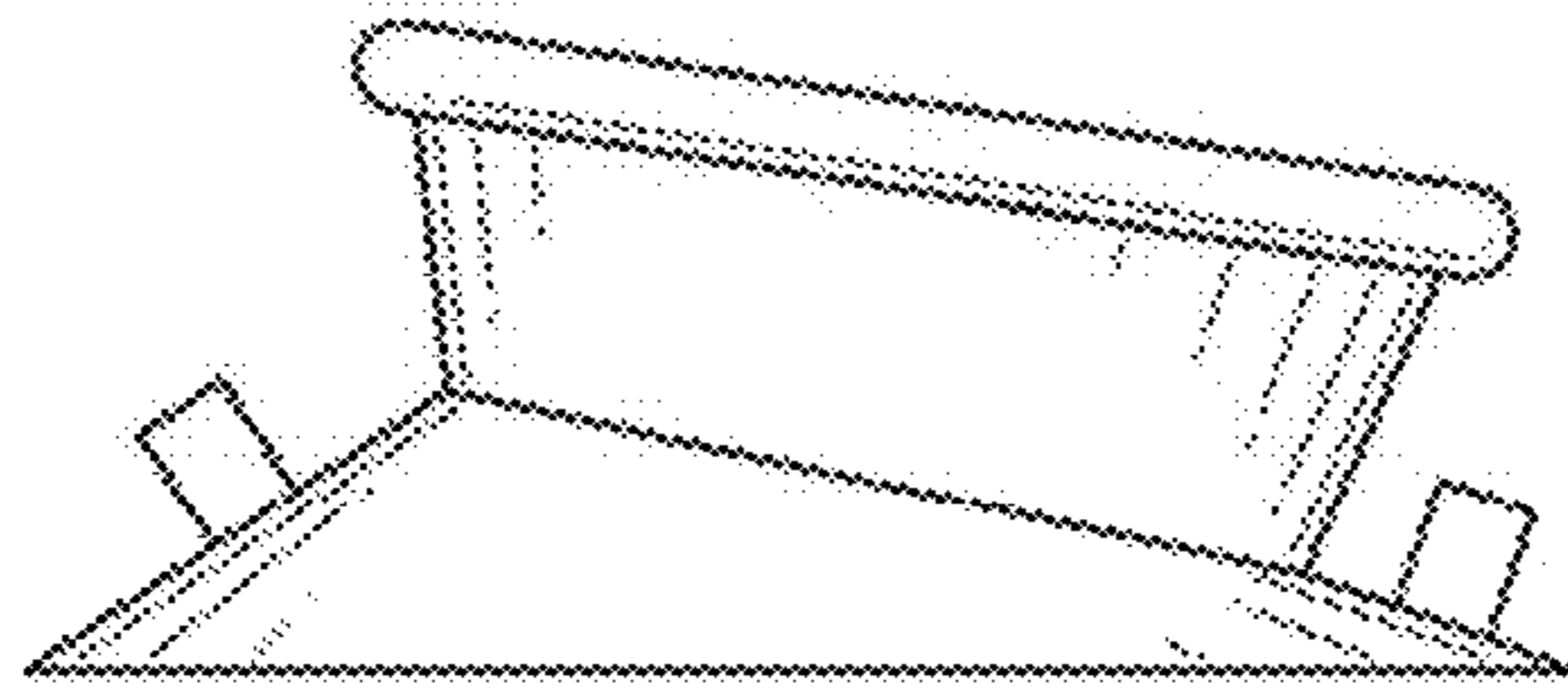


FIG. 5

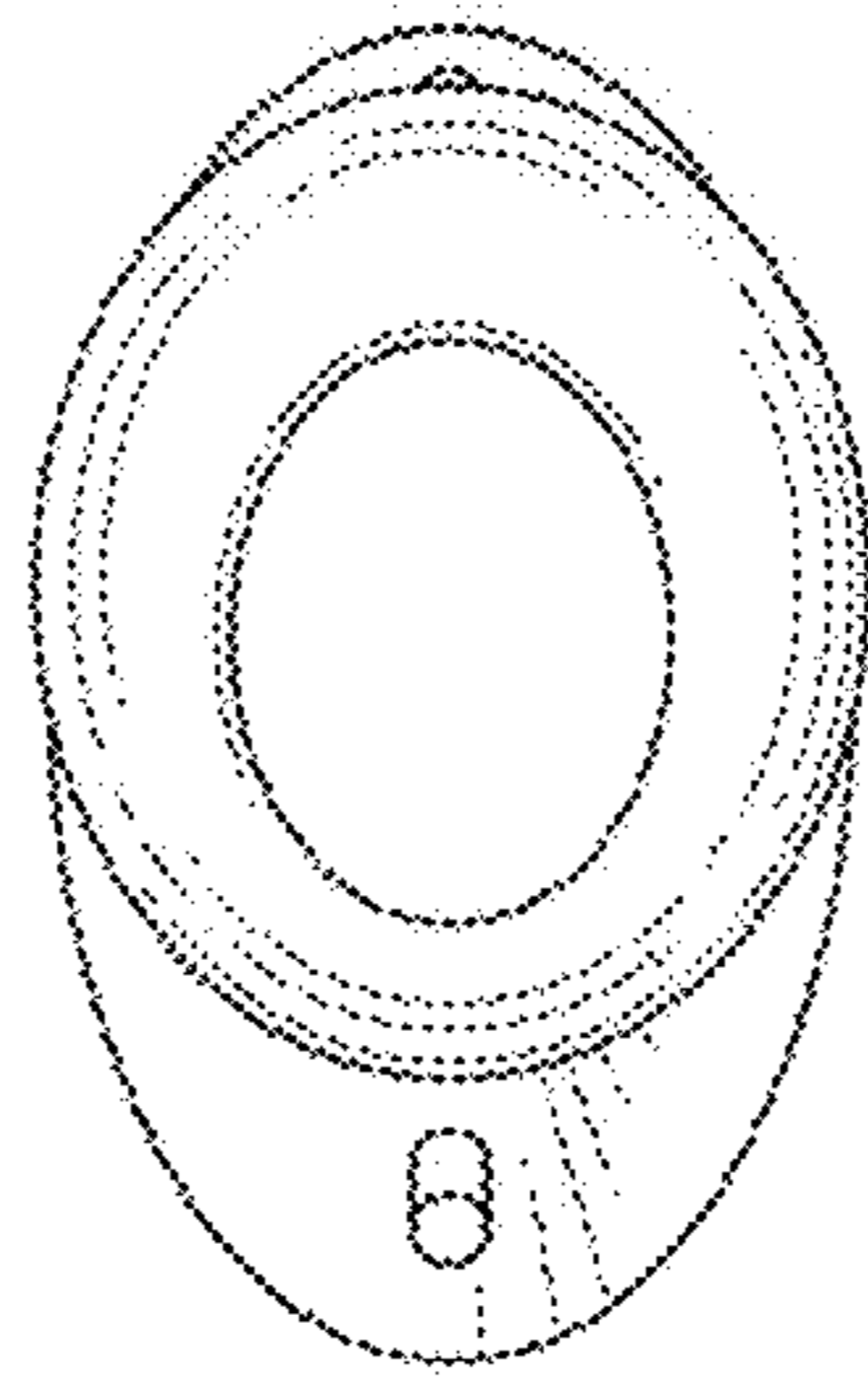


FIG. 6

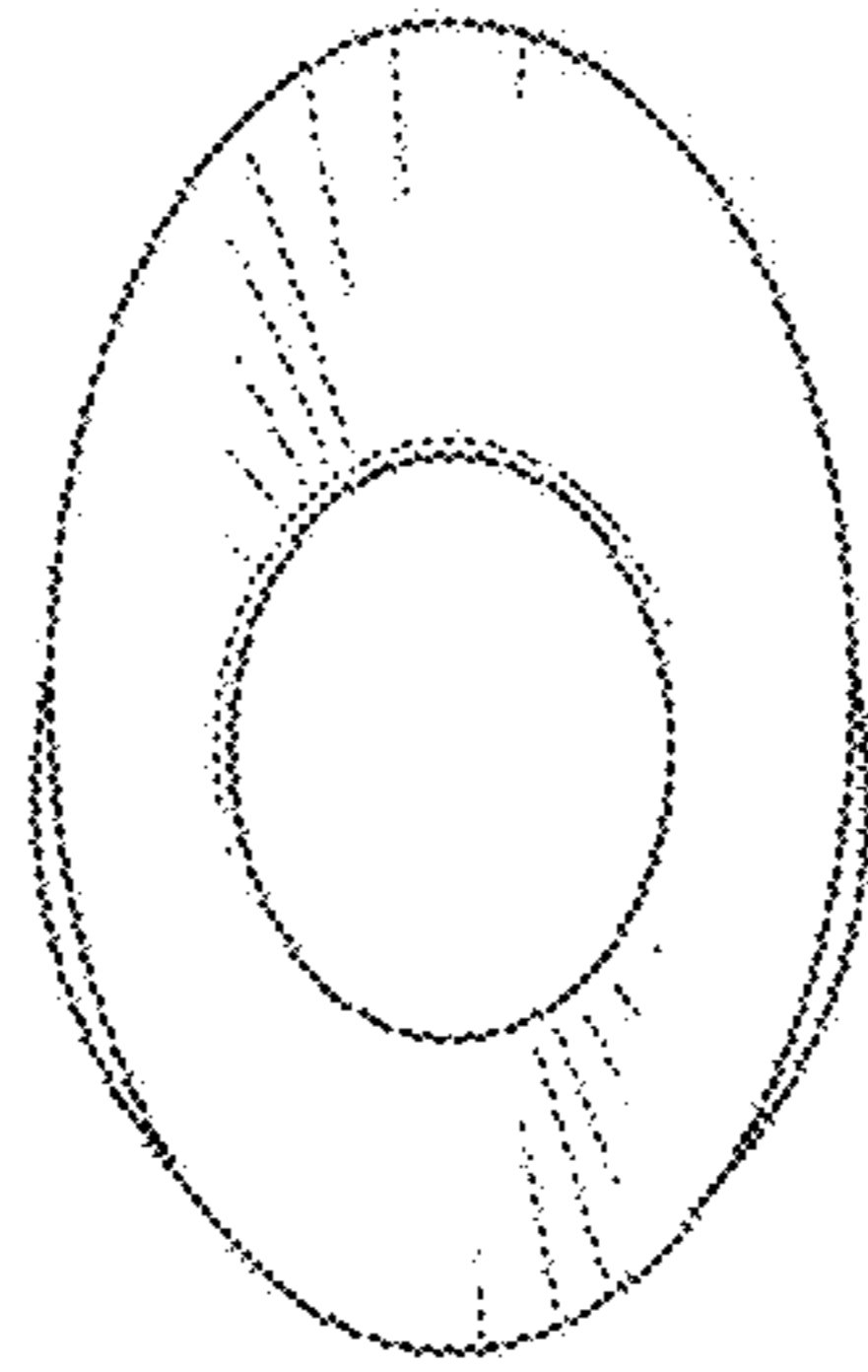


FIG. 7