



US00D808536S

(12) **United States Design Patent**  
**Bright**

(10) **Patent No.:** **US D808,536 S**

(45) **Date of Patent:** **\*\* Jan. 23, 2018**

- (54) **ADJUSTABLE LEG SLING**
- (71) Applicant: **Oliver Bright**, Ridgeland, SC (US)
- (72) Inventor: **Oliver Bright**, Ridgeland, SC (US)
- (\*\*) Term: **15 Years**
- (21) Appl. No.: **29/555,412**
- (22) Filed: **Feb. 22, 2016**
- (51) **LOC (11) Cl.** ..... **24-01**
- (52) **U.S. Cl.**  
USPC ..... **D24/190**
- (58) **Field of Classification Search**  
USPC ..... D24/188-192; D29/120.1, 121.1  
CPC ..... A61F 5/0109; A61F 2005/0176; A61F  
5/0106; A61F 5/0123; A61F 13/101;  
A61F 5/0118; A61F 13/08; A61F 13/06;  
A61F 5/0125; A41D 13/065; A41D  
13/08; A41D 13/0568  
See application file for complete search history.

- 8,142,336 B1 \* 3/2012 Yates ..... A61H 1/0255  
482/124
- 8,348,868 B1 \* 1/2013 Severence ..... A61H 1/0262  
601/26
- D685,950 S \* 7/2013 Sparkes ..... D29/101.1
- D694,414 S \* 11/2013 Sparkes ..... D24/190
- 8,840,532 B2 \* 9/2014 Hetrick ..... A44B 11/2557  
482/126
- D743,493 S \* 11/2015 Smith ..... D21/662
- 2006/0167392 A1 7/2006 Manquez

\* cited by examiner

*Primary Examiner* — George D. Kirschbaum

*Assistant Examiner* — Jennifer L Watkins

(74) *Attorney, Agent, or Firm* — Stevenson IP, LLC

(57) **CLAIM**

The ornamental design for an adjustable leg sling, as shown and described.

**DESCRIPTION**

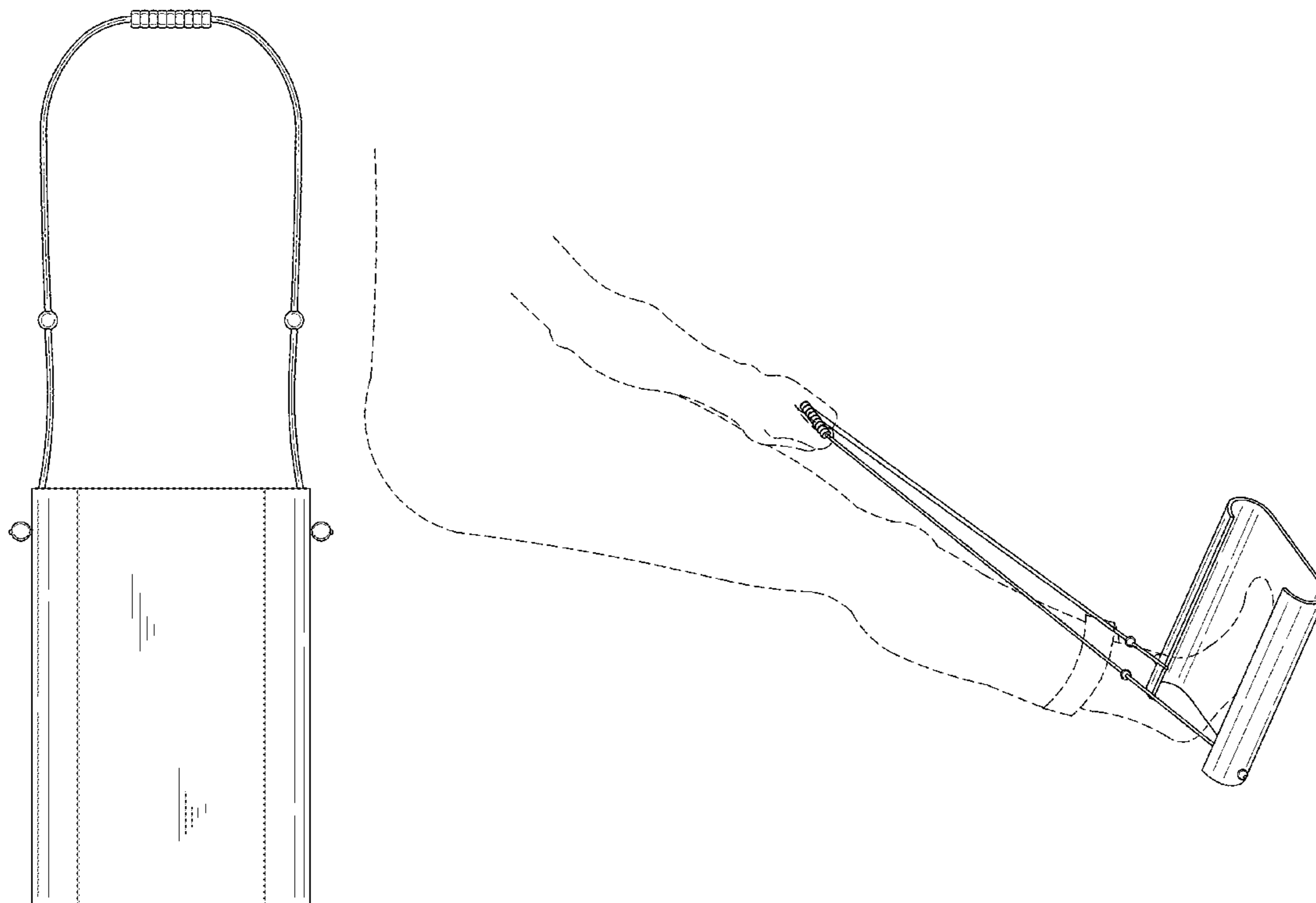
FIG. 1 is a front elevation view of an adjustable leg sling showing my new design;  
 FIG. 2 is a rear elevation view thereof;  
 FIG. 3 is a right side elevation view thereof, the opposite side being a mirror image of the shown;  
 FIG. 4 is a top plan view thereof;  
 FIG. 5 is a bottom plan view thereof; and,  
 FIG. 6 is an isometric view thereof.  
 The broken lines in FIG. 6 of the drawings depict environmental subject matter only and form no part of the claimed design.

**1 Claim, 4 Drawing Sheets**

(56) **References Cited**

U.S. PATENT DOCUMENTS

- 4,251,070 A 2/1981 Leseberg
- 5,518,486 A 5/1996 Sheeler
- 5,865,203 A 2/1999 Villano
- 6,027,434 A 2/2000 Gibbons
- D493,001 S 7/2004 Urban et al.
- 7,007,705 B1 3/2006 Thrower
- D629,913 S \* 12/2010 Beckwith ..... D24/192
- D631,924 S \* 2/2011 Baldwin ..... D21/662



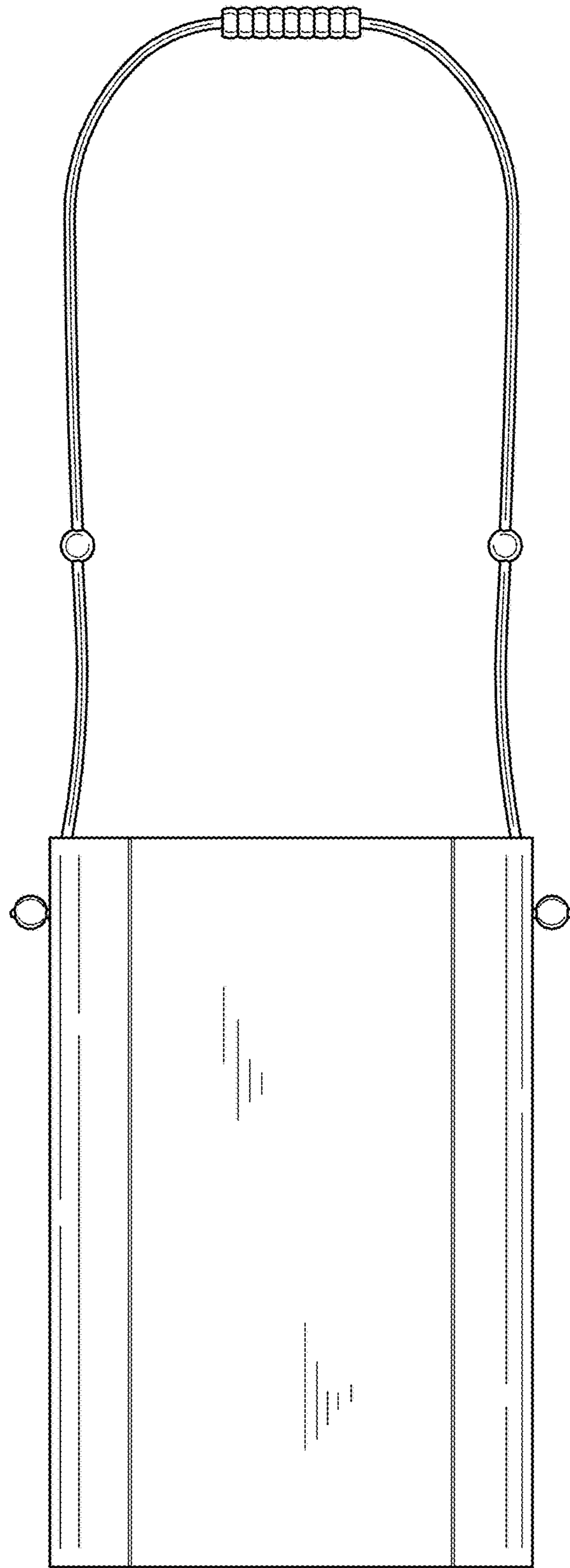


FIG. 1

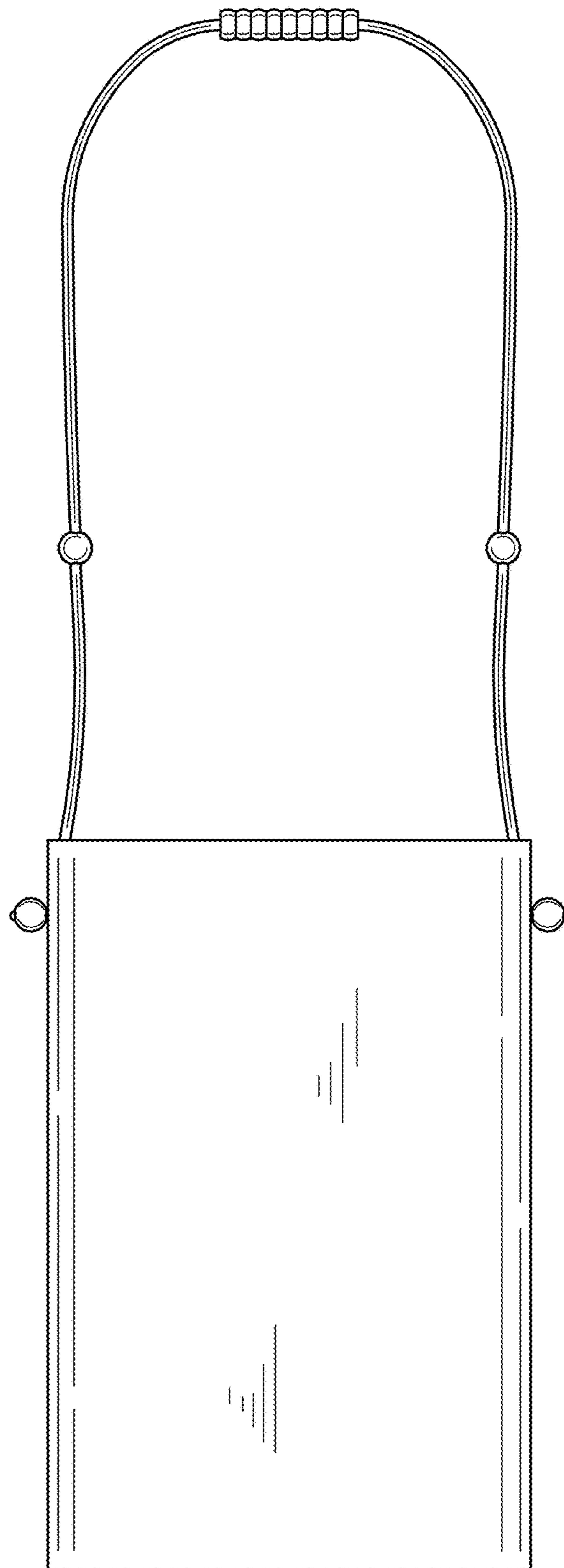


FIG. 2

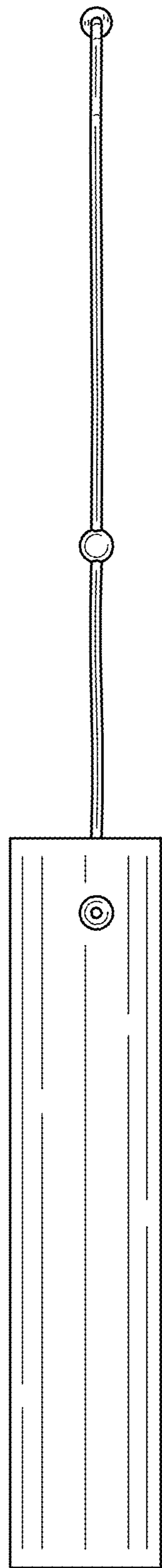


FIG. 3

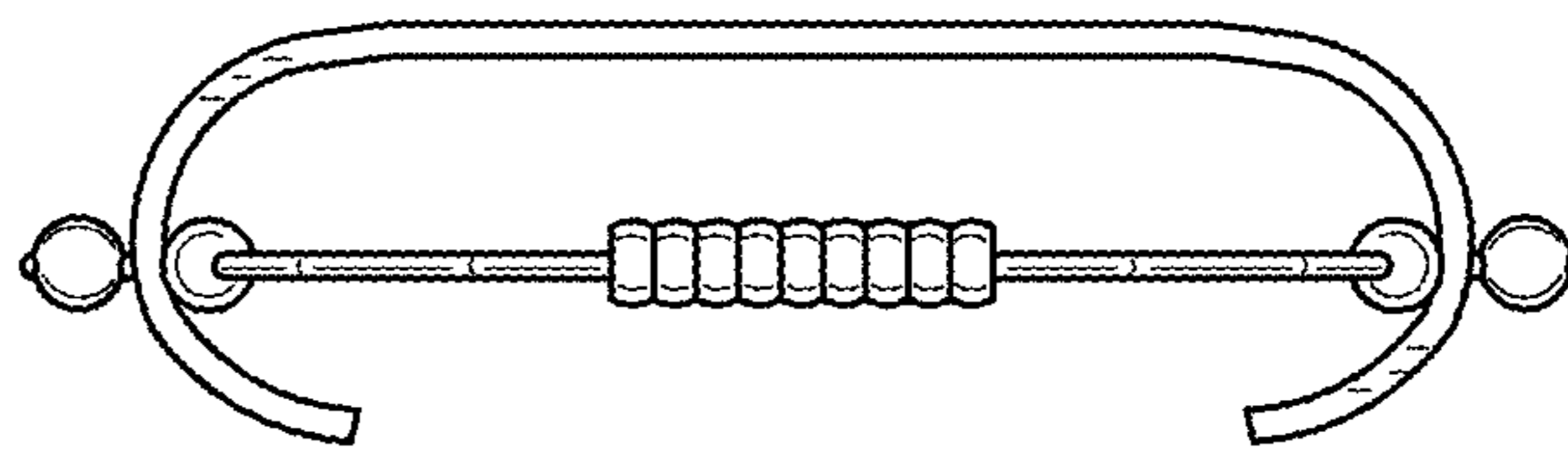


FIG. 4

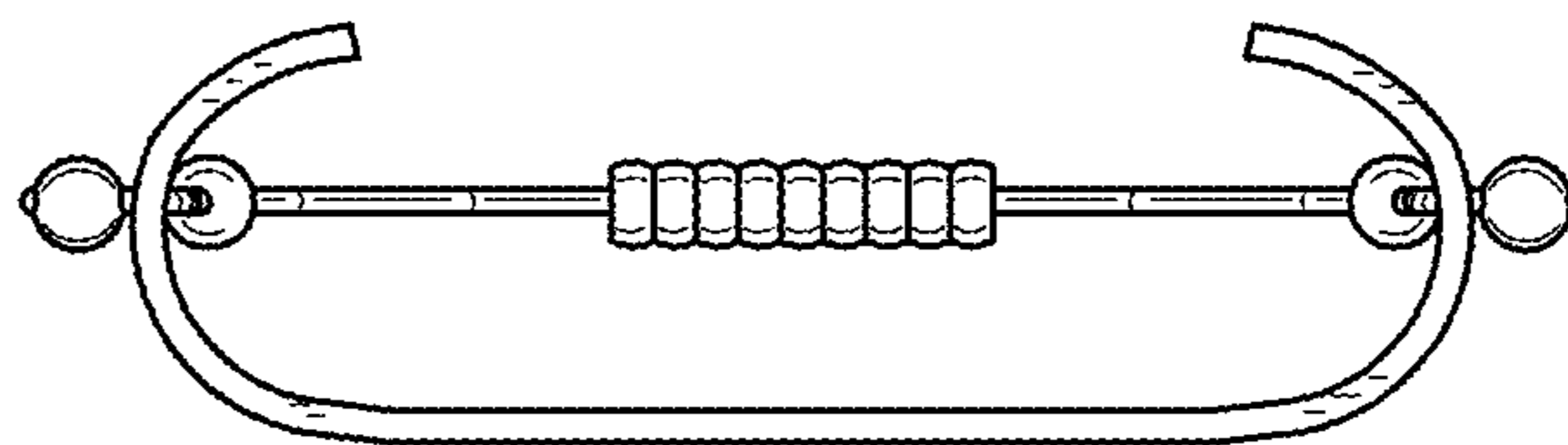


FIG. 5

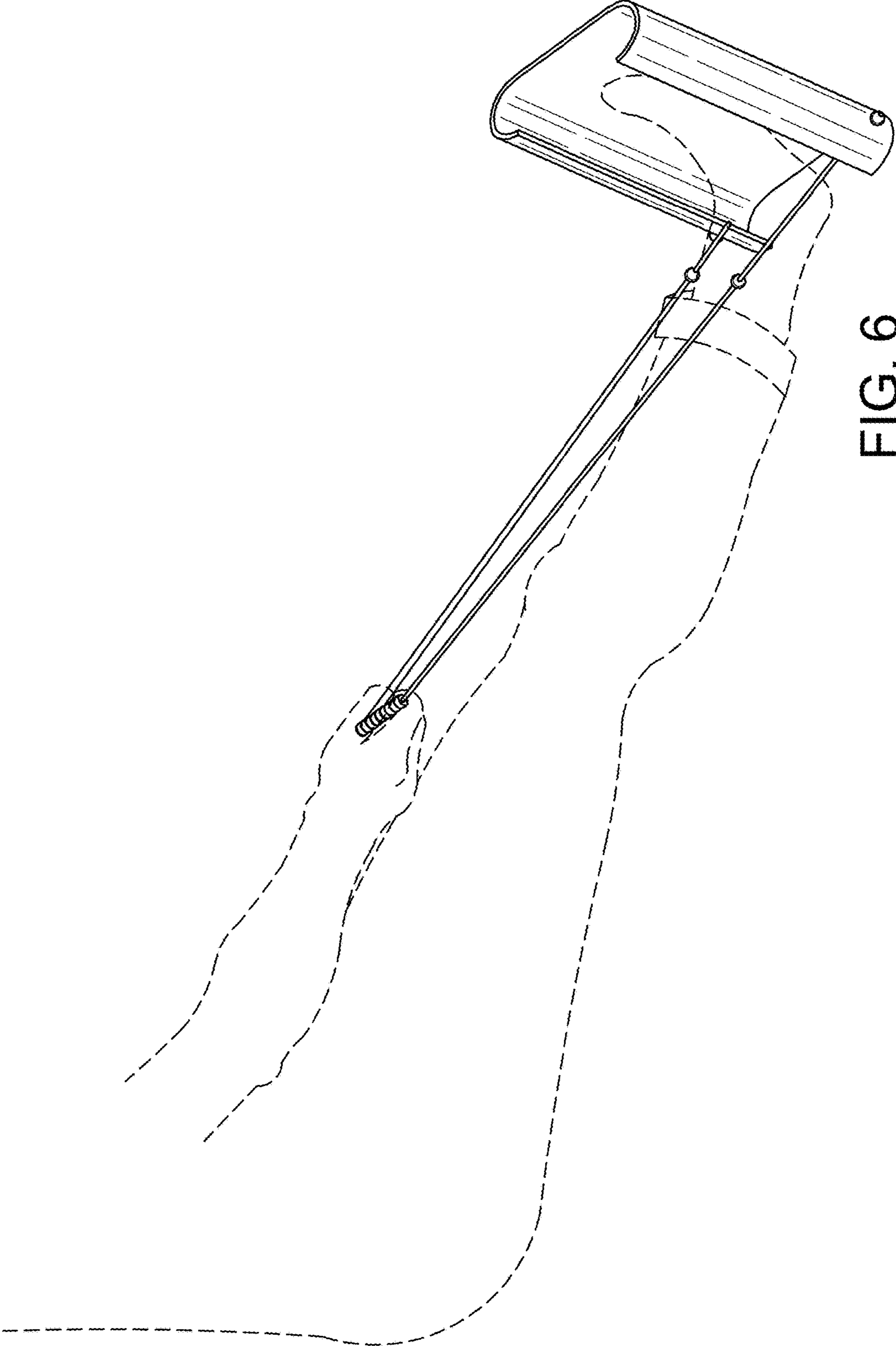


FIG. 6