



US00D808533S

(12) **United States Design Patent** (10) **Patent No.:** **US D808,533 S**
Verguldi et al. (45) **Date of Patent:** **** Jan. 23, 2018**

- (54) **MEDICAL EQUIPMENT CART**
- (71) Applicant: **Mar Cor Purification, Inc.**, Skippack, PA (US)
- (72) Inventors: **Michael L. Verguldi**, Pennsburg, PA (US); **Garry O. Miller**, Eden Prairie, MN (US); **James Huang Lua**, Columbus, OH (US); **Ryan Robert Berger**, Columbus, OH (US); **Jeffrey R. Burger**, Bexley, OH (US)
- (73) Assignee: **Mar Cor Purification, Inc.**, Skippack, PA (US)

D411,678 S *	6/1999	Di Paolo	D34/20
D425,280 S *	5/2000	vom Braucke	D34/17
D442,756 S *	5/2001	Jarvis	D34/19
D447,567 S *	9/2001	Murphy	D24/172
D470,687 S *	2/2003	Binse	D6/657
D568,258 S *	5/2008	Adam	D13/163
D615,208 S *	5/2010	Keffeler	D24/185
D646,393 S *	10/2011	Juliana	D24/186
D664,254 S *	7/2012	Yokoyama	D24/158
D707,912 S *	6/2014	Koehler	D34/19
D709,202 S *	7/2014	Lamoureux	D24/185
D730,528 S *	5/2015	Yang	D24/185
D735,868 S *	8/2015	Mareguddi	D24/185
D752,232 S *	3/2016	Hacker	D24/185
2001/0035702 A1 *	11/2001	Murphy	A61G 12/001 312/229
2011/0309591 A1 *	12/2011	Petrick	H01R 13/465 280/47.35

(**) Term: **15 Years**

- (21) Appl. No.: **29/571,616**
- (22) Filed: **Jul. 20, 2016**
- (51) **LOC (11) Cl.** **24-02**
- (52) **U.S. Cl.**
USPC **D24/185**
- (58) **Field of Classification Search**
USPC D24/158-160, 164, 170, 177, 183-186,
D24/231; D4/406.1-406.2; D13/163
CPC F16M 11/42; F16M 2013/025; F16M
2013/026; F16M 2013/027; A61M
5/1415; A61B 50/10; A61B 50/13; A61B
8/4405; A47C 7/004; A47C 7/006; A47B
13/023; A47B 2013/025; A47B 2013/026;
A47B 2013/027
See application file for complete search history.

* cited by examiner

Primary Examiner — Sheryl Lane
Assistant Examiner — Calvin E Vansant
(74) *Attorney, Agent, or Firm* — Faegre Baker Daniels LLP

(57) **CLAIM**

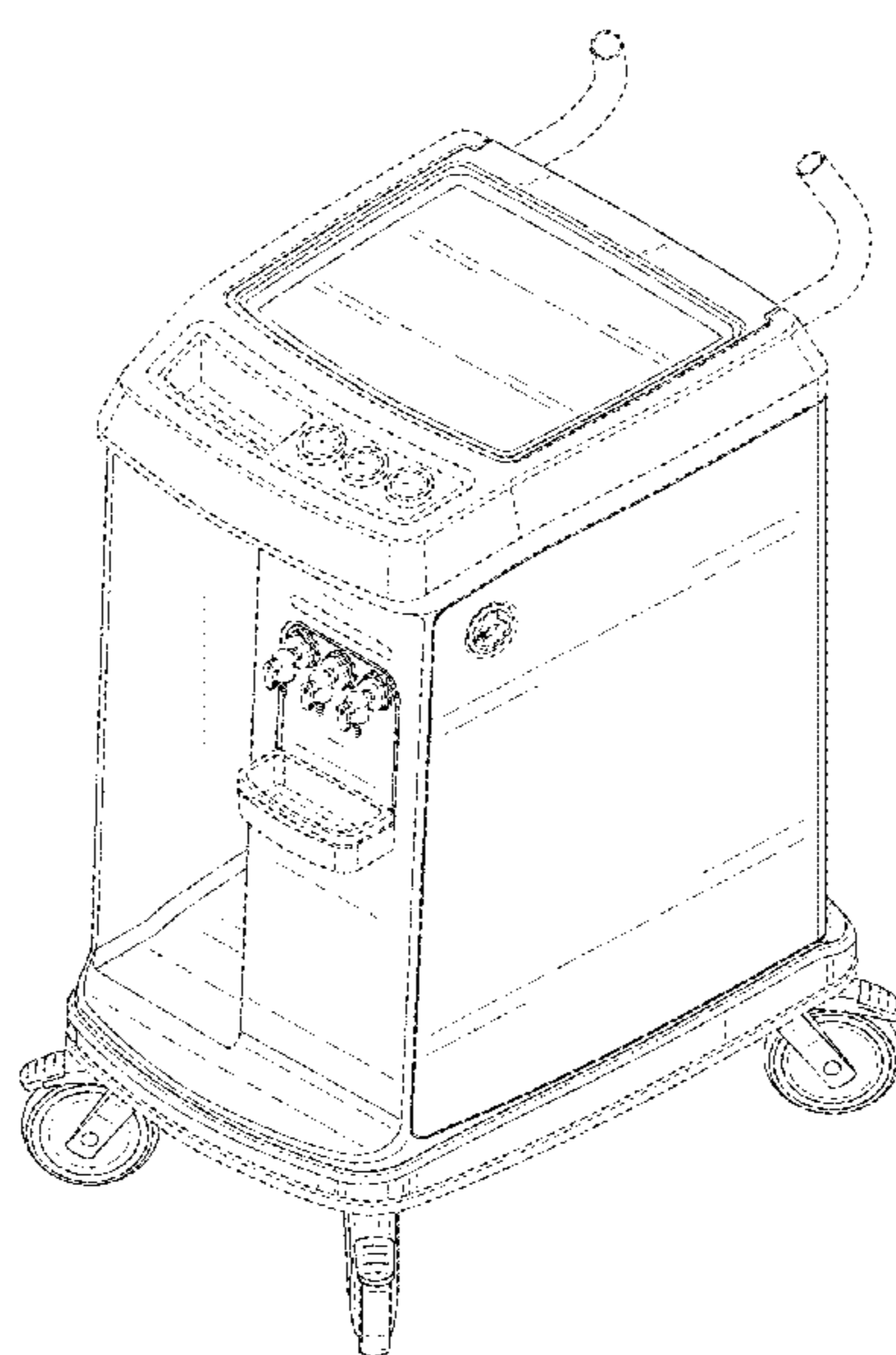
The ornamental design for medical equipment cart, as shown and described.

DESCRIPTION

FIG. 1 is a front perspective view of medical equipment cart illustrating our new design;
FIG. 2 is a front side view of our new design;
FIG. 3 is a back side view of our new design;
FIG. 4 is a left side view of our new design;
FIG. 5 is a right side view of our new design;
FIG. 6 is a top view of our new design; and,
FIG. 7 is a bottom view of our new design.
The portions of the device shown in broken lines form no part of the claimed design.

- (56) **References Cited**
U.S. PATENT DOCUMENTS
D250,584 S * 12/1978 Oye D24/185
D348,550 S * 7/1994 Cox D32/23
D389,917 S * 1/1998 Hornback D24/185
D410,544 S * 6/1999 Metzler D24/172

1 Claim, 7 Drawing Sheets



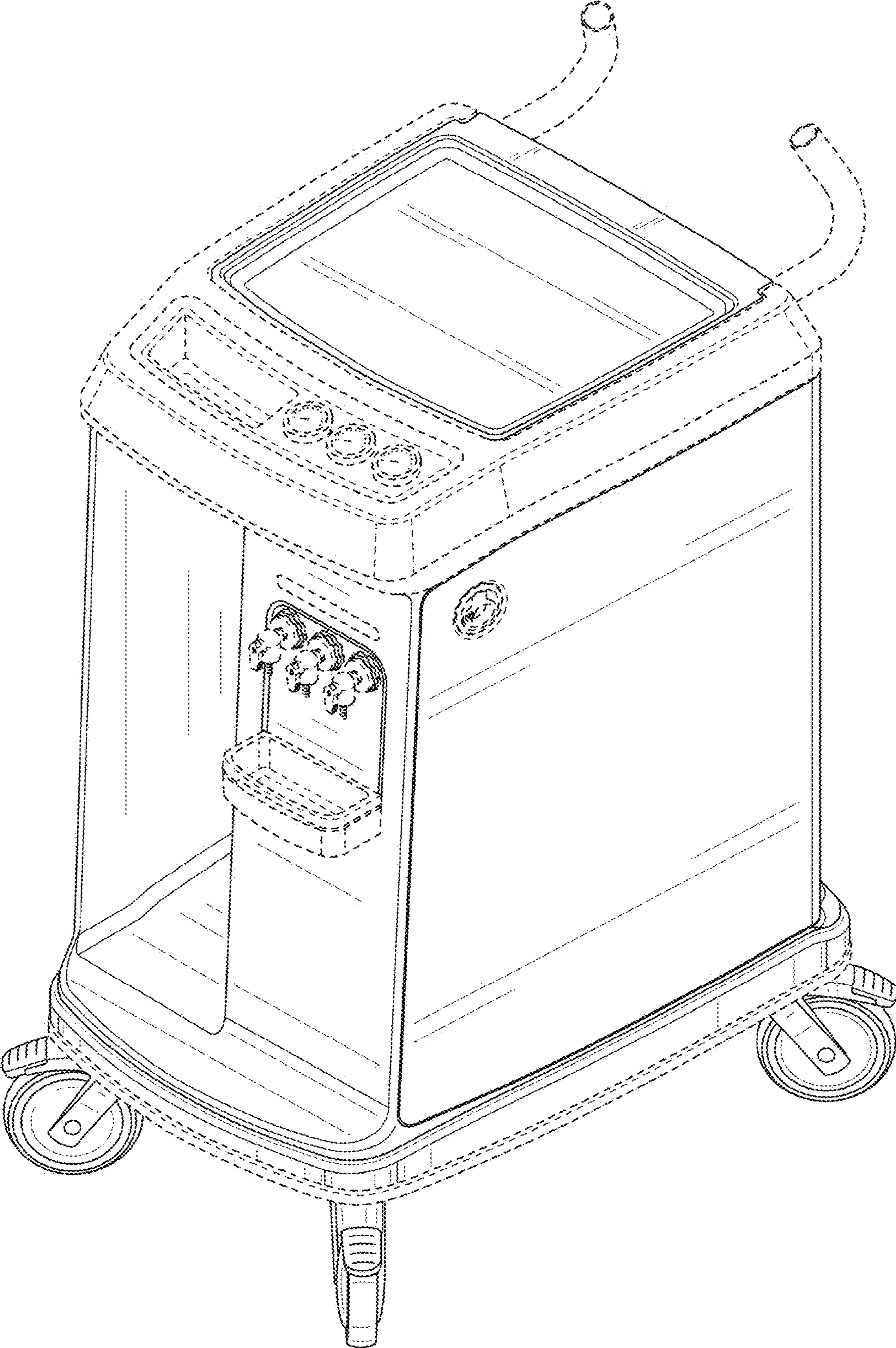


FIG. 1

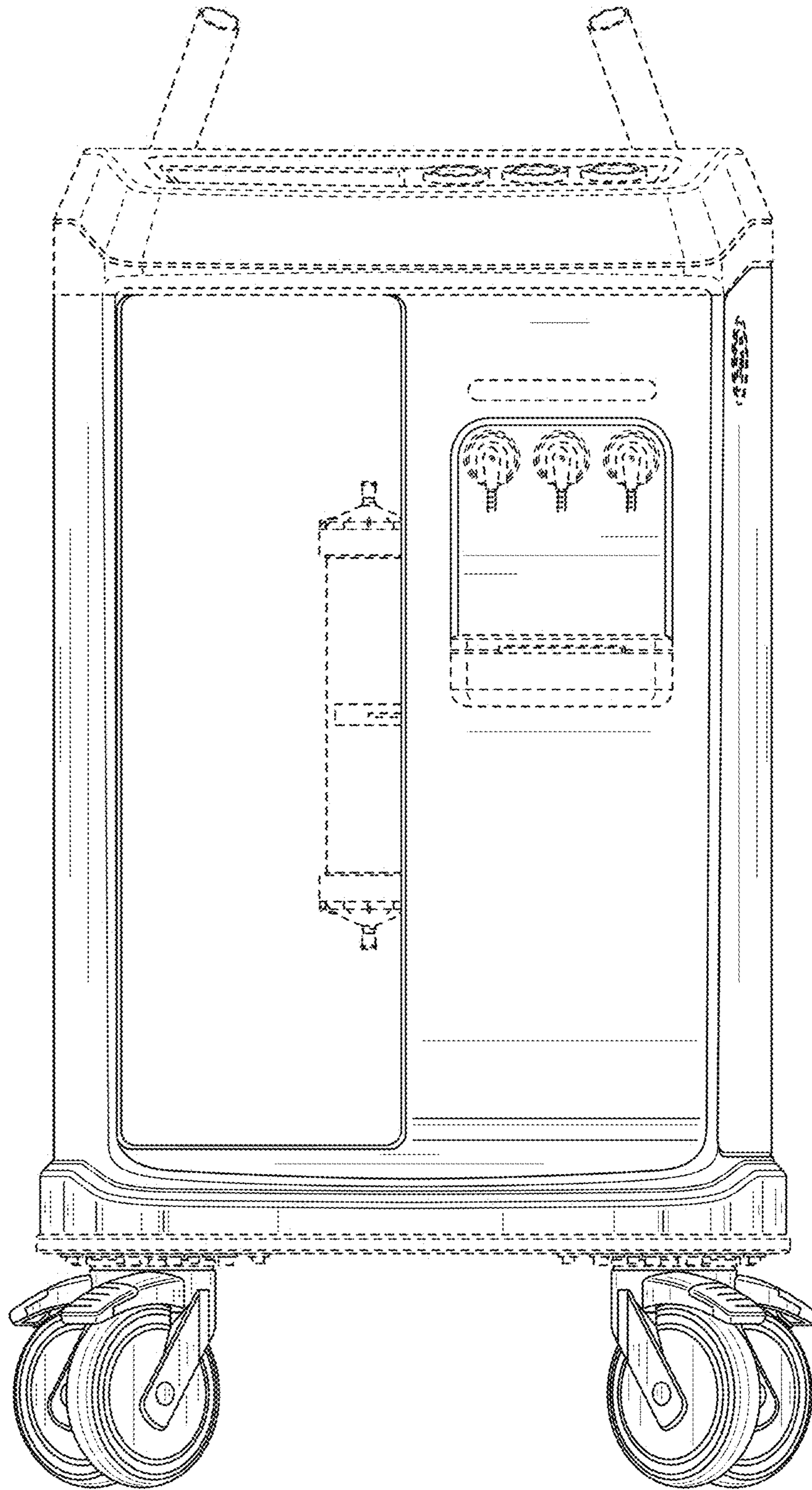


FIG. 2

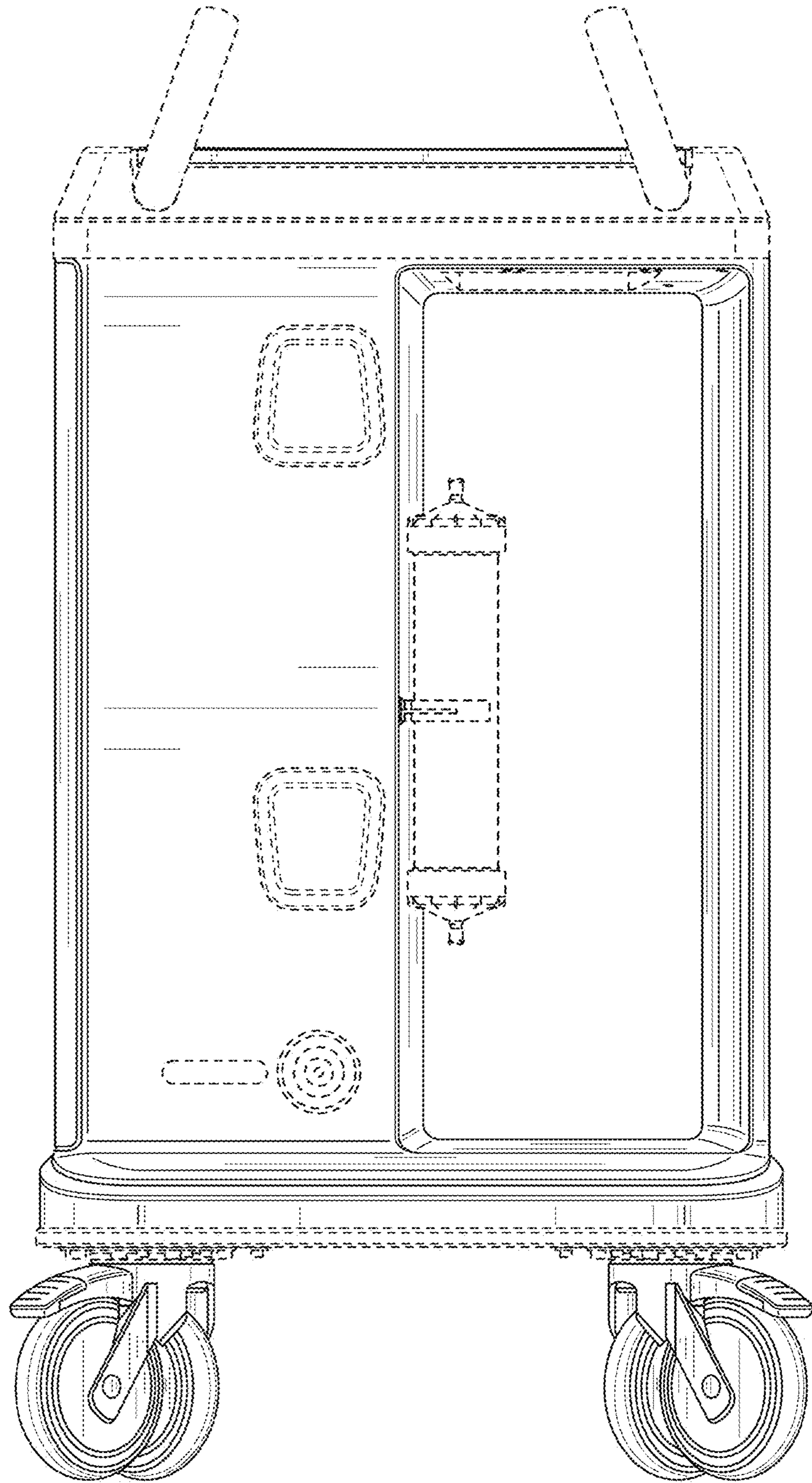


FIG. 3

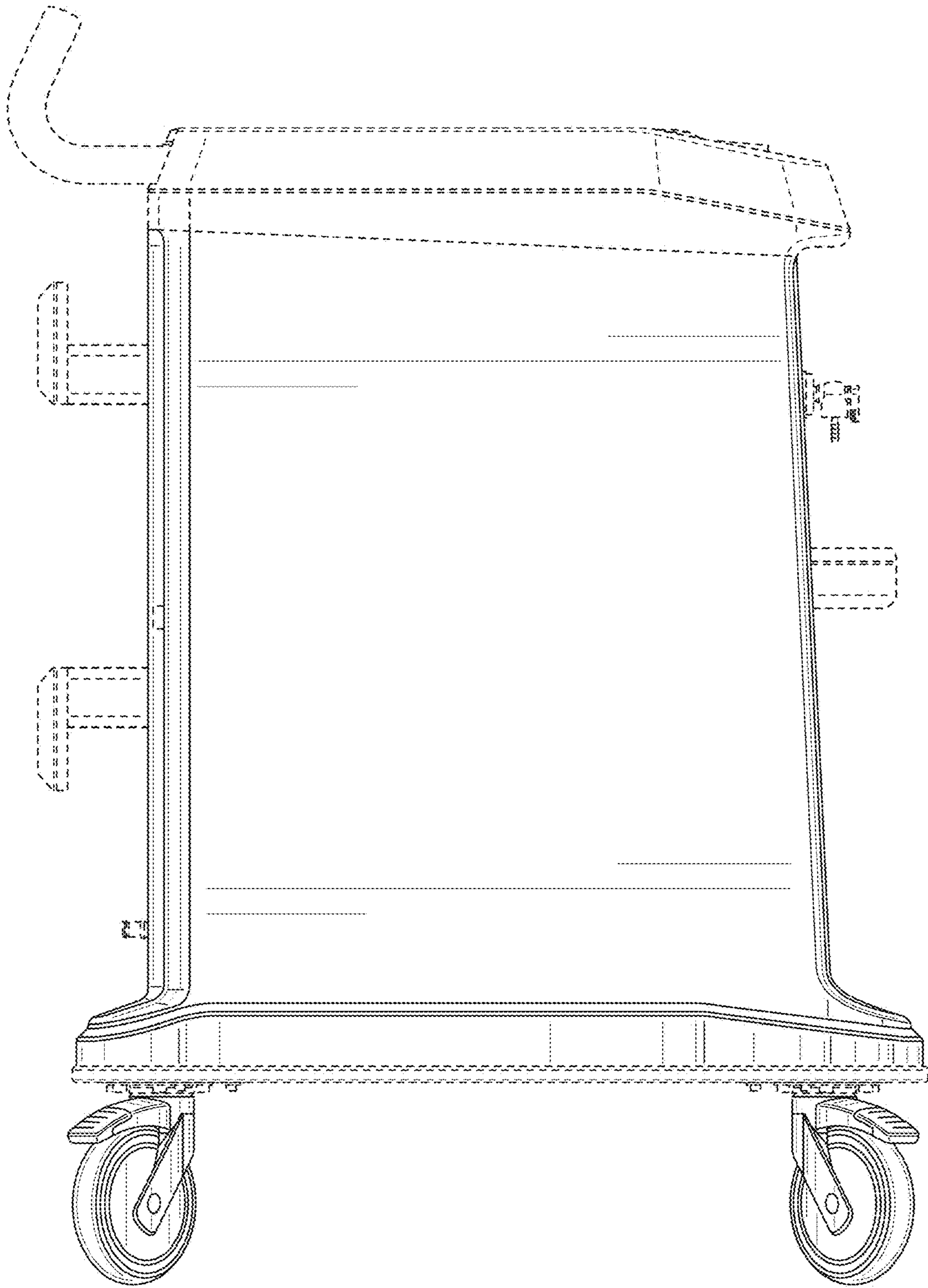


FIG. 4

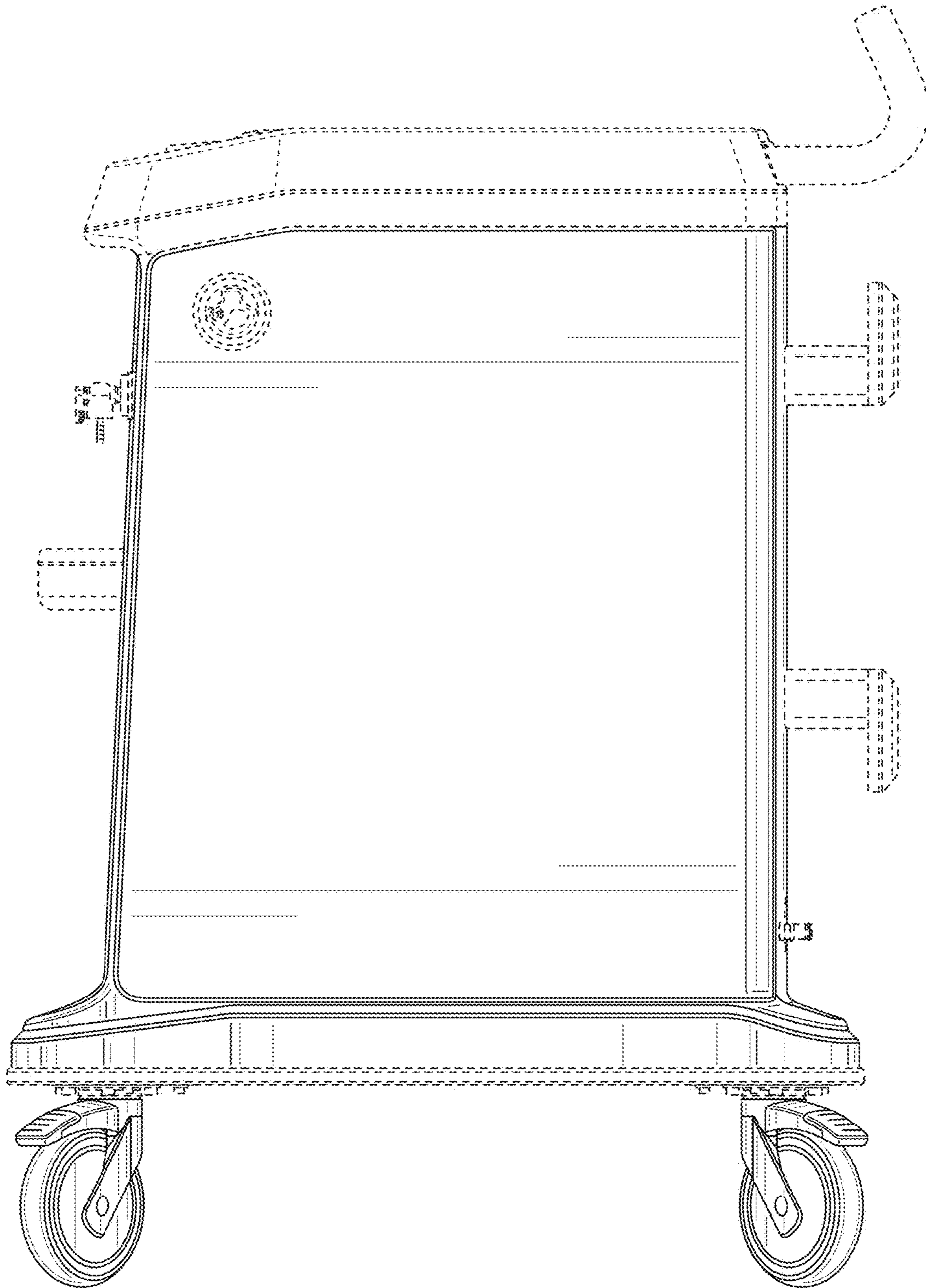


FIG. 5

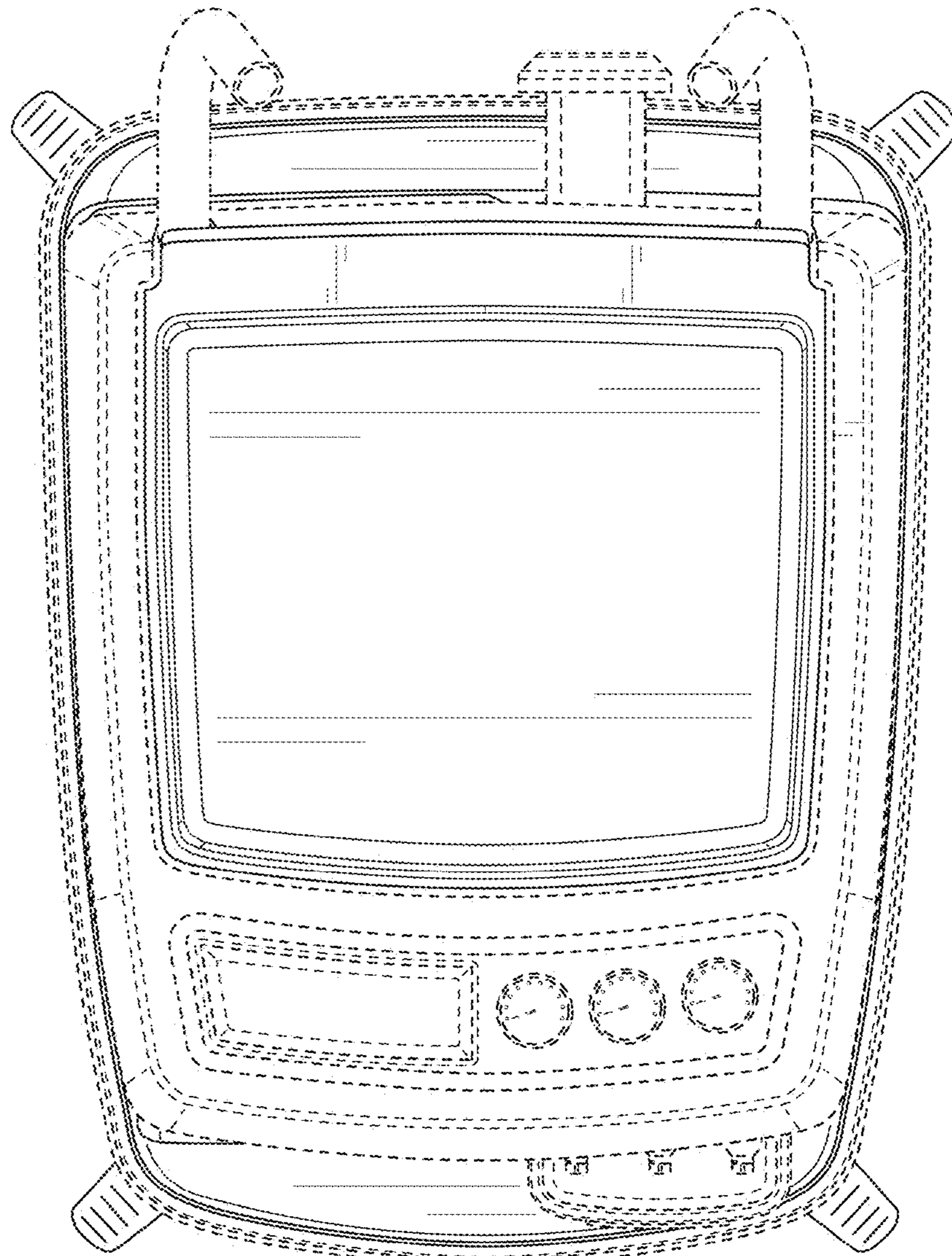


FIG. 6

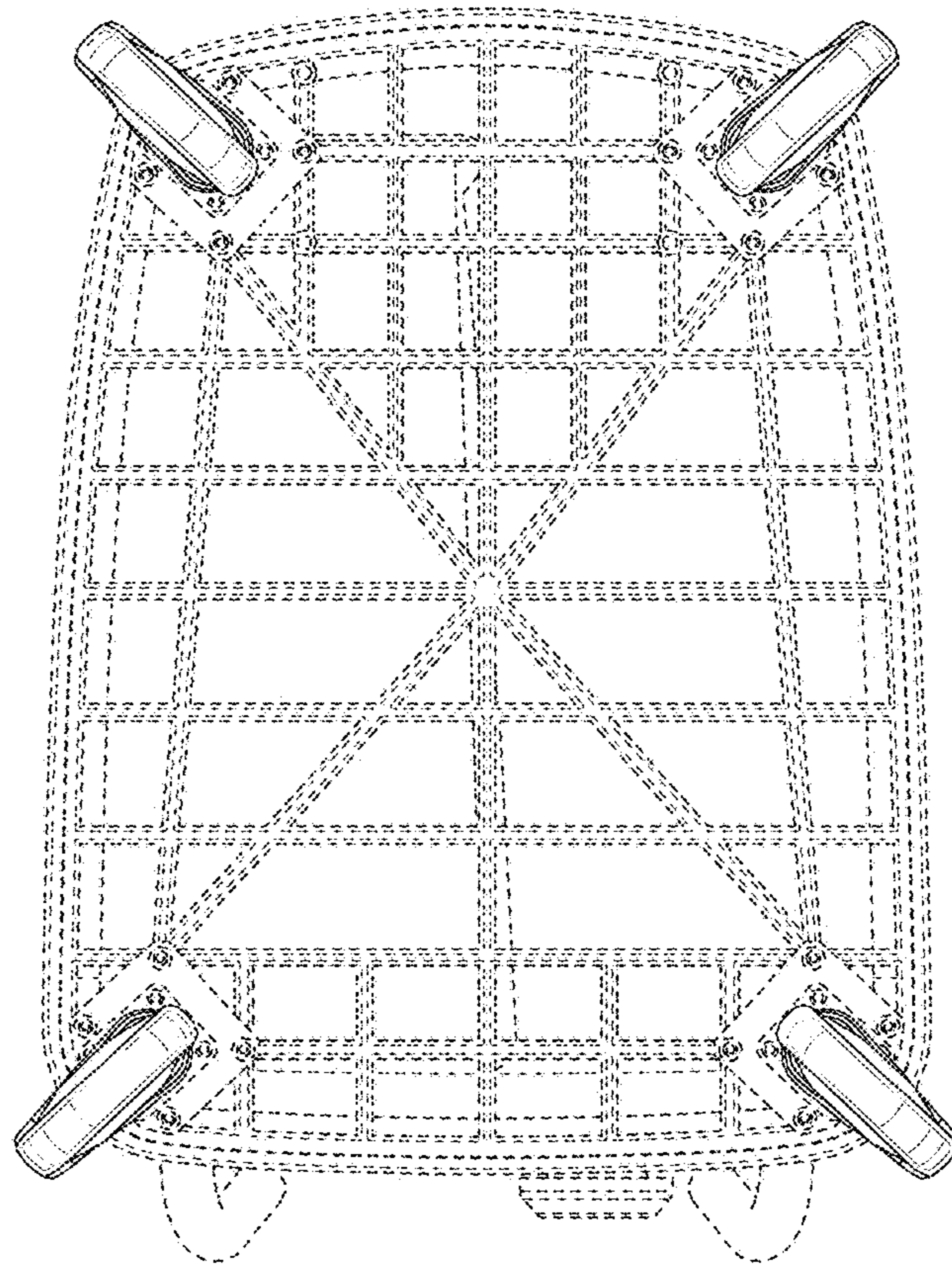


FIG. 7