



US00D808531S

(12) **United States Design Patent**
Slater

(10) **Patent No.:** **US D808,531 S**

(45) **Date of Patent:** **** Jan. 23, 2018**

(54) **ANTERIOR HIP EXTRACTOR**

(71) Applicant: **Shukla Medical**, Piscataway, NJ (US)

(72) Inventor: **Stephen M. Slater**, Morris Plains, NJ (US)

(73) Assignee: **Shukla Medical**, Piscataway, NJ (US)

(**) Term: **15 Years**

(21) Appl. No.: **29/571,835**

(22) Filed: **Jul. 22, 2016**

(51) **LOC (11) Cl.** **24-02**

(52) **U.S. Cl.**
USPC **D24/171**

(58) **Field of Classification Search**
USPC D24/111, 133, 135-139, 141, 146, 147, D24/160, 171
CPC A61F 2002/3625; A61F 2002/4619; A61F 2002/4623; A61F 2002/4681; A61F 2/4607

See application file for complete search history.

(56) **References Cited**

U.S. PATENT DOCUMENTS

3,585,994 A * 6/1971 Huggler A61B 17/92 606/100
4,222,382 A * 9/1980 Antonsson A61F 2/4607 606/100

4,993,410 A * 2/1991 Kimsey A61F 2/4607 606/100
5,507,830 A * 4/1996 DeMane A61F 2/30724 623/22.42
8,603,100 B2 * 12/2013 Muller A61F 2/4607 606/100

* cited by examiner

Primary Examiner — Robert M Spear

Assistant Examiner — Eliza Bennett-Hattan

(74) *Attorney, Agent, or Firm* — Kim Winston LLP

(57) **CLAIM**

The ornamental design for an anterior hip extractor, as shown and described.

DESCRIPTION

FIG. 1 is a perspective view of an anterior hip extractor in accordance with the new design;

FIG. 2 is a top plan view of the anterior hip extractor of FIG. 1;

FIG. 3 is a bottom plan view of the anterior hip extractor of FIG. 1;

FIG. 4 is a front view of the anterior hip extractor of FIG. 1;

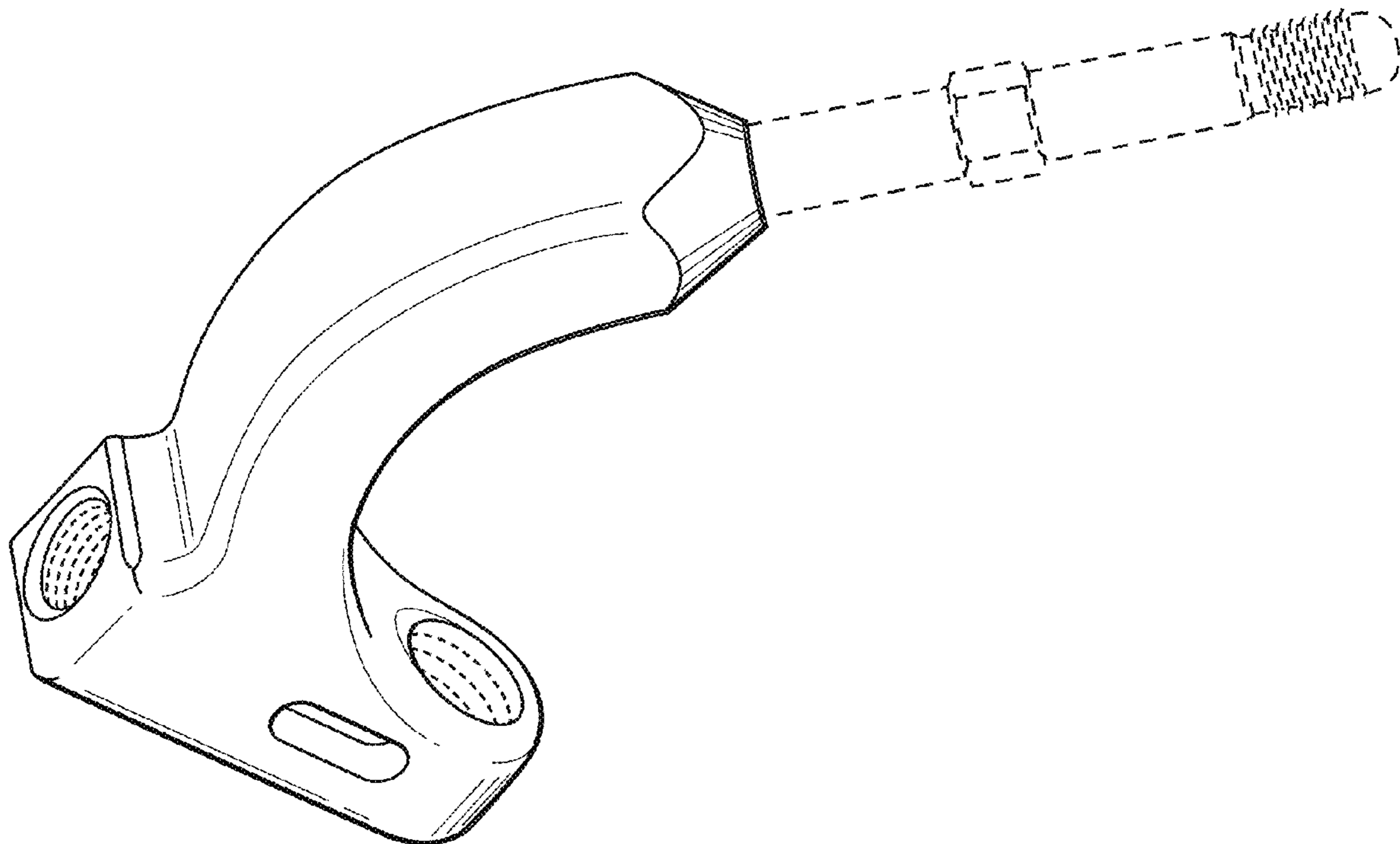
FIG. 5 is a rear view of the anterior hip extractor of FIG. 1;

FIG. 6 is a right side view of the anterior hip extractor of FIG. 1; and,

FIG. 7 is a left side view of the anterior hip extractor of FIG. 1.

The broken lines in FIGS. 1-7 illustrate portions of the anterior hip extractor which form no part of the claimed design.

1 Claim, 5 Drawing Sheets



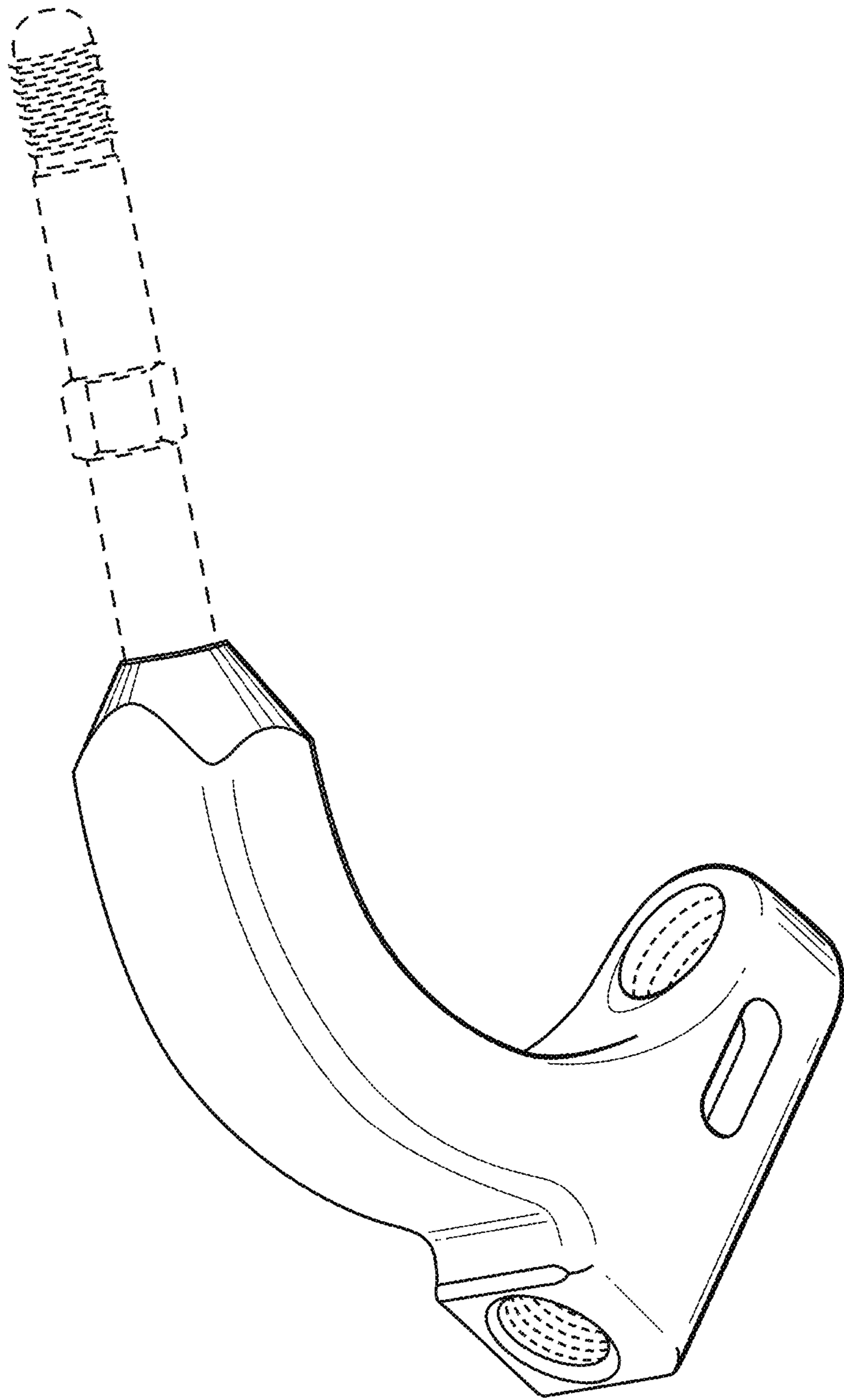


FIG. 1

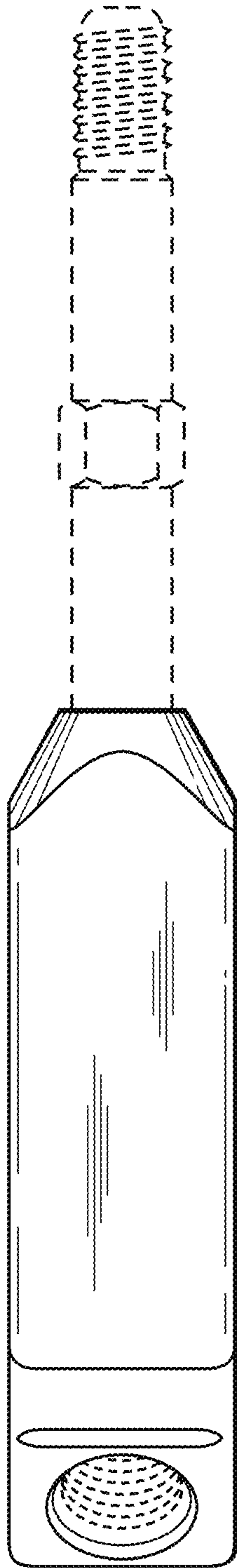


FIG. 2

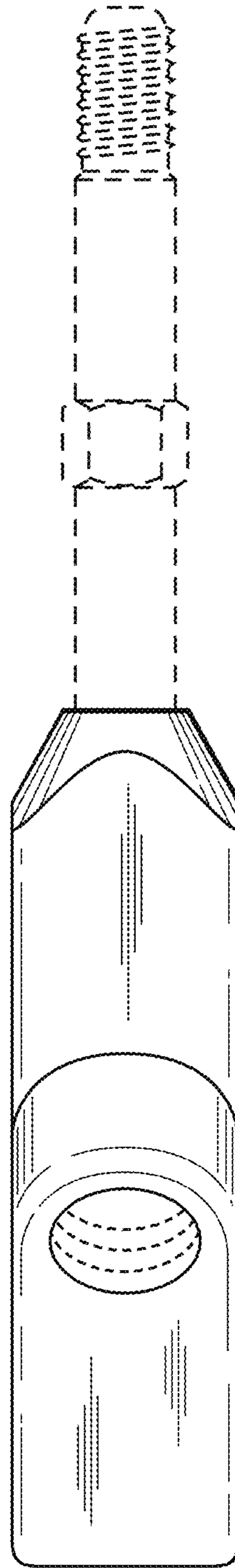


FIG. 3

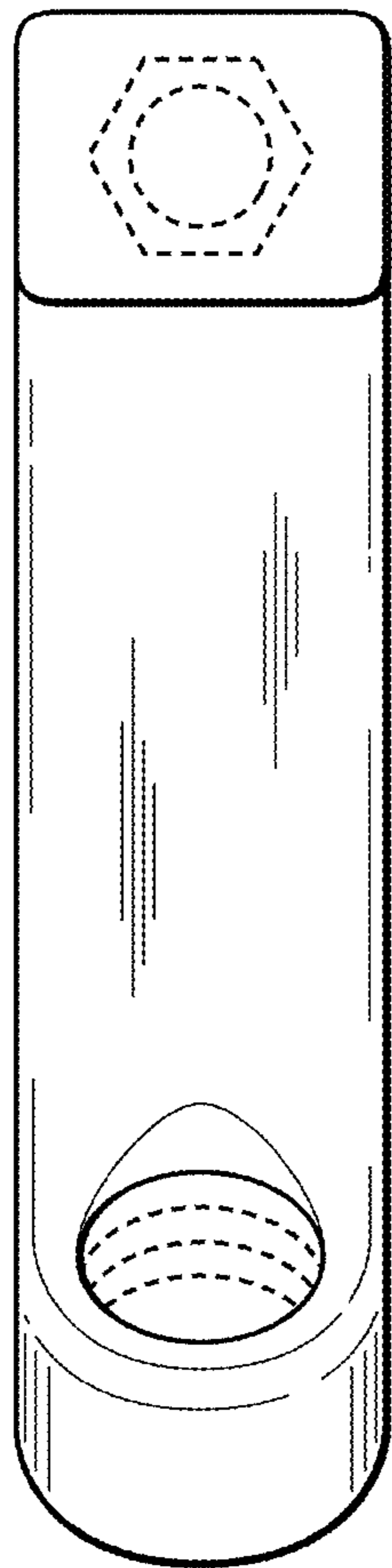


FIG. 4

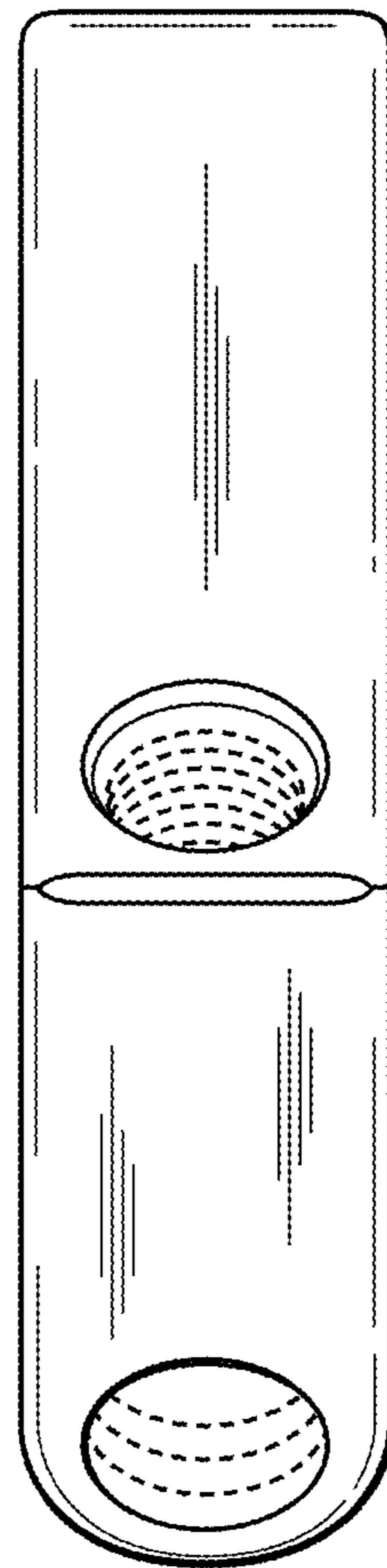


FIG. 5

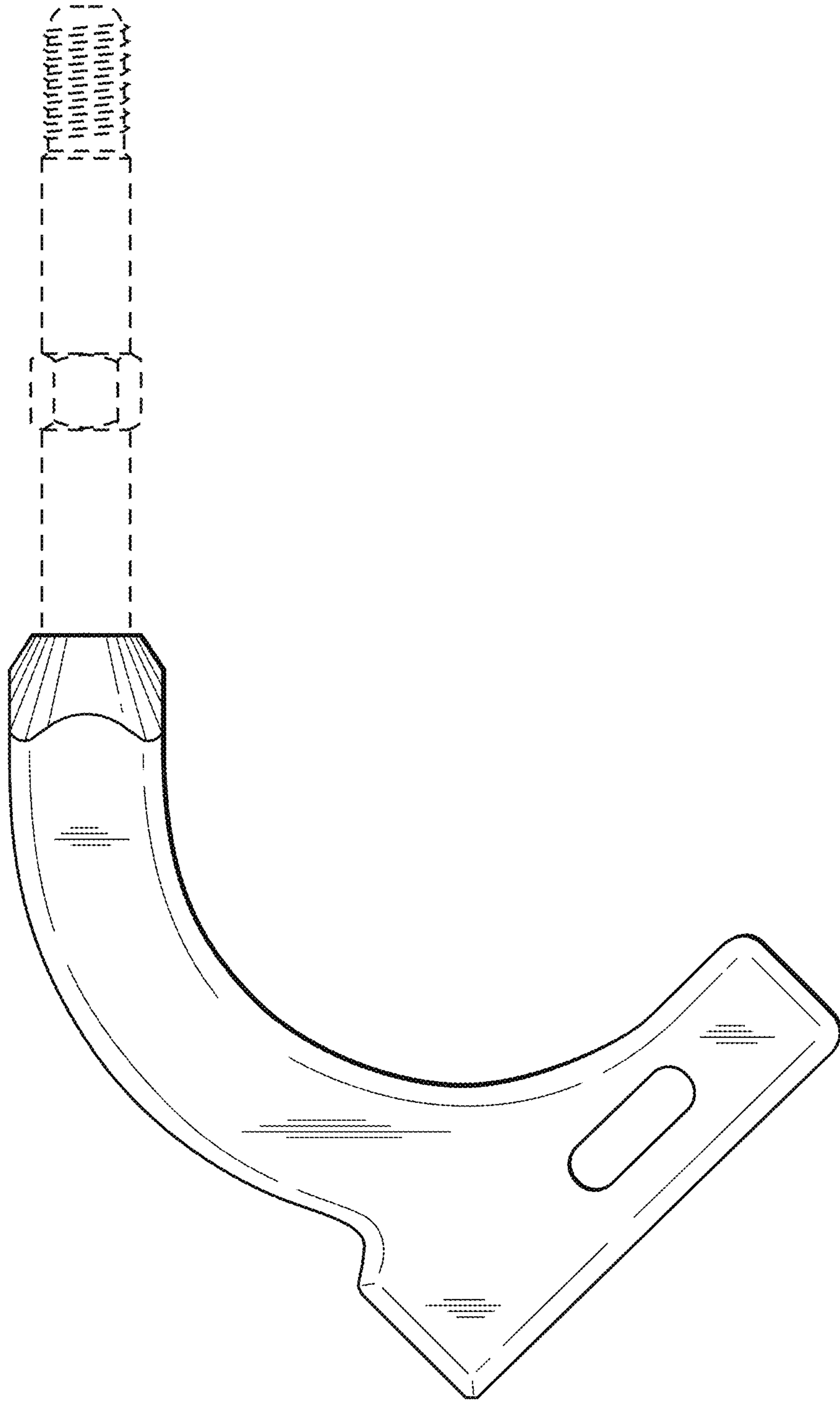


FIG. 6

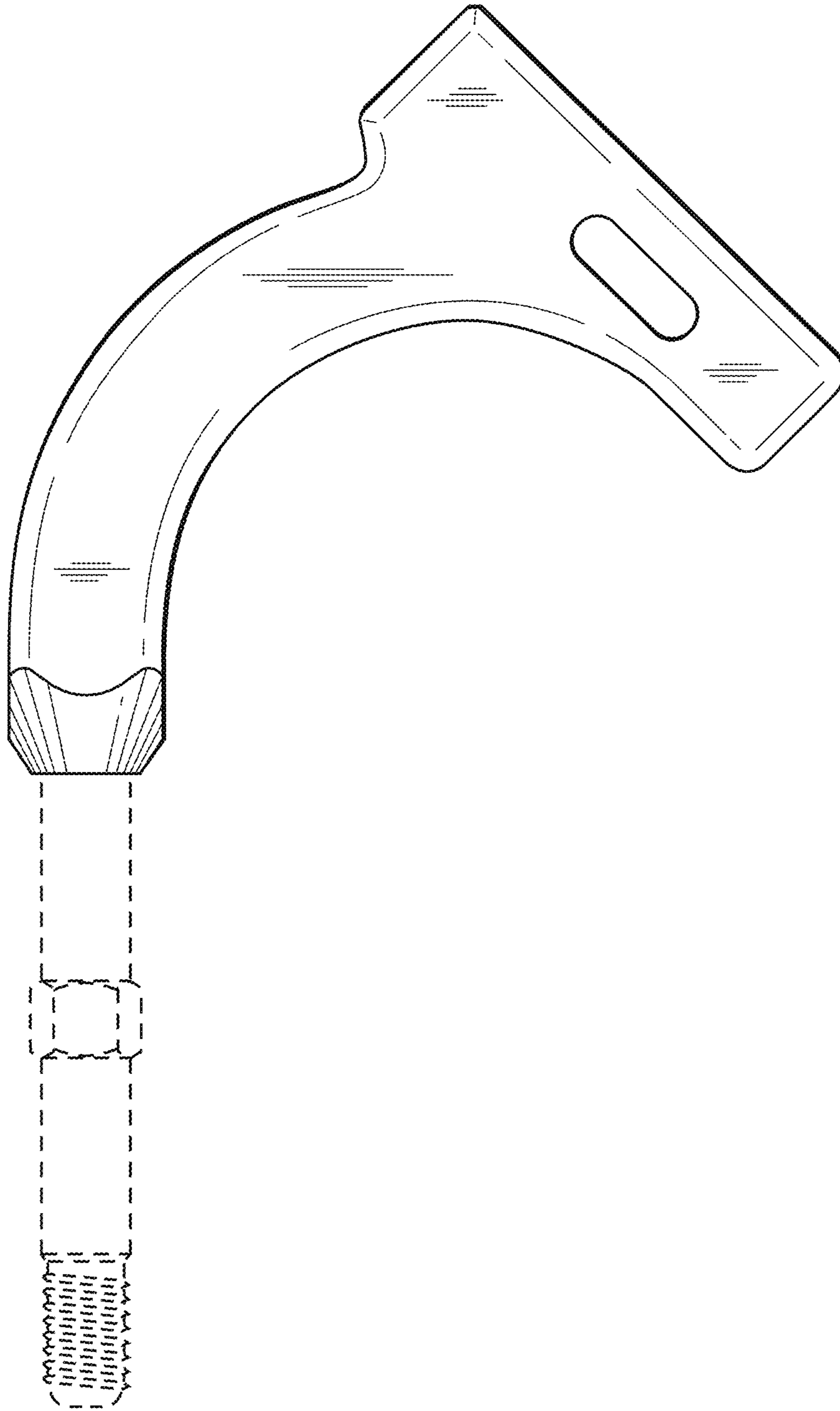


FIG. 7