



US00D808530S

(12) **United States Design Patent**
Bak et al.

(10) **Patent No.:** **US D808,530 S**

(45) **Date of Patent:** **** Jan. 23, 2018**

(54) **ADVANCED THERAPY CENTRAL POWER CONTROL UNIT**

D670,659 S * 11/2012 Ishikawa D13/168
D781,249 S * 3/2017 Park D24/158
D792,359 S * 7/2017 Nakagawa D13/168
D797,686 S * 9/2017 McRoberts D13/168

(71) Applicant: **Siemens Healthcare GmbH**, Erlangen (DE)

* cited by examiner

(72) Inventors: **Donald Bak**, Hoffman Estates, IL (US);
Nadja Roth, Bamberg (DE)

Primary Examiner — Anhdao Doan

(73) Assignee: **Siemens Healthcare GmbH** (DE)

(57) **CLAIM**

(**) Term: **15 Years**

The ornamental design for an advanced therapy central power control unit, as shown and described.

(21) Appl. No.: **29/584,803**

DESCRIPTION

(22) Filed: **Nov. 17, 2016**

(51) **LOC (11) Cl.** **24-01**

(52) **U.S. Cl.**
USPC **D24/158**

(58) **Field of Classification Search**
USPC D24/107, 158–161, 185, 186, 187, 231
CPC .. A61B 6/03; A61B 6/035; A61B 5/05; A61B 5/055; H03J 1/0025; H01H 9/0235; H04B 1/202; G08C 17/00; G08C 17/02
See application file for complete search history.

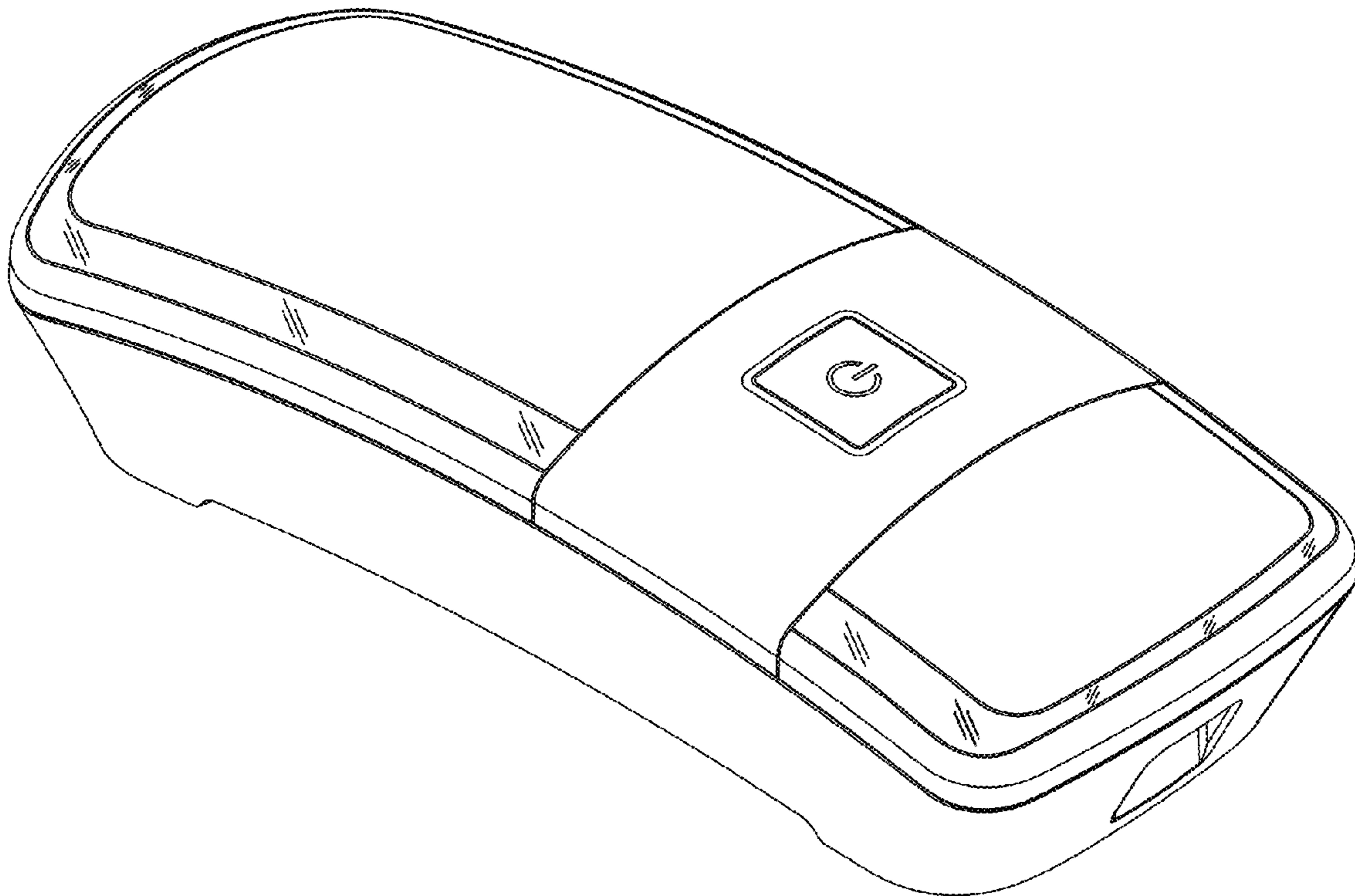
FIG. 1 is a front, top perspective view of a power control unit in accordance with an embodiment;
FIG. 2 is a rear perspective view of a power control unit in accordance with an embodiment;
FIG. 3 is a rear, bottom perspective view of a power control unit in accordance with an embodiment;
FIG. 4 is a bottom, rear perspective view of a power control unit in accordance with an embodiment;
FIG. 5 is a top view of a power control unit in accordance with an embodiment;
FIG. 6 is a left side elevational view of a power control unit in accordance with an embodiment;
FIG. 7 is a front elevational view of a power control unit in accordance with an embodiment;
FIG. 8 is a bottom view of a power control unit in accordance with an embodiment;
FIG. 9 is a right elevational view of a power control unit in accordance with an embodiment; and,
FIG. 10 is a rear elevational view of a power control unit in accordance with an embodiment.

(56) **References Cited**

U.S. PATENT DOCUMENTS

D503,804 S * 4/2005 Phleps D24/158
D606,199 S * 12/2009 Vu D13/162
D614,604 S * 4/2010 Hoehn D14/218
D639,752 S * 6/2011 Li D13/168

1 Claim, 10 Drawing Sheets



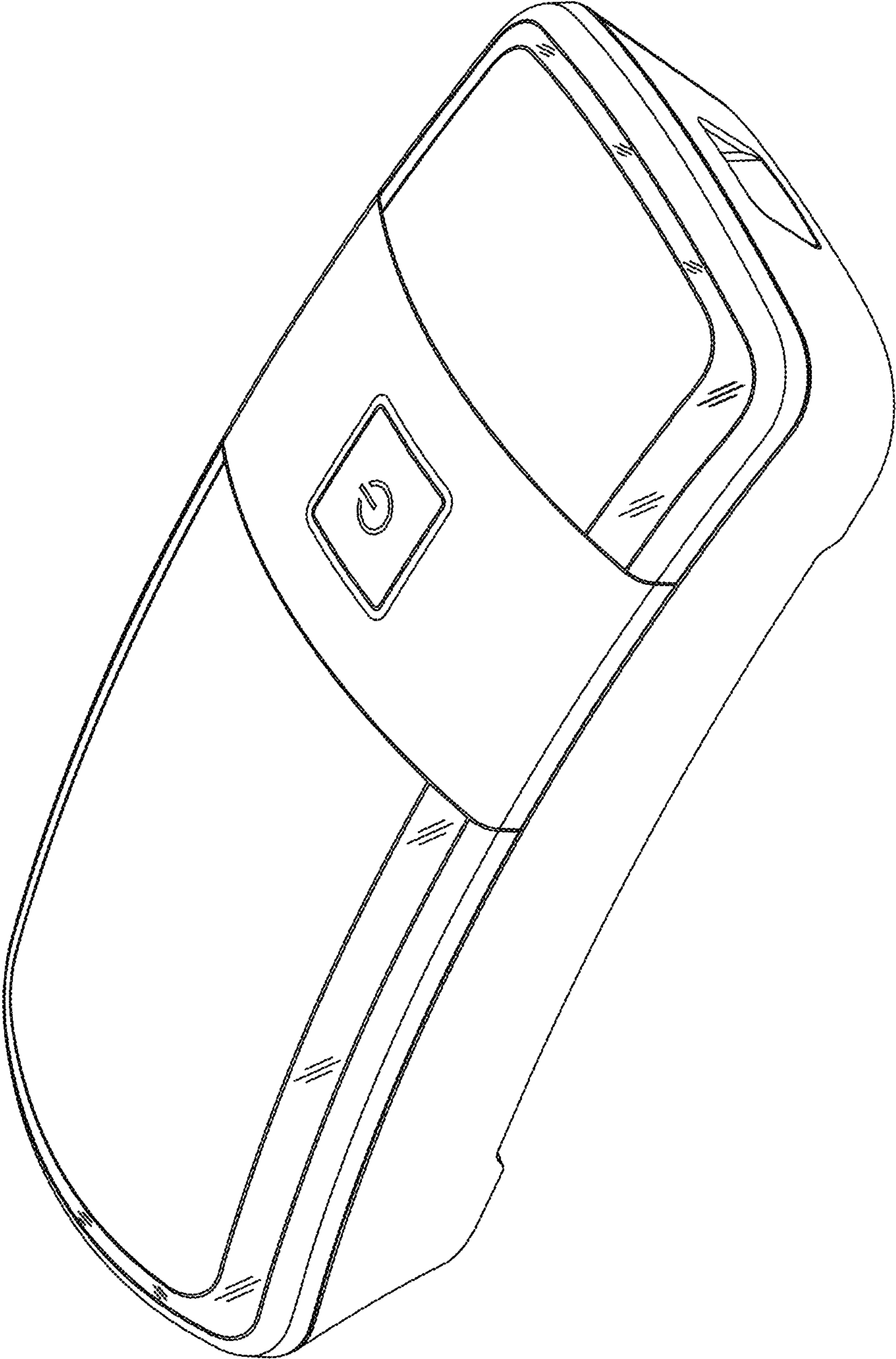


FIG. 1

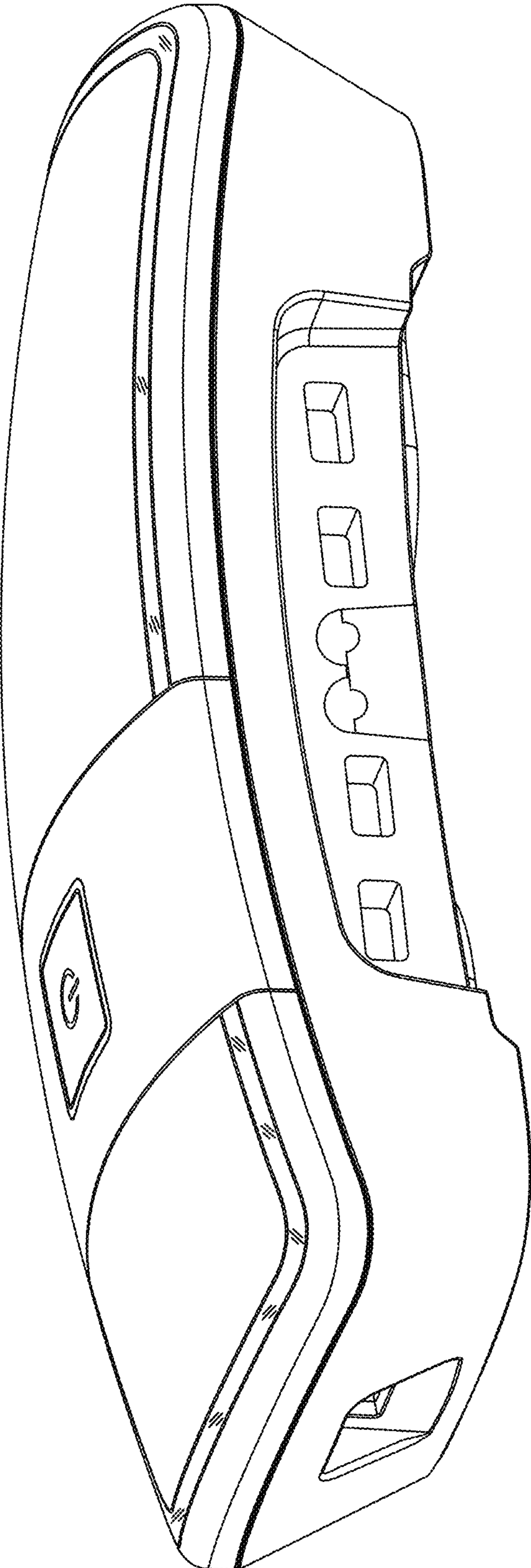


FIG. 2

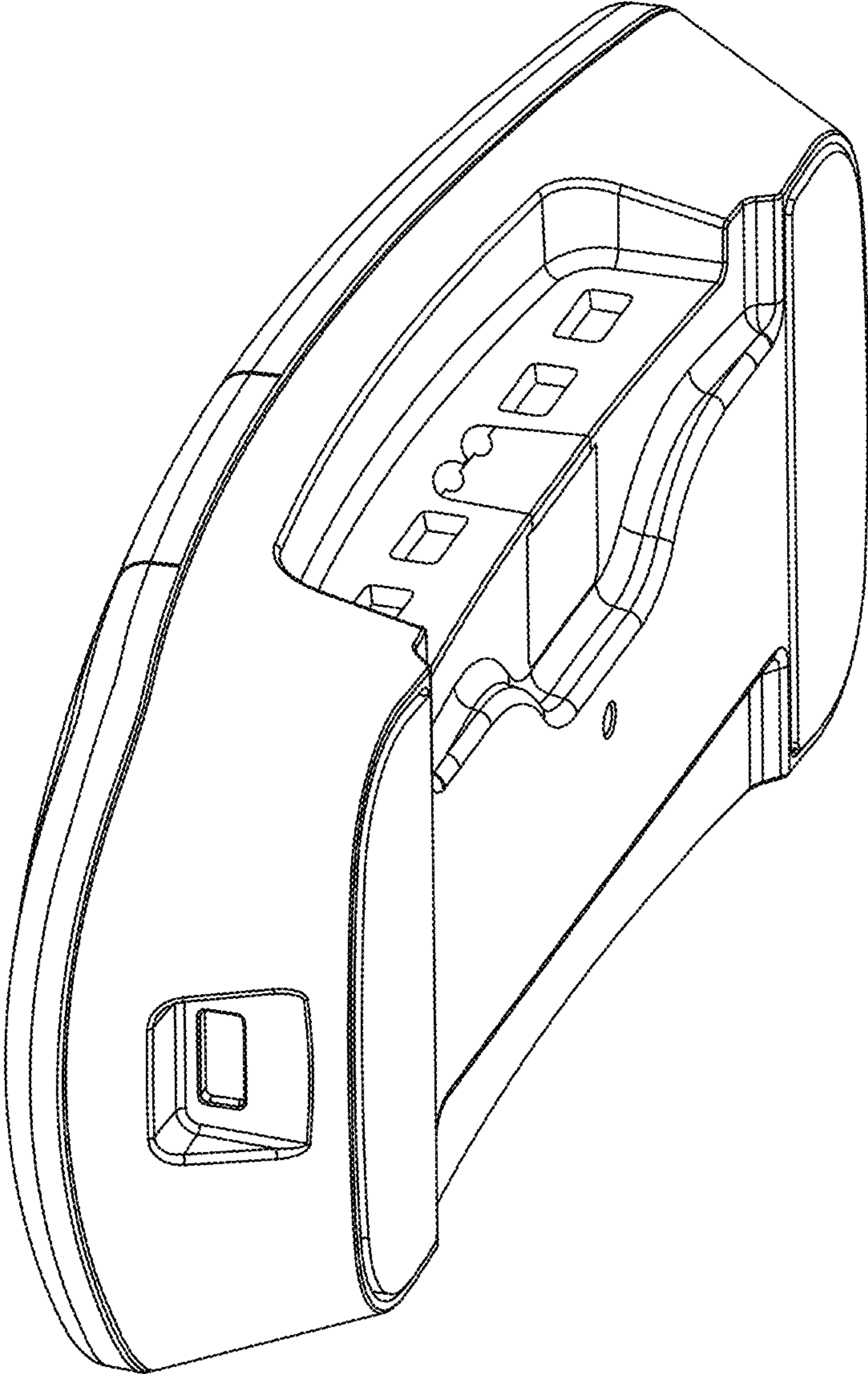


FIG. 3

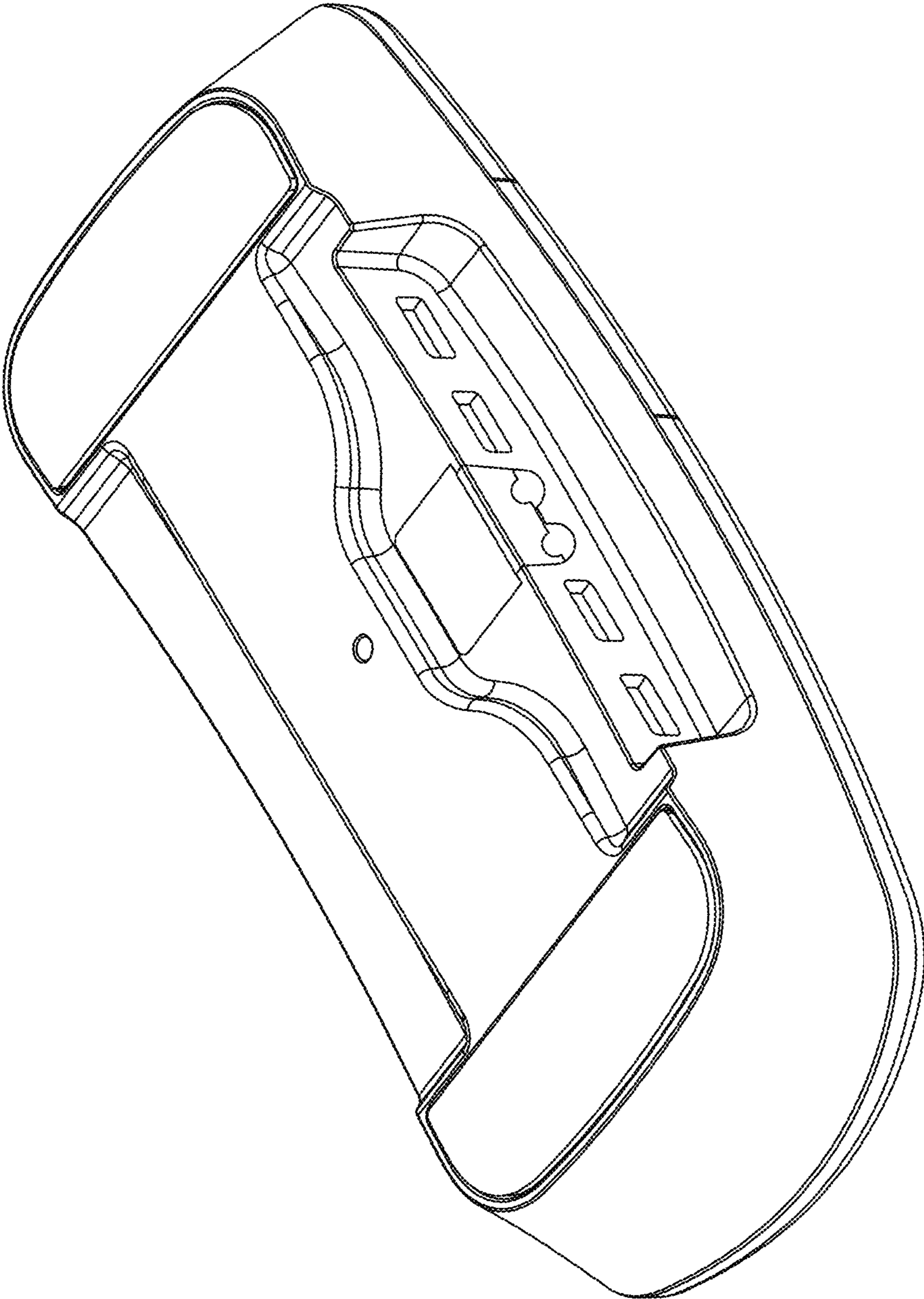


FIG. 4

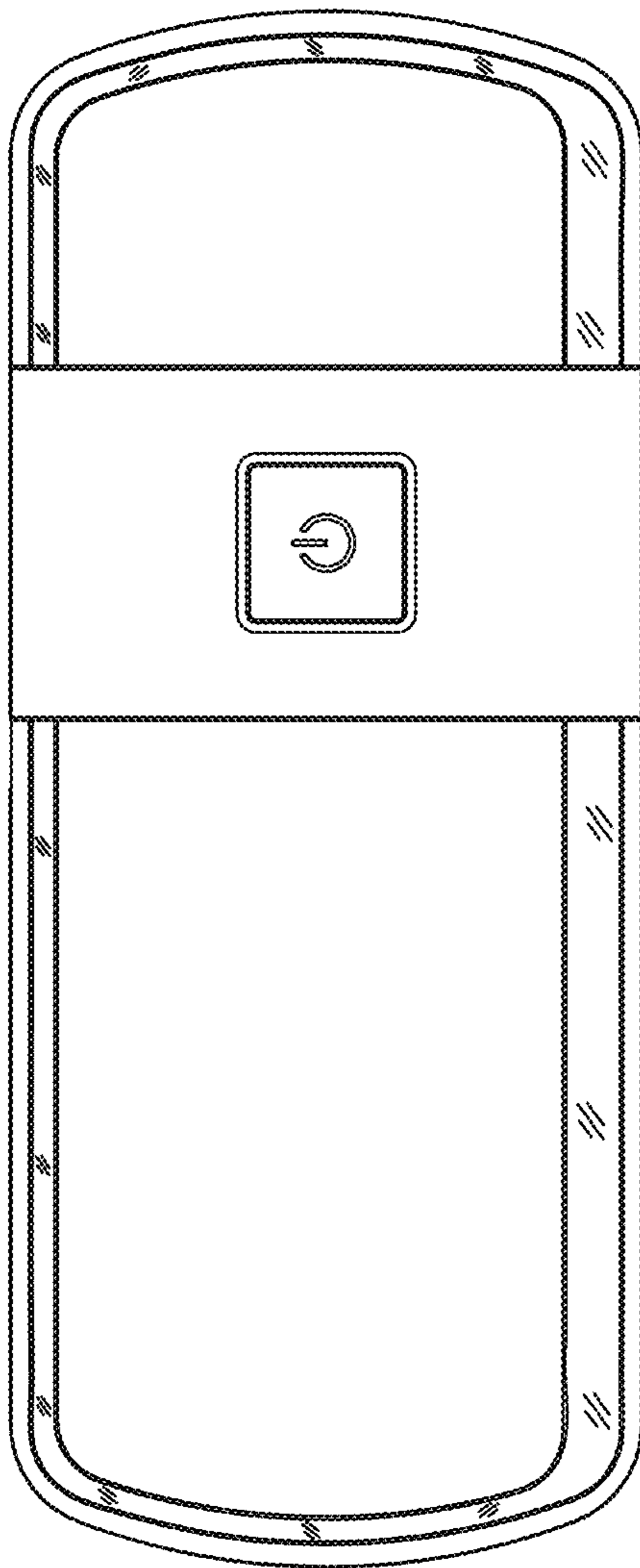


FIG. 5

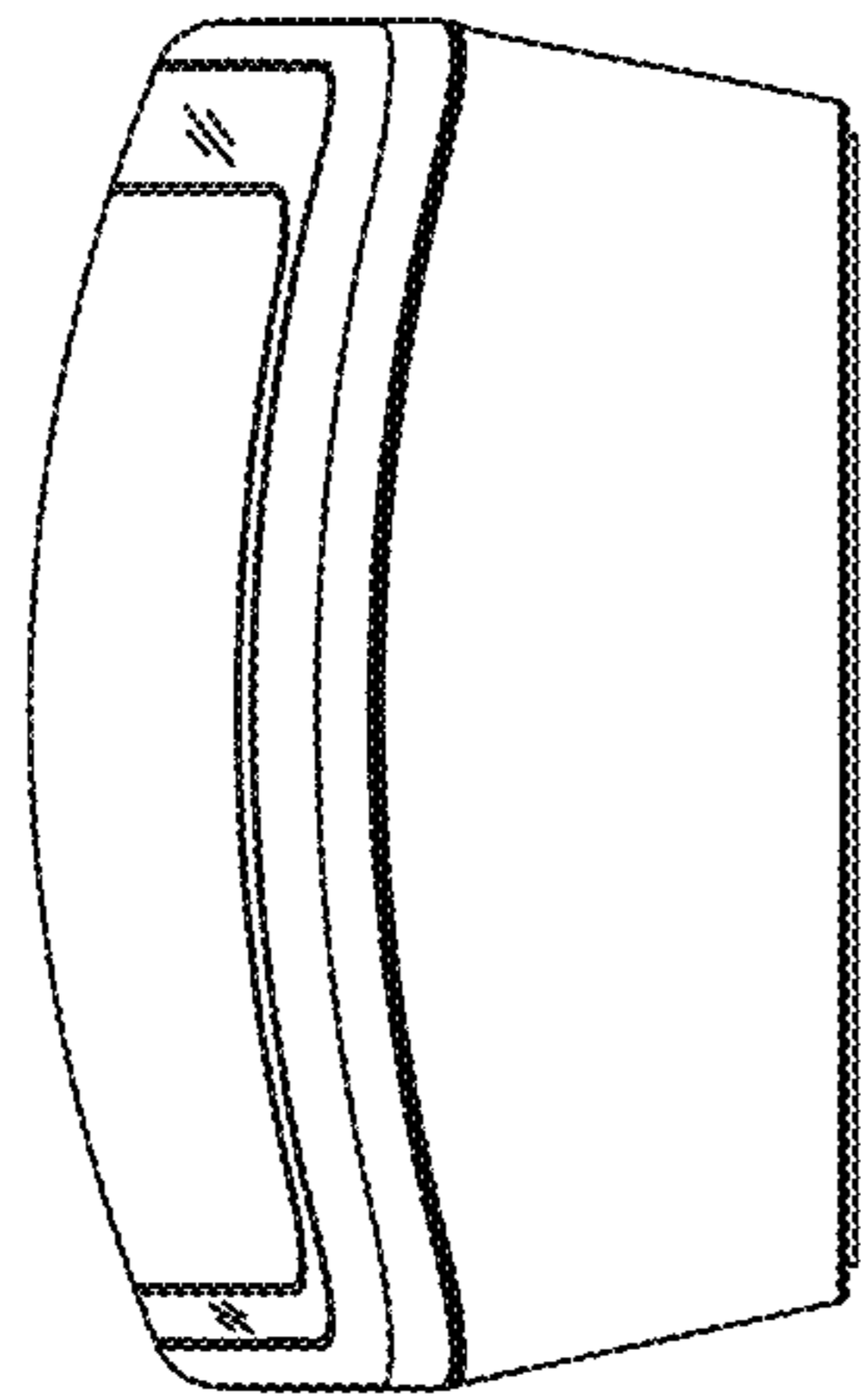


FIG. 6

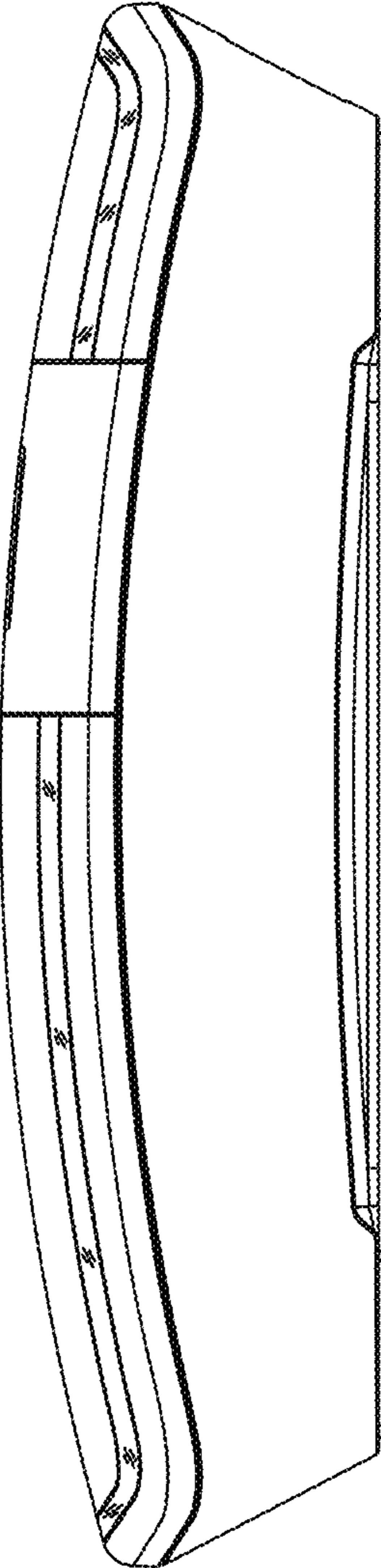


FIG. 7

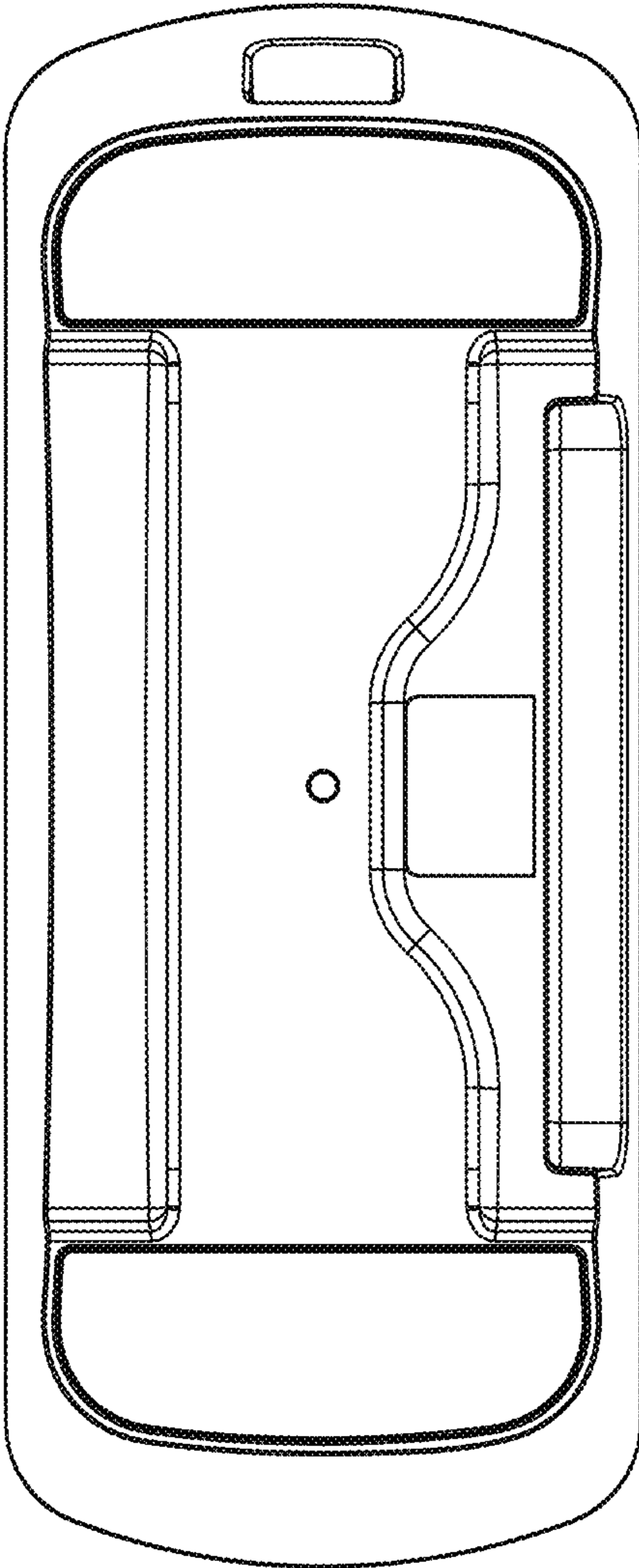


FIG. 8

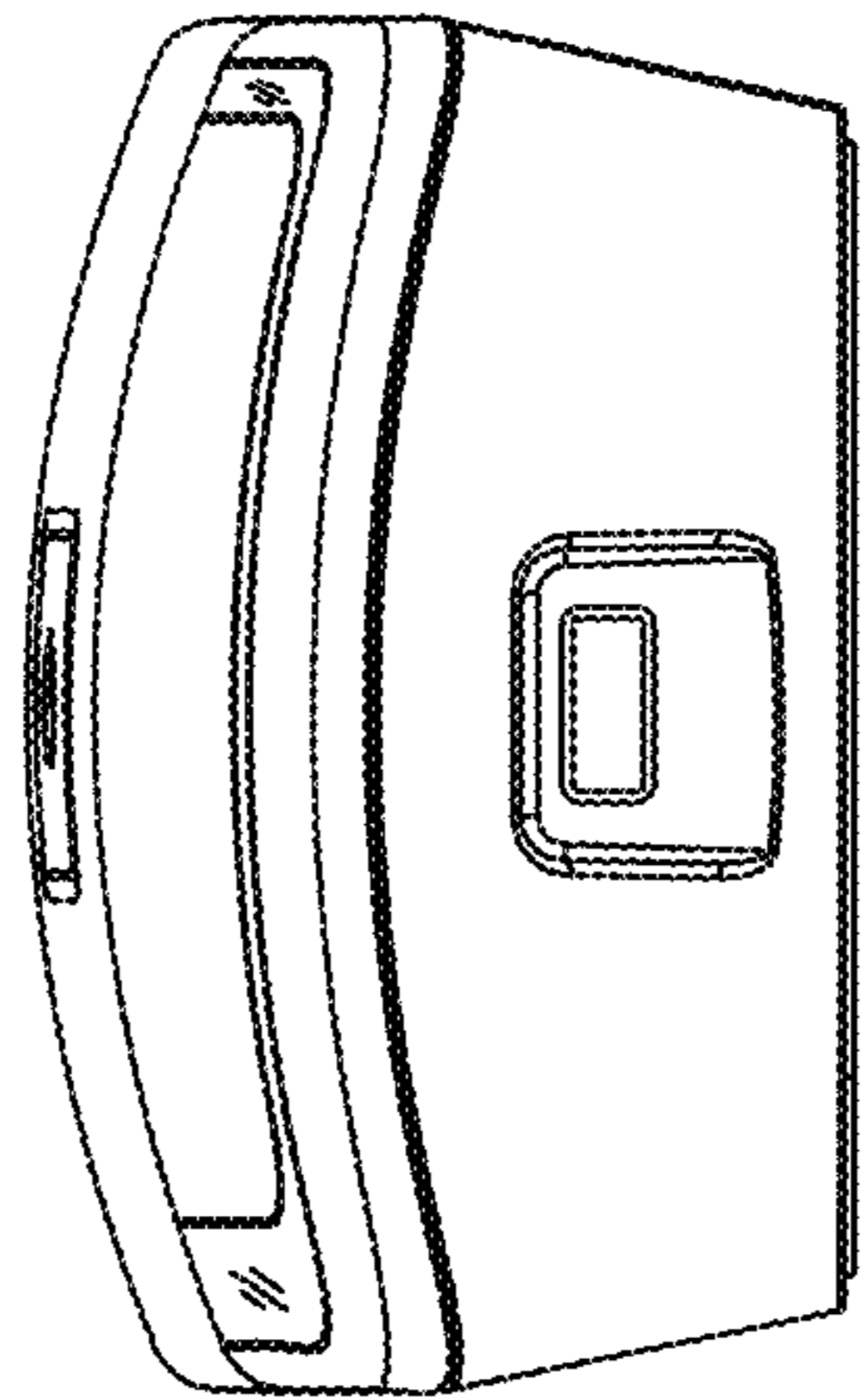


FIG. 9

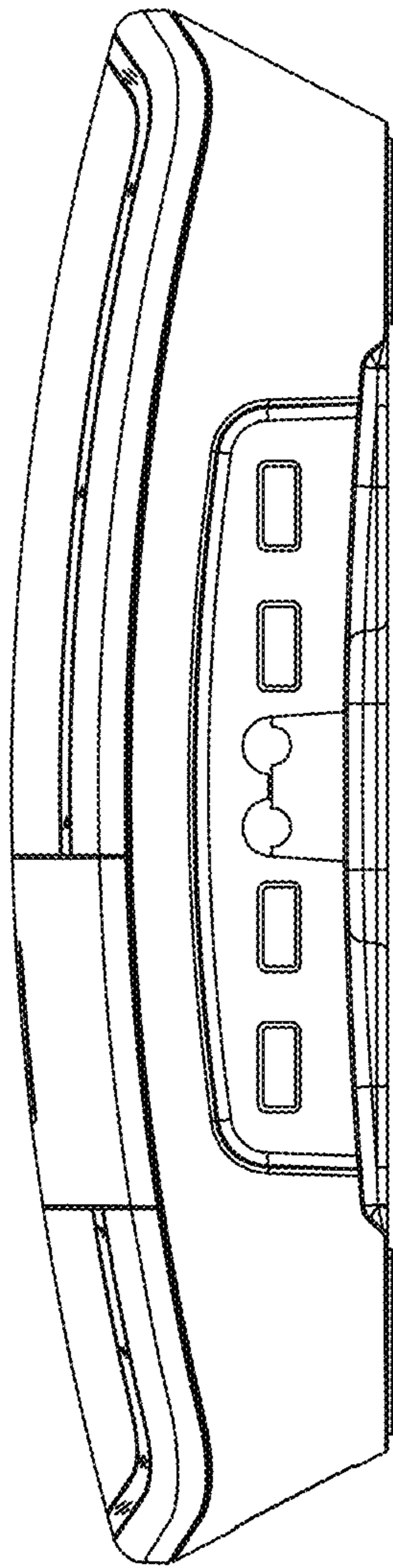


FIG. 10