



US00D808527S

(12) **United States Design Patent**  
**Wing et al.**

(10) **Patent No.:** **US D808,527 S**  
(45) **Date of Patent:** **\*\* Jan. 23, 2018**

(54) **OPTICAL COHERENCE TOMOGRAPHY SYSTEM**

(71) Applicant: **Carl Zeiss Meditec, Inc.**, Dublin, CA (US)

(72) Inventors: **Christopher T. Wing**, San Ramon, CA (US); **Kenneth D. Wood**, Portola Valley, CA (US); **Terence Kwan**, South San Francisco, CA (US); **Marcelle V. Beusekom**, San Francisco, CA (US)

(73) Assignee: **CARL ZEISS MEDITEC, INC.**, Dublin, CA (US)

(\*\*) Term: **15 Years**

(21) Appl. No.: **29/562,034**

(22) Filed: **Apr. 21, 2016**

(51) **LOC (11) Cl.** ..... **24-01**

(52) **U.S. Cl.**  
USPC ..... **D24/158; D24/172**

(58) **Field of Classification Search**  
USPC ..... D24/107, 158–161, 185, 186, 187, 231, D24/150, 172; D16/200  
CPC ..... A61B 3/102; A61B 3/1216; A61B 5/0035; A61B 5/0066; A61B 5/0073; G01B 9/02042; G01B 9/02043  
See application file for complete search history.

(56) **References Cited**

U.S. PATENT DOCUMENTS

D552,736 S *	10/2007	Yamaoka	.....	D24/172
D614,774 S *	4/2010	Gausmann	.....	D24/160
D705,430 S *	5/2014	Sekine	.....	D24/172
D738,510 S *	9/2015	Wing	.....	D24/172
9,618,325 B2 *	4/2017	Brown	.....	G01B 9/02044
2017/0172407 A1 *	6/2017	Kowal	.....	A61B 3/102

OTHER PUBLICATIONS

“Avanti RTVUE XR—Widefield Enface OCT”, Optovue Innovations, Nov. 15, 2013, 6 pages.

“Cirrus HD-OCT Model 400”, Carl Zeiss Meditec Inc., 2009, 2 pages.

“Cirrus HD-OCT—Certainty in Seconds. Certainty for Years”, Carl Zeiss Meditec Inc., 2011, 8 pages.

(Continued)

*Primary Examiner* — Anhdao Doan

(74) *Attorney, Agent, or Firm* — Morrison & Foerster LLP

(57) **CLAIM**

The ornamental design for an optical coherence tomography system, as shown and described.

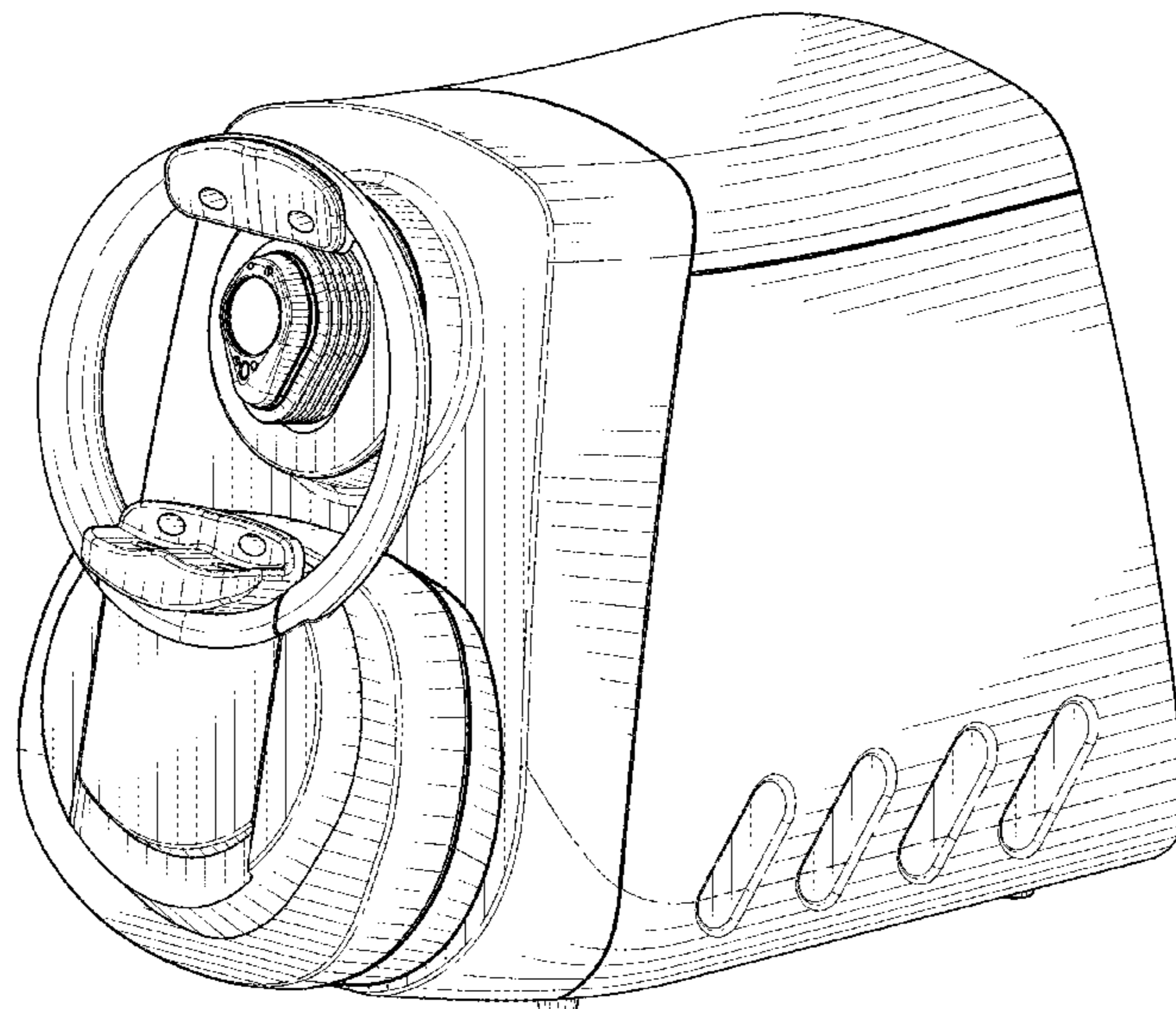
**DESCRIPTION**

FIG. 1 is a front top right perspective view of a first embodiment of an optical coherence tomography system; FIG. 2 is a rear top left perspective view of the first embodiment;

FIG. 3 is a front view of the first embodiment; FIG. 4 is a rear view of the first embodiment; FIG. 5 is a left side view of the first embodiment; FIG. 6 is a right side view of the first embodiment; FIG. 7 is a top view of the first embodiment; FIG. 8 is a bottom view of the first embodiment; FIG. 9 is a front top right perspective view of a second embodiment of an optical coherence tomography system; FIG. 10 is a rear top left perspective view of the second embodiment;

FIG. 11 is a front view of the second embodiment; FIG. 12 is a rear view of the second embodiment; FIG. 13 is a left side view of the second embodiment; FIG. 14 is a right side view of the second embodiment; FIG. 15 is a top view of the second embodiment; and, FIG. 16 is a bottom view of the second embodiment.

**1 Claim, 16 Drawing Sheets**



(56)

**References Cited**

OTHER PUBLICATIONS

“DRI OCT Triton Series—Swept Source Optical Coherence Tomography”, A Topcon Advanced Diagnosis Solution, Mar. 30, 2015, 11 pages.

“OCT-HS100—Optical Coherence Tomography”, Canon Inc., 2012, 6 pages.

“Optical Coherence Tomography—3D OCT-1 Maestro”, A Topcon Advanced Diagnosis Solution, Jun. 2016, 12 pages.

“Primus 200—The Essential OCT”, Carl Zeiss Meditec Inc., 2015, 6 pages.

“RS-3000—OCT RetinaScan”, Nidek Co. Ltd., 2008, 12 pages.

“RS-3000 Advance / Lite”, Nidek Co. Ltd., 2012, 12 pages.

“RTVue Fourier-Domain Optical Coherence Tomography System”, Optovue Inc., Nov. 2006, 6 pages.

“Stratus OCT™ Software Version 4.0—Real Answers in Real Time.”, Cataract, Glaucoma, Retina, Refractive, Carl Zeiss Meditec Inc., Jan. 2006, pp. 1-12.

“The Cirrus HD-OCT 5000 and 500”, Carl Zeiss Meditec Inc., 2012, 14 pages.

“Visante™ OCT—Anterior Segment Imaging & Biometry.”, Cataract, Glaucoma, Retina, Refractive, Carl Zeiss Meditec Inc., Oct. 2006, 4 pages.

\* cited by examiner

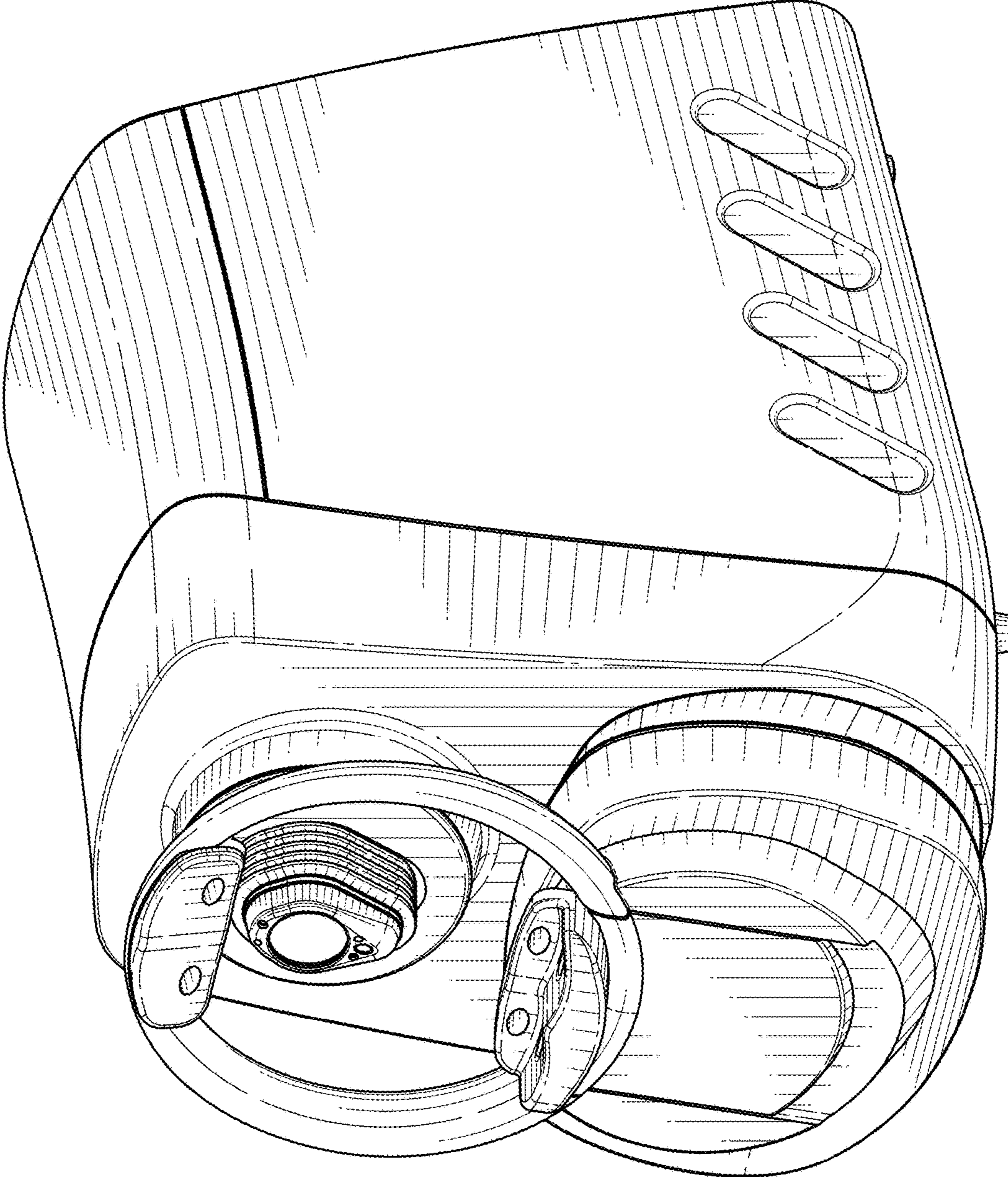


FIG. 1

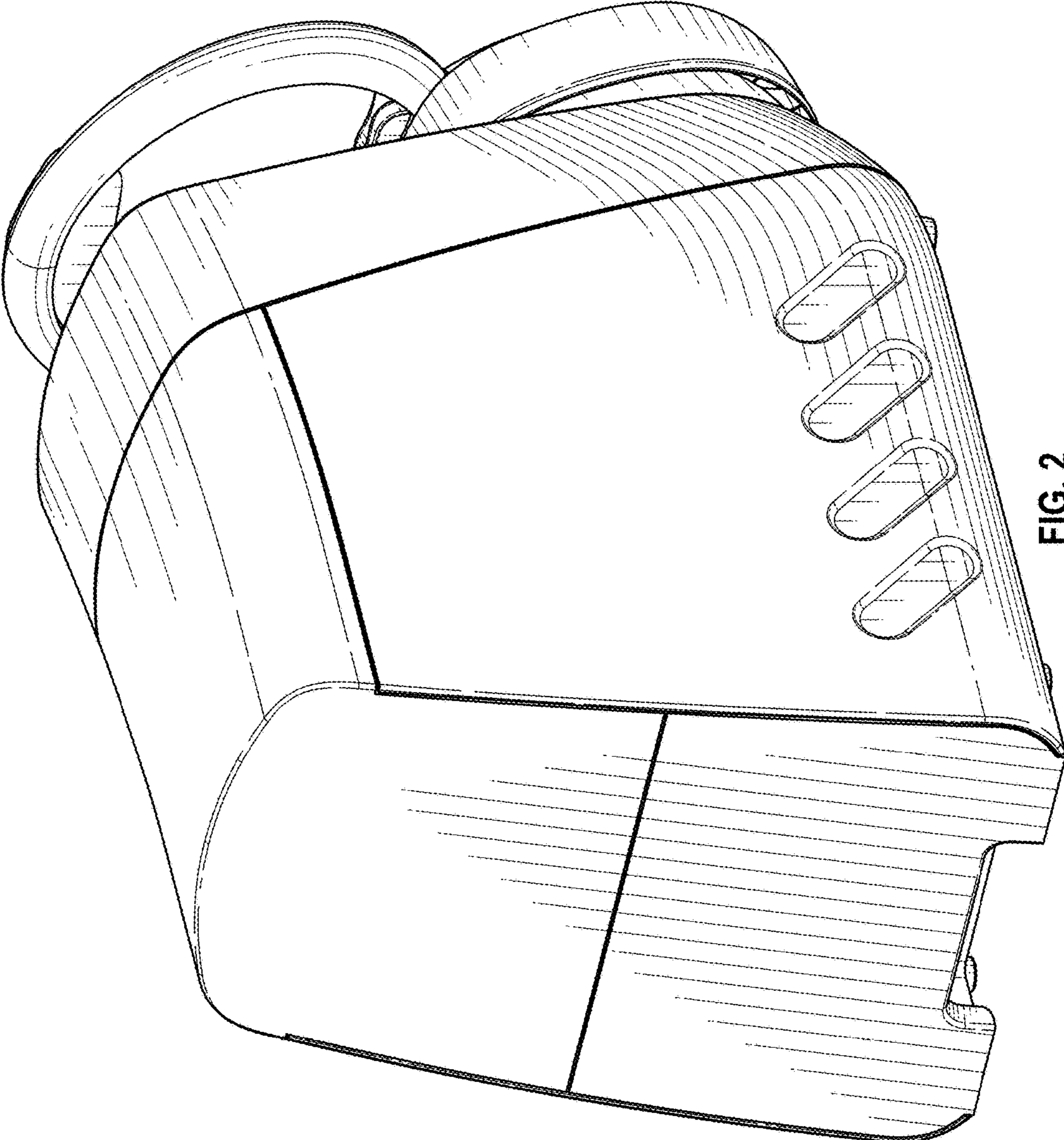


FIG. 2

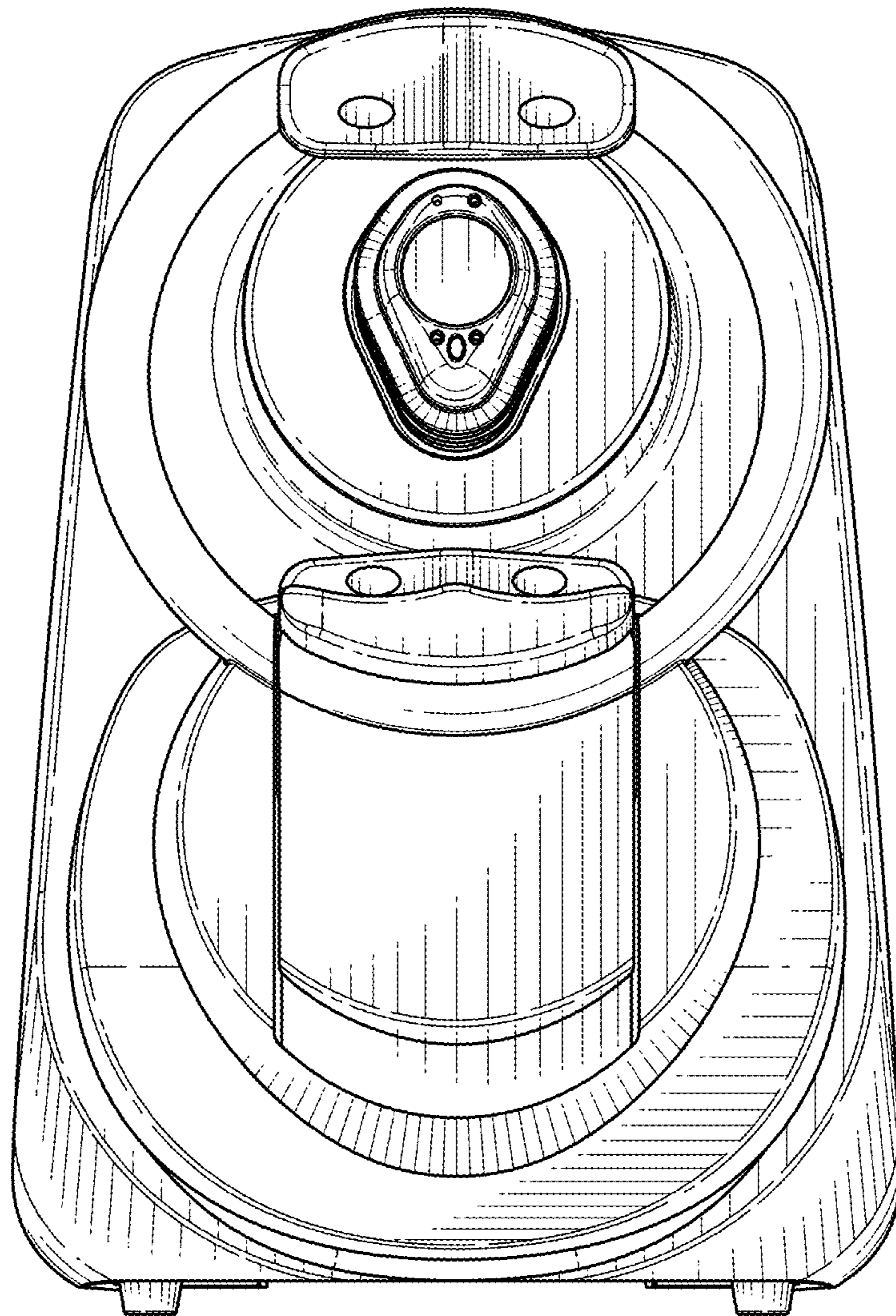


FIG. 3

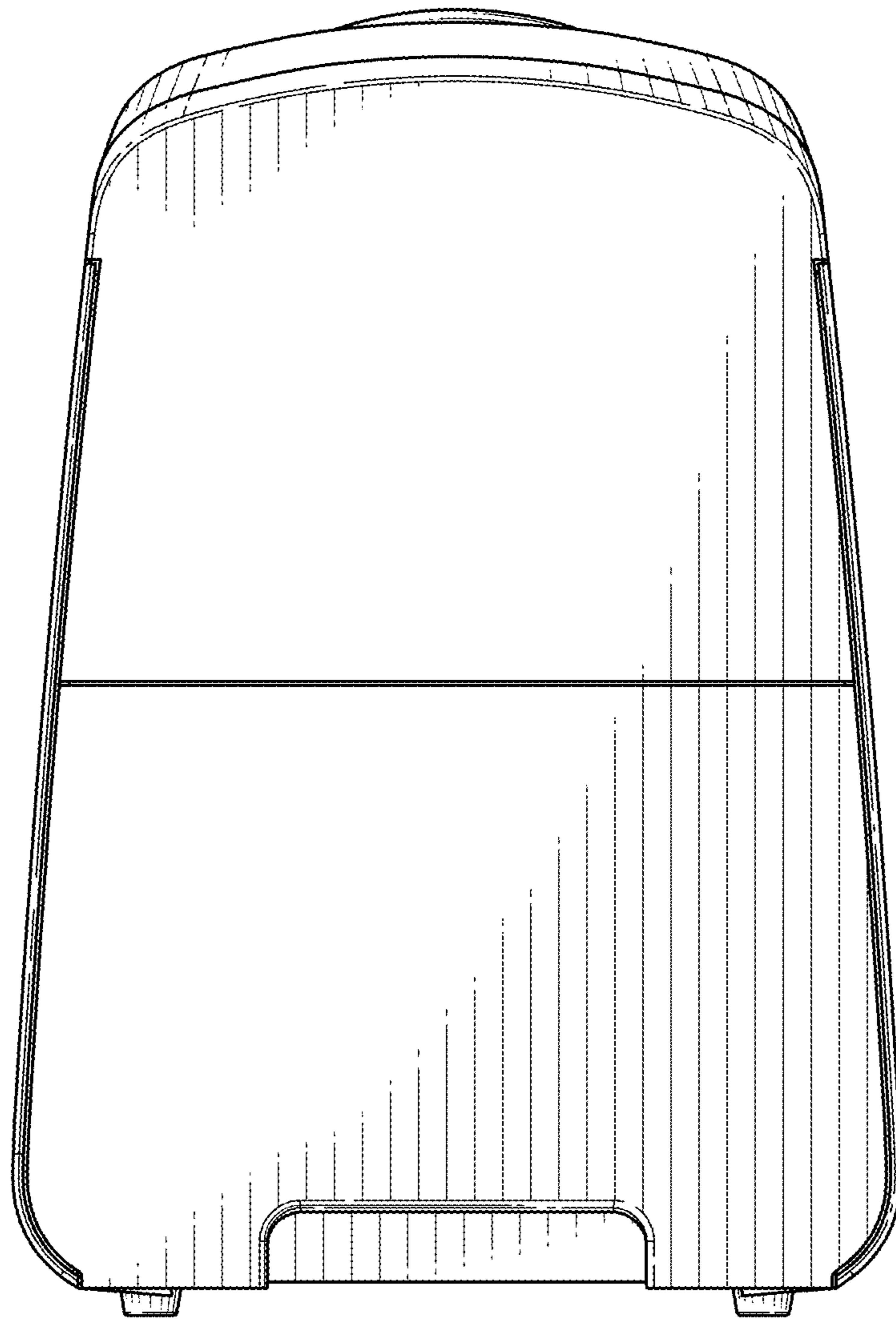


FIG. 4

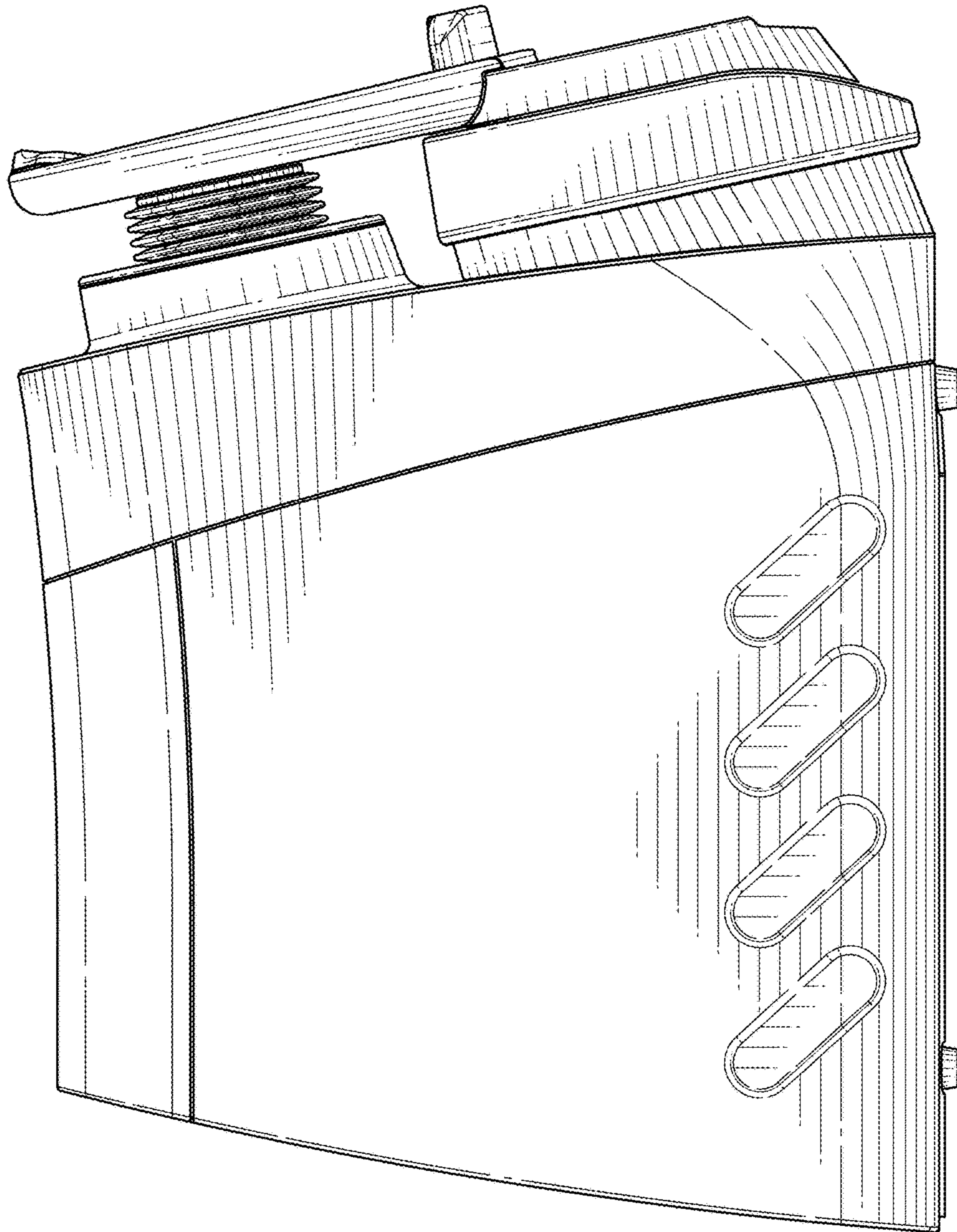


FIG. 5

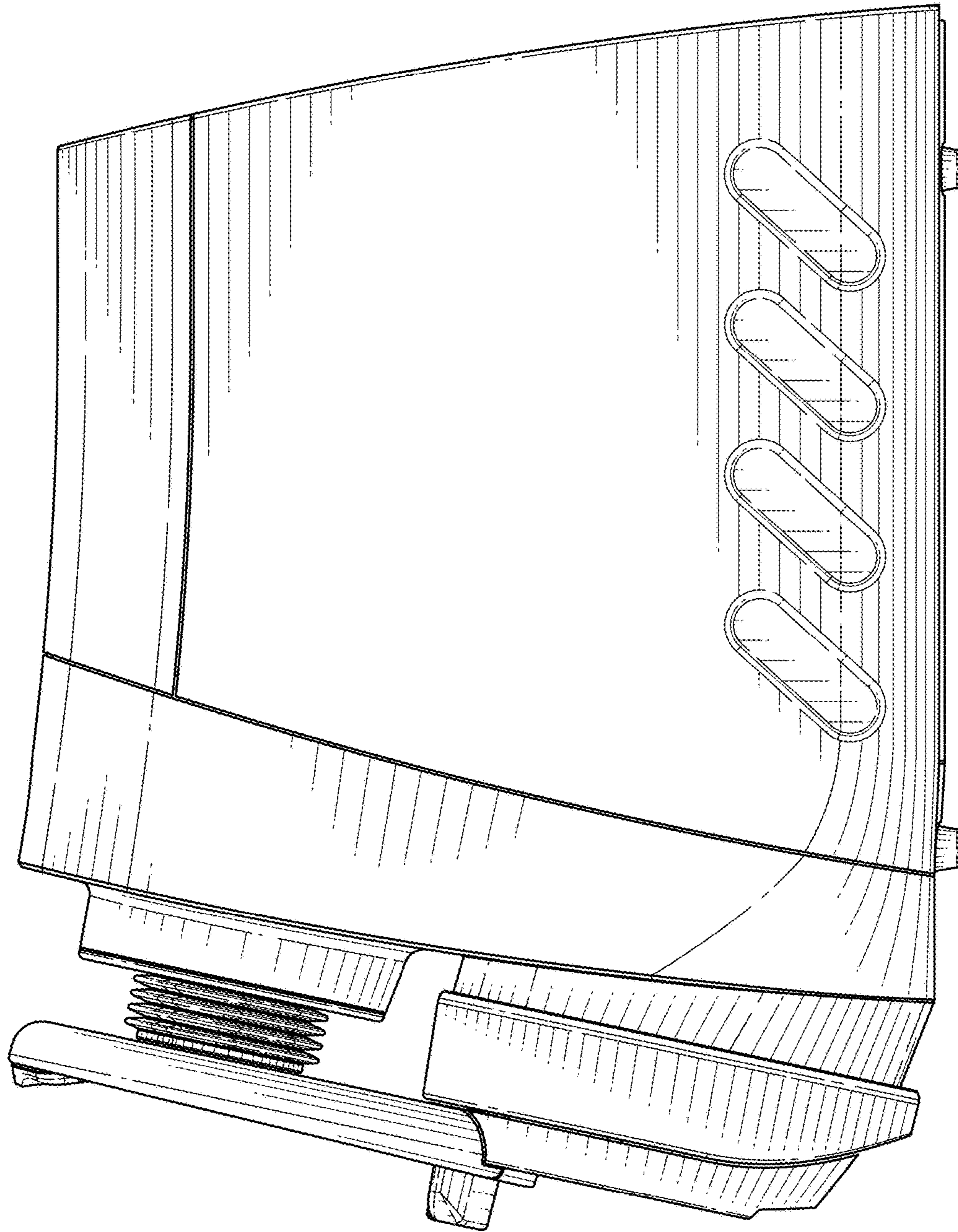


FIG. 6



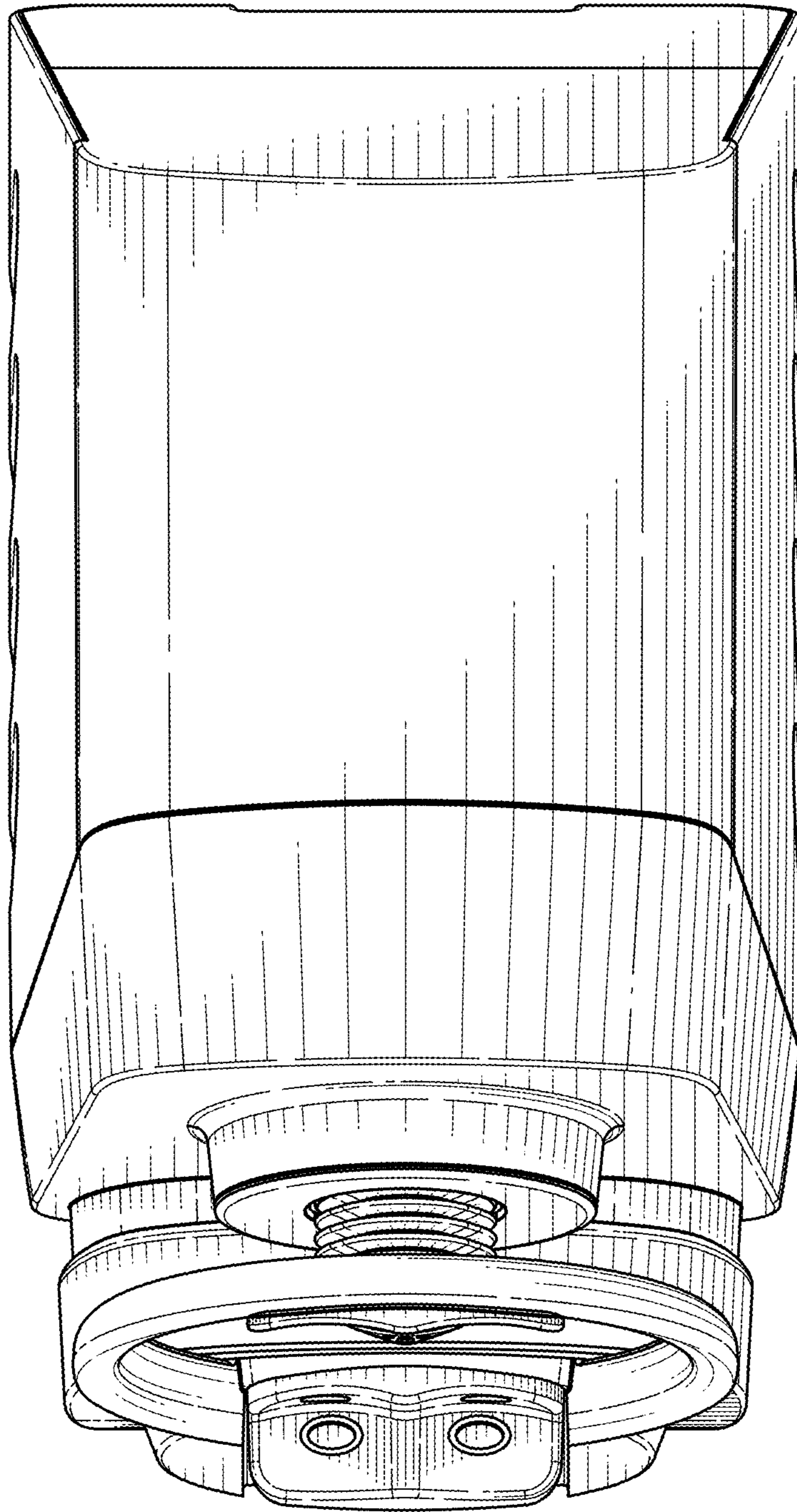


FIG. 7

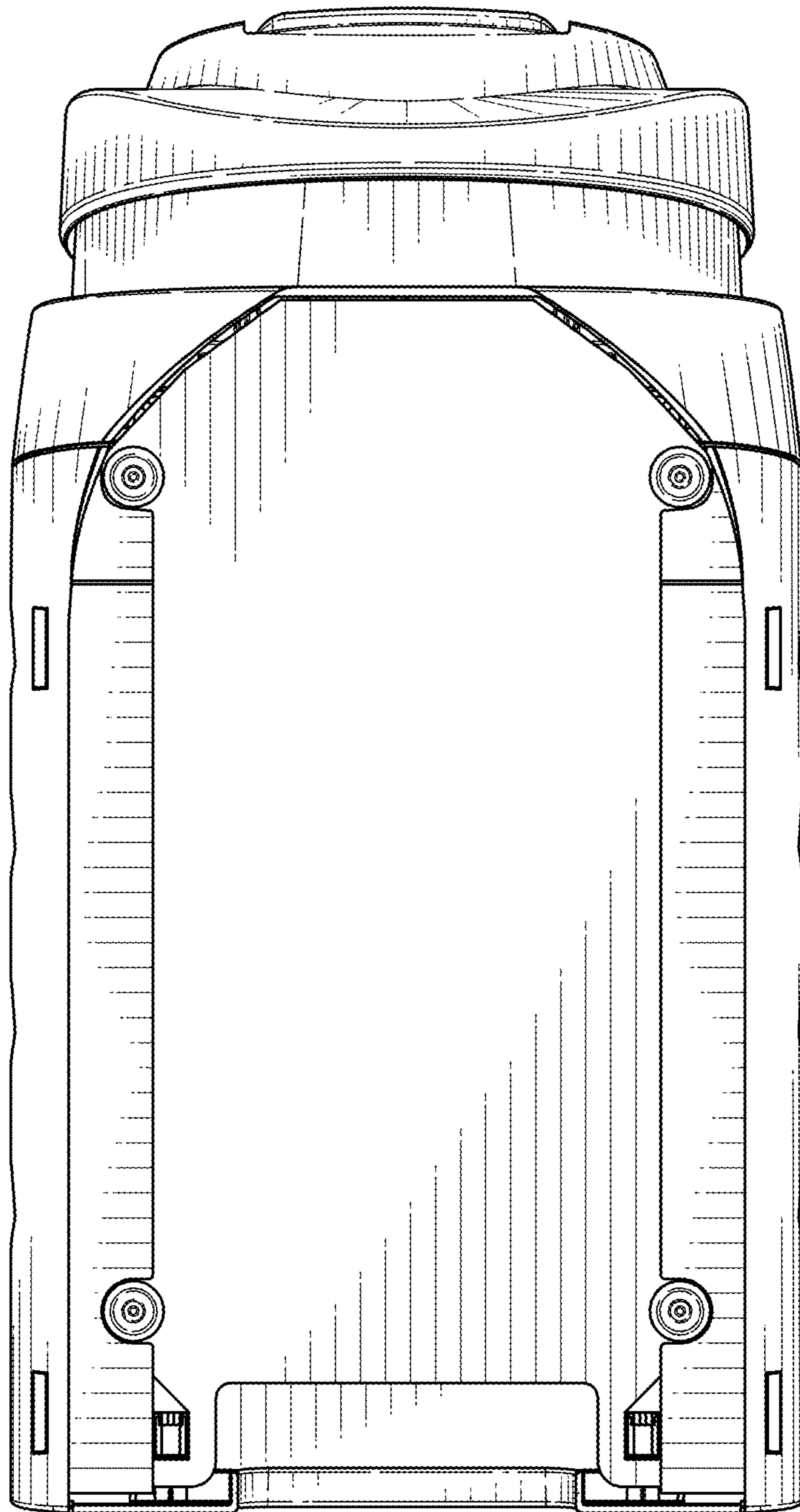


FIG. 8

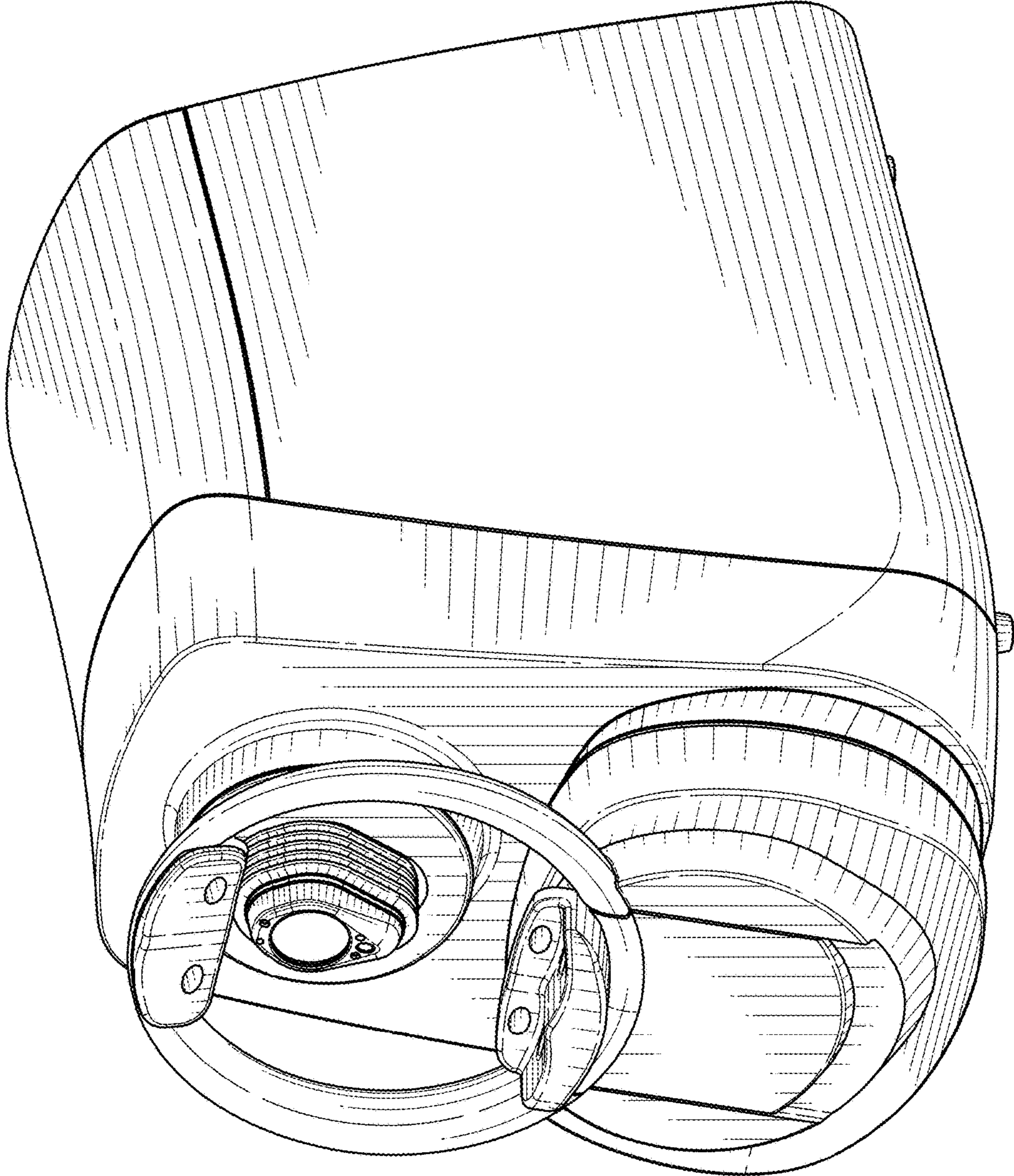


FIG. 9

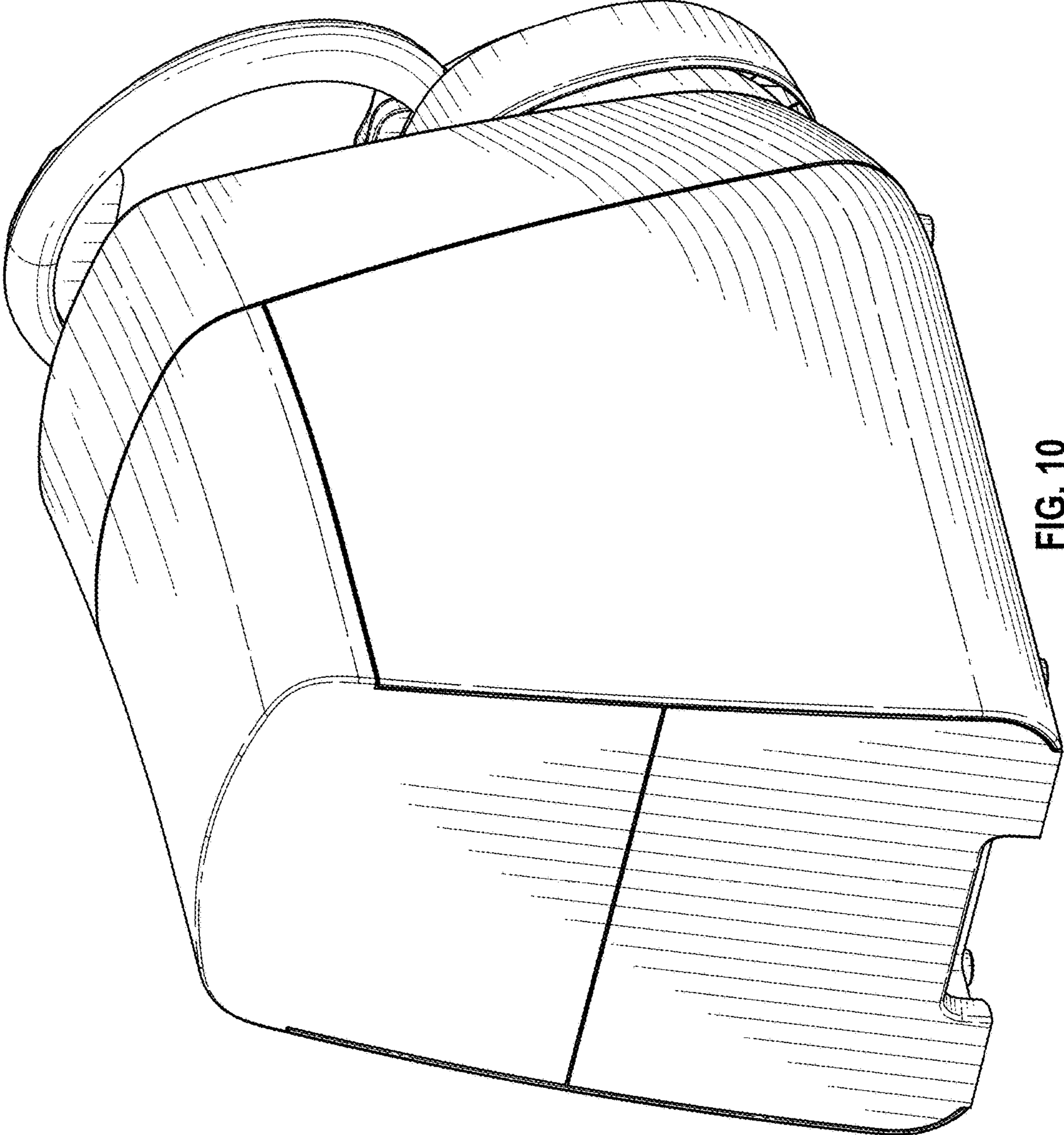


FIG. 10

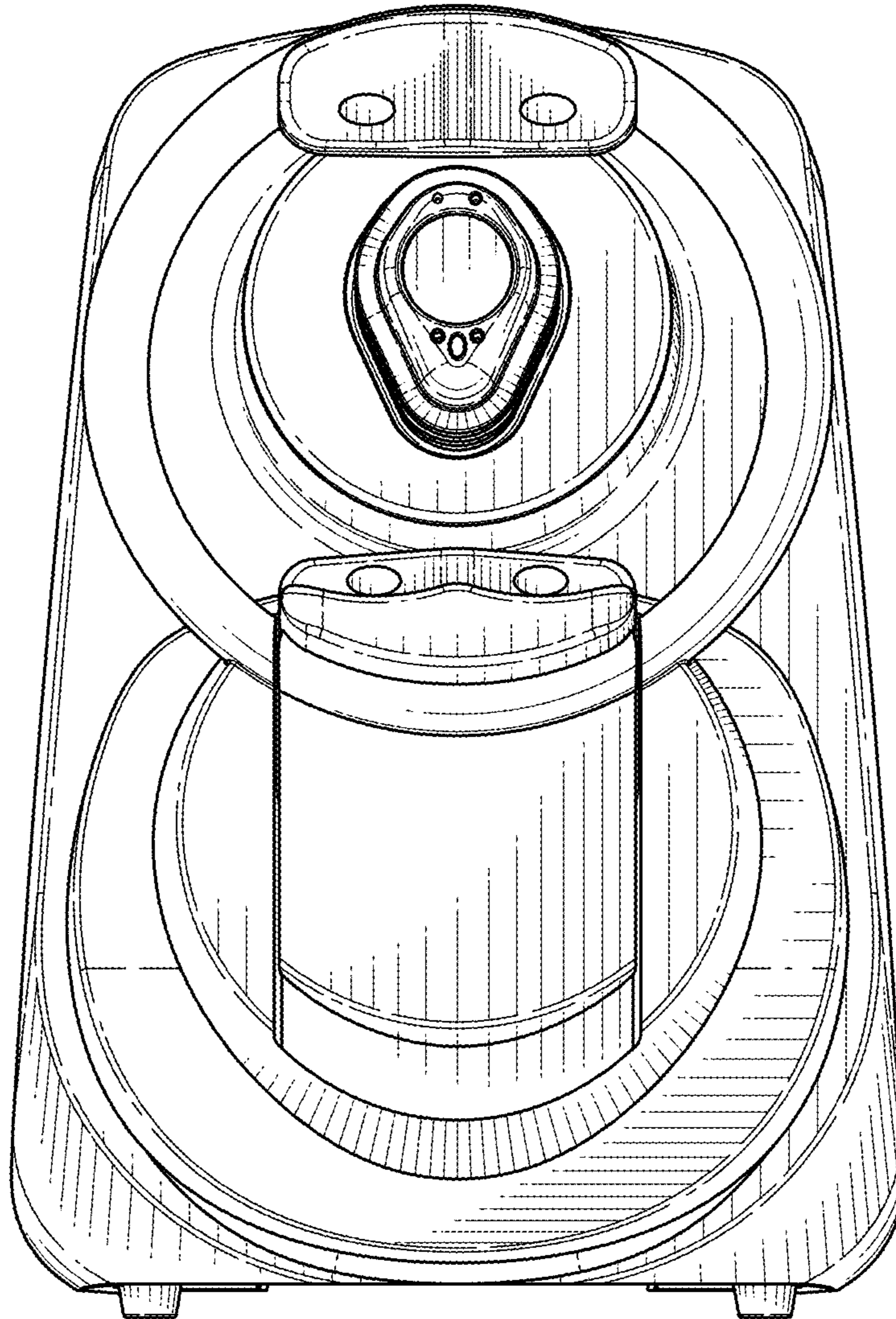


FIG. 11

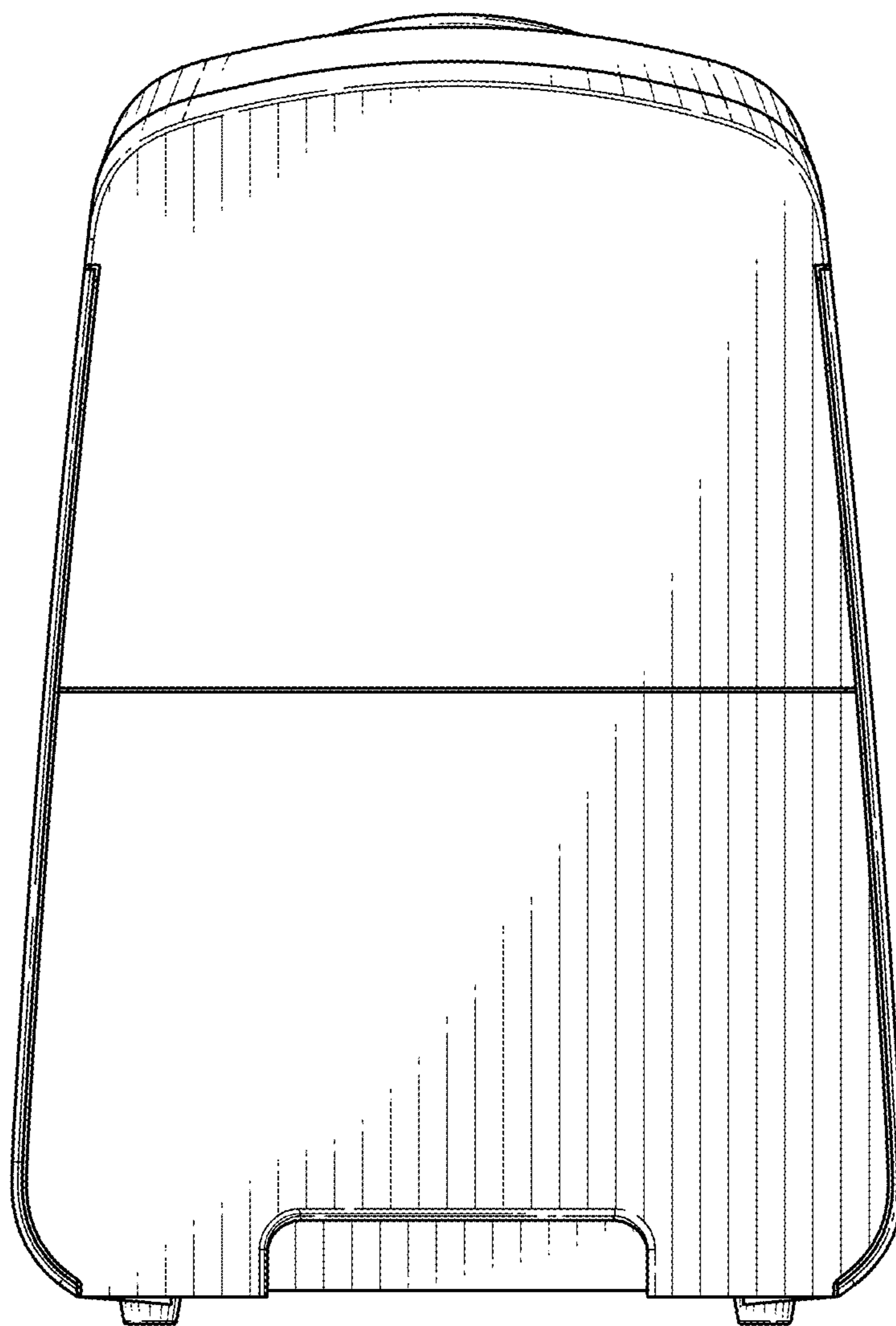


FIG. 12

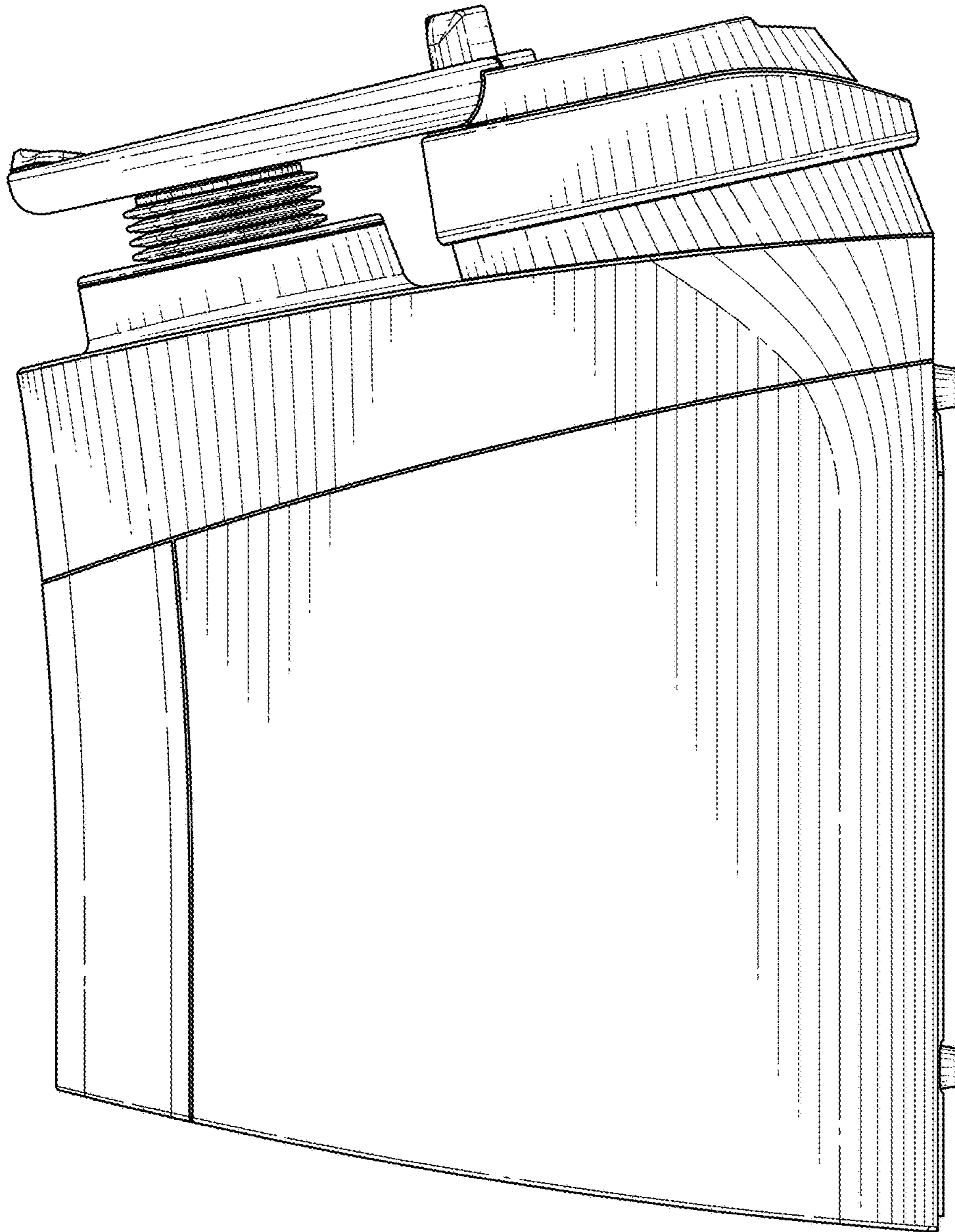


FIG. 13

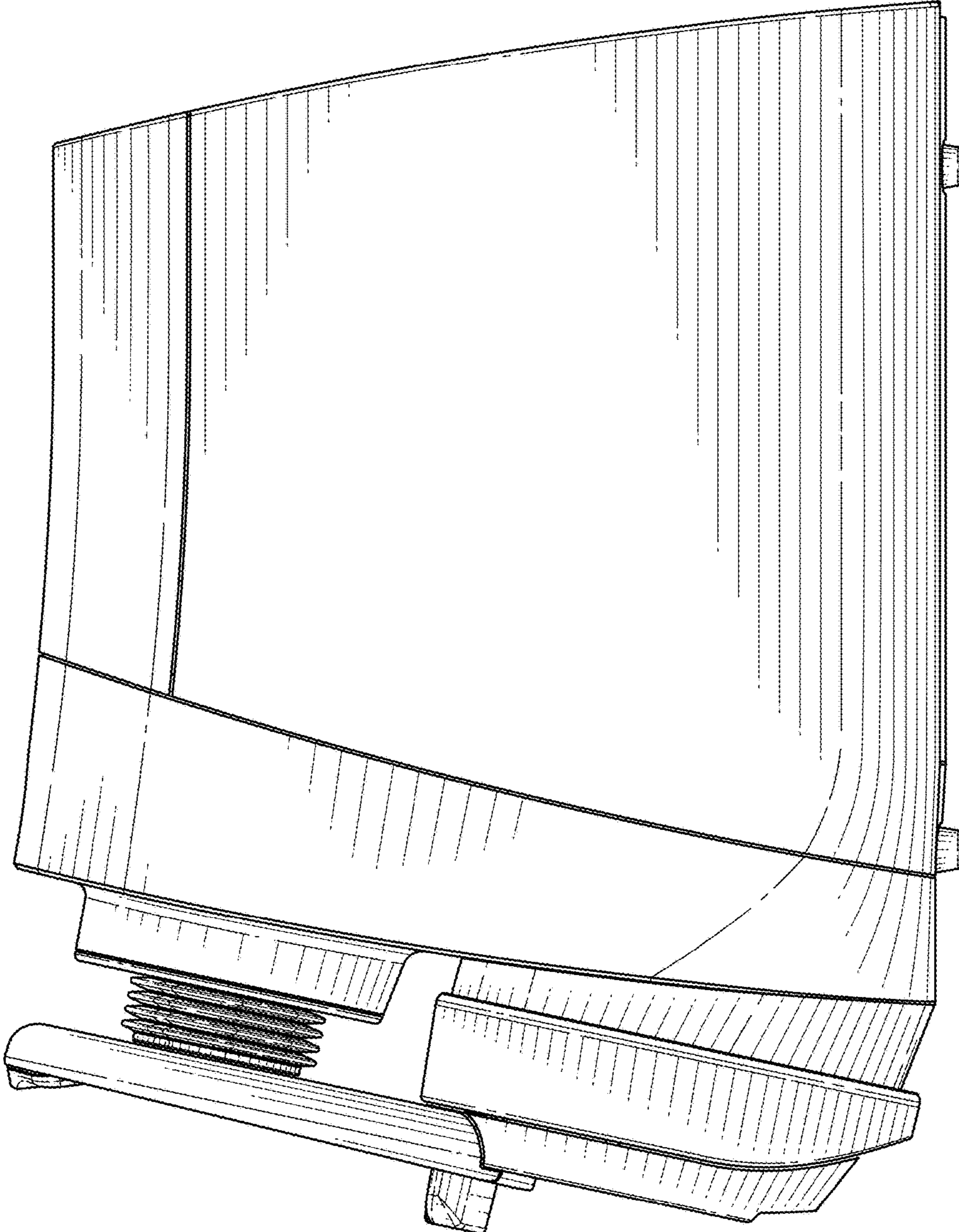


FIG. 14



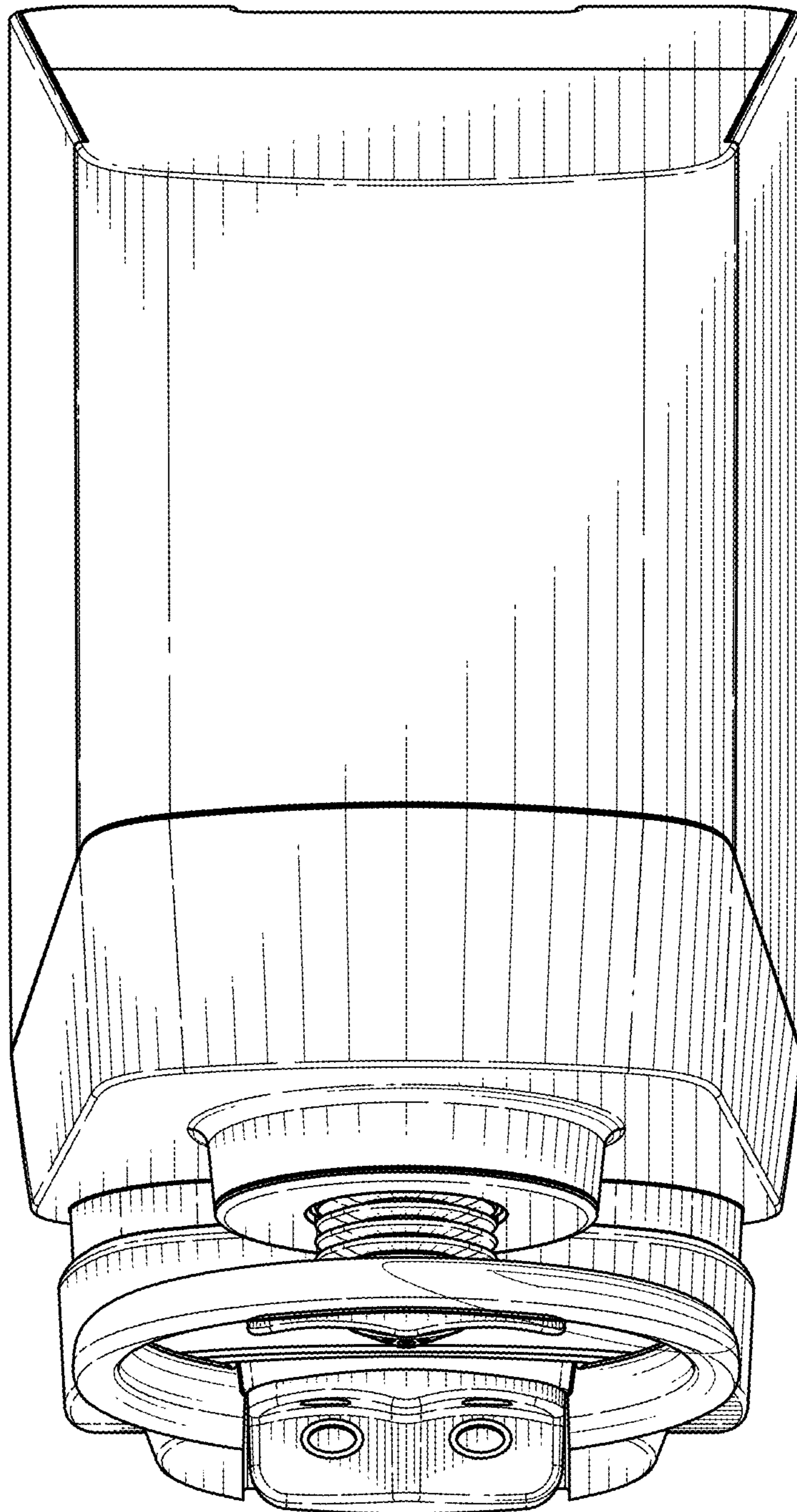


FIG. 15

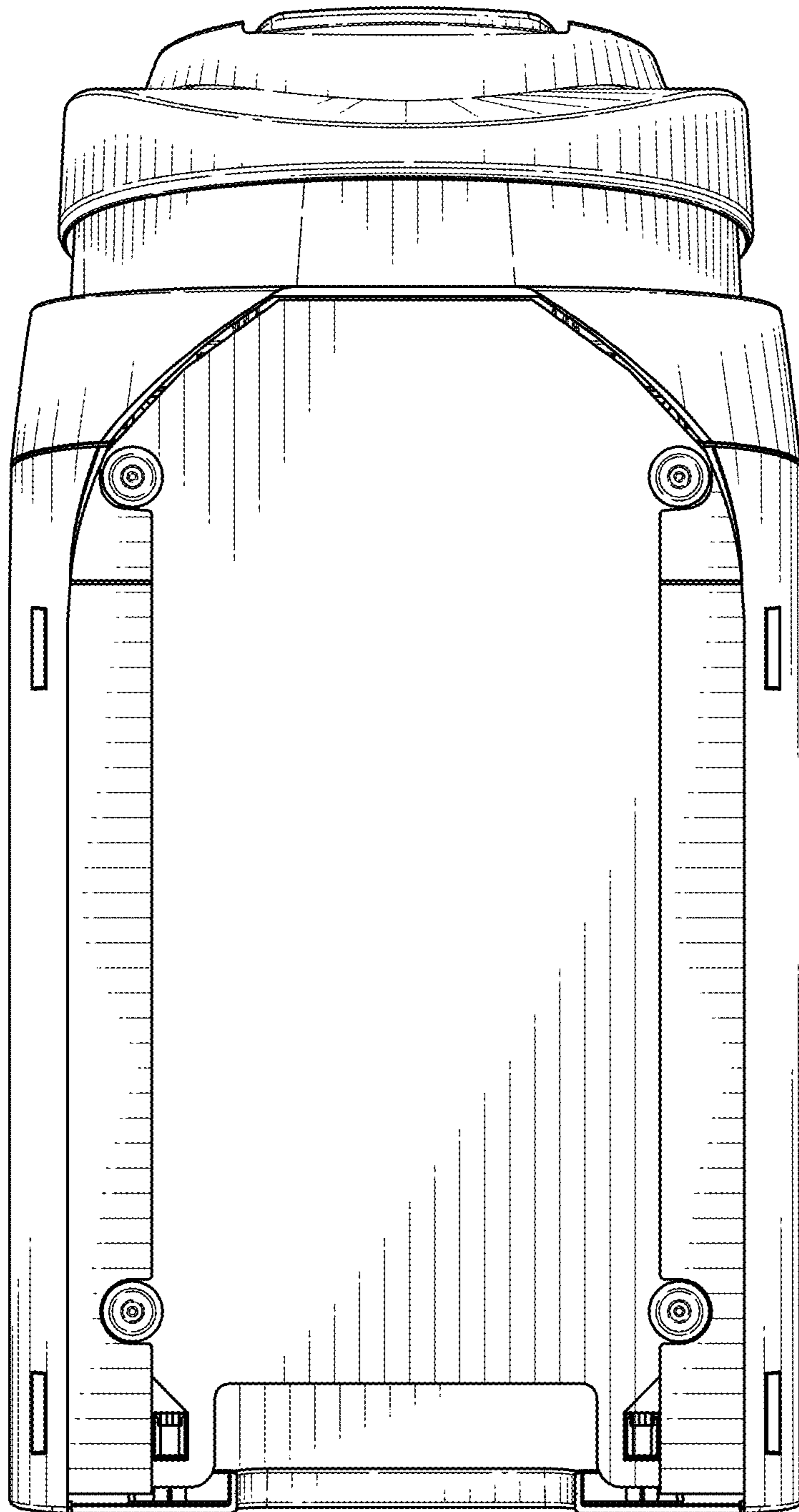


FIG. 16