



US00D808526S

(12) **United States Design Patent**
Kim et al.

(10) **Patent No.:** **US D808,526 S**
(45) **Date of Patent:** **** Jan. 23, 2018**

(54) **ABUTMENT FOR DENTAL IMPLANT**
(71) Applicant: **TRUABUTMENT KOREA, INC.**,
Bucheon-si (KR)
(72) Inventors: **Hyung Ick Kim**, Fullerton, CA (US);
Sung Yong Kim, Seoul (KR)
(73) Assignee: **TRUABUTMENT KOREA, INC.**,
Bucheon-si (KR)
(**) Term: **15 Years**
(21) Appl. No.: **29/579,788**
(22) Filed: **Oct. 3, 2016**

6,024,567 A * 2/2000 Callan A61C 8/0048
433/173
D441,448 S * 5/2001 Kumar D24/156
D486,914 S * 2/2004 Schulte D24/156
D493,535 S * 7/2004 Whitehead D24/156
D507,052 S * 7/2005 Wohrle D24/156
D511,833 S * 11/2005 Wohrle D24/156
D528,210 S * 9/2006 Boettcher D24/156
D567,947 S * 4/2008 Lerner D24/156
D580,059 S * 11/2008 Boettcher D24/156
D587,373 S * 2/2009 Purga D24/156
D611,603 S * 3/2010 Noguchi D24/156
D611,604 S * 3/2010 Aoyagi D24/156
D616,097 S * 5/2010 Johnson D24/156
D652,929 S * 1/2012 Sibhatu D24/156
D663,032 S * 7/2012 Mashio D24/156
D663,419 S * 7/2012 Mashio D24/156
D667,955 S * 9/2012 Spahn D24/156

* cited by examiner

(30) **Foreign Application Priority Data**
Apr. 5, 2016 (KR) 30-2016-0015884
(51) **LOC (11) Cl.** **24-02**
(52) **U.S. Cl.**
USPC **D24/156**
(58) **Field of Classification Search**
USPC D24/155-157
CPC A61C 8/00; A61C 8/0089; A61C 8/0069;
A61C 8/0054; A61C 8/0096; A61C
8/0039; A61C 8/0063; A61C 8/006; A61C
8/0001; A61C 8/0012; A61C 8/0075;
A61C 8/0083; A61C 13/225
See application file for complete search history.

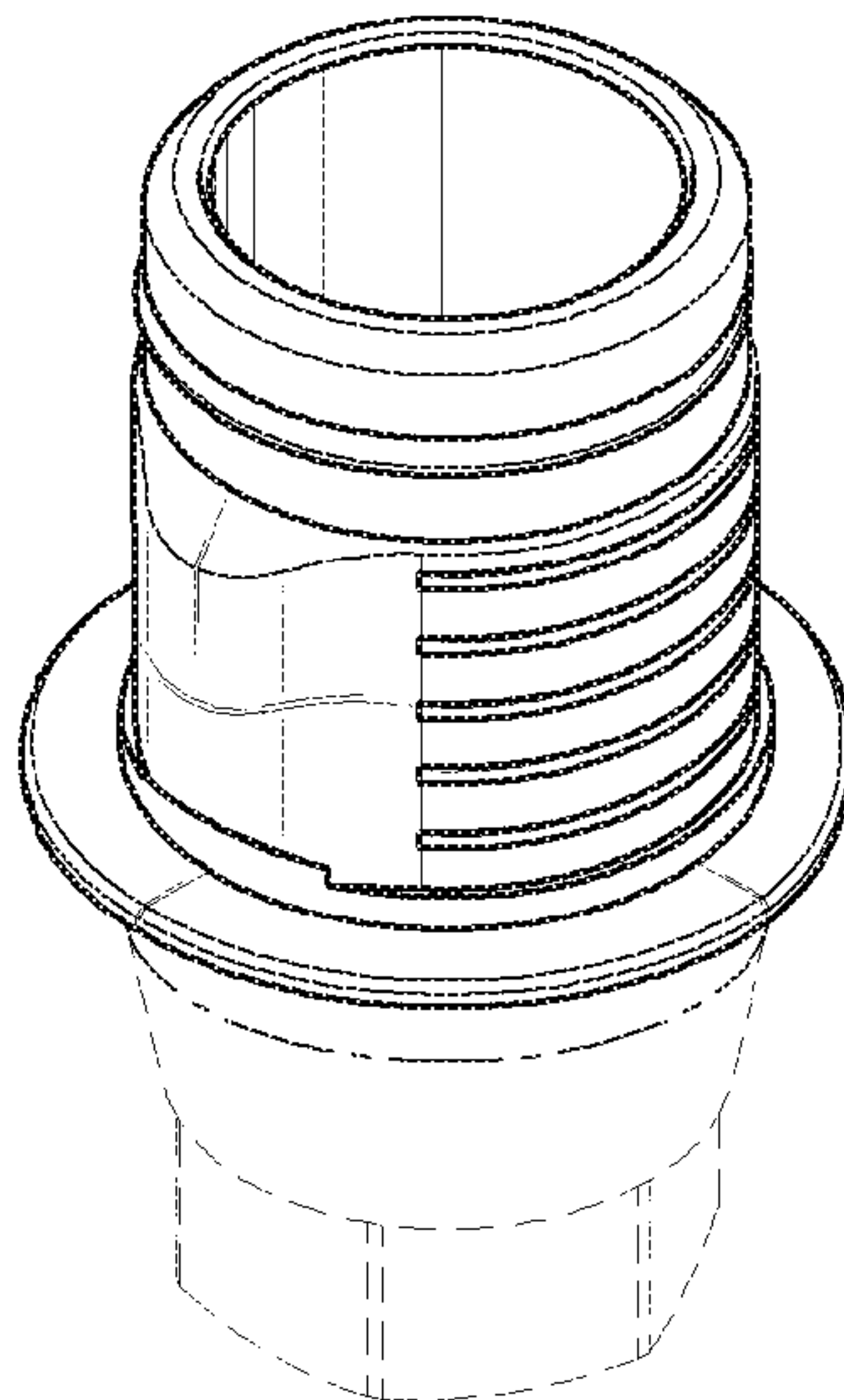
Primary Examiner — Charles D Hanson
(74) *Attorney, Agent, or Firm* — Moser Taboada

(56) **References Cited**
U.S. PATENT DOCUMENTS
D356,869 S * 3/1995 Holmen D24/156
D362,720 S * 9/1995 Holmen D24/155
5,674,069 A * 10/1997 Osorio A61C 8/005
433/172
5,779,480 A * 7/1998 Groll A61C 8/005
433/172

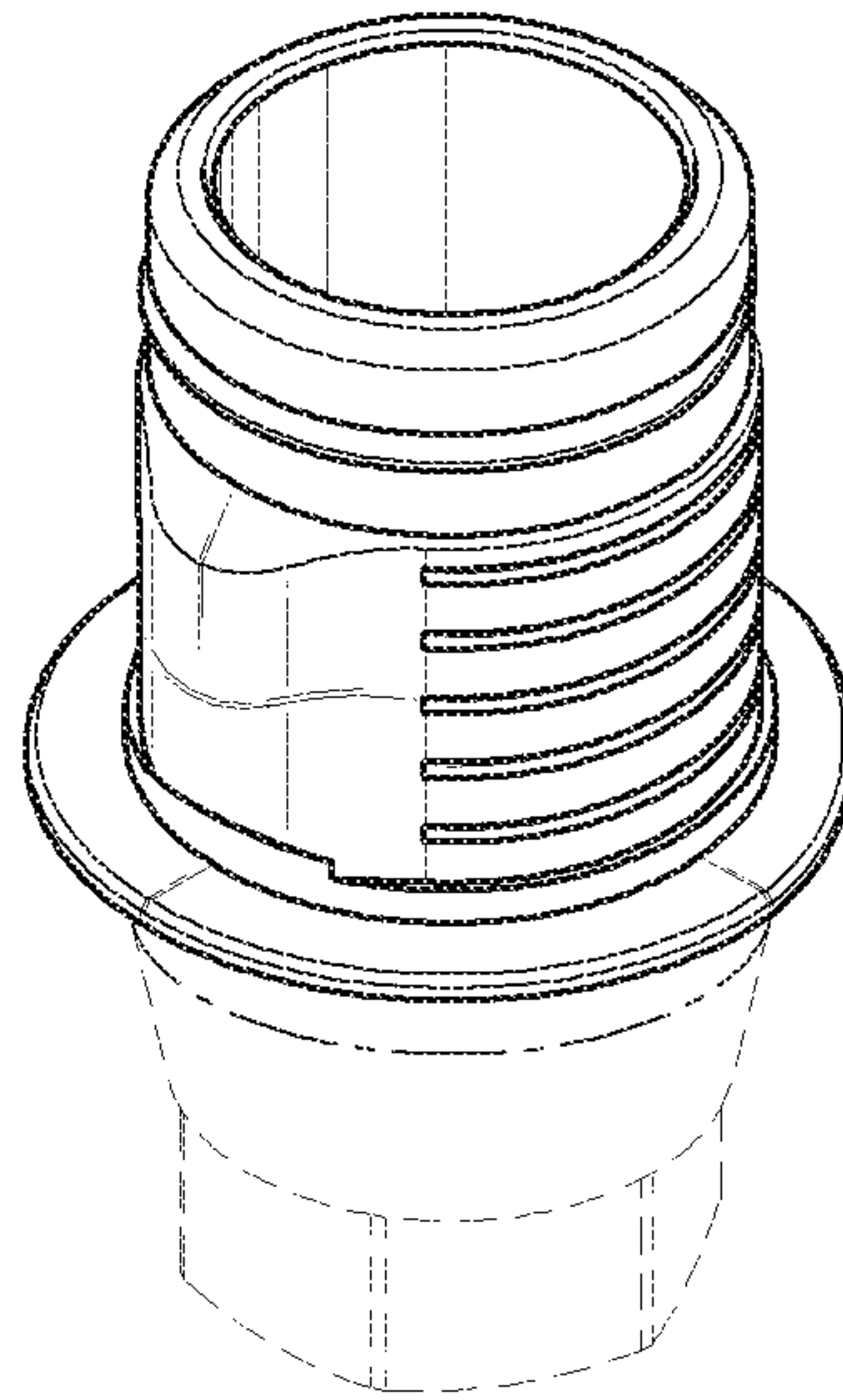
(57) **CLAIM**
The ornamental design for an abutment for dental implant,
substantially as shown and described.

DESCRIPTION
FIG. 1 is a front perspective view of an abutment for dental
implant.
FIG. 2 is a front view thereof.
FIG. 3 is a rear view thereof.
FIG. 4 is a left side view thereof.
FIG. 5 is a right side view thereof.
FIG. 6 is a top view thereof; and,
FIG. 7 is a bottom view thereof.
The dash dash lines are included to illustrate unclaimed
subject matter; the dash dot dash lines indicate the bounds of
the claim, none of which form part of the claimed design.

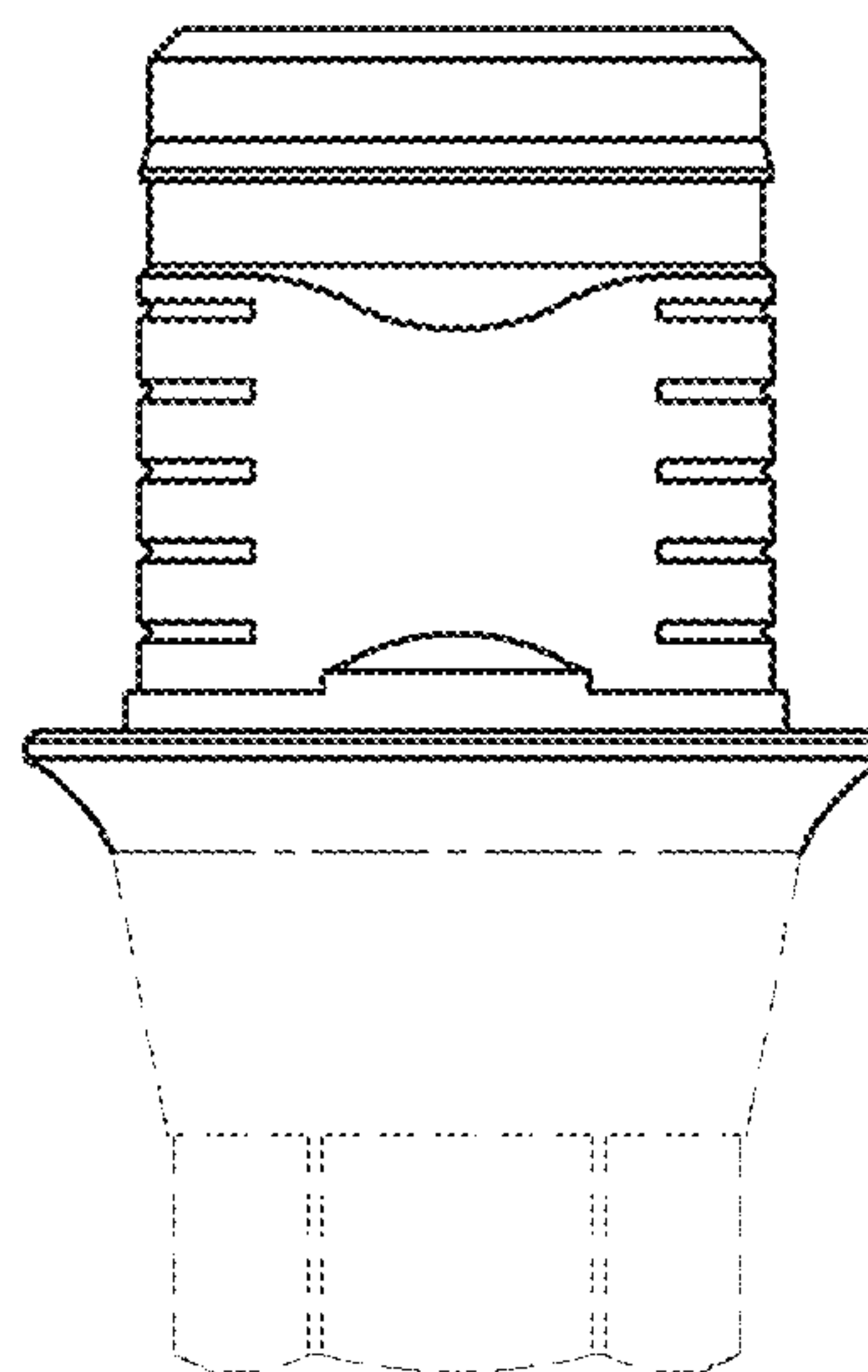
1 Claim, 4 Drawing Sheets



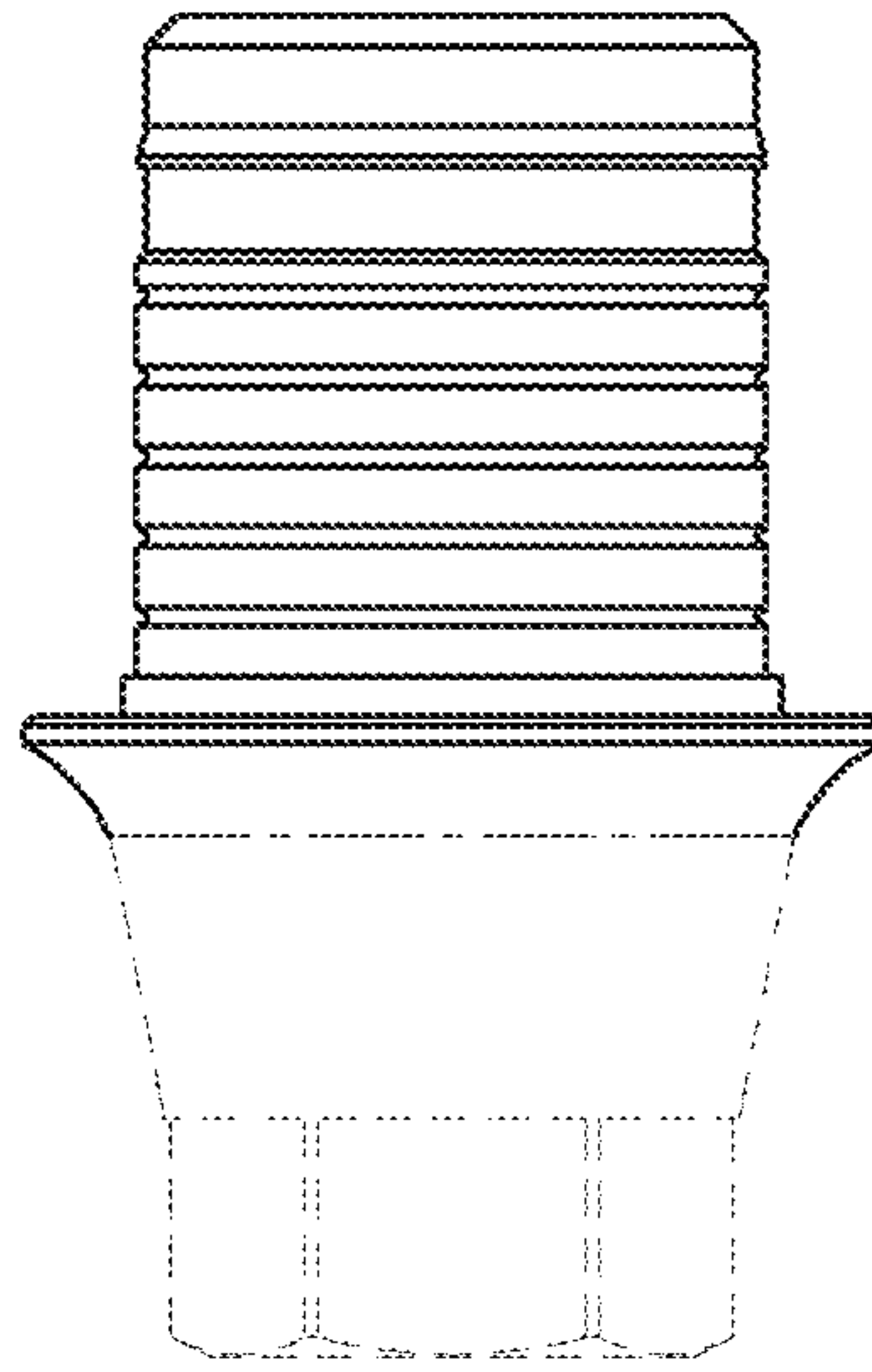
【FIG. 1】



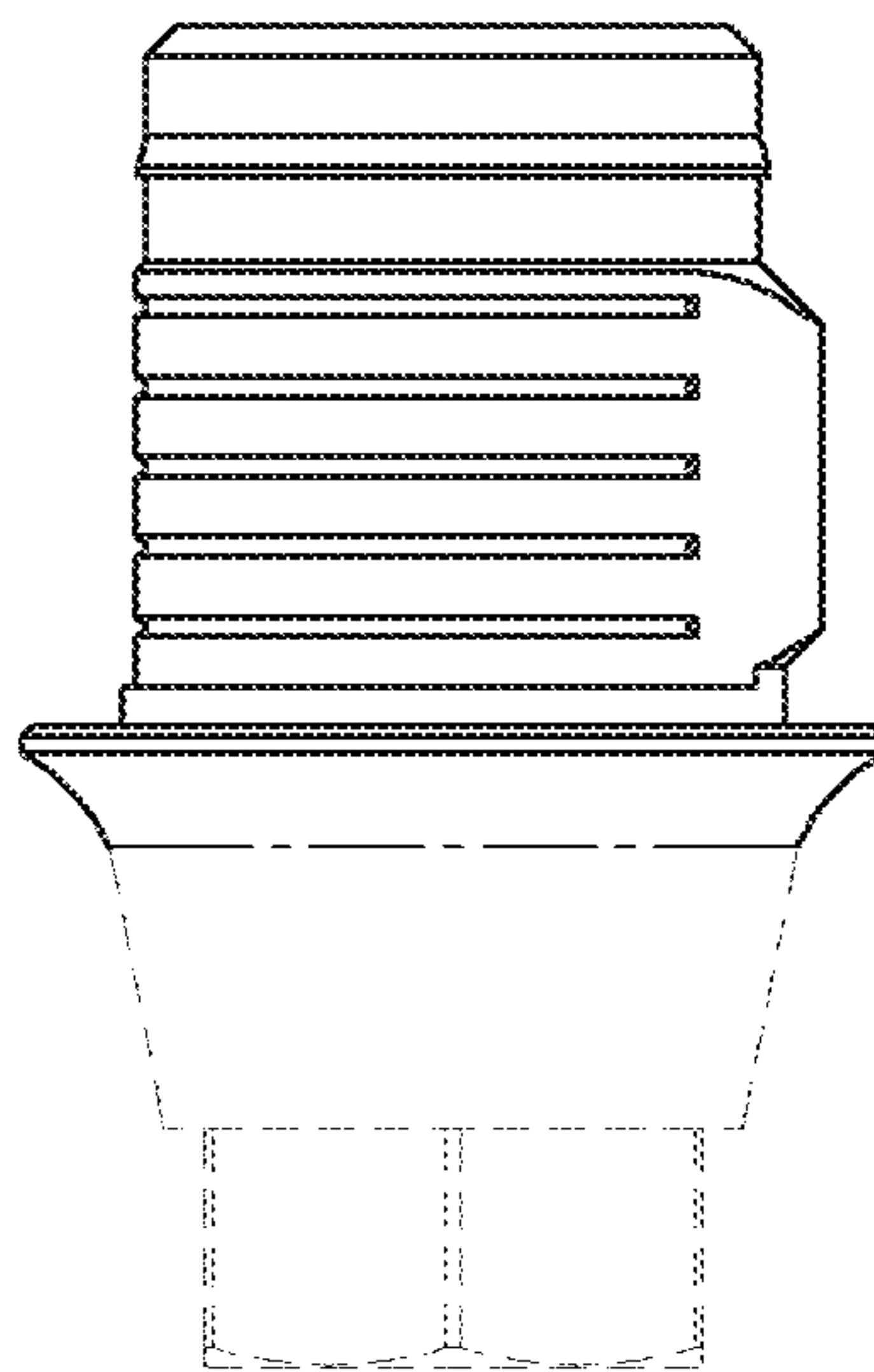
【FIG. 2】



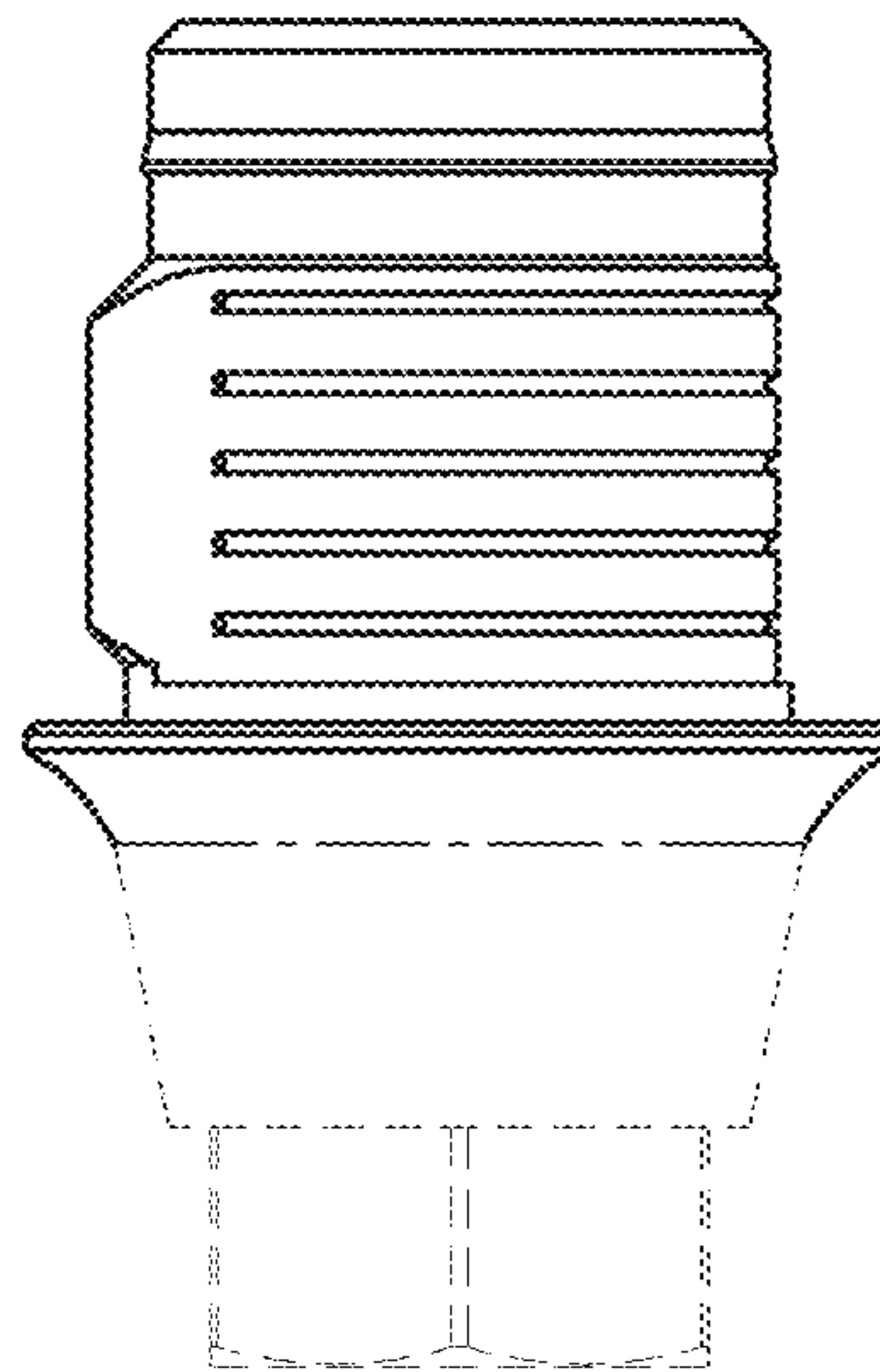
【FIG. 3】



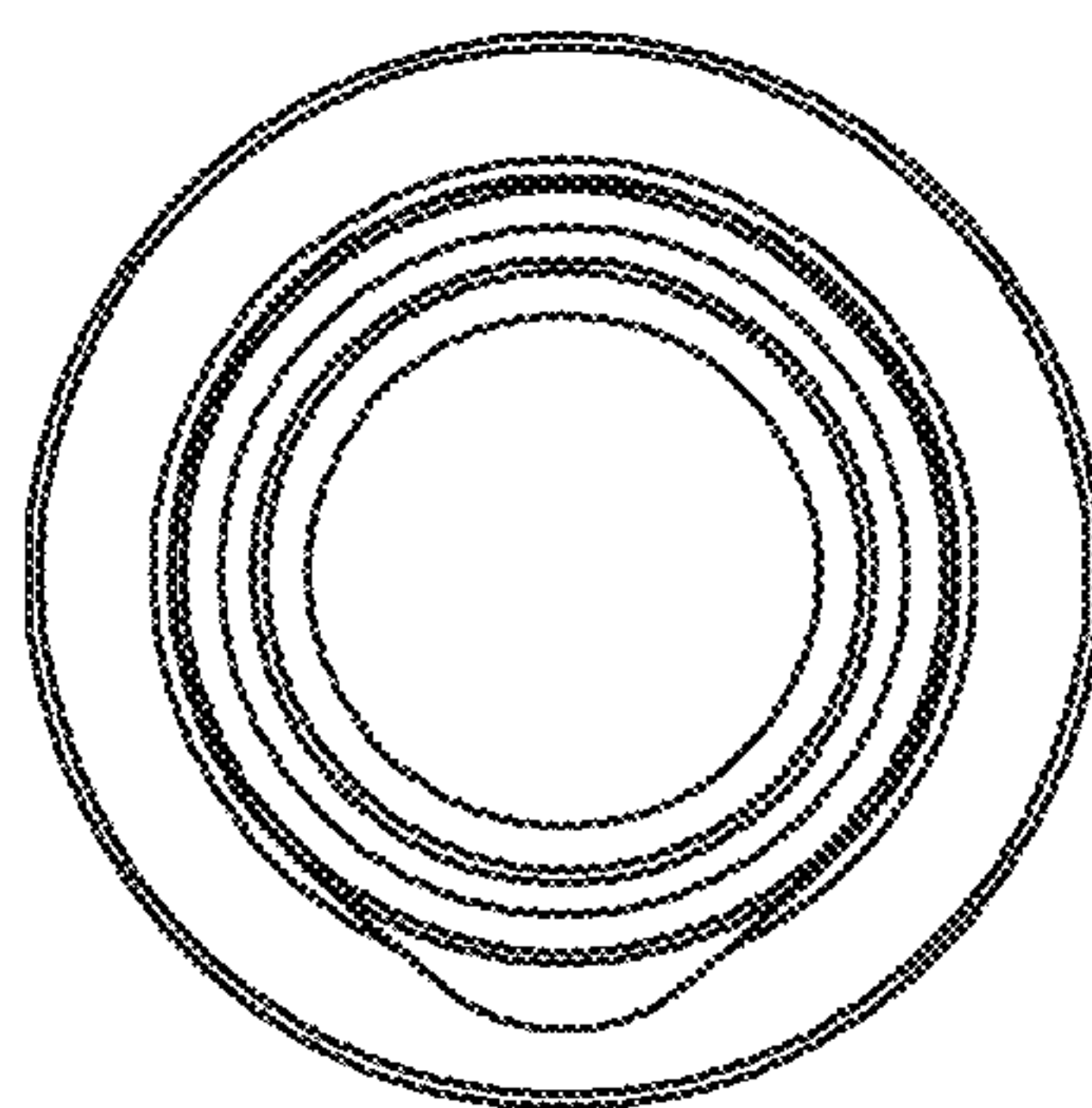
【FIG. 4】



【FIG. 5】



【FIG. 6】



[FIG. 7]

