



US00D808523S

(12) **United States Design Patent**
Ikuhara et al.

(10) **Patent No.:** **US D808,523 S**
(45) **Date of Patent:** **** Jan. 23, 2018**

(54) **DENTAL APPLICATOR**

5,743,436 A * 4/1998 Wilcox A61C 9/0026
222/137

(71) Applicant: **GC Corporation**, Shizuoka (JP)

D582,553 S * 12/2008 Cheetham D24/152
2012/0045732 A1 * 2/2012 Chen A61C 5/62
433/90

(72) Inventors: **Takeshi Ikuhara**, Chigasaki (JP);
Atsushi Tokumura, Machida (JP);
Soichi Yamamoto, Yokohama (JP);
Shinichi Kojima, Itabashi-ku (JP)

FOREIGN PATENT DOCUMENTS

JP D1557891 * 1/2016

(73) Assignee: **GC Corporation**, Shizuoka (JP)

* cited by examiner

(**) Term: **15 Years**

Primary Examiner — Wan Laymon

(21) Appl. No.: **29/583,403**

(74) *Attorney, Agent, or Firm* — Oblon, McClelland,
Maier & Neustadt, L.L.P.

(22) Filed: **Nov. 4, 2016**

(57) **CLAIM**

(30) **Foreign Application Priority Data**

The ornamental design for a dental applicator, as shown and described.

May 13, 2016 (JP) 2016-010246

(51) **LOC (11) Cl.** **24-02**

(52) **U.S. Cl.**

USPC **D24/152**

(58) **Field of Classification Search**

USPC D24/152, 156, 153, 176, 112–113;
433/80, 90

CPC A61C 17/0202; A61C 5/62; A61C 5/64;
A61C 9/0026; A61C 19/063; B05C
17/00593; B05C 17/0123

See application file for complete search history.

DESCRIPTION

FIG. 1 is a front, bottom, and right side perspective view of a dental applicator;
FIG. 2 is a rear, top, and right side perspective view thereof;
FIG. 3 is a front elevational view thereof;
FIG. 4 is a rear elevational view thereof;
FIG. 5 is a top plan view thereof;
FIG. 6 is a bottom plan view thereof;
FIG. 7 is a right side elevational view thereof;
FIG. 8 is a left side elevational view thereof; and,
FIG. 9 is a left side elevational view thereof in a use condition.

The broken lines in the drawings depict parts of the dental applicator that form no part of the claimed design.

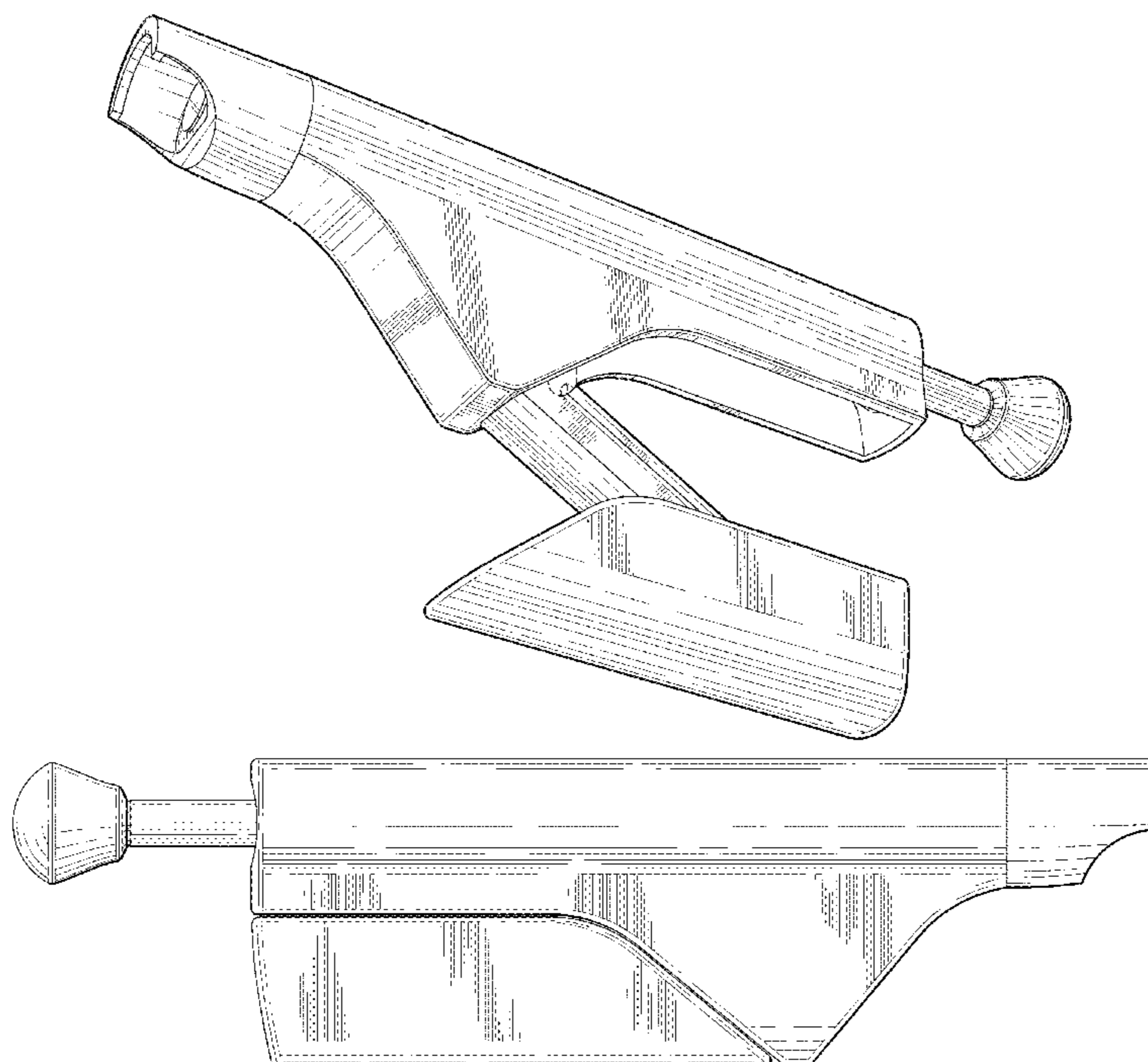
(56) **References Cited**

U.S. PATENT DOCUMENTS

5,306,147 A * 4/1994 Dragan A61C 5/62
433/90

D357,536 S * 4/1995 Dragan D24/176

1 Claim, 9 Drawing Sheets



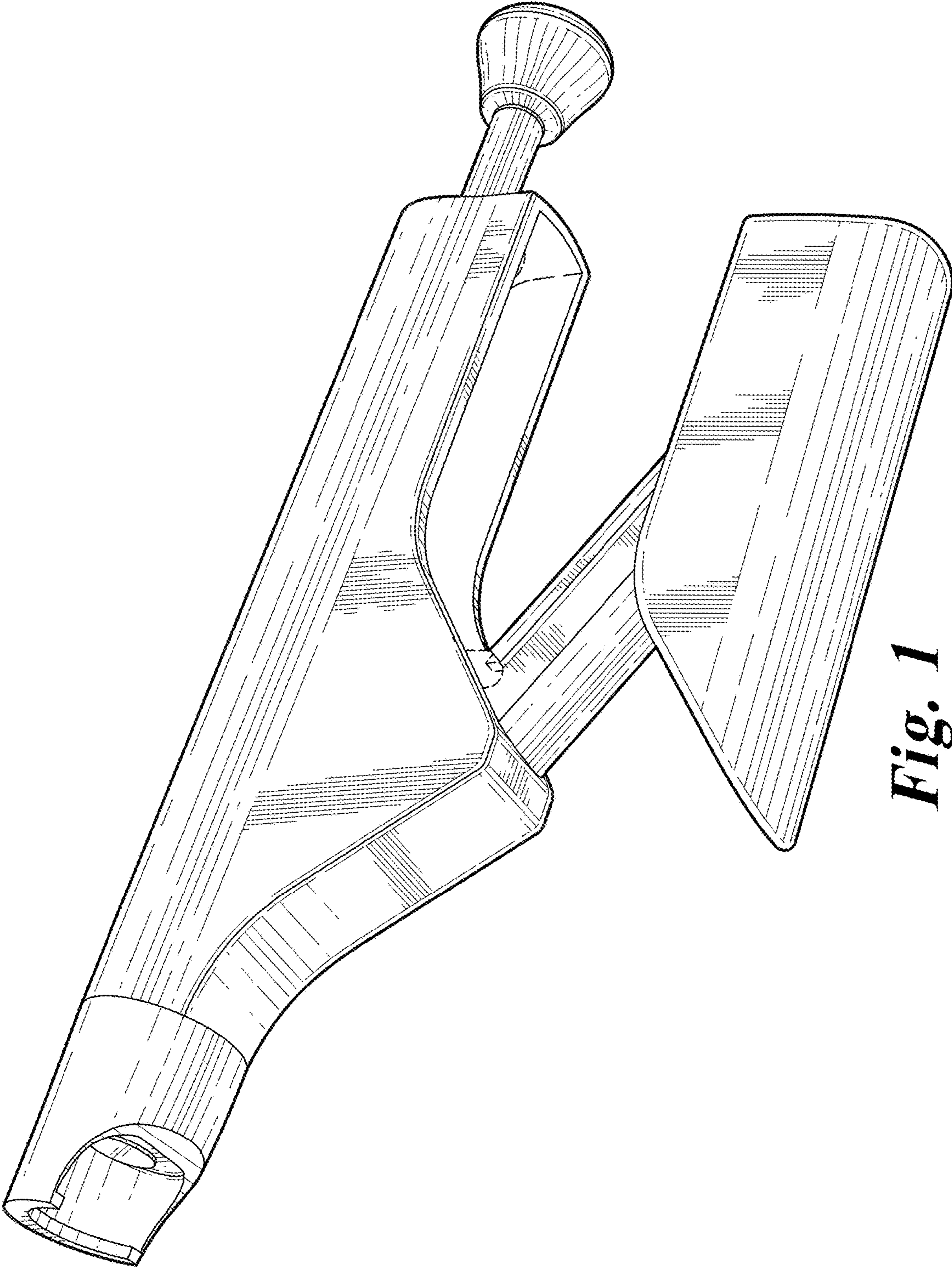


Fig. 1

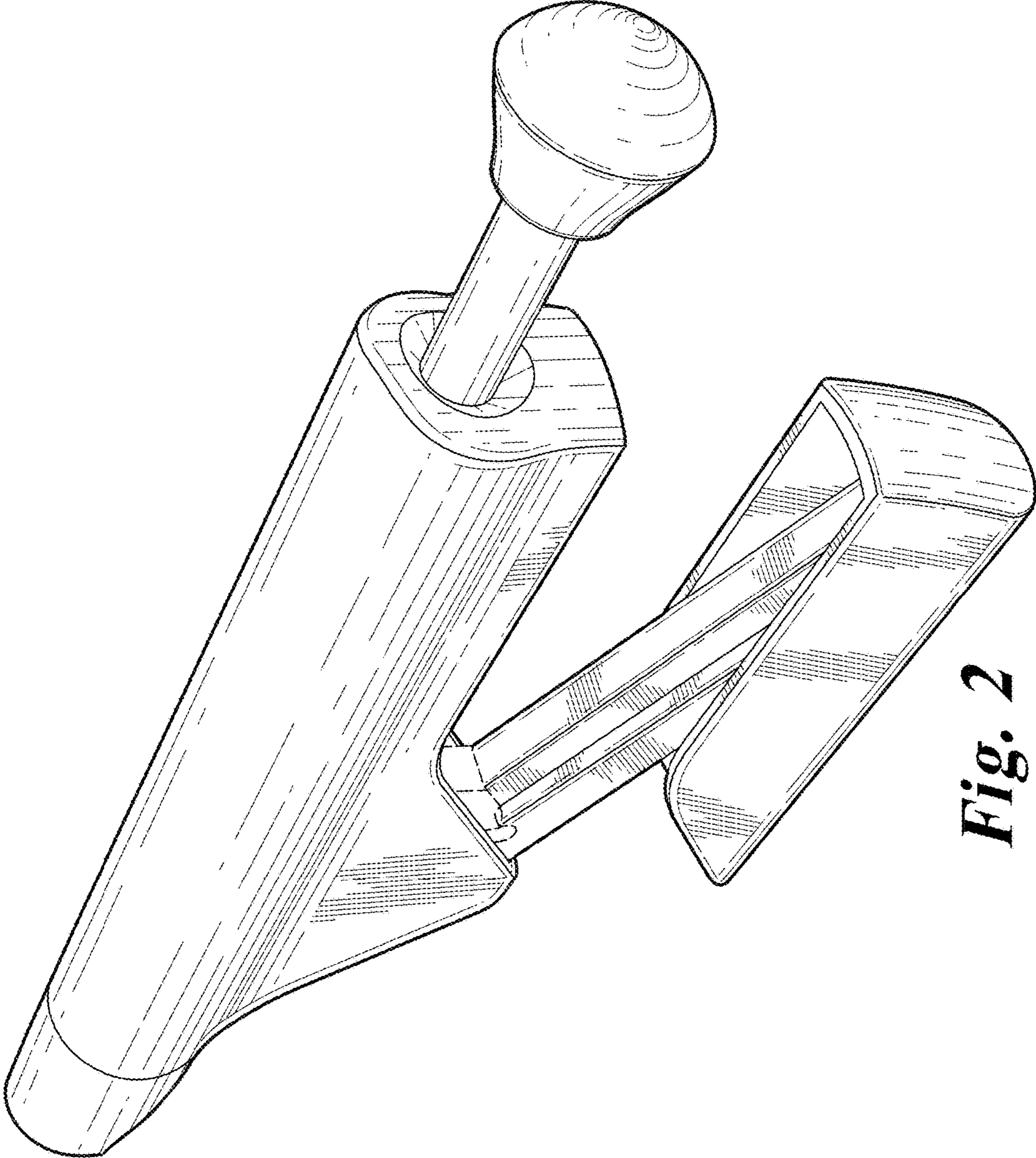


Fig. 2

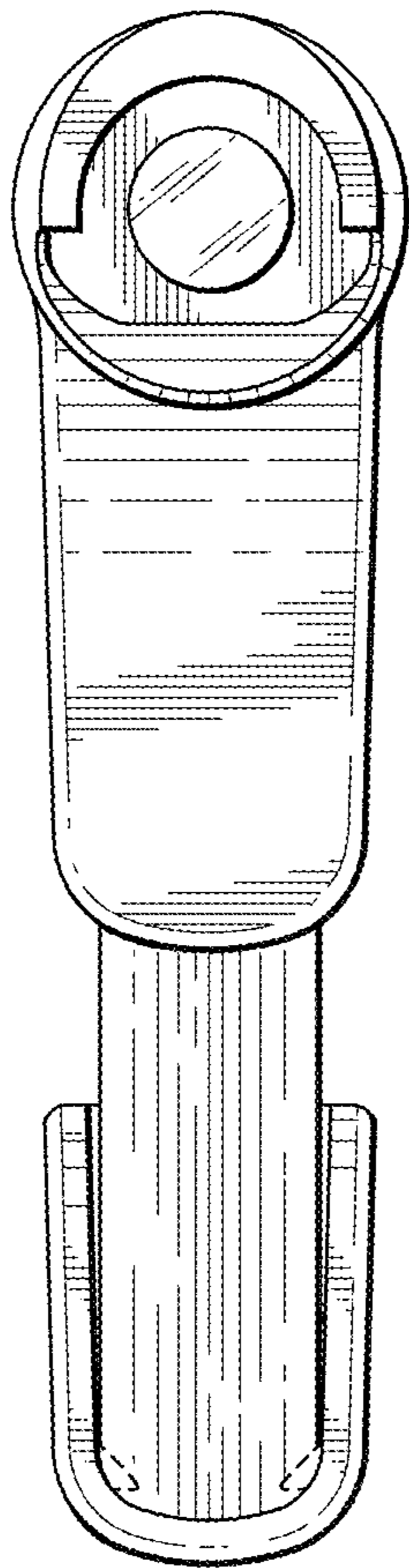


Fig. 3

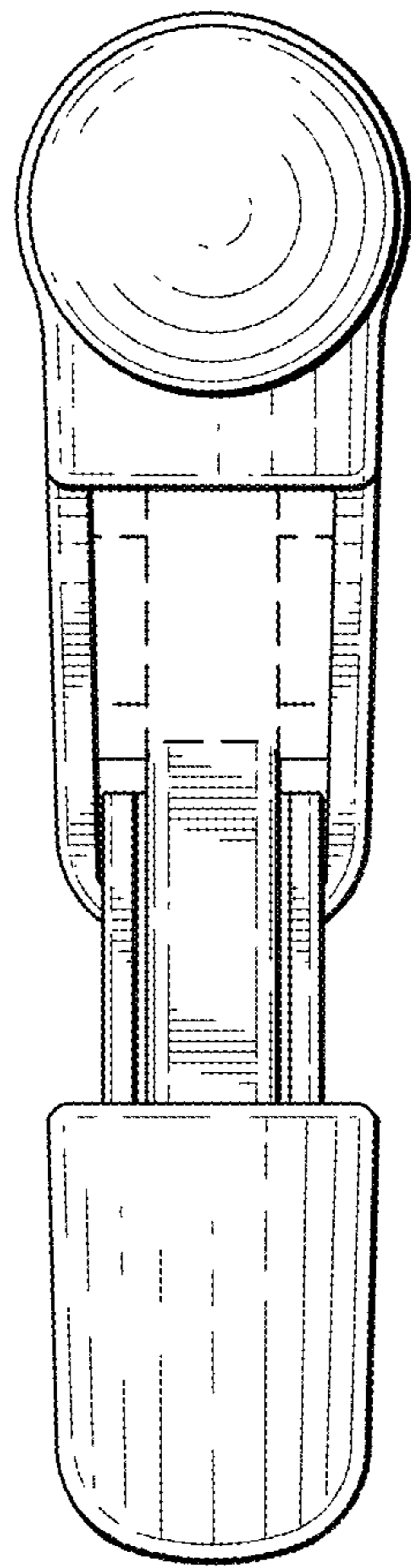


Fig. 4

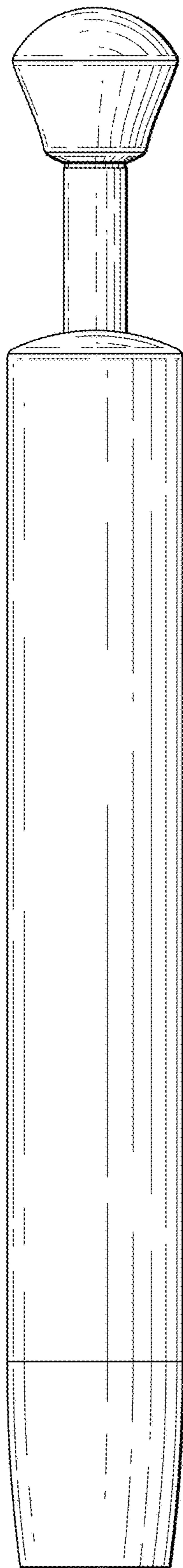


Fig. 5

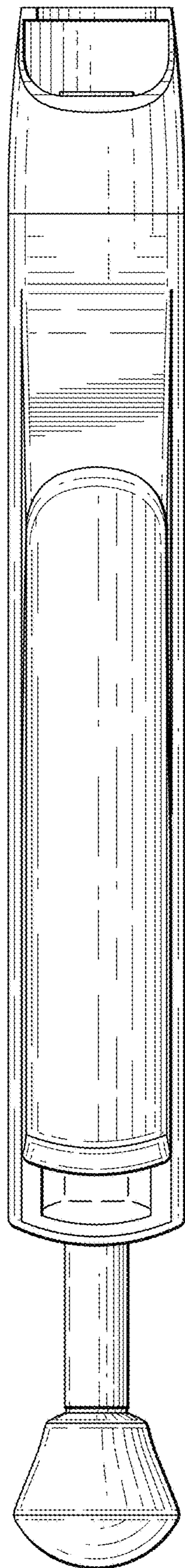


Fig. 6

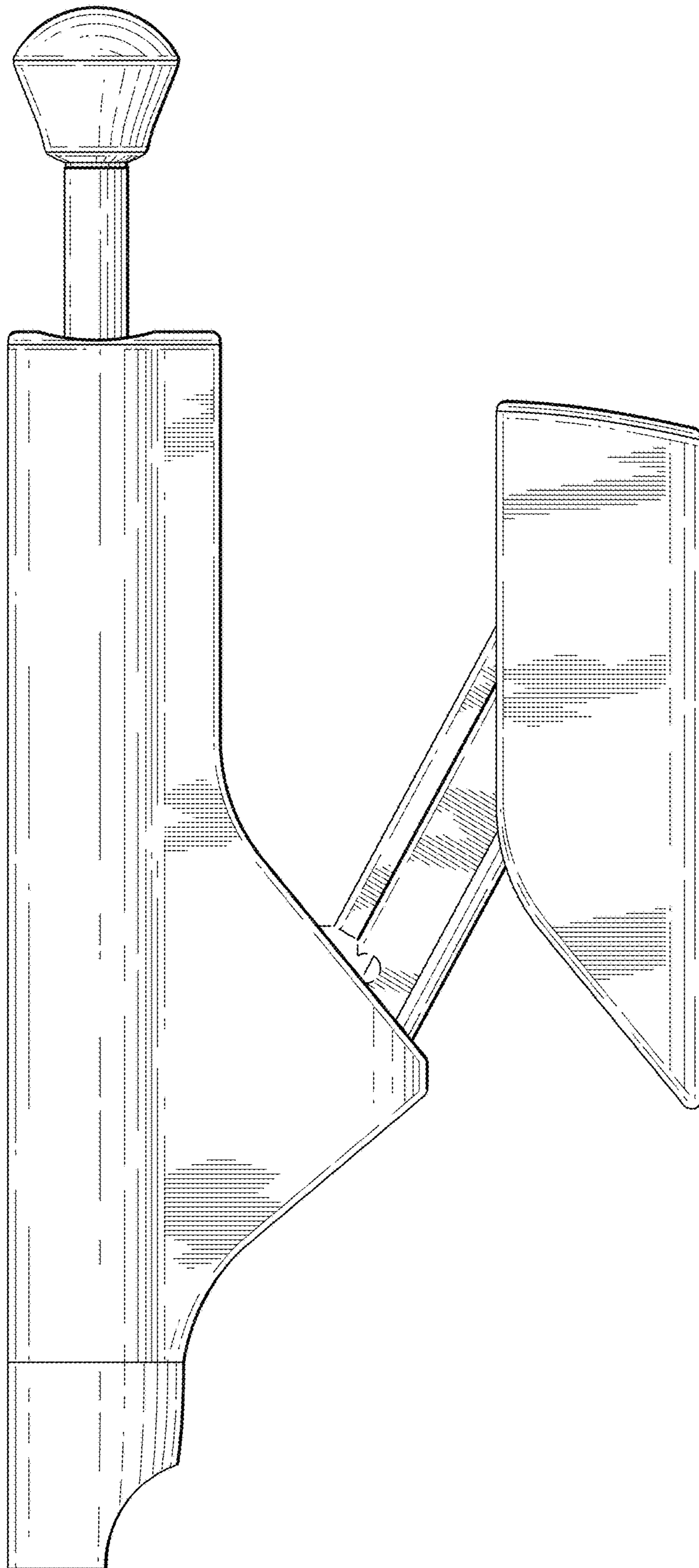


Fig. 7

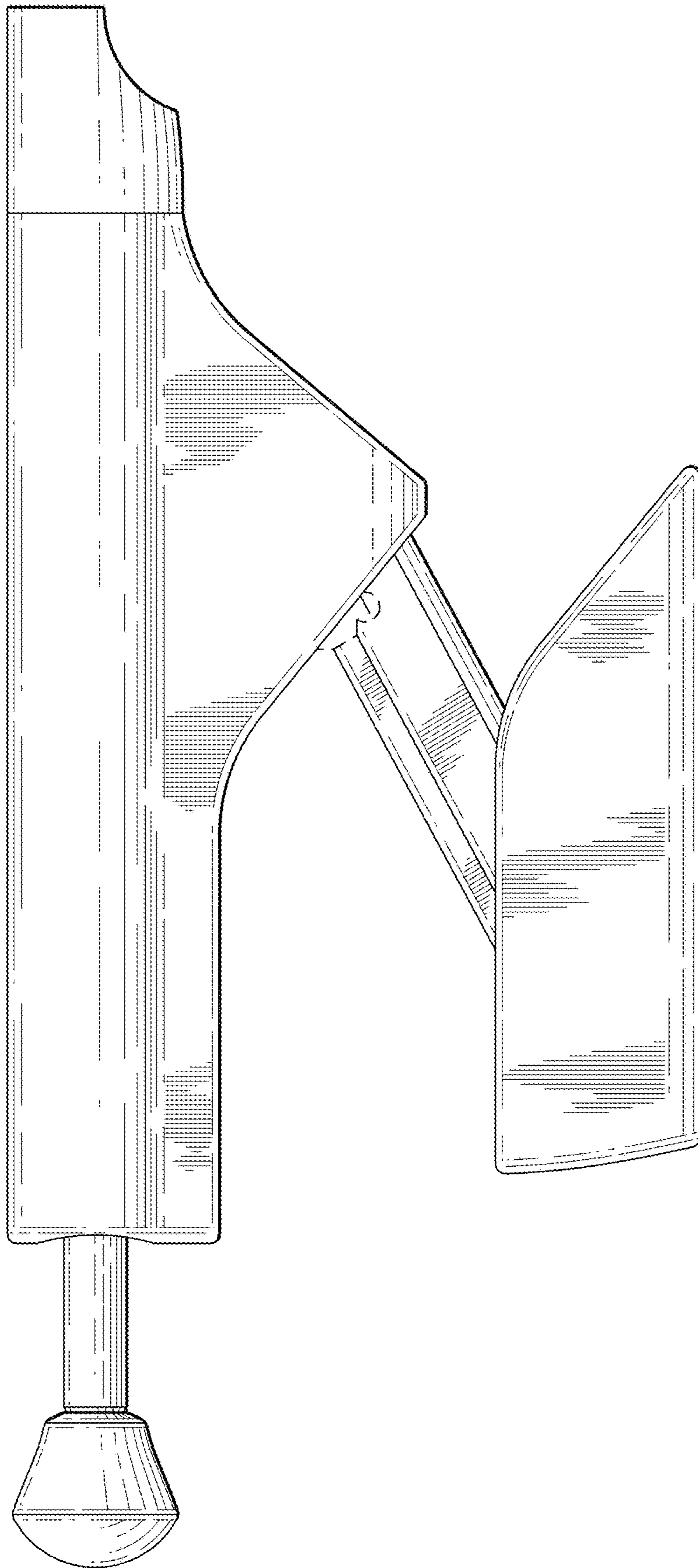


Fig. 8

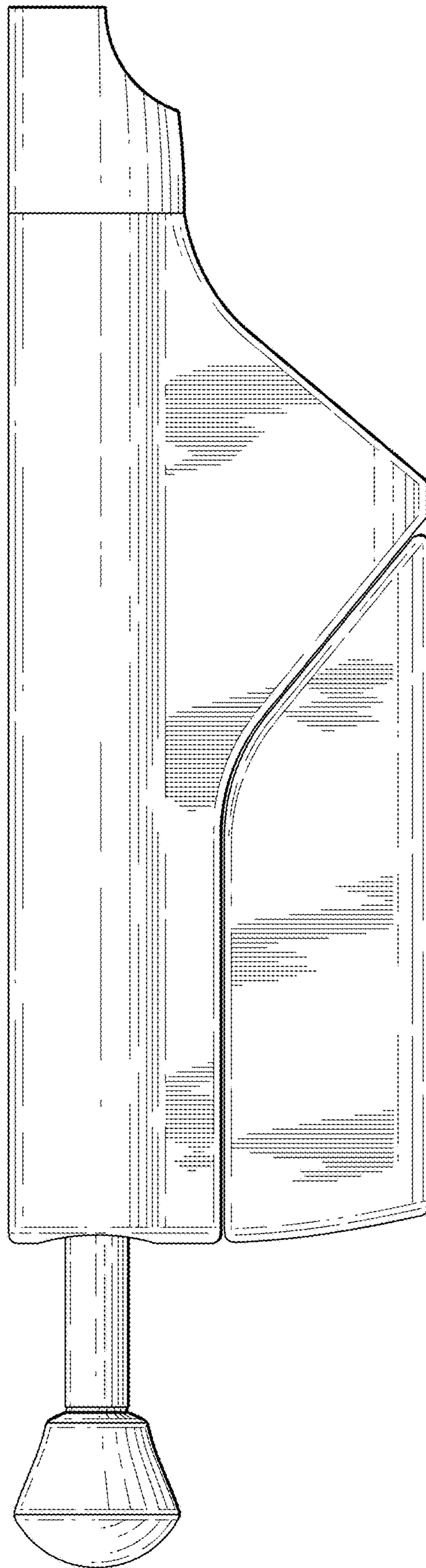


Fig. 9