



US00D808522S

(12) **United States Design Patent**
Cannady et al.

(10) **Patent No.:** **US D808,522 S**
(45) **Date of Patent:** **** Jan. 23, 2018**

(54) **LATCHING ENDS OF A POLYMER LIGATING CLIP**

(71) Applicant: **Vesolock LLC**, Raleigh, NC (US)

(72) Inventors: **Freddy Ray Cannady**, Mebane, NC (US); **Charles David Kimbro**, Raleigh, NC (US)

(73) Assignee: **VESOLOCK MEDICAL, LLC**, Raleigh, NC (US)

(**) Term: **15 Years**

(21) Appl. No.: **29/610,302**

(22) Filed: **Jul. 11, 2017**

(51) **LOC (11) Cl.** **24-02**

(52) **U.S. Cl.**
USPC **D24/145**

(58) **Field of Classification Search**
USPC D24/143, 145

(Continued)

(56) **References Cited**

U.S. PATENT DOCUMENTS

2,618,268 A 11/1952 English
4,579,118 A 4/1986 Failla

(Continued)

FOREIGN PATENT DOCUMENTS

BR D17100026-7 F 7/2011
CN 103356264 A 8/2013

(Continued)

OTHER PUBLICATIONS

Click'av Plus™ Polymer Ligating Clips web page, as printed Jul. 7, 2017, 4 pages, from URL <https://www.grena.co.uk/our-products/ligating-clips/261-click-av-plus-polymer-ligating-clips>, Grena Ltd, London, England.

(Continued)

Primary Examiner — Wan Laymon

(74) *Attorney, Agent, or Firm* — Flynn IP Law; Kevin E Flynn

(57) **CLAIM**

The ornamental design for a latching ends of a polymer ligating clip, as shown and described.

DESCRIPTION

FIG. 1 is a perspective view of the front side, right side, and top side of a latching ends of a polymer ligating clip showing the new design.

FIG. 2 is a perspective view of the back side, left side, and bottom side thereof;

FIG. 3 is a perspective view of the front side, left side, and top side thereof;

FIG. 4 is a perspective view of the back side, right side, and top side thereof;

FIG. 5 is a front side elevational view thereof;

FIG. 6 is a top plan view thereof;

FIG. 7 is a bottom plan view thereof; and

FIG. 8 is a left side elevational view thereof;

FIG. 9 is a right side elevational view thereof;

FIG. 10 is a perspective view of the top side, front side, and right side thereof; and,

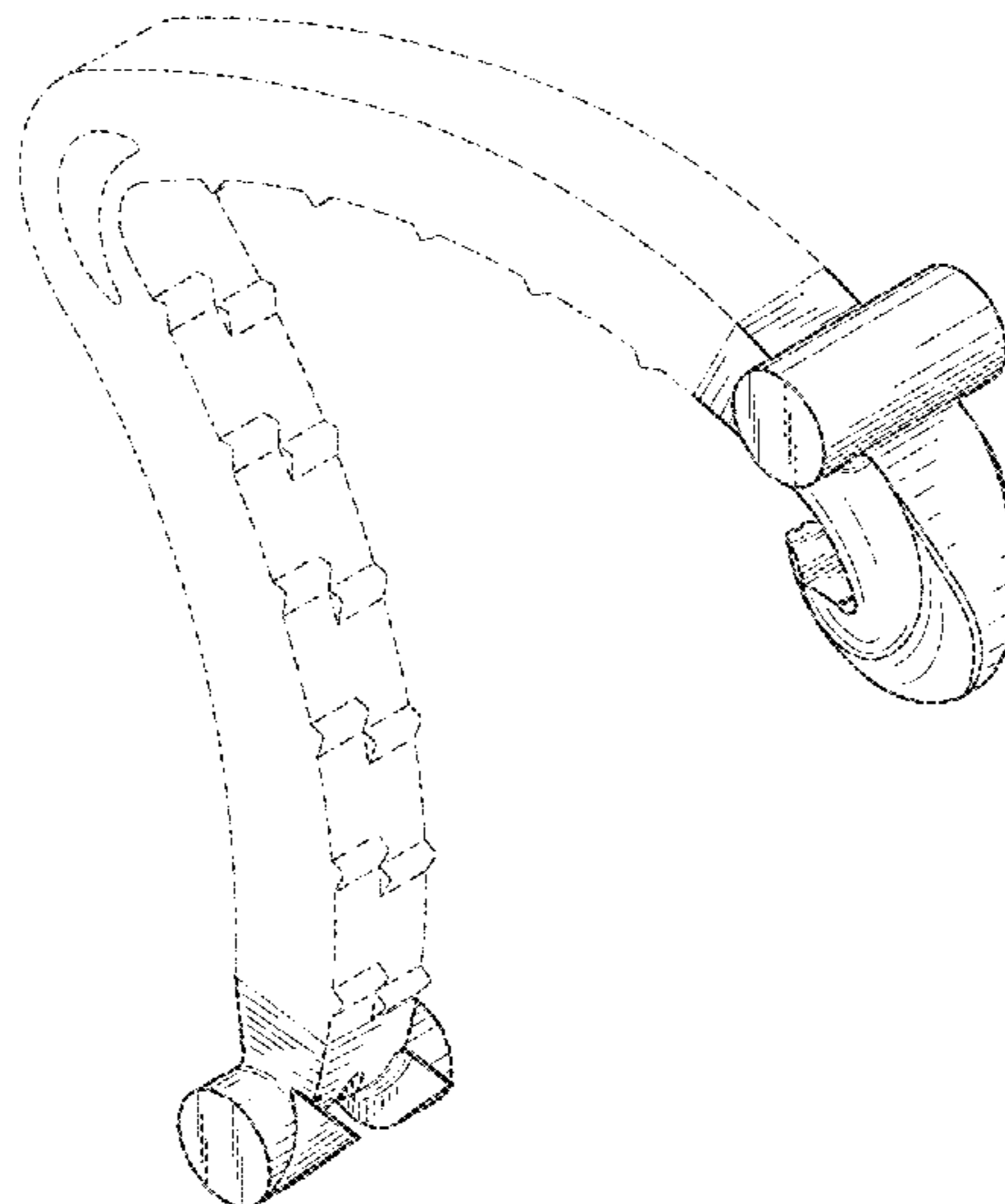
FIG. 11 is an enlarged cross section of the hook end of the latching ends of a polymer ligating clip taken along line 11-11 in FIG. 10.

The back side elevational view is a mirror image of the front side.

The dash-dot-dot-dash broken lines immediately adjacent shaded surfaces represent boundaries of the claimed design.

The even broken lines shown in the figures are for the purpose of illustrating portions of latching ends of a polymer ligating clip and form no part of the claimed design.

1 Claim, 7 Drawing Sheets



(58) **Field of Classification Search**
 CPC . A61B 17/122; A61B 17/1285; A61B 17/128;
 A61B 17/1225; A61B 17/0487; A61B
 17/08; A61B 17/083; A61B 2017/1225
 See application file for complete search history.

(56) **References Cited**

U.S. PATENT DOCUMENTS

4,834,096	A	5/1989	Oh	
5,062,846	A	11/1991	Oh	
5,234,449	A *	8/1993	Braker	A61B 17/122 227/902
5,464,416	A	11/1995	Steckel	
6,210,419	B1	4/2001	Mayenberger et al.	
6,391,035	B1	5/2002	Appleby	
6,863,675	B2 *	3/2005	Wilson, Jr.	A61B 17/122 606/157
6,880,699	B2	4/2005	Gallagher	
7,001,412	B2 *	2/2006	Gallagher	A61B 17/0487 606/151
7,122,039	B2	10/2006	Chu	
7,316,696	B2	1/2008	Wilson, Jr.	
7,326,223	B2	2/2008	Wilson, Jr.	
7,727,247	B2	6/2010	Kimura et al.	
D710,512	S	8/2014	Kitayama	
D733,299	S	6/2015	Ohmukai	
9,192,375	B2	11/2015	Skinlo et al.	
D748,462	S	2/2016	Taghizadeh	
9,351,723	B2	5/2016	Alexander et al.	
9,358,008	B2	6/2016	Mazzucco et al.	

9,445,820	B2	9/2016	Whiting	
D769,445	S	10/2016	Menn	
2005/0165423	A1 *	7/2005	Gallagher	A61B 17/122 606/151
2006/0217749	A1	9/2006	Wilson, Jr.	
2007/0083218	A1	4/2007	Morris	
2007/0118161	A1	5/2007	Kennedy	
2007/0276417	A1	11/2007	Mendes, Jr.	
2009/0088783	A1	4/2009	Kennedy	
2013/0072946	A1	3/2013	Terada	
2014/0243862	A1	8/2014	Bagaoisan et al.	
2016/0151068	A1	6/2016	Jensen et al.	
2016/0242778	A1	8/2016	Xu et al.	
2017/0209151	A1 *	7/2017	Brown	A61B 17/122

FOREIGN PATENT DOCUMENTS

CN	302696283	S	12/2013
CN	302816611	S	5/2014
JP	D1257518	S	12/2005
JP	D1257518	S	11/2007
JP	D1563873	S	11/2016
JP	D1565739	S	12/2016
JP	D1565740	S	12/2016

OTHER PUBLICATIONS

Introducing Vesolock™ Polymer Ligating System, 2016, 4 pages,
 Symmetry Surgical, Inc., Antioch, TN.

* cited by examiner

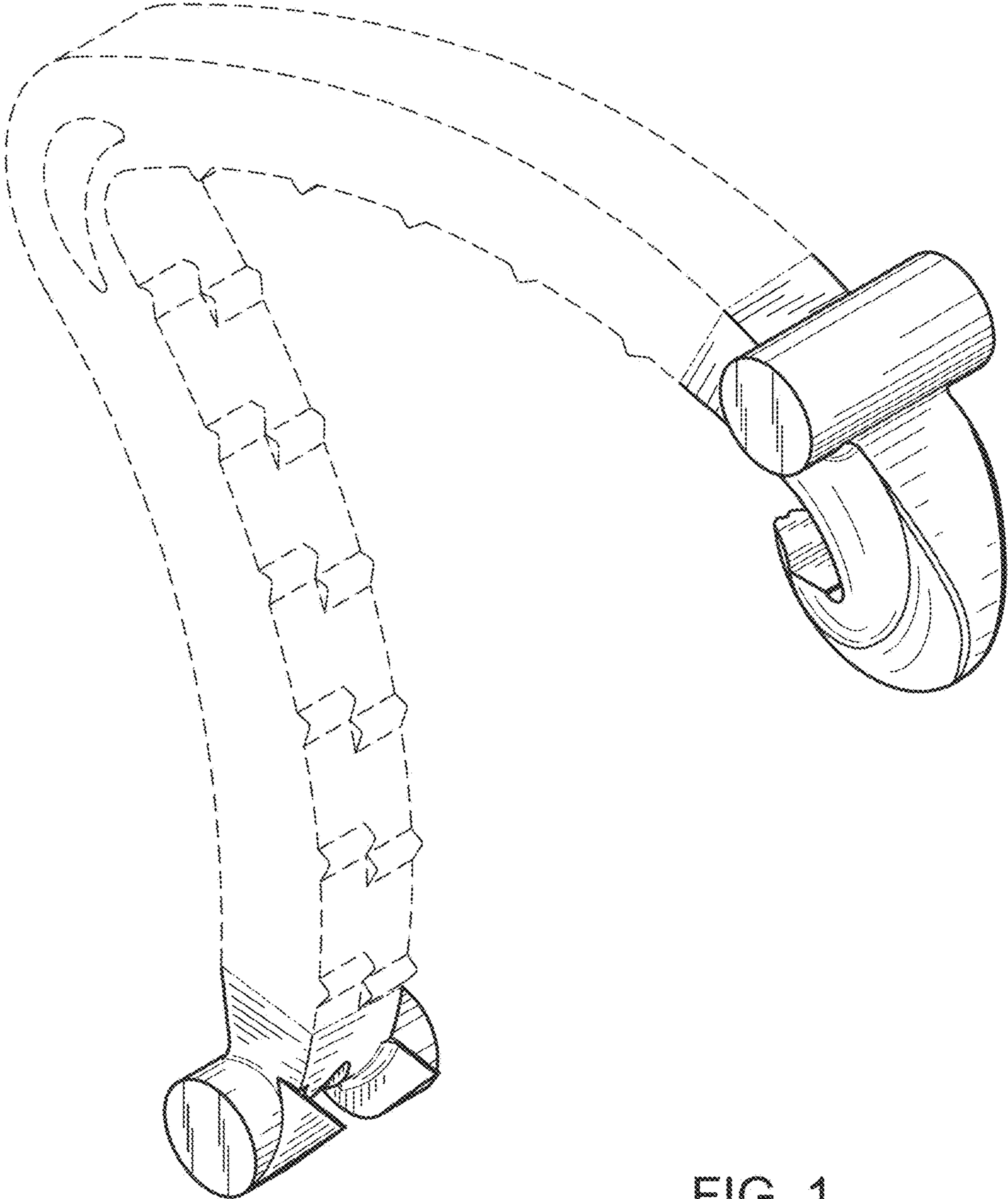


FIG. 1

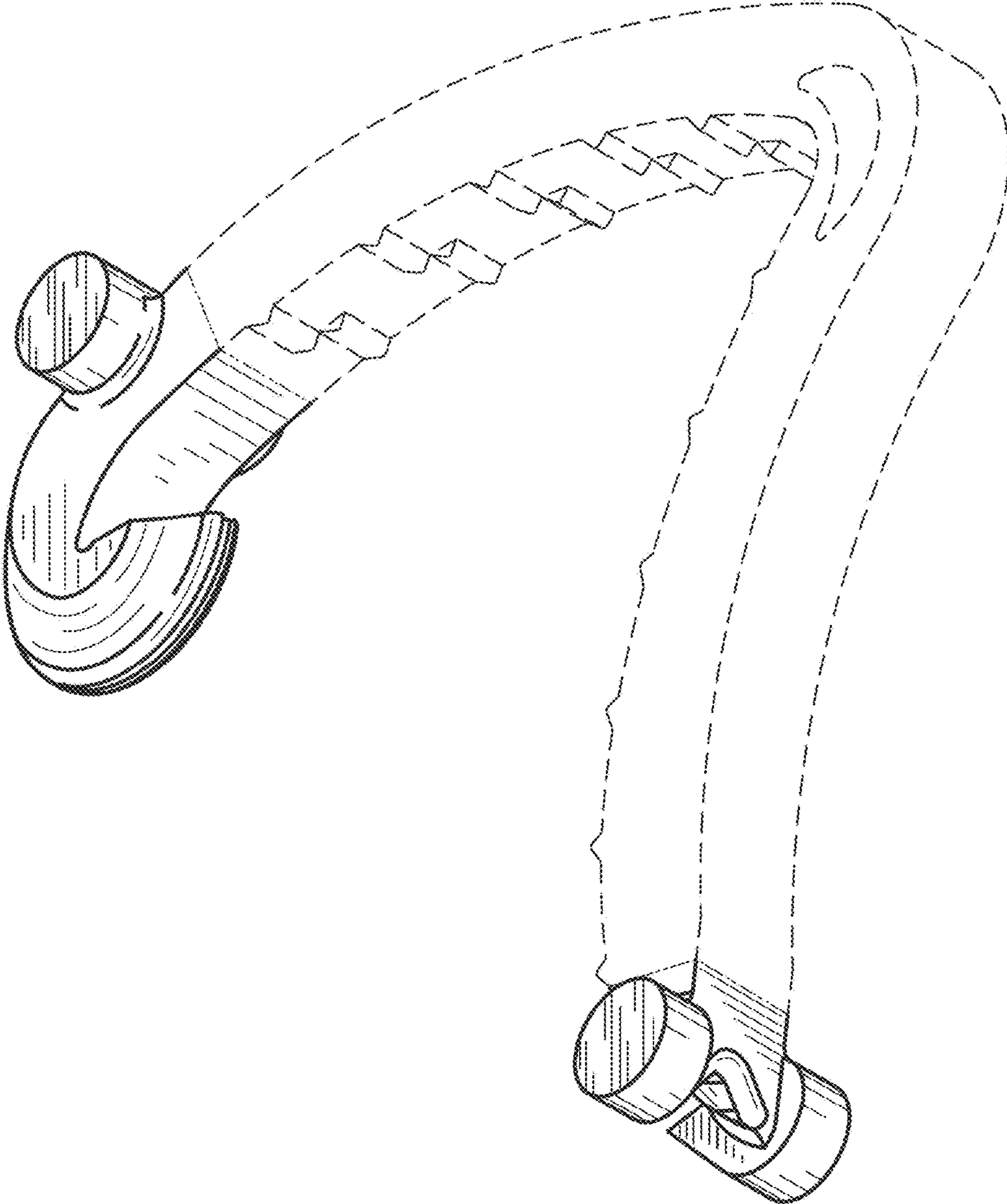


FIG. 2

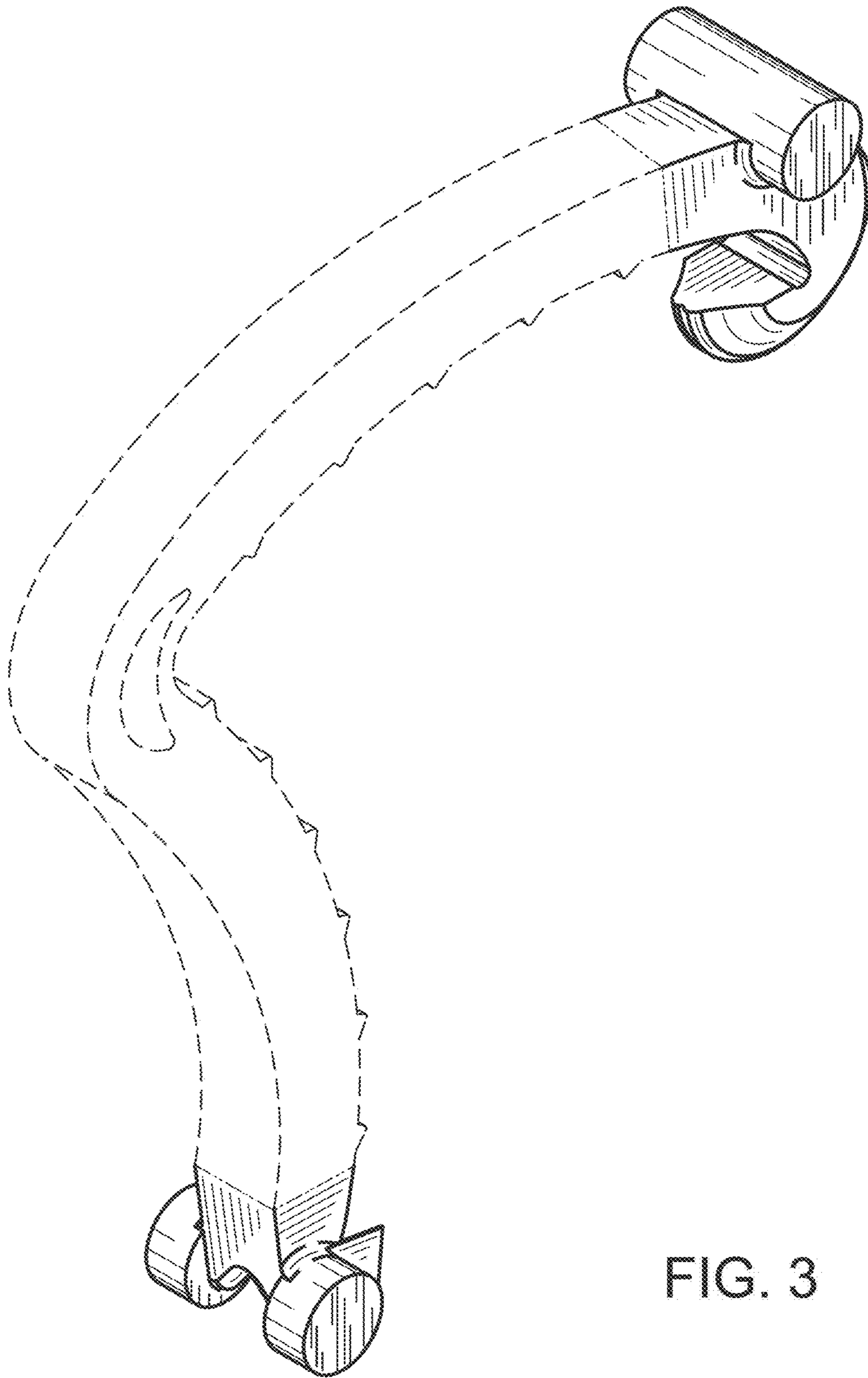


FIG. 3

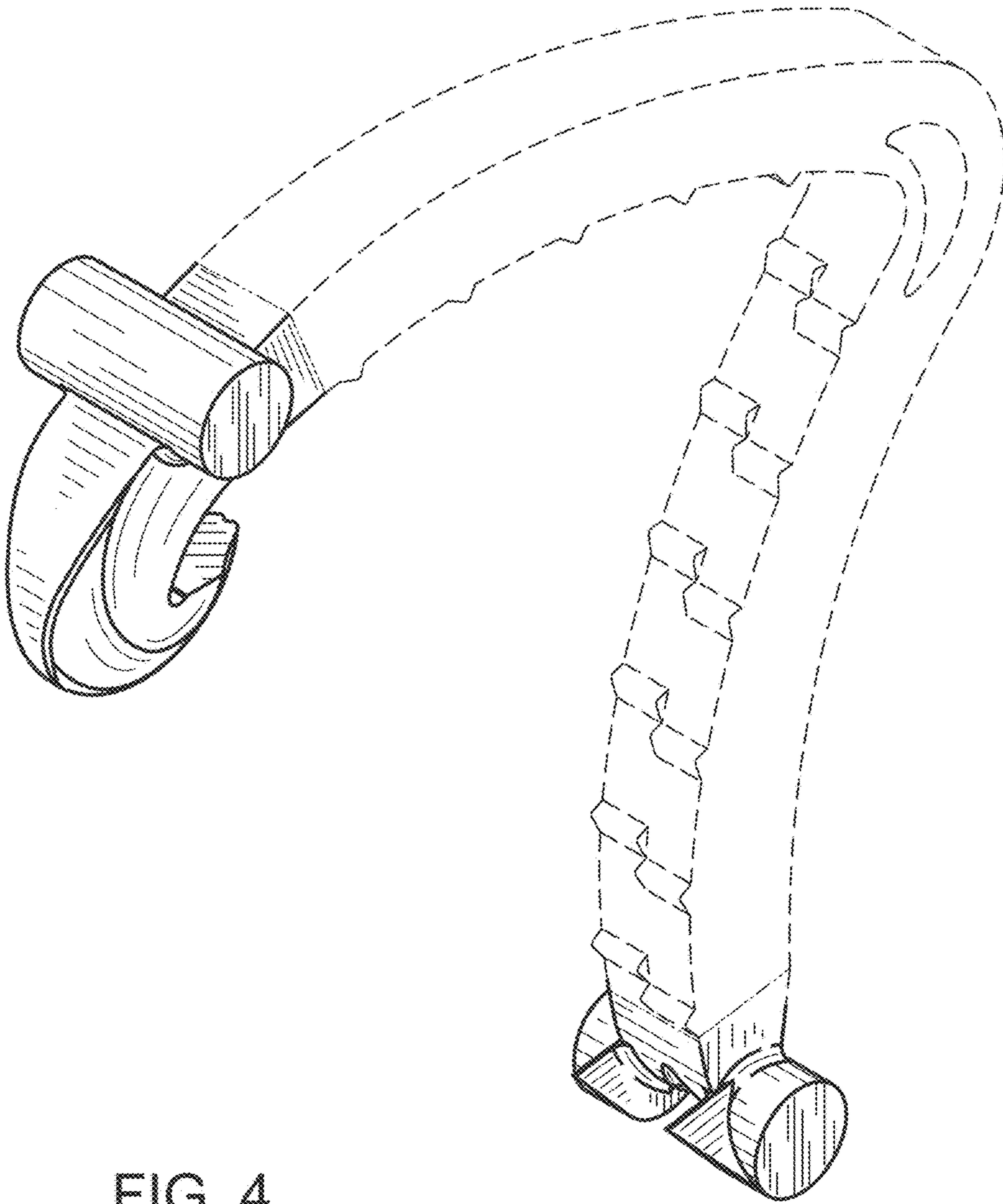


FIG. 4

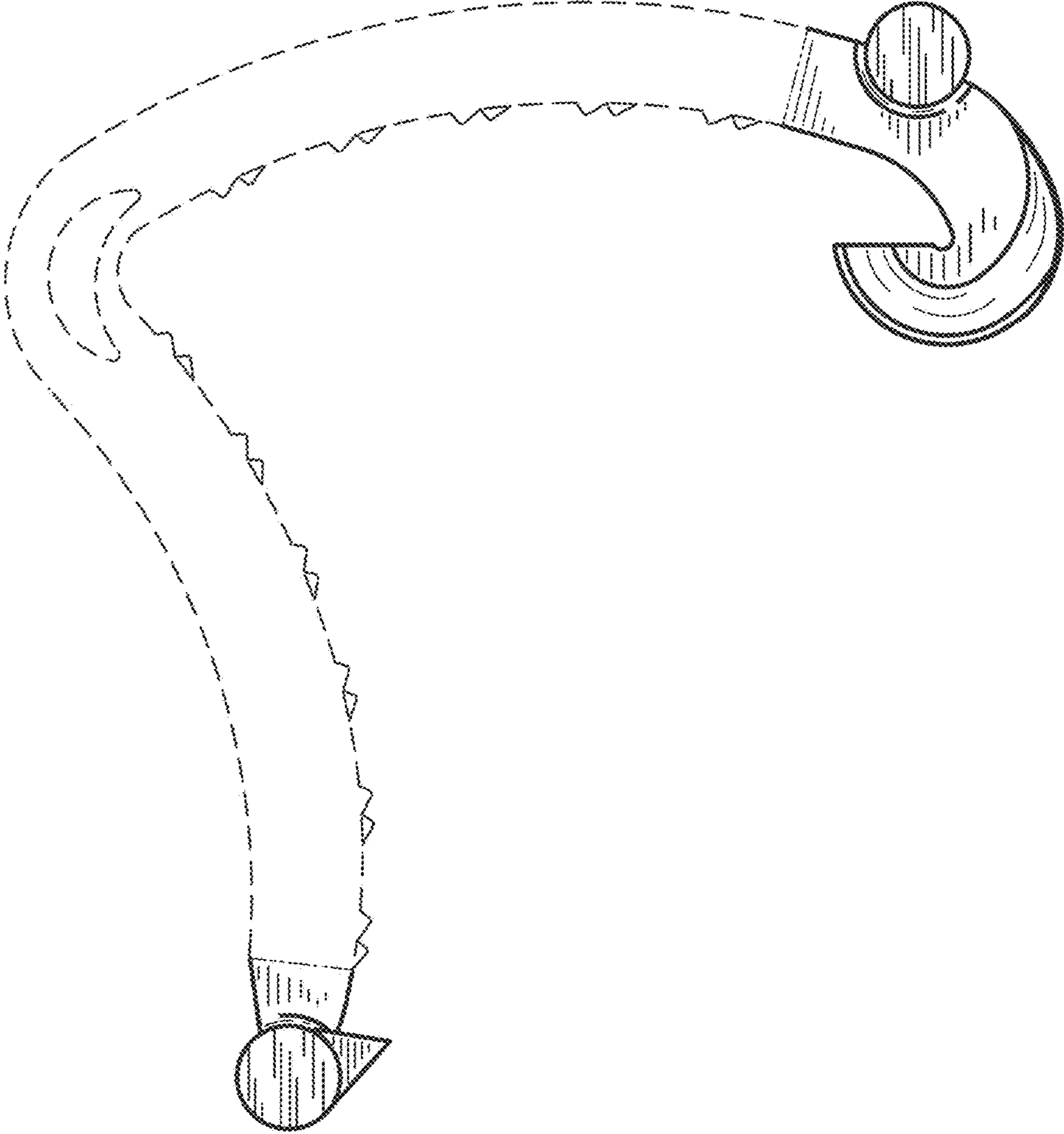


FIG. 5

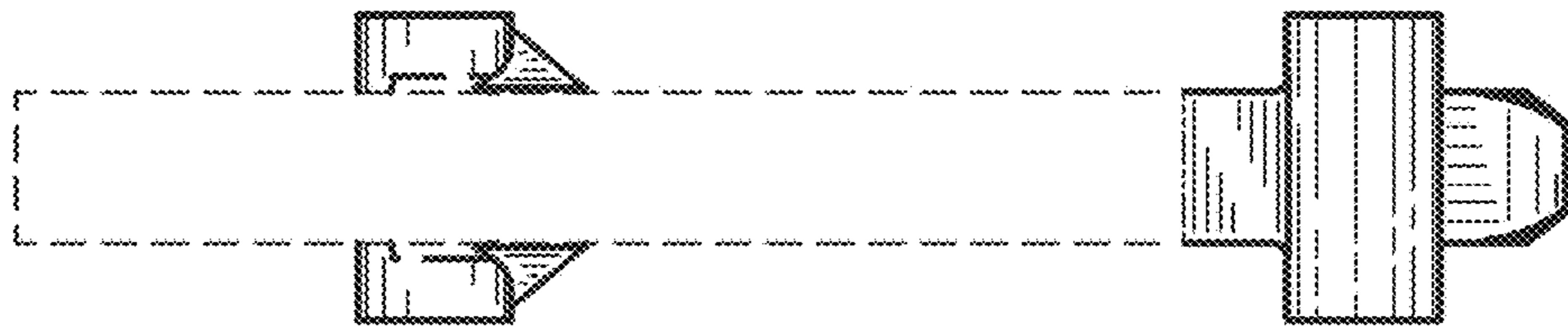


FIG. 6

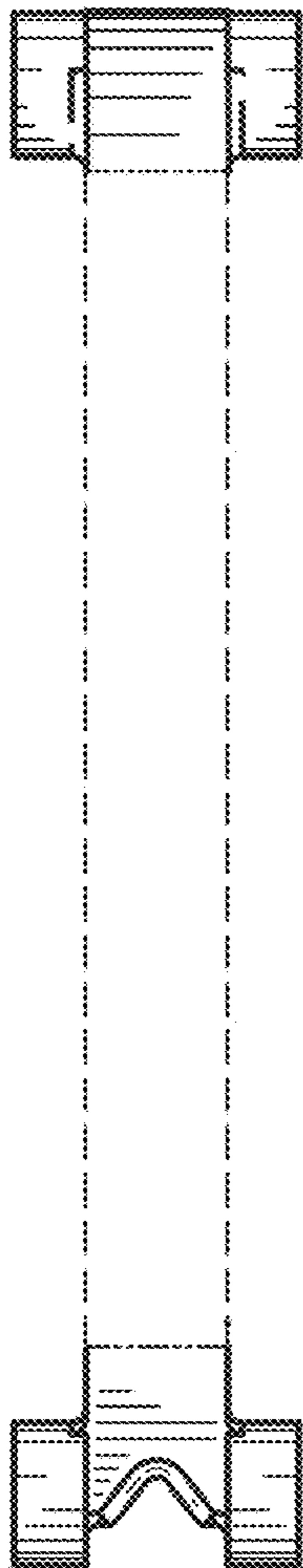


FIG. 8

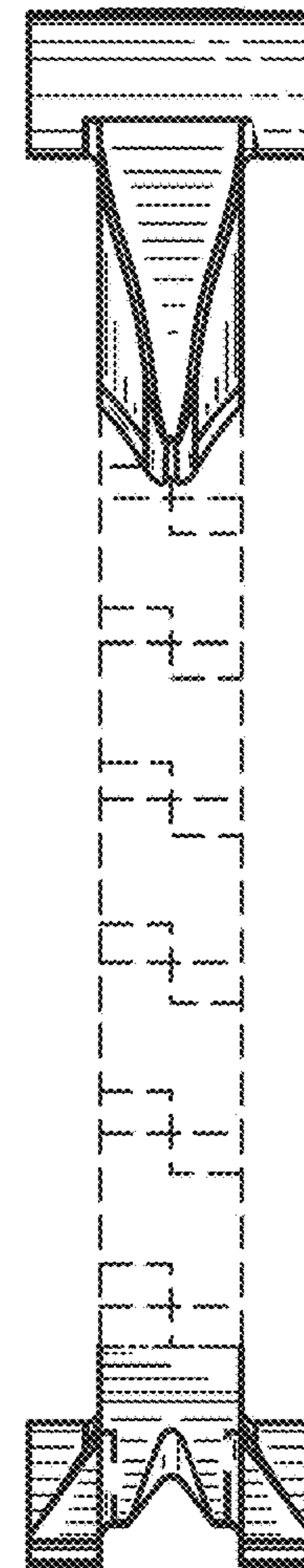


FIG. 9



FIG. 7

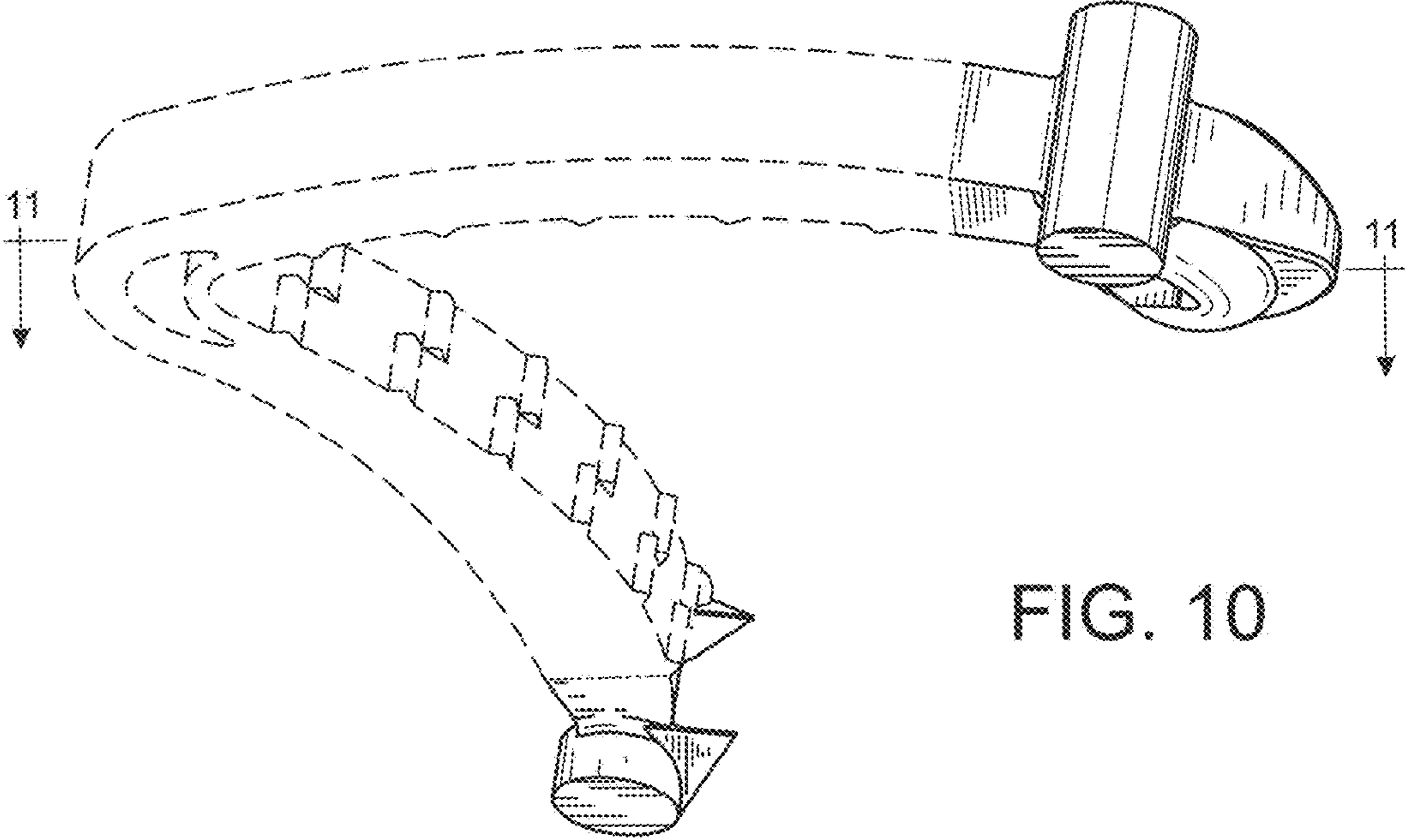


FIG. 10

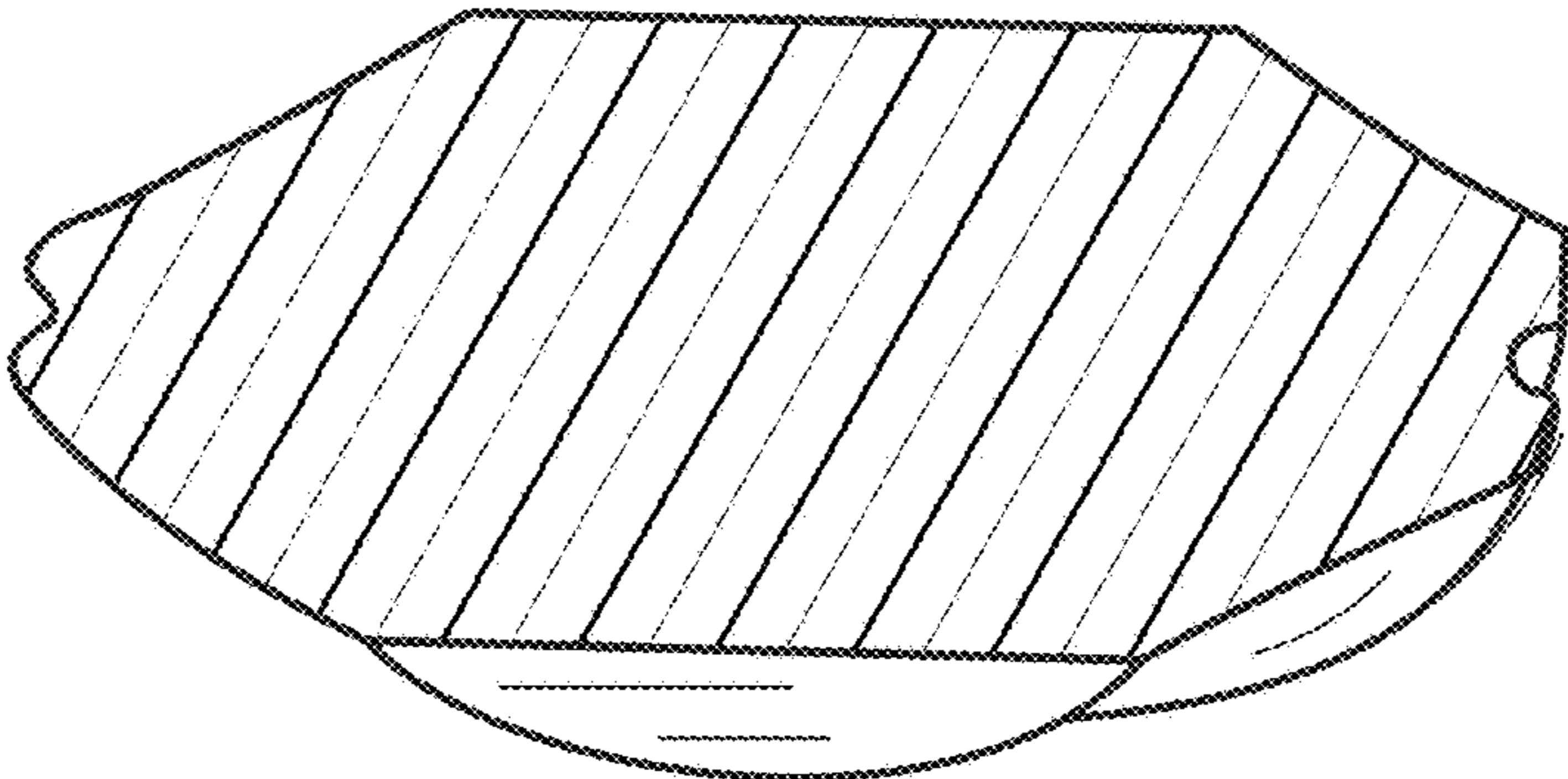


FIG. 11